

Garantía Limitada

1. DURACIÓN: Desde la fecha de compra por parte del comprador original, según se detalla: un (1) año.
2. QUIEN OTORGA ESTA GARANTÍA: EL GARANTE: Campbell Hausfeld / The Scott Fetzer Company 100 Production Drive, Harrison, Ohio 45030 Teléfono: (800) 543-6400
3. QUIEN RECIBE ESTA GARANTÍA (EL COMPRADOR): El comprador original (que no sea un revendedor) del producto Campbell Hausfeld.
4. PRODUCTOS CUBIERTOS POR ESTA GARANTÍA: Cualquier clavadora, grapadora, herramienta neumática, pistola pulverizadora, inflador o accesorio neumático suministrado o fabricado por el Garante.
5. COBERTURA DE LA GARANTÍA: Los defectos substanciales de material y fabricación que ocurran dentro del periodo de validez de la garantía.
6. LO QUE NO ESTA CUBIERTO POR ESTA GARANTÍA:
 - A. Las garantías implícitas, incluyendo aquellas de comercialidad e IDONEIDAD PARA FINES PARTICULARES, ESTÁN LIMITADOS A LO ESPECIFICADO EN EL PARRAFO DE DURACIÓN. Si este producto es empleado para uso comercial, industrial o para renta, la garantía será aplicable por noventa (90) días a partir de la fecha de compra. En algunos estados no se permiten limitaciones a la duración de las garantías implícitas; por lo tanto, en tales casos esta limitación no es aplicable.
 - B. CUALQUIER PERDIDA DAÑO INCIDENTAL, INDIRECTO O CONSECUENTE QUE PUEDA RESULTAR DE UN DEFECTO, FALLA O MALFUNCIONAMIENTO DEL PRODUCTO CAMPBELL HAUSFELD. En algunos estados no se permite la exclusión o limitación de daños incidentales o consecuentes; por lo tanto, en tales casos esta limitación o exclusión no es aplicable.
 - C. Cualquier falla que resulte de un accidente, abuso, negligencia o incumplimiento de las instrucciones de funcionamiento y uso indicadas en el (los) manual(es) que se adjuntan(n) al producto. Dichos accidentes, abusos por parte del comprador, o falta de operar el producto siguiendo las instrucciones del manual de instrucciones suministrado también debe incluir la desconexión o modificación de los instrumentos de seguridad. Si dichos instrumentos de seguridad son desconectados, la garantía quedaría cancelada.
 - D. Los ajustes normales explicados en el(los) manual(es) suministrado(s) con el producto.
 - E. Artículos o servicios normalmente requeridos para el mantenimiento del producto, tales como: anillos en O, resortes, amortiguadores, defensas, hojas de impulsor, fusibles, baterías, empaques, almohadillas o sellos, boquillas de fluido, agujas, boquillas para rociar arena, lubricantes, mangueras de material, elementos filtrantes, alabes de motores, abrasivos, hojillas, discos para cortar, círculos, retenes para círculos, controladores, collarnes, mandriles, mordazas para remachados, brocas para desarmadores, almohadillas para lijar, soportes de almohadillas, mecanismo de limpieza o cualquier otro artículo desgastable que no se haya enumerado específicamente. Estos artículos solo estarán cubiertos bajo esta garantía por noventa (90) días a partir de la fecha de compra original. Los artículos subrayados solo están garantizados por defectos de material o fabricación.
 - F. Defectos estéticos que no interfieran con la función del producto.
7. RESPONSABILIDADES DEL GARANTE BAJO ESTA GARANTÍA: Reparar o reemplazar, como lo decida el Garante, los productos o componentes que estén defectuosos, se hayan dañado o hayan dejado de funcionar adecuadamente, durante el periodo de validez de la garantía
8. RESPONSABILIDADES DEL COMPRADOR BAJO ESTA GARANTÍA:
 - A. Suministrar prueba fechada de compra y la historia de mantenimiento del producto.
 - B. Llame a Campbell Hausfeld (800-424-8936) por sus opciones de servicio incluidas en la garantía. Los costos de flete correrán por cuenta del comprador.
 - C. Seguir las instrucciones sobre operación y mantenimiento del producto, tal como se indica(n) en el (los) manual(es) del propietario
9. CUANDO EFECTUARA EL GARANTE LA REPARACION O REEMPLAZO CUBIERTO BAJO ESTA GARANTIA: La reparación o reemplazo dependerá del flujo normal de trabajo del centro de servicio y de la disponibilidad de repuestos. Esta garantía limitada es válida solo en los EE.UU., Canadá y México y otorga derechos legales específicos. Usted también puede tener otros derechos que varían de un Estado a otro, o de un país a otro.

See Warranty on page 8 for important information about commercial use of this product.

Operating Instructions and Parts Manual

PT7830

Please read and save these instructions. Read carefully before attempting to assemble, install, operate or maintain the product described. Protect yourself and others by observing all safety information. Failure to comply with instructions could result in personal injury and/or property damage! Retain instructions for future reference.

CAMPBELL HAUSFELD® Paint Tank

Description

Campbell Hausfeld paint tank is designed for large volume projects using spray guns, paint rollers and other application equipment. The tank is capable of holding 2.5 gallons of bulk paint or a 1 gallon can of paint. Basic construction of the unit consists of a heavy deep drawn one piece galvanized steel tank and die cast aluminum tank lid. The unit is equipped with a pressure regulator, gauge, safety relief valve, and air line connectors. A convenient carrying handle allows attachment of the unit to the rung of a ladder or scaffolding to facilitate elevated painting operations.

Safety Guidelines

This manual contains information that is very important to know and understand. This information is provided for SAFETY and to PREVENT EQUIPMENT PROBLEMS. To help recognize this information, observe the following symbols.

DANGER Indicates an imminently hazardous situation which, if not avoided, will result in death or serious injury.

WARNING Warning indicates a potentially hazardous situation which, if not avoided, could result in death or serious injury.

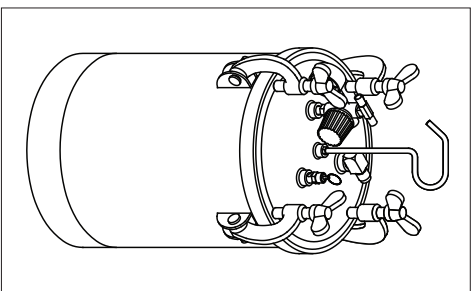
CAUTION Caution indicates a potentially hazardous situation which, if not avoided, may result in minor or moderate injury.

NOTICE Notice indicates important information, that if not followed, may cause damage to equipment.

General Safety Information

CAIFORNIA PROPOSITION 65

WARNING This product or its power cord may contain chemicals known to the State of California to cause cancer and birth defects or other reproductive harm. Wash hands after handling.



PERSONAL SAFETY

Since the paint tank and other components used, (air compressor, material pump, spray guns, filters, lubricators, hoses, etc.) make up a high pressure pumping system, the following safety precautions must be observed at all times:

1. Read all manuals included with this product carefully. Be thoroughly familiar with the controls and the proper use of the equipment.



Specifications

Capacity	Tank Dimensions	Overall Dimensions	Weight (Empty)	Maximum Working Pressure
1 Gallon can or 2.5 Gal. bulk	9.5 Inch Dia. x 9.25 Inch H	13.25 inches X 13.25 inches x 20 inches	25 lbs.	50 psi

REMINDER: Keep your dated proof of purchase for warranty purposes! Attach it to this manual or file it for safekeeping.

General Safety Information (Continued)

- Follow all local electrical and safety codes, as well as in the United States, the National Electrical Code (NEC) and the Occupational Safety and Health Act (OSHA).
- Do not pressurize tank over 50 psi.
- Do not exceed the pressure rating of any component in the system.
- Be certain that pressure regulator and safety valve are clean and in proper working order before using the paint tank.
- Be certain that the air supply line is at zero psi and pressure regulator is turned off before connecting tank to air supply.
- Make sure all feed line, brackets and spray guns are secure before turning air supply on.
- Release all pressure within the system before attempting to service any component.
- Protect material lines and air lines from damage or puncture.
- Never point a spray gun at yourself or at any other person. Accidental discharge may result in serious injury.
- Check hoses for weak or worn condition before each use, making certain that all connections are secure.
- Always shut off air pressure at source and bleed off all pressure in paint tank by gently pulling safety valve ring before loosening knobs.
- Regularly check to be sure gauge and regulator are functioning correctly. Also check that no paint or other deposits are in the safety valve inlet. In the event more than 50 psi is applied to the tank and the safety valve is clogged, the higher pressure could damage the tank or result in injury.



- Do not smoke when spraying paint, insecticides or other flammable substances.
- Use a face mask/respirator when spraying and spray in a well ventilated area to prevent health and fire hazards.
- Do not direct paint or other sprayed material at the compressor. Locate compressor as far away from the spraying area as possible to minimize overspray accumulation on the compressor.
- When spraying or cleaning with solvents or toxic chemicals, follow the instructions provided by the chemical manufacturer.

A DANGER

Failure to follow instructions on proper assembly and use of a paint tank may possibly result in damage to property or personal injury. This unit must be assembled as indicated in these instructions. Only parts supplied with this unit should be used. These parts are safety performance engineered. Use only OEM replacement components.

Assembly

NOTE: Use PTFE thread sealant tape or thread sealant on all connections.

- Assemble the regulator to the paint tank lid as shown in Figure 1:

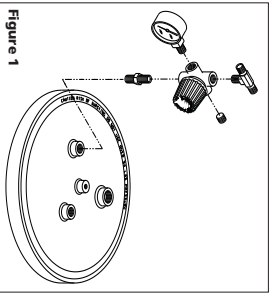


Figure 1

- With arrow pointed down and knob toward you, place the gauge in the left 1/8 NPT regulator port.
- Assemble the 1/8 NPT regulator port opposite 1/8 NPT regulator port.
- Thread the 1/4 T-fitting into the top 1/4 inch regulator port.

- Thread 1/4 inch pipe nipple into bottom 1/4 inch regulator port (with arrow).
- Thread this assembly into the 1/4 NPT port on tank lid.



NOTE: This regulator is a special pressure limiting regulator. Do not use any other type of regulator with this paint tank. Assemble the regulator to the paint tank only as instructed.

- Assemble the safety relief valve to the tank lid port.

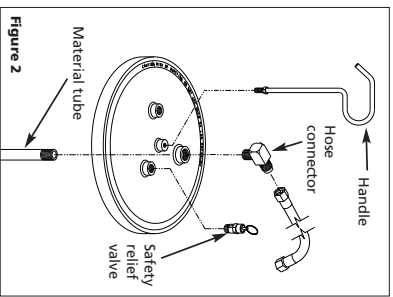


Figure 2

- Thread the handle into the center port of the tank lid.
- Install hose connector in tank lid port from the top.

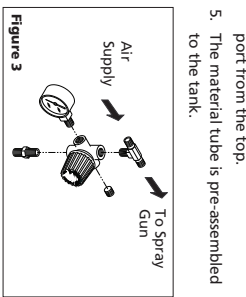


Figure 3

- The material tube is pre-assembled to the tank.

EQUIPMENT USE

TO USE A SPRAY GUN

- Attach the air supply hose (not included) to the 1/4 NPT T-fitting.
- Attach an air hose between the opposite side of the T fitting and the spray gun air inlet.

Lista de Partes de Repuestos

Si desea suministrarlos la siguiente información:
 - Número del modelo
 - Número de Serie (de haberlo)
 - Descripción y número del repuesto según la lista de repuestos

Address any correspondence to:
 Campbell Hausfeld
 Attn: Customer Service
 100 Production Drive
 Harrison, Ohio 45030

Número de Referencia	Descripción	Número del Repuesto	Cantidad
1	Mango de la tapa del tanque	PT001200AV	1
2	Valvula de seguridad de 0,6 cm (1/4 inch) NPT	V-215101AV	1
3	Conector de manguera de 0,95 cm (3/8 inch) NPS	HF180200AV	1
4	Tapa del tanque de pintura	PT282100AV	1
5	Sello de la tapa	PT282200AV	1
6	Tubo de material de 0,95 cm (3/8 inch) NPS	PT006700AV	1
7	Tanque galvanizado con etiquetas adhesivas	PT282300AV	1
8	Manómetro de 0,3 cm (1/8 inch) NPT	GA231300AV	1
9	Regulador de presión 0-3,45 bar	RE011300AV	1
10	Nipple de 0,6 cm (1/4 inch) NPT	ST016800AV	1
11	Conexión de 0,6 cm (1/4 inch) NPT	ST160100AV	1
12	Tapón de 0,3 cm (1/8 inch) NPT con dado Hex de 0,48 cm (3/16 inch)	*	1
13	Manguera de material de 0,95 cm (3/8 inch) NPS de EPDM de 4,6 M	HA633000AV	1
14	Manguera de material de 0,6 cm (1/4 inch) NPS de Plástico de 4,6 M	HA632900AV	1
15	Perno de orejetas	▲	1
16	Pestillo	▲	1
17	Pasador	▲	1
18	Anillo en E	▲	1
JUEGOS DE REPUESTOS			
▲	Juego de seguro	PT282900AV	
*	Artículo estándar de ferretería – disponible en su ferretería local		

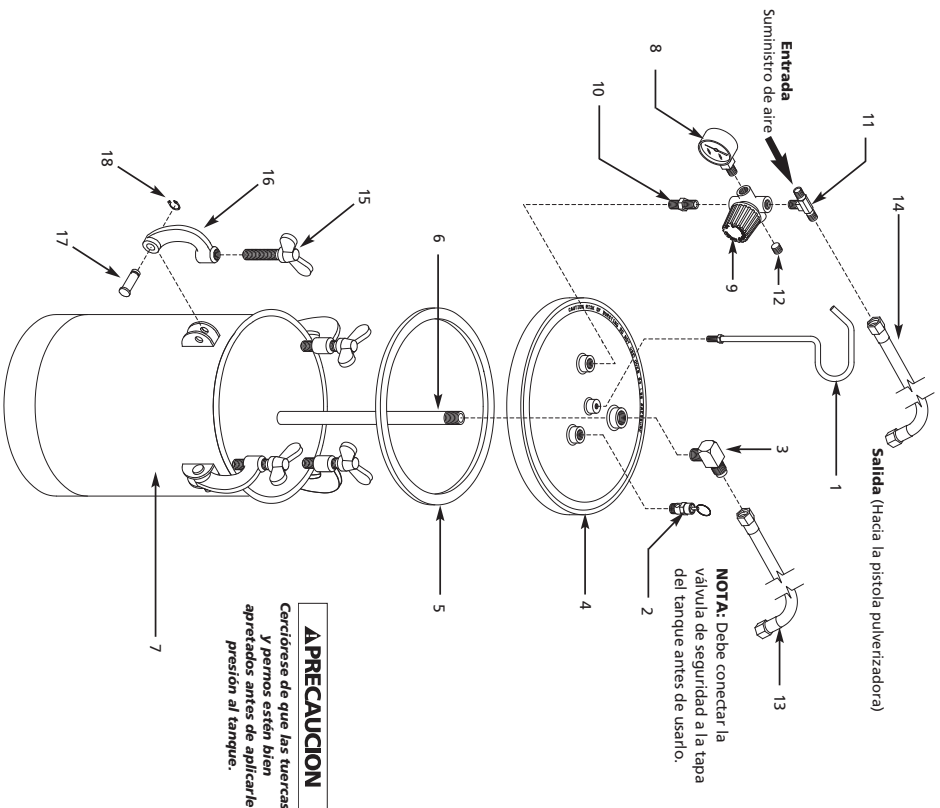
A ADVERTENCIA

Si no sigue las instrucciones para ensamblar y utilizar adecuadamente el tanque de pintura podría ocasionar daños a su propiedad o heridas personales. Esta unidad se debe ensamblar según estas instrucciones. Sólo debe utilizar las piezas suministradas con la unidad. Estas piezas están diseñadas específicamente para el buen funcionamiento de la unidad. Use sólo repuestos legítimos.

A PRECAUCION

Cerórese de que todos los pernos y tuercas estén bien apretados antes de aplicar presión al tanque.

Para Ordenar Repuestos o Asistencia Técnica, Sirvase Llamar al Distribuidor Más Cercano a Su Domicilio



PRECAUCION
Cerciórese de que las tuercas y pernos estén bien apretados antes de aplicarle presión al tanque.

NOTA: Debe conectar la válvula de seguridad a la tapa del tanque antes de usarlo.

Assembly (continued)

NOTE: A 15-ft. air hose and 15 ft. material hose between the paint tank and spray gun is recommended. Up to 25 ft. of air hose may be used between the paint tank and the compressor. A longer length may create a large pressure drop.

3. Attach a material hose between the paint tank connection and the spray gun material inlet.

CAUTION Use of a material hose that is not compatible with the solvents being used could result in damage or serious injury.

Operation

1. Before using the tank for the first time, the seal and bracket position should be established by pre-pressurizing the tank.

a. Connect the material hose to the spray gun.

b. Connect the air hose from regulator to the spray gun or cap.

c. Before filling the tank with paint material, evenly tighten the knobs so that the lid is secure and sealed.

d. Close the paint tank regulator by turning fully counterclockwise, then open the air regulator on the source to deliver air to the paint tank regulator.

e. Increase paint tank pressure by turning the knob clockwise until 30 psi reads on the tank regulator gauge.

f. Check for leaks in the system. If a fitting leaks, depressurize the tank by shutting off the air at the air source regulator and gently pulling the ring on the paint tank safety valve until air no longer hisses from it. Tighten the leaking fitting, then open the air source regulator to deliver 30 psi into the paint tank and material hose.

g. Depressurize system by shutting off air supply, then gently pull the relief valve ring to relieve the pressure in the system.

2. The tank may now be filled with material. Before filling, thoroughly mix and strain the paint to remove skins or undissolved particles which might otherwise impede the flow of material through the hose and gun. A one gallon can of paint can be set inside the tank instead of pouring the paint into the tank.

CAUTION

Never use this paint tank with materials which contain trichloroethane, chlorinated hydrocarbons, nitrohydrocarbons, esters, amines, or organic compounds. These materials will damage the gasket between the paint tank and lid. A damaged gasket may cause injury and will reduce the efficiency of the paint tank.

3. Place lid on paint tank then tighten knobs evenly and gradually.

DO NOT USE WRENCH OR PLIERS TO TIGHTEN KNOBS. HAND TIGHTEN ONLY (50 IN.LBS.)

4. Turn pressure off at the air source regulator by turning counterclockwise. Pressure gauge should read 0 psi.

5. Shut off paint tank regulator by turning counterclockwise.

SPRAY GUN OPERATION

1. Adjust air source regulator pressure required for spraying (usually between 50-70 psi).

2. Adjust paint tank regulator to 25-30 psi. More pressure is needed on the material as the gun is moved further above the tank. Normal operating on the paint tank is 25 to 30 psi. When lower pressure is needed, rotate the adjustment counterclockwise until the desired pressure setting is obtained. There is no need to trigger the gun in order to bleed off excess paint pressure.

CAUTION

Do not use over 50 psi in the tank. The sprayer may now be used to apply paint.

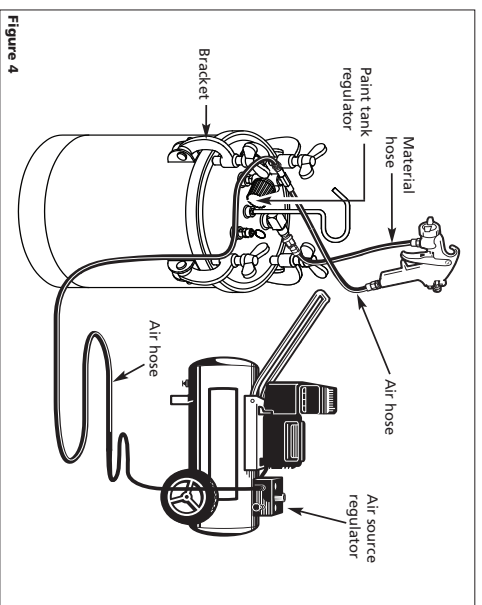


Figure 4

Figura 5 — Ilustración de los Repuestos

Maintenance

A CAUTION

Always shut off air pressure at source and bleed off all pressure in paint tank by gently pulling safety valve ring before loosening knobs to remove lid.



CLEANING

IMPORTANT: It is very important that the tank material hose and spray gun be cleaned as soon as the spray job is completed.

1. Shut off air tank at air pressure regulator by turning adjusting screw counterclockwise.
2. Gently pull safety valve ring to purge air from tank.
3. Completely cover spray gun nozzle with a soft rag and with air lines pressurized, pull trigger of the gun. This will force paint remaining in the material hose back into the tank.
4. Remove tank lid and pour any remaining paint back into original containers for future use.
5. Using a clean, dry cloth, wipe inside area of tank clean.
6. Pour about 1/2 gallon of paint solvent into the tank. Use the correct type of solvent for the paint being used: mineral spirits for oil base paint, lacquer thinner for lacquer base paints, warm soap water for latex, etc.
7. Clamp lid onto tank and proceed to spray the proper solvent through spray gun and hose.
8. Following steps 1 through 9 in this section, remove all thinner from hose.
9. Clean lip of tank groove of paint tank lid and gasket.

A CAUTION

Never use this paint tank with materials which contain trichloroethane, chlorinated hydrocarbons, nitrohydrocarbons, esters, amines, or organic compounds. These materials will damage the gasket between the paint tank and lid. A damaged gasket may cause injury and will reduce the efficiency of the paint tank.

A CAUTION

This component has been factory calibrated and sealed. Do not attempt to disassemble safety valve or after calibration.

A CAUTION

Periodically inspect the tank for leaks around the paint tank lid. If leakage occurs, remove the pint tank lid and clean lip of tank and groove in tank lid. Replace gasket.

ROUTINE

Periodically inspect the tank for leaks around the paint tank lid. If leakage occurs, remove the pint tank lid and clean lip of tank and groove in tank lid. Replace gasket.

Troubleshooting Chart

Symptom	Possible Cause(s)	Corrective Action
No material coming from tank	<ol style="list-style-type: none"> 1. Plugged hoses or material tube 2. Damaged regulator diaphragm 3. Incorrect hose connections 	<ol style="list-style-type: none"> 1. Check hoses and material tube 2. Check regulator for leaks. Replace diaphragm if necessary 3. Check connections according to instructions
Air leak at tank lid	<ol style="list-style-type: none"> 1. Damaged gasket 2. Dirty tank rim 3. Eyebolt knobs not tightened securely 	<ol style="list-style-type: none"> 1. Replace gasket 2. Clean rim 3. Check tightness. (See Operation) <p>A CAUTION Purge all air from tank before adjusting eyebolt clamps</p>

Diagnóstico de averías

Problema	Possible(s) Causa(s)	Acción a Tomar
El material no sale del tanque	<ol style="list-style-type: none"> 1. Las mangueras o el tubo de material están obstruidos 2. El diafragma del regulador está dañado 3. Las mangueras no están bien conectadas 	<ol style="list-style-type: none"> 1. Chequee las mangueras y el tubo de material 2. Chequee si el regulador tiene una fuga. Reemplace el diafragma si es necesario 3. Chequee las conexiones según las instrucciones
Hay fugas de aire en la tapa	<ol style="list-style-type: none"> 1. El empaque está dañado 2. El borde del tanque está sucio 3. Las tuercas no están bien apretadas 	<ol style="list-style-type: none"> 1. Reemplace el empaque 2. Limpie el borde 3. Cerciórese de que estén bien apretadas (Vea la sección de Fundamentación) <p>A PRECAUCION Purgue todo el aire del tanque antes de ajustar las abrazaderas</p>

Notas

Funcionamiento

(Continuación)

- Ahora podrá llenar el tanque de material. Antes de llenarlo, mezcle y cuele bien la pintura para quitarle las costras o partículas no disueltas que podrían impedir el flujo del material a través de la manguera y la pistola. Puede colocar un envase de 1 galón de pintura directamente en el tanque en vez de verter la pintura en el tanque.

PRECAUCION

Nunca use este tanque de pintura con materiales que contengan tricloroetano, cloruros de hidrocarburos, nitrohidrocarburos, éter, aminas o compuestos orgánicos. Estos materiales dañarán el empaque entre el tanque de pintura y la tapa. El empaque dañado podría ocasionarle heridas y reducirá el rendimiento del tanque de pintura.

- Coloquele la tapa al tanque de pintura y aprétele las perillas gradualmente en forma pareja.

NO USE UNA LLAVE O UN ALICATE

(PINZAS) PARA APRETAR LAS ABRAZADERAS. SOLO APRIETELAS CON LA MANO (50 PUL.G.LBS.)

- Gire el regulador de la fuente de suministro de aire en sentido contrario a las agujas del reloj, para cortar el suministro de aire. El manómetro le debe indicar 0 bar.
- Gire la perilla del regulador del tanque de pintura en sentido contrario a las agujas del reloj, para cerrarlo.

FUNCIONAMIENTO DE LA PISTOLA PULVERIZADORA

- Ajuste el regulador de la fuente de suministro de aire a la presión requerida para rociar (generalmente entre 3,45 a 4,83 bar).

- Ajuste el regulador del tanque de pintura a una presión de 1,72 a 2,07 bar. El material necesitará más presión a medida que suba la pistola sobre la altura del tanque. La presión normal de trabajo del tanque de pintura es de 1,72 a 2,07 bar. Si requiere una presión inferior, gire la perilla del regulador en sentido contrario a las agujas del reloj hasta alcanzar la presión deseada. No tendrá que oprimir el gatillo para liberar el exceso de presión en la pintura.

PRECAUCION

La presión del tanque nunca debe exceder 3,45 bar.

Ahora podrá comenzar a rociar pintura.

Mantenimiento

PRECAUCION

Siempre cierre el suministro de aire en la fuente de suministro (el compresor) y hable con cuidado el anillo de la válvula de seguridad para purgar toda la presión del tanque, antes de aflojar la abrazadera para desatraparlo.



LIMPIEZA

IMPORTANTE: Es muy importante que limpie la manguera de material del tanque y la pistola pulverizadora tan pronto como termine de rociar.

- Para cerrar el suministro de aire al tanque, gire el tornillo de ajuste en sentido contrario a las agujas del reloj.
- Con cuidado hále el anillo de la válvula de seguridad para liberar el aire en el tanque.
- Cubra completamente la boquilla de la pistola pulverizadora con un trapo suave y una vez que haya presión en las líneas de aire, oprima el gatillo de la pistola. Esto hará que la pintura que haya en la manguera se regrese al tanque.
- Quitele la tapa al tanque y vierta la pintura que sobró en el envase original para usarla posteriormente.
- Limpie el interior del tanque con un trapo limpio y seco.

PRECAUCION

Nunca use este tanque de pintura con materiales que contengan tricloroetano, cloruros de hidrocarburos, nitrohidrocarburos, éter, aminas o compuestos orgánicos. Estos materiales dañarán el empaque entre el tanque de pintura y la tapa. El empaque dañado podría ocasionarle heridas y reducirá el rendimiento del tanque de pintura.

- Vierta más o menos 1/2 galón de solvente de pintura en el tanque. Use el tipo adecuado de solvente para la pintura que vaya a usar: aguarrás para pinturas a base de aceite, thinner para pinturas a base de laca, agua tibia enjabonada para pinturas látex, etc.

- Coloquele la tapa al tanque y comience a rociar el solvente adecuado a través de la pistola pulverizadora y la manguera.

- Después de completar los pasos del 1 al 9 de esta sección, saquele todo el thinner a la manguera.

- Limpie el borde de la ranura del tanque de pintura y el empaque.

PARA LIMPIAR LA VALVULA DE SEGURIDAD Saque la válvula de seguridad y límpiele el orificio periódicamente. Las acumulaciones de pintura en el orificio pueden evitar que la válvula funcione adecuadamente. No desarme la válvula ni la reajuste.

PRECAUCION

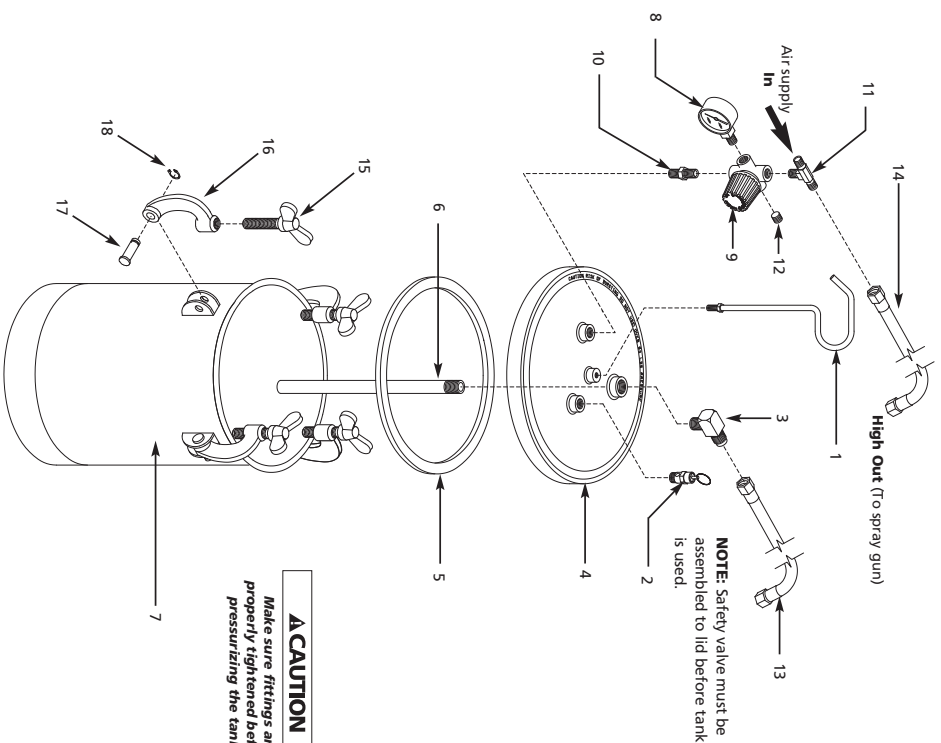
Este componente viene calibrado y sellado de fábrica. No trate de desarmarlo o reajustar la válvula de seguridad.

RUTINA

Períódicamente revise el tanque para ver si hay fugas en la tapa. De haberlas, quitele la tapa y limpie el tanque y las ranuras. Reemplácelo el empaque.

Notes

For Replacement Parts or Technical Assistance, call 1-800-543-6400



NOTE: Safety valve must be assembled to lid before tank is used.

CAUTION
Make sure fittings are properly tightened before pressurizing the tank.

Figure 5 — Replacement Parts Illustration

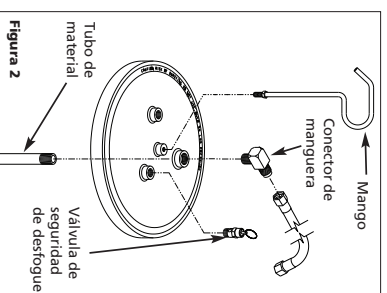


Figura 2

1. Conecte la válvula de salida de seguridad al orificio de la tapa del tanque.
2. Enrosque el mango en el orificio en el centro de la tapa del tanque.
3. Conecte el conector de la manguera al orificio en la parte superior de la tapa.
4. El tubo de material viene conectado al tanque.

USOS PARA USAR UNA PISTOLA PULVERIZADORA

1. Conecte la manguera de suministro de aire (no se incluye) a la conexión en T de 1/4 NPT.
2. Conecte una manguera de aire entre el lado opuesto de la conexión en T y la entrada de aire de la pistola pulverizadora.

NOTA: Le recomendamos que utilice una manguera de aire y una manguera de material de 4,6 metros cada una, entre el tanque de pintura y la pistola pulverizadora. Puede utilizar una manguera de aire de hasta 7,6 metros entre el tanque de pintura y el compresor. Si utiliza una manguera más larga podría ocasionar una pérdida de presión.

3. Conecte la manguera de material (entre el tanque de pintura y la entrada de la pistola pulverizadora).

PRECAUCION Si usa una manguera de material que no sea compatible con los solventes usados podría ocasionar daños o heridas de gravedad.

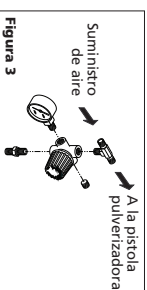


Figura 3

Funcionamiento

1. Antes de usar el tanque por primera vez, deberá aplicarle presión para fijar la posición del sello y la abrazadera.
 - a. Conecte la manguera de material a la pistola pulverizadora.
 - b. Conecte la manguera de aire al regulador y a la pistola pulverizadora o la tapa.
 - c. Antes de llenar el tanque de pintura, apriete todas las abrazaderas para que la tapa esté bien segura y cerrada.
2. Gire el regulador completamente en sentido contrario a las agujas del reloj, para cerrarlo, después abra el regulador de aire de la fuente de suministro (el compresor) para suministrarle aire al regulador del tanque de pintura.
3. Para aumentar la presión del tanque de pintura, gire la perilla en el mismo sentido de las agujas del reloj hasta que el manómetro del regulador del tanque le indique 2,07 bar.
4. Cerciórese de que no hayan fugas de aire. Si hay fugas en las conexiones, cierre el regulador de la fuente de suministro de aire para cortar este y hable cuidadosamente el anillo de la válvula de seguridad del tanque hasta que cese de escuchar el silbido que le indica que está saliendo aire. Apriete bien la conexión que tenía la fuga y después abra el regulador de la fuente de suministro para suministrarle 2,07 bar al tanque de pintura y a la manguera de material.
5. Para liberar la presión del sistema, corte el suministro de aire y hable cuidadosamente el anillo de la válvula de destruye.

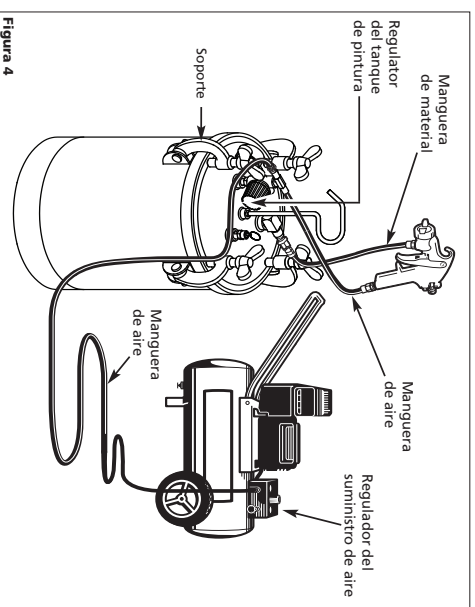


Figura 4

Informaciones Generales de Seguridad

PROPOSICIÓN DE CALIFORNIA 65

A ADVERTENCIA Este producto, o su cordón eléctrico, puede contener productos químicos conocidos por el estado de California como causantes de cáncer y defectos de nacimiento u otros daños reproductivos. Lave sus manos después de usar.

SEGURIDAD PERSONAL

Como el tanque de pintura compresor de aire y otros componentes usados (compresor de aire, cabezal, pistolas pulverizadoras, filtros, lubricadores, mangueras, etc.), forman parte de un sistema de bombeo de alta presión, deberá seguir las siguientes medidas de seguridad todo el tiempo:

1. Lea con cuidado todos los manuales incluidos con este producto. Familiarícese con los controles y el uso adecuado del equipo.



2. Siga todos los códigos de seguridad laboral y electricidad establecidos en su país, por ejemplo, los de la NEC y OSHA en EE.UU.

3. La presión del tanque no debe exceder 3,45 bar.

4. No exceda la presión indicada en ninguno de los componentes del sistema.

5. Cerciórese de que el regulador de presión y la válvula de seguridad estén limpios y en buenas condiciones, antes de utilizar el tanque de pintura.

6. Cerciórese de que la línea de suministro de aire esté en cero bar y de que el regulador de presión esté apagado, antes de conectar el tanque a la fuente de suministro de aire.

7. Cerciórese de que todas las líneas de suministro, soportes y pistolas pulverizadoras estén bien conectadas, antes de encender la fuente de suministro de aire.

8. Libere toda la presión del sistema antes de tratar de darle servicio a cualquier componente.

9. Proteja las mangueras de material y de aire contra daños o roturas.

10. Nunca apunte la pistola Ud. o ninguna otra persona. El hacerle podría ocasionarle heridas graves.

11. Chequee las mangueras a ver si están desgastadas o rotas antes de cada uso; cerciórese de que todas las conexiones estén bien apretadas.

12. Siempre cierre el suministro de aire y libere toda la presión del tanque de pintura halándole el anillo de la válvula de seguridad antes de aflojar las perillas.

13. Chequee el manómetro y el regulador frecuentemente para cerciorarse de que estén funcionando correctamente. Igualmente, cerciórese de que no hayan residuos de pintura u otros materiales en la entrada de la válvula de seguridad. Si le aplica más de 3,45 bar de presión al tanque y la válvula de seguridad está obstruida, la alta presión podría dañar el tanque u ocasionarle heridas.

A ADVERTENCIA

Nunca rocíe materiales inflamables cerca de llamas al descubierto o fuentes de ignición, incluyendo el compresor.



14. No fume mientras esté rociando pintura, insecticidas u otras sustancias inflamables.

15. Use una máscara/respirador cuando vaya a rociar y siempre rodee en un área bien ventilada para evitar peligros de salud e incendios.



16. Nunca rocíe la pintura y otros materiales, directamente hacia el compresor. Coloque el compresor lo más lejos posible del área de trabajo, para minimizar la acumulación de residuos en el compresor.

17. Al rociar o limpiar con solventes o químicos tóxicos, siga las instrucciones del fabricante de dichos químicos.

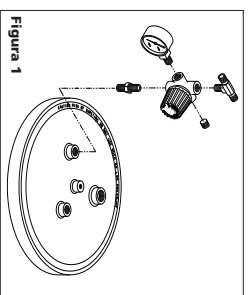
A PELIGRO

Si no sigue las instrucciones para ensamblar y utilizar adecuadamente el tanque de pintura o heridas personales. Esta unidad se debe ensamblar según estas instrucciones. Solo debe utilizar las piezas suministradas con la unidad. Estas piezas están diseñadas específicamente para el buen funcionamiento de la unidad. Use sólo repuestos legítimos.

Ensamblaje

NOTA: Use cinta selladora de rosca de PTFE o sellador de rosca en todas las conexiones.

1. Conecte el regulador a la tapa del tanque de pintura tal como se indica en la figura 1:



- a. Con la flecha apuntando hacia abajo y la perilla hacia usted, coloque el manómetro en el orificio/regulador de 0,3 cm (1/8 inch) NPT de la izquierda.
- b. Ensamble el tapón de 0,3 cm (1/8 inch) en el orificio regulador opuesto de 0,3 cm (1/8 inch) NPT.
- c. Enrosque la conexión en T de 0,6 cm (1/4 inch) en el orificio regulador superior de 0,6 cm (1/4 inch).
- d. Enrosque el niple de la tubería de 0,6 cm (1/4 inch) en el orificio regulador inferior de 0,6 cm (1/4 inch) (que tiene la flecha).
- e. Enrosque este ensamblaje en el orificio de 0,6 cm (1/4 inch) NPT que se encuentra en la tapa del tanque.

NOTA: Este es un regulador especial para controlar la presión. No use ningún otro tipo de regulador con este tanque de pintura. Siga las instrucciones para conectar el regulador al tanque de pintura.

Replacement Parts List

Please provide following information:

- Model number
- Serial number (if any)
- Part description and number as shown in parts list

Address any correspondence to:
Campbell Hausfeld
Attn: Customer Service
100 Production Drive
Harrison, Ohio 45030

Reference Number	Description	Part Number	Quantity
1	Tank lid handle	PT001200AV	1
2	1/4 inch NPT Safety valve	V-215101AV	1
3	3/8 inch NPS Hose connector	HF180200AV	1
4	Paint tank lid	PT282100AV	1
5	Lid seal	PT282200AV	1
6	3/8 inch NPS Material tube	PT006700AV	1
7	Galvanized tank with decals	PT282300AV	1
8	1/8 inch NPT Pressure gauge	GA231300AV	1
9	0-50 psi Pressure regulator	RE011300AV	1
10	1/4 inch NPT Pipe nipple	ST016800AV	1
11	1/4 inch NPT T Fitting	ST160100AV	1
12	1/8 inch NPT Plug with 3/16 inch Hex socket	*	1
13	3/8 inch NPS SBR-NR 15' Material hose	HA633000AV	1
14	1/4 inch NPS PVC 15' Air hose	HA632900AV	1
15	Wing bolt	▲	1
16	Latch	▲	1
17	Pin	▲	1
18	E-rring	▲	1
REPLACEMENT PARTS KITS			
▲	Latch kit	PT282900AV	
* Standard hardware item - available at your local hardware store			

A WARNING This unit must be assembled as indicated in these instructions. Only those parts supplied with this unit should be used. These parts are safety and performance engineered for this paint tank. Use only OEM replacement components.

A CAUTION Make sure fittings are properly tightened before pressurizing the tank.

Limited Warranty

1. **DURATION:** From the date of purchase by the original purchaser as follows: One (1) Year.
 2. **WHO GIVES THIS WARRANTY (WARRANTOR):** Campbell Hausfeld / Scott Fetzer Company, 100 Production Drive, Harrison, Ohio, 45030. Telephone: (800) 543-6400
 3. **WHO RECEIVES THIS WARRANTY (PURCHASER):** The original purchaser (other than for purposes of resale) of the Campbell Hausfeld product.
 4. **WHAT PRODUCTS ARE COVERED BY THIS WARRANTY:** Any Campbell Hausfeld nailer, stapler, air tool, spray gun, inflator or air accessory supplied or manufactured by Warranty.
 5. **WHAT IS COVERED UNDER THIS WARRANTY:** Substantial defects in material and workmanship which occur within the duration of the warranty period.
 6. **WHAT IS NOT COVERED UNDER THIS WARRANTY:**
 - A. Implied warranties, including those of merchantability and fitness for a PARTICULAR PURPOSE ARE LIMITED FROM THE DATE OF ORIGINAL PURCHASE AS STATED IN THE DURATION. If this product is used for commercial, industrial or rental purposes, the warranty will apply for ninety (90) days from the date of purchase. Some States do not allow limitation on how long an implied warranty lasts, so the above limitations may not apply to you.
 - B. ANY INCIDENTAL, INDIRECT, OR CONSEQUENTIAL LOSS, DAMAGE, OR EXPENSE THAT MAY RESULT FROM ANY EXCLUSION OR LIMITATION OF INCIDENTAL OR CONSEQUENTIAL DAMAGES, so the above limitation or exclusion may not apply to you.
 - C. Any failure that results from an accident, purchaser's abuse, neglect or failure to operate products in accordance with instructions provided in the owner's manual(s) supplied with product. Accident, purchaser's abuse, neglect or failure to operate products in accordance with instructions shall also include the removal or alteration of any safety devices. If such safety devices are removed or altered, this warranty is void.
 - D. Normal adjustments which are explained in the owner's manual(s) provided with the product.
 - E. Items or service that are normally required to maintain the product, i.e. o-rings, springs, bumpers, debris shields, driver blades, fuses, batteries, gaskets, packings or seals, fluid nozzles, needles, sandblast nozzles, lubricants, material hoses, filter elements, motor vanes, abrasives, blades, cut-off wheels, chisels, chisel retainers, cutters, collets, chucks, rivet jaws, screw driver bits, sanding pads, back-up pads, impact mechanism, or any other expendable part not specifically listed. These items will only be covered for ninety (90) days from date of original purchase. Underlined items are warranted for defects in material and workmanship only.
 7. **RESPONSIBILITIES OF WARRANTOR UNDER THIS WARRANTY:** Repair or replace, at Warrantor's option, products or components which are defective, have malfunctioned and/or failed to conform within duration of the warranty period.
 8. **RESPONSIBILITIES OF PURCHASER UNDER THIS WARRANTY:**
 - A. Provide dated proof of purchase and maintenance records.
 - B. Call Campbell Hausfeld (800-424-8936) to obtain your warranty service options. Freight costs must be borne by the purchaser.
 - C. Use reasonable care in the operation and maintenance of the products as described in the owner's manual(s).
 9. **WHEN WARRANTOR WILL PERFORM REPAIR OR REPLACEMENT UNDER THIS WARRANTY:** Repair or replacement will be scheduled and serviced according to the normal work flow at the servicing location, and depending on the availability of replacement parts.
- This Limited Warranty applies in the United States, Canada and Mexico only and gives you specific legal rights. You may also have other rights which vary from state to state or country to country.

Ver la Garantía en página 24 para información importante sobre el uso comercial de este producto.

Manual de Instrucciones y Lista de Piezas

PT2830

Siempre leer y guardar estas instrucciones. Lea con cuidado antes de tratar de armar, instalar, manejar o darle servicio al producto descrito en este manual. Protéjase Ud. y a los demás observando todas las reglas de seguridad. El no seguir las instrucciones podría resultar en heridas y/o daños a su propiedad. Guarde este manual como referencia.

CAMPBELL HAUSFELD® Tanque de Pintura

Descripción

Tanque de pintura Campbell Hausfeld está diseñado para usarse en proyectos de alto volumen donde se usen pistolas pulverizadoras, rodillos y otros equipos para aplicar pintura. La capacidad de este tanque es 2,5 galones o le puede colorear directamente una envase de pintura de 1 galón.

Este tanque está hecho por medio del estampado profundo de una pieza de acero galvanizado y tiene una tapa de aluminio moldeado. Igualmente, viene equipada con regulador de presión, manómetro, válvula de seguridad de destoque, y conectores. El mango de la unidad le permite colgarla al escalón de una escalera o andamio para facilitarle la tarea de pintar superficies altas.

Para Desempacar

Al desempacar este producto, revíselo con cuidado para cerciorarse de que esté en perfecto estado. Igualmente, cerciórese de apretar todos los pernos, tuercas y conexiones, antes de usarlo.

A ADVERTENCIA

No debe utilizar la unidad si se ha dañado durante el envío, manejo o uso. Los daños podrían ocasionar una explosión y ocasionar heridas o daños a su propiedad.

Medidas de Seguridad

Este manual contiene información que es muy importante que sepa y comprenda. Esta información se la suministramos como medida de SEGURIDAD y para EVITAR PROBLEMAS CON EL EQUIPO. Debe reconocer los siguientes símbolos.

A PELIGRO

Esto le indica que hay una situación inmediata que LE OCASIONARÍA la muerte o heridas de gravedad.

A ADVERTENCIA

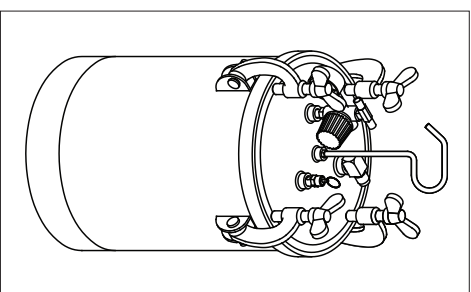
Esto le indica que hay una situación que PODRÍA ocasionarle la muerte o heridas de gravedad.

A PRECAUCION

Esto le indica que hay una situación que PODRÍA ocasionarle heridas no muy graves.

AVISO

Esto le indica una información importante, que de no seguirla, le podría ocasionar daños al equipo.



Especificaciones

Capacidad	Dimensiones del anque interior	Dimensiones Totales	Peso (Vacio)	Presión Máxima de Trabajo
1 envase de 1 Galón o 2,5 Gal. de pintura	24,13 cm Dia. x 23,5 cm (9,5 inch Dia. x 9,25 inch H)	33,66 x 33,66 x 50,8 cm (13,25 inch x 13,25 inch x 20 inch)	11,34 Kg.	3,45 bar

RECORDATORIO: ¡Guarde su comprobante de compra con fecha para fines de la garantía!

Adjúntela a este manual o archívala en lugar seguro.

Garantie Limitée

1. DURÉE : De la date d'achat par l'acheteur original comme suit : un (1) an.
 2. GARANTIE ACCORDÉE PAR (GARANT): Campbell Hausfeld/Scott Fetzer Company, 100 Production Drive, Harrison, Ohio, 45030. Téléphone: (800) 543-6400
 3. BÉNÉFICIAIRE DE CETTE GARANTIE (ACHETEUR): L'acheteur original (sauf en cas de revente) du produit Campbell Hausfeld.
 4. PRODUITS COUVERTS PAR CETTE GARANTIE: Tous les outils de fixation (clousseus et agrafeseus), outils pneumatiques, pistolets vaporisateurs, gonfleurs ou accessoires pneumatiques Campbell Hausfeld qui sont fournis par ou fabriqués par le Garant.
 5. COUVERTURE DE LA PRÉSENTE GARANTIE: Défauts de matière et de fabrication considérables qui se révèlent pendant la période de validité de la garantie.
 6. LA PRÉSENTE GARANTIE NE COUvre PAS:
 - A. Les garanties implicites, y compris celles de commercialisabilité et D'ADAPTION À UNE FONCTION PARTICULIÈRE SONT LIMITÉES À PARTIR DE LA DATE D'ACHAT INITIALE TELLE QU'INDIQUÉE DANS LA SECTION DURÉE. Si ce produit est utilisé pour une fonction commerciale, industrielle ou pour la location, la durée de la garantie sera quatre-vingt-dix (90) jours à compter de la date d'achat. Quelques Provinces (États) n'autorisent pas de limitations de durée pour les garanties implicites. Les limitations précédentes peuvent donc ne pas s'appliquer.
 - B. TOUT DOMMAGE, PERTE OU DENISE FORTUIT OU INDIRECT POUVANT RÉSULTER DE TOUT DÉFAUT, PANNE OU MAUVAIS FONCTIONNEMENT DU PRODUIT CAMPBELL HAUSFELD. Quelques Provinces (États) n'autorisent pas l'exclusion ni la limitation des dommages fortuits ou indirects. La limitation ou exclusion précédente peut donc ne pas s'appliquer.
 - C. Toute panne résultant d'un accident, d'une utilisation abusive, de la négligence ou d'une utilisation ne respectant pas les instructions données dans le(s) manuel(s) accompagnant le produit. Un accident, l'utilisation abusive par l'acheteur, la négligence ou le manque de faire fonctionner les produits selon les instructions comprend aussi l'enlèvement ou la modification de n'importe quel appareil de sûreté. Si ces appareils de sûreté sont enlevés ou modifiés, la garantie sera annulée.
 - D. Réglages normaux qui sont expliqués dans le(s) manuel(s) d'utilisation accompagnant le produit.
 - E. Articles ou services qui sont exigés pour l'entretien du produit: Joints torique, ressorts, amortisseurs, écrans de débris, lames d'entraînement, fusibles, batteries, joints d'étanchéité, garnitures ou joints, buses de fluide, aiguilles, buses de sablage, graisses, tuyaux de matériel, cartouches filtrantes, pales de moteur, abrasifs, lames, meules de coupe, burnins, fixe-burnins, coupeuses, douilles de serrage, mandrins, machoires de rivet, lames de tournevis, tampons de sablage, tampons de sauvegarde, mécanisme de percusion ou toute pièce qui n'est pas indispensable et qui n'est pas indiquée. Ces articles seront couverts pour quatre-vingt-dix (90) jours à partir de la date d'achat original. Les articles soulignés sont garantis pour défauts de matière et de fabrication seulement.
 - F. Les défauts concrets que n'ont pas d'effet sur le fonctionnement de l'appareil.
 7. RESPONSABILITÉS DU GARANT AUX TERMES DE CETTE GARANTIE: Réparation ou remplacement, au choix du Garant, des produits ou pièces qui se sont révélés défectueux pendant la durée de validité de la garantie.
 8. RESPONSABILITÉS DE L'ACHETEUR AUX TERMES DE CETTE GARANTIE:
 - A. Fournir une preuve d'achat datée et un état d'entretien.
 - B. Appelez Campbell Hausfeld (800-424-8936) pour obtenir vos options de service sous garantie. Les frais de transport sont la responsabilité de l'acheteur.
 - C. Utilisation et entretien du produit avec un soin raisonnable, ainsi que le décrit(vent) le(s) manuel(s) d'utilisation.
 9. RÉPARATION OU REMPLACEMENT EFFECTUÉ PAR LE GARANT AUX TERMES DE LA PRÉSENTE GARANTIE: La réparation ou le remplacement sera prévu et exécuté en fonction de la charge de travail dans le centre de service et dépendra de la disponibilité des pièces de rechange.
- Cette Garantie Limitée s'applique aux É.-U., au Canada et au Mexique seulement et vous donne des droits juridiques précis. L'acheteur peut également jouir d'autres droits qui varient d'une Province, d'un État ou d'un Pays à l'autre.

Voir la Garantie à la page 16 pour de l'information importante sur l'utilisation commerciale de ce produit.

Instructions d'Utilisation et Manuel de Pièces

PT7830

Si vous plâtz lire et conserver ces Instructions. Lire attentivement avant de monter, installer, utiliser ou de procéder à l'entretien du produit décrit. Se protéger ainsi que les autres en observant toutes les instructions de sécurité, sinon, il y a risque de blessure et/ou dégâts matériels. Conserver ces Instructions comme référence.

CAMPBELL HAUSFELD®

Réservoir À Peinture

Description

Campbell Hausfeld réservoir à peinture est conçu pour les projets larges utilisant les pistolets pulvérisateurs, rouleaux et autre équipement. La capacité du réservoir est 2,5 gallons de peinture. Une boîte de peinture (1 gallon) peut être placée directement dans le réservoir.

La fabrication du modèle comprend un réservoir en acier galvanisé profond d'une pièce et couvercle de réservoir en aluminium coulé sous pression. Le modèle est équipé avec un régulateur de pression, manomètre, soupape de sûreté et raccords de canalisations d'air. Une poignée convenable permet l'attachement du modèle à l'échelon d'une échelle ou à l'échafaudage pour faciliter les travaux de peinture aux élévations.

Déballage

Lors du déballage, l'examiner soigneusement pour rechercher toute trace de dommage susceptible de s'être produit en cours de transport. Serrer tous raccords, boulons, etc., avant d'utiliser le modèle.

AAVERTISSEMENT *Ne pas utiliser un modèle qui a été endommagé pendant le transport, la manipulation ou l'utilisation. Le dommage peut résulter en explosion et peut causer des blessures ou dégâts matériels.*

Directives de Sécurité

Ce manuel contient de l'information très importante qui est fournie pour la SÉCURITÉ et pour ÉVITER LES PROBLÈMES D'ÉQUIPEMENT. Recherchez les symboles suivants pour cette information.

A DANGER *Danger Indique une situation hasardeuse imminente qui RÉSULTERA en perte de vie ou blessures graves.*

AAVERTISSEMENT *Avertissement indique une situation hasardeuse potentielle qui PEUT résulter en perte de vie ou blessures graves.*

A ATTENTION *Attention indique une situation hasardeuse potentielle qui PEUT résulter en blessures.*

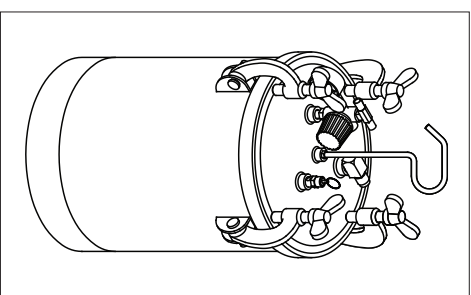
AVIS *Avis*

de l'information importante pour éviter le dommage de l'équipement.

Généralités sur la Sécurité

PROPOSITION 65 CALIFORNIE

AAVERTISSEMENT *Ce produit ou son cordon peuvent contenir des produits chimiques qui, de l'avis de l'État de Californie, causent le cancer et des anomalies congénitales ou autres problèmes de reproduction. Lavez-vous les mains après la manipulation.*



SÉCURITÉ PERSONNELLE

Puisque le compresseur d'air et les autres pièces détachées (pompe, pistolets, filtres, graisseurs, tuyaux, etc.) font partie d'un système de haute pression, il est nécessaire de suivre les précautions suivantes:

1. Lire attentivement tous manuels compris avec ce produit. Se familiariser avec ce produit, ses commandes et son utilisation.



Spécifications

Capacité	Dimension du Réservoir à l'intérieur	Dimension Générale	Poids (Vide)	Pression de Service Maximum
Boîte d'1 gallon ou 2,5 gal. en volume	24,13 cm Dia. x 23,5 cm (9,5 po Dia. x 9,25 po H)	33,66 x 33,66 x 50,8 cm (13,25 po x 13,25 po x 20 po)	11,34 Kg	344,75 kPa

MÉMENTO : Gardez votre preuve datée d'achat à fin de la garantie. Joignez-la à ce manuel ou classez-la dans un dossier pour plus de sécurité.

Généralités sur la Sécurité (Suite)

2. Suivre tous les codes électriques et de sécurité ainsi que le National Electrical Code (NEC) et dans les États-Unis, le Occupational Safety and Health Act (OSHA).
3. Ne pas pressuriser le réservoir plus que 344,75 kPa.
4. Ne pas dépasser la classification de pression de n'importe quelle pièce détachée du système.
5. Assurer que le régulateur de pression et la soupape de sécurité soient propres et en bon état de marche avant d'utiliser le réservoir à peinture.
6. Assurer que la ligne d'alimentation d'air est à zéro kPa et que le régulateur de pression n'est pas en marche avant de brancher le réservoir à la source d'air.
7. Assurer que tous les lignes d'alimentation, supports et pistolets pulvérisateurs sont sûrs avant d'alimenter en air.
8. Dissiper toute la pression du système avant de procéder à l'entretien de n'importe quelle pièce.
9. Protéger les tuyaux de matériaux contre le dommage ou la perforation.
10. Ne jamais diriger un pistolet vers soi-même ni vers une autre personne. Le déchargement peut causer des blessures graves.
11. Inspecter les tuyaux pour la faiblesse ou l'usure avant chaque utilisation et assurer que les raccords soient sûrs.
12. Toujours couper la pression d'air à la source et purger toute la pression du réservoir en tirant soigneusement sur l'anneau de la soupape de sécurité avant de desserrer les boutons.
13. Vérifier la fonction du régulateur et du manomètre régulièrement. Inspecter l'arrivée de la soupape de sécurité pour la peinture ou autre encrassement. Si plus que 344,75 kPa est utilisé et si la soupape de sécurité est obstruée, la haute pression peut endommager le réservoir et peut causer des blessures.

⚠️ Avertissement



Ne pas pulvériser des matériaux inflammables près d'aluminium y compris le compresseur.

14. Ne pas fumer pendant la pulvérisation de la peinture, d'insecticides ou autre produit inflammable.
15. Utiliser un masque / respirateur pendant la pulvérisation et pulvériser dans un endroit bien ventilé afin d'éviter les hasards de santé et d'incendie.
16. Ne jamais diriger la peinture ou autres matériaux vers le compresseur. Situer le compresseur aussi loin de l'endroit de pulvérisation que possible afin d'éliminer la sur-pulvérisation sur le compresseur.
17. Suivre les instructions du fabricant de produit chimique pendant la pulvérisation ou le nettoyage avec les solvants ou produits chimiques toxiques.



⚠️ DANGER

Manque de suivre les instructions concernant le montage et l'utilisation d'un réservoir à peinture peut résulter en dégât matériel ou blessure personnelle. Ce modèle doit être monté selon ces instructions. Utiliser seulement les pièces qui sont fournies avec ce modèle. Ces pièces sont fabriquées en qualité d'ingénieur pour la sécurité et le rendement. Utiliser seulement les pièces de rechange OEM.

Montage

REMARQUE: Utilisez le ruban d'étanchéité de filage de PTFE, ou l'enduit d'étanchéité de fillet, sur toutes les connexions.

1. Monter le régulateur au couvercle du réservoir à peinture comme indiqué sur la Figure 1:

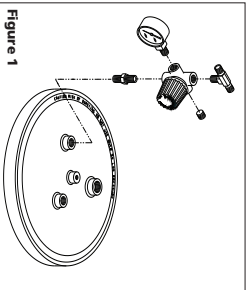


Figure 1

10 Ft

- Avec la flèche pointant vers le bas et le bouton vers soi, placer la jauge dans l'orifice du régulateur de 0,3 cm (1/8 po) NPT gauche.
- Assembler la tige de 0,3 cm (1/8 po) dans l'orifice du régulateur de 0,3 cm (1/8 po) NPT opposé.
- Visser le raccord de 0,6 cm (1/4 po) T dans l'orifice du régulateur de 0,6 cm (1/4 po) supérieur.
- Visser le mameion du tuyau de 0,6 cm (1/4 po) dans l'orifice du régulateur de 0,6 cm (1/4 po) (avec la flèche).
- Visser cet assemblage dans l'orifice de 0,6 cm (1/4 po) NPT sur le couvercle du réservoir.

REMARQUE: Ce régulateur est un régulateur à limiteur de pression spécialisé. Ne pas utiliser un autre type de régulateur avec ce réservoir à peinture. Monter le régulateur au réservoir à peinture seulement selon les instructions.

2. Monter la soupape de sécurité à l'orifice du couvercle de réservoir (Voir Figure 2).

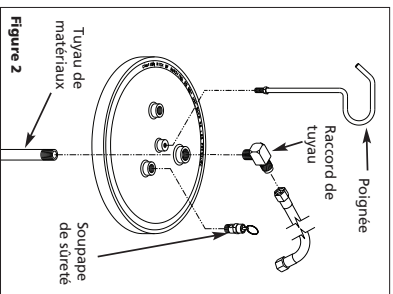


Figure 2

3. Traiter la poignée dans l'orifice central du couvercle de réservoir.
4. Installer le raccord de tuyau flexible dans l'orifice du couvercle de réservoir du haut (Voir Figure 2).
5. Le tuyau flexible de matériaux est monté d'avance à l'orifice # 1.

USAGE DE L'ÉQUIPEMENT PISTOLET PULVÉRISATEUR

1. Fixer le boyau d'alimentation d'air (non inclus) au raccord de 0,6 cm (1/4 po) NPT.

Liste de Pièces Detachées

Si/ nous plaît fournir l'information suivante:

- Numéro de modèle
- Numéro de série (si présent)
- Description et numéro de la pièce

Correspondance :
Campbell Hausfeld
Attn: Customer Service
100 Production Drive
Harrison, Ohio 45030

Numéro de Référence	Description	Numéro de Pièce	Quantité
1	Poignée du couvercle de réservoir	PT001200AV	1
2	Soupape de sécurité, 0,6 cm (1/4 po) NPT	V-215101AV	1
3	Raccord de tuyau, 0,95 cm (3/8 po) NPS	HF180200AV	1
4	Couvercle du réservoir à peinture	PT282100AV	1
5	Joint étanche du couvercle	PT282200AV	1
6	Tuyau flexible de matériaux, 0,95 cm (3/8 po) NPS	PT006700AV	1
7	Réservoir galvanisé avec décalques	PT282300AV	1
8	Manomètre, 0,3 cm (1/8 po) NPT	GA231300AV	1
9	Régulateur de pression, 0 - 344,75 kPa	RE011300AV	1
10	Mameion de tuyau, 0,6 cm (1/4 po) NPT	ST016800AV	1
11	Raccord de 0,6 cm (1/4 po) NPT T	ST160100AV	1
12	Bouchon, 0,3 cm (1/8 po) NPT avec tête creuse hexagonale, 0,48 cm (3/16 po)	*	1
13	Tuyau flexible de matériaux de 4,6 M, 0,95 cm (3/8 po) NPS EPDM	HA633000AV	1
14	Tuyau flexible de matériaux de 4,6 M, 0,6 cm (1/4 po) NPS Plastique	HA632900AV	1
15	Boulon à oreilles	▲	1
16	Loquet	▲	1
17	Goupille	▲	1
18	Bague en E	▲	1
NECESSAIRES DE PIÈCES DE RECHANGE			
▲	Trousse de verrou	PT282900AV	
*	Article normal de quincaillerie - disponible à votre quincaillerie locale		

⚠️ Avertissement

Ce modèle doit être monté selon ces instructions. Utiliser seulement les pièces fournies avec ce modèle. Ces pièces sont fabriquées pour ce réservoir à peinture en qualité d'ingénieur pour la sécurité et le rendement. Utiliser seulement les pièces de rechange OEM.

⚠️ Attention

Assurer que les écrous et boulons soient bien serrés avant de pressuriser le réservoir.

15 Ft

Pour pièces de recharge ou assistance technique, appeler 1-800-543-6400

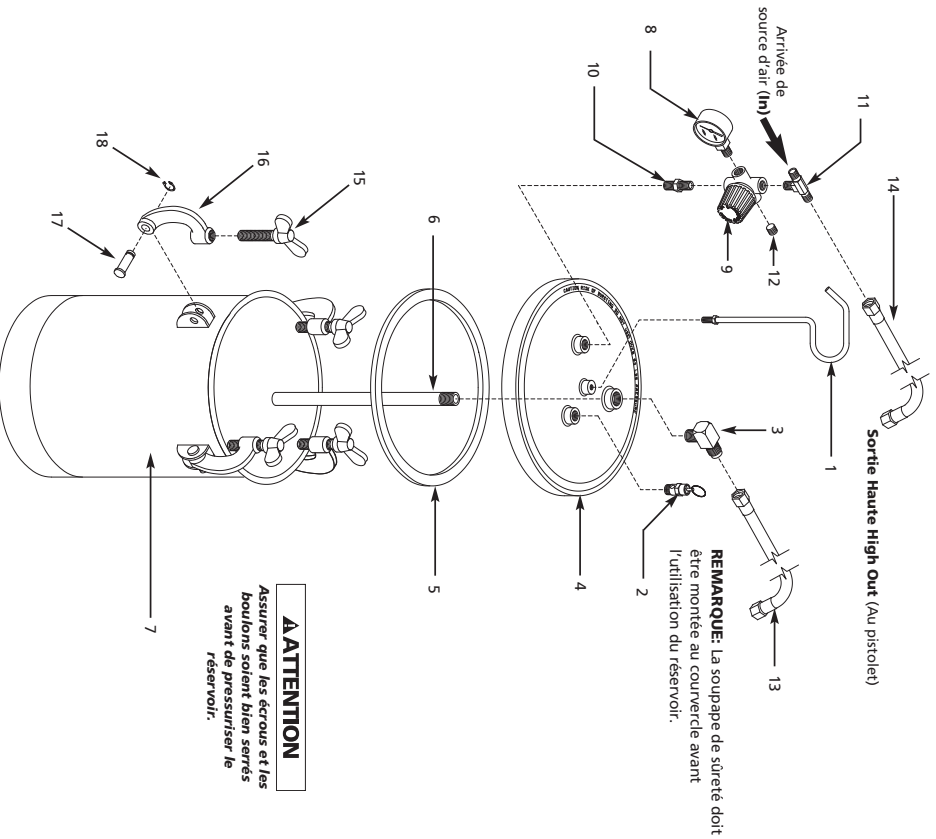


Figure 5 — Illustration de Pièces Detachees

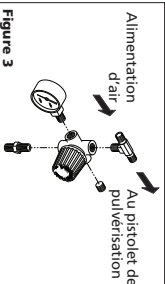


Figure 3

Montage (suite)

- Fixer un boyau d'air entre le côté opposé du raccord en T et l'arrivée d'air du pistolet de pulvérisation.
- REMARQUE:** Il est recommandé d'utiliser un tuyau à air de 4,6 mètres et un tuyau de matériaux de 4,6 mètres entre le réservoir et le pistolet. Un tuyau à air de jusqu'à 7,6 mètres peut être utilisé entre le réservoir à peinture et le compresseur. Un tuyau plus long peut causer une perte de pression.
- Brancher un tuyau flexible de matériaux entre le raccord du réservoir à peinture et l'arrivée de matériaux du pistolet pulvérisateur.

ATTENTION

L'utilisation d'un tuyau flexible de matériaux qui n'est pas compatible avec le solvant utilisé peut causer du dommage ou des blessures graves.

Fonctionnement

- Avant le premier usage, pressuriser le réservoir d'avance afin d'établir la position du joint et du support.
 - Brancher le tuyau flexible de matériaux au pistolet.
 - Brancher le tuyau à air du régulateur au pistolet ou au bouchon.
 - Bien serrer les boutons du couvercle également avant de remplir le réservoir avec la peinture.
 - Fermer le régulateur du réservoir à peinture en tournant complètement à la gauche, et ensuite ouvrir le régulateur d'air de la source pour fournir de l'air au régulateur du réservoir à peinture.
 - Augmenter la pression du réservoir à peinture en tournant le bouton à la droite jusqu'à ce que le manomètre du régulateur de réservoir indique 206,85 kPa.

f. Vérifier pour des fuites dans le système. S'il y a une fuite dans un raccord, dépressuriser le réservoir en coupant l'air au régulateur de la source d'air et en tirant doucement sur l'anneau de la soupape de sécurité du réservoir à peinture jusqu'à ce que l'air ne s'échappe plus. Serrer le raccord et ouvrir le régulateur de la source d'air à 206,85 KPa dans le réservoir à peinture et tuyau flexible de matériaux.

- Depressuriser le système en coupant la source d'air, et ensuite en tirant doucement sur l'anneau de la soupape de sécurité afin de soulager la pression dans le système.
- Le réservoir peut être rempli avec le matériel. Avant de remplir, assurer de mélanger et de tamiser la peinture pour enlever la peau ou autres particules qui peuvent obstruer le débit de matériel à travers le tuyau et le pistolet. Une boîte de peinture d'un gallon peut être placée dans le réservoir.
- Couper le régulateur du réservoir à peinture et serrer les boutons graduellement et également.
- Placer le couvercle sur le réservoir à peinture et serrer les boutons graduellement et également.

ATTENTION

Ne jamais utiliser ce réservoir à peinture avec des matériaux qui contiennent le triéthylamine (TEA), les diisocyanates, les isocyanates, les amines, ou matériaux organiques. Ces matériaux peuvent endommager le joint d'étanchéité entre le réservoir à peinture et le couvercle. Un joint endommagé peut causer des blessures et peut réduire le bon fonctionnement du réservoir à peinture.

N'UTILISEZ PAS UNE CLE OU DES PINCES POUR SERRER LES BOUTONS; SERRER À LA MAIN (50 P-LB)

- Couper la pression au régulateur de la source d'air en tournant à la gauche. Le manomètre devrait indiquer 0 kPa.

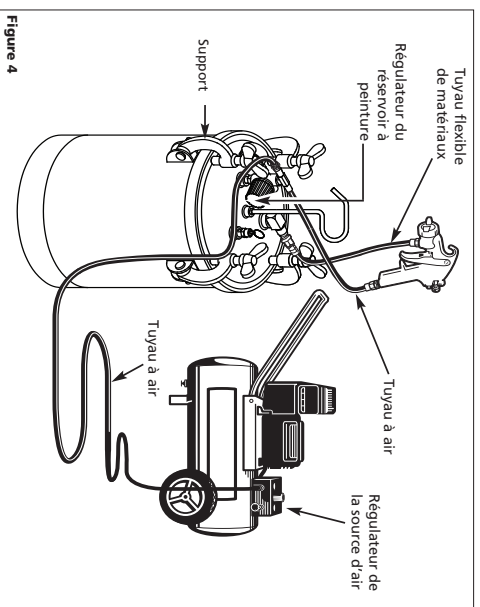


Figure 4

