

## Lista de Repuestos

Sírvase darnos la siguiente información:  
 - Número del modelo  
 - Número de serie (de haberlo)  
 - Descripción y número del repuesto según la lista.

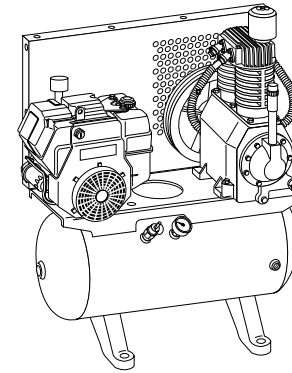
Puede escribirnos a:  
 Parts Department  
 100 Production Drive  
 Harrison, OH 45030 U.S.A.

| No. de Ref. | Descripción   | Número del repuesto |            | Ctd |
|-------------|---|---------------------|------------|-----|
|             |   | TF214800            | TF214700   |     |
| 1           | Motor   | NG010700AV          | NG003900AV | 1   |
| 2           | Cabezal para compresores de aire                                  | CI070000PD          | CI070000PD | 1   |
| 3           | Tanque  | TP015000CG          | TP015000CG | 1   |
| 4           | Tapa de las bandas (frontal)                                      | BG300900AV          | BG300900AV | 1   |
| 5           | Tapa de las bandas (posterior)                                    | BG305100AV          | BG305100AV | 1   |
| 6           | tubo de escape  | TF061800AP          | TF061800AP | 1   |
| 7           | Válvula de seguridad  | V-215200AV          | V-215200AV | 1   |
| 8           | Manómetro de 20,69 bar, 6,4 mm (1/4") NPT                         | —                   | —          | 1   |
| 9           | Llave de drenaje de 9,5 mm (3/8") NPT                             | ST127700AV          | ST127700AV | 1   |
| 10          | Conexión a compresión de 3,2 mm (1/8") MNPT x 6,4 mm (1/4") T 90° | ST081601AV          | —          | 1   |
| 11          | Niple de 12, mm (1/2 NPT) x 5,08 cm (2")                          | ST049200AV          | ST049200AV | 1   |
| 12          | Descargador   | ST128408AV          | ST128408AV | 1   |
| 13          | Ensamblaje de tuerca de compresión de 19,1 mm (3/4") & casquillo  | ST072321AV          | ST072321AV | 1   |
| 14          | Tubo de descarga  | ST117806AV          | —          | 1   |
| 15          | Regulador   | CV221900AV          | CV006411AV | 1   |
| 16          | Tornillo #14 x 9,5 mm (3/8")                                      | ST073270AV          | ST073270AV | 15  |
| 17          | Tornillo 7,9 mm (5/16") - 12 x 19,1 mm (3/4")                     | ST016500AV          | ST016500AV | 6   |
| 18          | Banda   | BT010800AV          | BT010800AV | 1   |
| 19          | Polea del motor   | PU009770AV          | PU009776AV | 1   |
| 20          | Perno de 11,1 mm (7/16") - 14 x 3,81 cm (1 1/2")                  | ST070645AV          | ST070645AV | 4   |
| 21          | Arandela de 11,1 mm (7/16")                                       | ST070916AV          | ST070916AV | 4   |
| 22          | Tuerca de 11,1 mm (7/16") - 14                                    | ST070729AV          | ST070729AV | 4   |
| 23          | Tornillo hex de 9,5 mm (3/8") - 24                                | ST070638AV          | ST070638AV | 4   |
| 24          | Arandela de 9,5 mm (3/8")   | ST070916AV          | ST070916AV | 12  |
| 25          | Tuerca de seguridad de 9,5 mm (3/8") - 24                         | ST033500AV          | ST033500AV | 4   |
| 26          | Arandela de 7,9 mm (5/16")  | ST011200AV          | ST011200AV | 2   |
| 27          | Base para instalar el motor                                       | TF064800KK          | TF064800KK | 1   |
| 28          | Perno hex de 9,5 mm (3/8")-16 x 19,1 mm (3/4")                    | ST070640AV          | ST070631AV | 4   |
| 29          | Abrazadera de la tapa protectora de banda                         | BG210000AV          | BG210000AV | 1   |
| 30          | Tornillo 6,4 mm (1/4") - 20 x 19,1 mm (3/4")                      | ST074415AV          | ST074415AV | 1   |
| 31          | Tornillo #14 x 19,1 mm (3/4")                                     | ST073265AV          | ST073265AV | 1   |
| 32          | Chaveta   | KE001304AV          | KE001304AV | 1   |
| 33          | Base en cruz  | BG208804AJ          | BG208805AJ | 1   |
| 34          | Perno de la base en cruz  | ST085401AV          | ST070674AV | 1   |
| 35          | Soporte   | TF067900AV          | TF067900AV | 1   |
| 36          | Acoplador   | HF203300AV          | HF203300AV | 2   |
| 37          | Manómetro   | GA016705AV          | GA016705AV | 1   |
| 38          | Manómetro   | GA016709AV          | GA016709AV | 1   |
| 39          | Regulador   | WL017601AV          | WL017601AV | 1   |
| 40          | Tornillo Torx 1/4 - 20 x 6,4 mm (1/2")                            | ST071626AV          | ST071626AV | 2   |
| 41          | Tubo  | WL021400AV          | WL021400AV | 1   |
| 42          | Codo  | ST119704AV          | ST119704AV | 2   |

## Gasoline Engine Air Compressor Compresseur d'Air Avec un Moteur À Essence Compresores de Aire a Gasolina

### Replacement Parts List Liste de Pièces de Rechange Lista de Repuestos

CI11G030HB, CI12G030HB, CI12G030HP, CI13G030HP,  
 EX800600, TF214700, TF214800, EX123000



### Specifications

| Model      | Engine HP | Engine Brand | Type Start | Compressor RPM | Displacement CFM | Delivery CFM | Max PSI | Tank Capacity | Dimensions L W H | Unit Weight |
|------------|-----------|--------------|------------|----------------|------------------|--------------|---------|---------------|------------------|-------------|
| CI11G030HB | 11        | Honda        | 12 Volt    | 1020           | 31.4             | 25.1         | 175     | 30 Gal.       | 42" 19" 48"      | 530 Lbs.    |
| CI12G030HB | 12.5      | Kohler       | 12 Volt    | 1020           | 31.4             | 25.1         | 175     | 30 Gal.       | 42" 19" 48"      | 520 Lbs.    |
| CI12G030HP | 12.5      | Kohler       | 12 Volt    | 1020           | 31.4             | 25.1         | 175     | 30 Gal.       | 42" 19" 48"      | 520 Lbs.    |
| CI13G030HP | 13        | Honda        | 12 Volt    | 1020           | 31.4             | 25.1         | 175     | 30 Gal.       | 42" 19" 48"      | 540 Lbs.    |
| EX800600   | 13        | Honda        | 12 Volt    | 1020           | 31.4             | 25.1         | 175     | 30 Gal.       | 42" 19" 48"      | 540 Lbs.    |
| TF214700   | 13        | Honda        | 12 Volt    | 1020           | 31.4             | 25.1         | 175     | 30 Gal.       | 42" 19" 48"      | 540 Lbs.    |
| TF214800   | 12.5      | Kohler       | 12 Volt    | 1020           | 31.4             | 25.1         | 175     | 30 Gal.       | 42" 19" 48"      | 520 Lbs.    |
| EX123000   | 12.5      | Kohler       | 12 Volt    | 1020           | 31.4             | 25.1         | 175     | 30 Gal.       | 42" 19" 48"      | 520 Lbs.    |

### Spécifications

| Modèle     | Moteur Hp | Marque de Moteur | Démarrageur | Compresseur tr/min. | Dépl. m3/min | Débit m3/min | kPa Max. | Capacité Réservoir | Dimensions (cm) Long. Larg. Haut. | Poids du Modèle |
|------------|-----------|------------------|-------------|---------------------|--------------|--------------|----------|--------------------|-----------------------------------|-----------------|
| CI11G030HB | 11        | Honda            | 12 Volt     | 1020                | 0,89         | 0,71         | 1207     | 113,6 L            | 106,7 48,3 122                    | 240,4 Kg        |
| CI12G030HB | 12,5      | Kohler           | 12 Volt     | 1020                | 0,89         | 0,71         | 1207     | 113,6 L            | 106,7 48,3 122                    | 235,9 Kg        |
| CI12G030HP | 12,5      | Kohler           | 12 Volt     | 1020                | 0,89         | 0,71         | 1207     | 113,6 L            | 106,7 48,3 122                    | 235,9 Kg        |
| CI13G030HP | 13        | Honda            | 12 Volt     | 1020                | 0,89         | 0,71         | 1207     | 113,6 L            | 106,7 48,3 122                    | 244,9 Kg        |
| EX800600   | 13        | Honda            | 12 Volt     | 1020                | 0,89         | 0,71         | 1207     | 113,6 L            | 106,7 48,3 122                    | 244,9 Kg        |
| TF214700   | 13        | Honda            | 12 Volt     | 1020                | 0,89         | 0,71         | 1207     | 113,6 L            | 106,7 48,3 122                    | 244,9 Kg        |
| TF214800   | 12,5      | Kohler           | 12 Volt     | 1020                | 0,89         | 0,71         | 1207     | 113,6 L            | 106,7 48,3 122                    | 235,9 Kg        |
| EX123000   | 12,5      | Kohler           | 12 Volt     | 1020                | 0,89         | 0,71         | 1207     | 113,6 L            | 106,7 48,3 122                    | 235,9 Kg        |

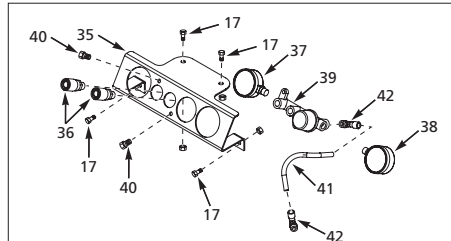
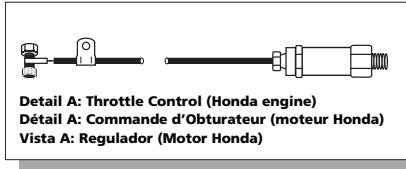
### Specifications

| Modelo     | CP del motor | Marca del motor | Voltaje | RPM del compresor | Despl. m3/min | Suministro m3/min | Bar Máx. | Cap. del tanque | Dimensiones (cm) Long. Anch. Alt. | Peso de la unidad |
|------------|--------------|-----------------|---------|-------------------|---------------|-------------------|----------|-----------------|-----------------------------------|-------------------|
| CI11G030HB | 11           | Honda           | 12 Volt | 1020              | 0,89          | 0,71              | 12,07    | 113,6 L         | 106,7 48,3 122                    | 240,4 Kg          |
| CI12G030HB | 12,5         | Kohler          | 12 Volt | 1020              | 0,89          | 0,71              | 12,07    | 113,6 L         | 106,7 48,3 122                    | 235,9 Kg          |
| CI12G030HP | 12,5         | Kohler          | 12 Volt | 1020              | 0,89          | 0,71              | 12,07    | 113,6 L         | 106,7 48,3 122                    | 235,9 Kg          |
| CI13G030HP | 13           | Honda           | 12 Volt | 1020              | 0,89          | 0,71              | 12,07    | 113,6 L         | 106,7 48,3 122                    | 244,9 Kg          |
| EX800600   | 13           | Honda           | 12 Volt | 1020              | 0,89          | 0,71              | 12,07    | 113,6 L         | 106,7 48,3 122                    | 244,9 Kg          |
| TF214700   | 13           | Honda           | 12 Volt | 1020              | 0,89          | 0,71              | 12,07    | 113,6 L         | 106,7 48,3 122                    | 244,9 Kg          |
| TF214800   | 12,5         | Kohler          | 12 Volt | 1020              | 0,89          | 0,71              | 12,07    | 113,6 L         | 106,7 48,3 122                    | 235,9 Kg          |
| EX123000   | 12,5         | Kohler          | 12 Volt | 1020              | 0,89          | 0,71              | 12,07    | 113,6 L         | 106,7 48,3 122                    | 235,9 Kg          |

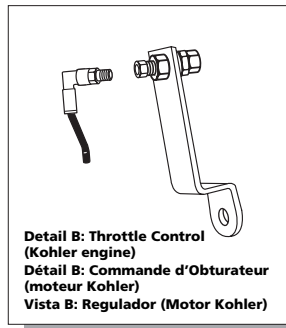
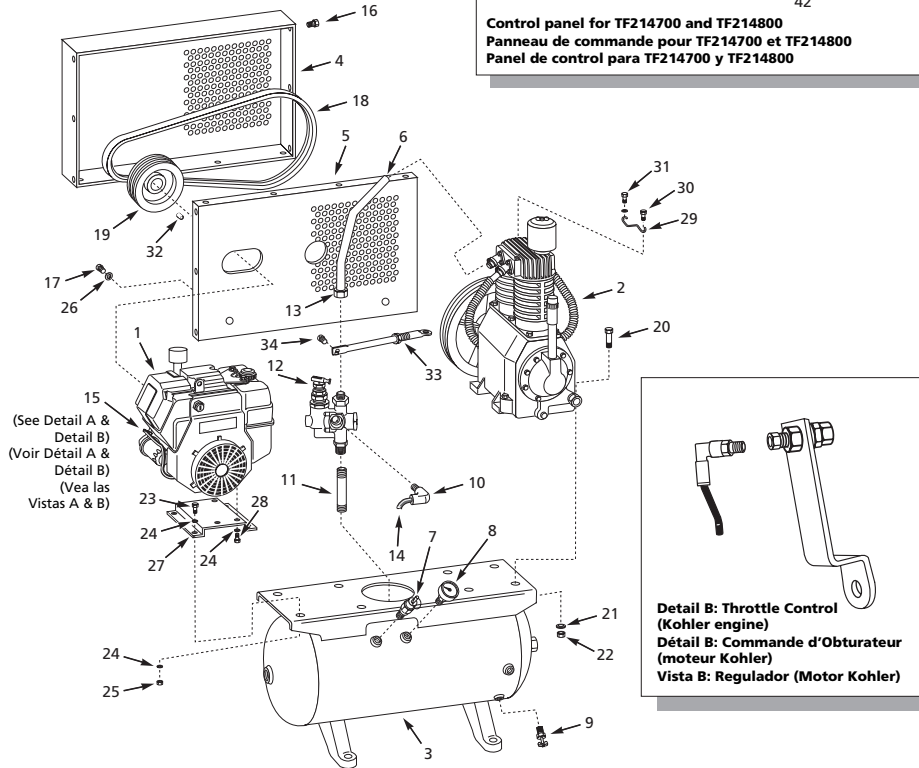
**For Replacement Parts, call 1-800-543-6400**

**Pour Pièces de Rechange, Appeler 1-800-543-6400**

**Para ordenar repuestos, comuníquese con el distribuidor más cercano a su domicilio**



**Control panel for TF214700 and TF214800**  
**Panneau de commande pour TF214700 et TF214800**  
**Panel de control para TF214700 y TF214800**



**Lista de Repuestos**

Sírvase darnos la siguiente información:  
 - Número del modelo  
 - Número de serie (de haberlo)  
 - Descripción y número del repuesto según la lista.

Puede escribirnos a:  
 Parts Department  
 100 Production Drive  
 Harrison, OH 45030 U.S.A.

| No. de Ref. | Descripción   | CI11G030HB | EX123000<br>CI12G030HB | Número del repuesto<br>CI12G030HP | CI13G030HP  | EX800600   | Ctd |
|-------------|---|------------|------------------------|-----------------------------------|-------------|------------|-----|
| 1           | Motor   | NG004600AV | NG010700AV             | NG010700AV                        | NG003900AV  | NG003900AV | 1   |
| 2           | Cabezal para compresores de aire                                  | CI070000PD | CI070000PD             | CI070000PP                        | CI070000BPP | CI070000PD | 1   |
| 3           | Tanque  | TP015000CG | TP015000CG             | TP015000CG                        | TP015000CG  | TP015000CG | 1   |
| 4           | Tapa de las bandas (frontal)                                      | BG300900AV | BG300900AV             | BG300900AV                        | BG300900AV  | BG300900AV | 1   |
| 5           | Tapa de las bandas (posterior)                                    | BG305100AV | BG305100AV             | BG305100AV                        | BG305100AV  | BG305100AV | 1   |
| 6           | Tubo de escape  | TF061800AP | TF061800AP             | TF061800AP                        | TF061800AP  | TF061800AP | 1   |
| 7           | Válvula de seguridad  | V-215200AV | V-215200AV             | V-215200AV                        | V-215200AV  | V-215200AV | 1   |
| 8           | Manómetro de 20,69 bar, 6,4 mm (1/4") NPT                         | GA016703AV | GA016703AV             | GA016703AV                        | GA016703AV  | GA016703AV | 1   |
| 9           | Llave de drenaje de 9,5 mm (3/8") NPT                             | ST127700AV | ST127700AV             | ST127700AV                        | ST127700AV  | ST127700AV | 1   |
| 10          | Conexión a compresión de 3,2 mm (1/8") MNPT x 6,4 mm (1/4") T 90° | —          | ST081601AV             | ST081601AV                        | —           | —          | 1   |
| 11          | Niple de 12, mm (1/2 NPT) x 5,08 cm (2")                          | ST049200AV | ST049200AV             | ST049200AV                        | ST049200AV  | ST049200AV | 1   |
| 12          | Descargador   | ST128408AV | ST128408AV             | ST128408AV                        | ST128408AV  | ST128408AV | 1   |
| 13          | Ensamblaje de tuerca de compresión de 19,1 mm (3/4") & casquillo  | ST072321AV | ST072321AV             | ST072321AV                        | ST072321AV  | ST072321AV | 1   |
| 14          | Tubo de descarga  | —          | ST117806AV             | —                                 | —           | —          | 1   |
| 15          | Regulador   | CV006411AV | CV221900AV             | CV221900AV                        | CV006411AV  | CV006411AV | 1   |
| 16          | Tornillo #14 x 9,5 mm (3/8")                                      | ST073270AV | ST073270AV             | ST073270AV                        | ST073270AV  | ST073270AV | 15  |
| 17          | Tornillo 7,9 mm (5/16") - 12 x 19,1 mm (3/4")                     | —          | —                      | —                                 | —           | —          | —   |
| 18          | Banda   | BT010800AV | BT010800AV             | BT010800AV                        | BT010800AV  | BT010800AV | 1   |
| 19          | Polea del motor   | PU009789AV | PU009770AV             | PU009770AV                        | PU009776AV  | PU009776AV | 1   |
| 20          | Perno de 11,1 mm (7/16") - 14 x 3,81 cm (1 1/2")                  | ST070645AV | ST070645AV             | ST070645AV                        | ST070645AV  | ST070645AV | 4   |
| 21          | Arandela de 11,1 mm (7/16")                                       | ST070916AV | ST070916AV             | ST070916AV                        | ST070916AV  | ST070916AV | 4   |
| 22          | Tuerca de 11,1 mm (7/16") - 14                                    | ST070729AV | ST070729AV             | ST070729AV                        | ST070729AV  | ST070729AV | 4   |
| 23          | Tornillo hex de 9,5 mm (3/8") - 24                                | ST070638AV | ST070638AV             | ST070638AV                        | ST070638AV  | ST070638AV | 4   |
| 24          | Arandela de 9,5 mm (3/8")   | ST070916AV | ST070916AV             | ST070916AV                        | ST070916AV  | ST070916AV | 12  |
| 25          | Tuerca de seguridad de 9,5 mm (3/8") - 24                         | ST033500AV | ST033500AV             | ST033500AV                        | ST033500AV  | ST033500AV | 4   |
| 26          | Arandela de 7,9 mm (5/16")  | ST011200AV | ST011200AV             | ST011200AV                        | ST011200AV  | ST011200AV | 2   |
| 27          | Base para instalar el motor                                       | TF064800KK | TF064800KK             | TF064800KK                        | TF064800KK  | TF064800KK | 1   |
| 28          | Perno hex de 9,5 mm (3/8")-16 x 19,1 mm (3/4")                    | ST070631AV | ST070640AV             | ST070640AV                        | ST070631AV  | ST070631AV | 4   |
| 29          | Abrazadera de la tapa protectora de banda                         | BG210000AV | BG210000AV             | BG210000AV                        | BG210000AV  | BG210000AV | 1   |
| 30          | Tornillo 6,4 mm (1/4") - 20 x 19,1 mm (3/4")                      | ST074415AV | ST074415AV             | ST074415AV                        | ST074415AV  | ST074415AV | 1   |
| 31          | Tornillo #14 x 19,1 mm (3/4")                                     | ST073265AV | ST073265AV             | ST073265AV                        | ST073265AV  | ST073265AV | 1   |
| 32          | Chaveta   | KE001304AJ | KE001304AJ             | KE001304AJ                        | KE001304AJ  | KE001304AJ | 1   |
| 33          | Base en cruz  | BG208805AJ | BG208804AJ             | BG208804AJ                        | BG208805AJ  | BG208805AJ | 1   |
| 34          | Perno de la base en cruz  | ST070674AV | ST085401AV             | ST085401AV                        | ST070674AV  | ST070674AV | 1   |
| 35          | Soporte   | —          | —                      | —                                 | —           | —          | 1   |
| 36          | Acoplador   | —          | —                      | —                                 | —           | —          | 2   |
| 37          | Manómetro   | —          | —                      | —                                 | —           | —          | 1   |
| 38          | Manómetro   | —          | —                      | —                                 | —           | —          | 1   |
| 39          | Regulador   | —          | —                      | —                                 | —           | —          | 1   |
| 40          | Tornillo Torx 1/4 x 6,4 mm (1/2")                                 | —          | —                      | —                                 | —           | —          | 2   |
| 41          | Tubo  | —          | —                      | —                                 | —           | —          | 1   |
| 42          | Codo  | —          | —                      | —                                 | —           | —          | 2   |

## Liste de Pièces de Rechange

S'il vous plaît fournir l'information suivante:

- Numéro du modèle
- Numéro de série (si présent)
- Description et numéro de pièce

Correspondance:

Parts Department  
100 Production Drive  
Harrison, OH 45030 U.S.A.

| N° de Réf. | Description                                       | TF214800   | TF214700   | Qté |
|------------|---|------------|------------|-----|
| 1          | Moteur  | NG010700AV | NG003900AV | 1   |
| 2          | Pompe de compresseur d'air                        | CI070000PD | CI070000PD | 1   |
| 3          | Réservoir   | TP015000CG | TP015000CG | 1   |
| 4          | Cartier de courroie, avant                        | BG300900AV | BG300900AV | 1   |
| 5          | Cartier de courroie, arrière                      | BG305100AV | BG305100AV | 1   |
| 6          | Tuyau d'échappement                               | TF061800AP | TF061800AP | 1   |
| 7          | Soupape de sûreté                                 | V-215200AV | V-215200AV | 1   |
| 8          | Manostat, 2069 kPa, 1/4 po NPT                    | —          | —          | 1   |
| 9          | Robinet de purge 3/8 po NPT                       | ST127700AV | ST127700AV | 1   |
| 10         | Raccord de compression 1/8 po MNPT x 1/4 po T 90° | ST081601AV | —          | 1   |
| 11         | Mamelon, 1/2 NPT x 2 po                           | ST049200AV | ST049200AV | 1   |
| 12         | Déchargeur  | ST128408AV | ST128408AV | 1   |
| 13         | Écrou de compression 3/4 et virole équipé         | ST072321AV | ST072321AV | 1   |
| 14         | Tuyau de déchargement                             | ST117806AV | —          | 1   |
| 15         | Commande d'obturateur                             | CV221900AV | CV006411AV | 1   |
| 16         | Vis de mécanique #14 x 3/8 po                     | ST073270AV | ST073270AV | 15  |
| 17         | Vis, 5/16 po - 12 x 3/4 po                        | ST016500AV | ST016500AV | 6   |
| 18         | Courroie  | BT010800AV | BT010800AV | 1   |
| 19         | Poulie de moteur                                  | PU009770AV | PU009776AV | 1   |
| 20         | Boulon, 7/16 po - 14 x 1/2 po                     | ST070645AV | ST070645AV | 4   |
| 21         | Rondelle, 7/16 po                                 | ST070916AV | ST070916AV | 4   |
| 22         | Écrou, 7/16 po - 14                               | ST070729AV | ST070729AV | 4   |
| 23         | Vis d'assemblage à tête hex. 3/8 - 24             | ST070638AV | ST070638AV | 4   |
| 24         | Rondelle, 3/8 po                                  | ST070916AV | ST070916AV | 12  |
| 25         | Écrou de serrage, 3/8 po - 24                     | ST033500AV | ST033500AV | 4   |
| 26         | Rondelle, 5/16 po                                 | ST011200AV | ST011200AV | 2   |
| 27         | Plaque de montage du moteur                       | TF064800KK | TF064800KK | 1   |
| 28         | Boulon hexagonal, 3/8 po - 16 x 3/4 po            | ST070640AV | ST070631AV | 4   |
| 29         | Support du cartier de courroie                    | BG210000AV | BG210000AV | 1   |
| 30         | Vis, 1/4 po - 20 x 3/4 po                         | ST074415AV | ST074415AV | 1   |
| 31         | Vis de mécanique #14 x 3/4 po                     | ST073265AV | ST073265AV | 1   |
| 32         | Clavette  | KE001304AV | KE001304AV | 1   |
| 33         | Entretoise  | BG208804AJ | BG208805AJ | 1   |
| 34         | Boulon d'entretoise                               | ST085401AV | ST070674AV | 1   |
| 35         | Support   | TF067900AV | TF067900AV | 1   |
| 36         | Raccord   | HF203300AV | HF203300AV | 2   |
| 37         | Manomètre   | GA016705AV | GA016705AV | 1   |
| 38         | Manomètre   | GA016709AV | GA016709AV | 1   |
| 39         | Régulateur  | WL017601AV | WL017601AV | 1   |
| 40         | Vis Torx 1/4 - 20 x 1/2 po                        | ST071626AV | ST071626AV | 2   |
| 41         | Tube  | WL021400AV | WL021400AV | 1   |
| 42         | Coude   | ST119704AV | ST119704AV | 2   |

## Replacement Parts List

Please provide following information:

- Model number
- Serial number (if any)
- Part description and number as shown in parts list

Address parts correspondence to:

Parts Department  
100 Production Drive  
Harrison, OH 45030 U.S.A.

| Ref. No. | Description                                      | Part Number |                        |            |            |            | Qty |
|----------|--|-------------|------------------------|------------|------------|------------|-----|
|          |  | CI11G030HB  | EX123000<br>CI12G030HB | CI12G030HP | CI13G030HP | EX800600   |     |
| 1        | Engine   | NG004600AV  | NG010700AV             | NG010700AV | NG003900AV | NG003900AV | 1   |
| 2        | Air compressor pump                              | CI070000PD  | CI070000PD             | CI070000PP | CI070000BP | CI070000PD | 1   |
| 3        | Tank   | TP015000CG  | TP015000CG             | TP015000CG | TP015000CG | TP015000CG | 1   |
| 4        | Front belt guard                                 | BG300900AV  | BG300900AV             | BG300900AV | BG300900AV | BG300900AV | 1   |
| 5        | Rear belt guard                                  | BG305100AV  | BG305100AV             | BG305100AV | BG305100AV | BG305100AV | 1   |
| 6        | Exhaust tube                                     | TF061800AP  | TF061800AP             | TF061800AP | TF061800AP | TF061800AP | 1   |
| 7        | Safety valve                                     | V-215200AV  | V-215200AV             | V-215200AV | V-215200AV | V-215200AV | 1   |
| 8        | 300 psi, 1/4" NPT pressure gauge                 | GA016703AV  | GA016703AV             | GA016703AV | GA016703AV | GA016703AV | 1   |
| 9        | 3/8" NPT drain cock                              | ST127700AV  | ST127700AV             | ST127700AV | ST127700AV | ST127700AV | 1   |
| 10       | 1/8" MNPT x 1/4" tube 90°<br>compression fitting | —           | ST081601AV             | ST081601AV | —          | —          | 2   |
| 11       | 1/2 NPT x 2" Nipple                              | ST049200AV  | ST049200AV             | ST049200AV | ST049200AV | ST049200AV | 1   |
| 12       | Unloader   | ST128408AV  | ST128408AV             | ST128408AV | ST128408AV | ST128408AV | 1   |
| 13       | 3/4 Compression nut & ferrule<br>assembly        | ST072321AV  | ST072321AV             | ST072321AV | ST072321AV | ST072321AV | 1   |
| 14       | Unloader tube                                    | —           | ST117806AV             | ST117806AV | —          | —          | 1   |
| 15       | Throttle control                                 | CV006411AV  | CV221900AV             | CV221900AV | CV006411AV | CV006411AV | 1   |
| 16       | #14 x 3/8" Pan head screw                        | ST073270AV  | ST073270AV             | ST073270AV | ST073270AV | ST073270AV | 15  |
| 17       | 5/16 - 12 x 3/4" Screw                           | ST016500AV  | ST016500AV             | ST016500AV | ST016500AV | ST016500AV | 2   |
| 18       | Belt   | BT010800AV  | BT010800AV             | BT010800AV | BT010800AV | BT010800AV | 1   |
| 19       | Engine pulley                                    | PU009789AV  | PU009770AV             | PU009770AV | PU009776AV | PU009776AV | 1   |
| 20       | 7/16 - 14 x 1 1/2" Bolt                          | ST070645AV  | ST070645AV             | ST070645AV | ST070645AV | ST070645AV | 4   |
| 21       | 7/16" Washer                                     | ST070916AV  | ST070916AV             | ST070916AV | ST070916AV | ST070916AV | 4   |
| 22       | 7/16 - 14 Nut                                    | ST070729AV  | ST070729AV             | ST070729AV | ST070729AV | ST070729AV | 4   |
| 23       | 3/8 - 24 Hex head cap screw                      | ST070638AV  | ST070638AV             | ST070638AV | ST070638AV | ST070638AV | 4   |
| 24       | 3/8" Washer                                      | ST070916AV  | ST070916AV             | ST070916AV | ST070916AV | ST070916AV | 12  |
| 25       | 3/8" - 24 Locknut                                | ST033500AV  | ST033500AV             | ST033500AV | ST033500AV | ST033500AV | 4   |
| 26       | 5/16" Washer                                     | ST011200AV  | ST011200AV             | ST011200AV | ST011200AV | ST011200AV | 2   |
| 27       | Engine mounting plate                            | TF064800KK  | TF064800KK             | TF064800KK | TF064800KK | TF064800KK | 1   |
| 28       | 3/8 - 16 x 3/4" Hex bolt                         | ST070631AV  | ST070640AV             | ST070640AV | ST070631AV | ST070631AV | 4   |
| 29       | Belt guard bracket                               | BG210000AV  | BG210000AV             | BG210000AV | BG210000AV | BG210000AV | 1   |
| 30       | 1/4 - 20 x 3/4" Screw                            | ST074415AV  | ST074415AV             | ST074415AV | ST074415AV | ST074415AV | 1   |
| 31       | #14 x 3/4" Pan head screw                        | ST073265AV  | ST073265AV             | ST073265AV | ST073265AV | ST073265AV | 1   |
| 32       | Key  | KE001304AV  | KE001304AV             | KE001304AV | KE001304AV | KE001304AV | 1   |
| 33       | Cross brace                                      | BG208805AJ  | BG208804AJ             | BG208804AJ | BG208805AJ | BG208805AJ | 1   |
| 34       | Bolt cross brace                                 | ST070674AV  | ST085401AV             | ST085401AV | ST070674AV | ST070674AV | 1   |
| 35       | Bracket  | —           | —                      | —          | —          | —          | 1   |
| 36       | Coupler  | —           | —                      | —          | —          | —          | 2   |
| 37       | Gauge  | —           | —                      | —          | —          | —          | 1   |
| 38       | Gauge  | —           | —                      | —          | —          | —          | 1   |
| 39       | Regulator  | —           | —                      | —          | —          | —          | 1   |
| 40       | 1/4 - 20 x 1/2" Torx screw                       | —           | —                      | —          | —          | —          | 2   |
| 41       | Tube   | —           | —                      | —          | —          | —          | 1   |
| 42       | Elbow  | —           | —                      | —          | —          | —          | 2   |

## Replacement Parts List

Please provide following information:  
 -Model number  
 -Serial number (if any)  
 -Part description and number as shown in parts list

Address parts correspondence to:  
 Parts Department  
 100 Production Drive  
 Harrison, OH 45030 U.S.A.

| Ref. No. | Description                                   | Part Number |            | Qty |
|----------|---|-------------|------------|-----|
|          |   | TF214800    | TF214700   |     |
| 1        | Engine  | NG010700AV  | NG003900AV | 1   |
| 2        | Air compressor pump                           | CI070000PD  | CI070000PD | 1   |
| 3        | Tank  | TP015000CG  | TP015000CG | 1   |
| 4        | Front belt guard                              | BG300900AV  | BG300900AV | 1   |
| 5        | Rear belt guard                               | BG305100AV  | BG305100AV | 1   |
| 6        | Exhaust tube                                  | TF061800AP  | TF061800AP | 1   |
| 7        | Safety valve                                  | V-215200AV  | V-215200AV | 1   |
| 8        | 300 psi, 1/4" NPT pressure gauge              | —           | —          | 1   |
| 9        | 3/8" NPT drain cock                           | ST127700AV  | ST127700AV | 1   |
| 10       | 1/8" MNPT x 1/4" tube 90° compression fitting | ST081601AV  | —          | 2   |
| 11       | 1/2 NPT x 2" Nipple                           | ST049200AV  | ST049200AV | 1   |
| 12       | Unloader                                      | ST128408AV  | ST128408AV | 1   |
| 13       | 3/4 Compression nut & ferrule assembly        | ST072321AV  | ST072321AV | 1   |
| 14       | Unloader tube                                 | ST117806AV  | —          | 1   |
| 15       | Throttle control                              | CV221900AV  | CV006411AV | 1   |
| 16       | #14 x 3/8" Pan head screw                     | ST073270AV  | ST073270AV | 15  |
| 17       | 5/16 - 12 x 3/4" Screw                        | ST016500AV  | ST016500AV | 6   |
| 18       | Belt  | BT010800AV  | BT010800AV | 1   |
| 19       | Engine pulley                                 | PU009776AV  | PU009776AV | 1   |
| 20       | 7/16 - 14 x 1 1/2" Bolt                       | ST070645AV  | ST070645AV | 4   |
| 21       | 7/16" Washer                                  | ST070916AV  | ST070916AV | 4   |
| 22       | 7/16 - 14 Nut                                 | ST070729AV  | ST070729AV | 4   |
| 23       | 3/8 - 24 Hex head cap screw                   | ST070638AV  | ST070638AV | 4   |
| 24       | 3/8" Washer                                   | ST070916AV  | ST070916AV | 12  |
| 25       | 3/8" - 24 Locknut                             | ST033500AV  | ST033500AV | 4   |
| 26       | 5/16" Washer                                  | ST011200AV  | ST011200AV | 2   |
| 27       | Engine mounting plate                         | TF064800KK  | TF064800KK | 1   |
| 28       | 3/8 - 16 x 3/4" Hex bolt                      | ST070640AV  | ST070631AV | 4   |
| 29       | Belt guard bracket                            | BG210000AV  | BG210000AV | 1   |
| 30       | 1/4 - 20 x 3/4" Screw                         | ST074415AV  | ST074415AV | 1   |
| 31       | #14 x 3/4" Pan head screw                     | ST073265AV  | ST073265AV | 1   |
| 32       | Key   | KE001304AV  | KE001304AV | 1   |
| 33       | Cross brace                                   | BG208805AJ  | BG208805AJ | 1   |
| 34       | Bolt cross brace                              | ST085401AV  | ST070674AV | 1   |
| 35       | Bracket                                       | TF067900AV  | TF067900AV | 1   |
| 36       | Coupler                                       | HF203300AV  | HF203300AV | 2   |
| 37       | Gauge   | GA016705AV  | GA016705AV | 1   |
| 38       | Gauge   | GA016709AV  | GA016709AV | 1   |
| 39       | Regulator                                     | WL017601AV  | WL017601AV | 1   |
| 40       | 1/4 - 20 x 1/2" Torx screw                    | ST071626AV  | ST071626AV | 2   |
| 41       | Tube  | WL021400AV  | WL021400AV | 1   |
| 42       | Elbow   | ST119704AV  | ST119704AV | 2   |

## Liste de Pièces de Rechange

S'il vous plaît fournir l'information suivante:  
 -Numéro du modèle  
 -Numéro de série (si présent)  
 -Description et numéro de pièce

Correspondance:  
 Parts Department  
 100 Production Drive  
 Harrison, OH 45030 U.S.A.

| N° de Réf. | Description                                       | CI11G030HB | EX123000   | CI12G030HP  | CI13G030HP  | EX800600   | Qté |
|------------|---|------------|------------|-------------|-------------|------------|-----|
|            |   |            | CI12G030HB |             |             |            |     |
| 1          | Moteur  | NG004600AV | NG010700AV | NG010700AV  | NG003900AV  | NG003900AV | 1   |
| 2          | Pompe de compresseur d'air                        | CI070000PD | CI070000PD | CI070000BPP | CI070000BPP | CI070000PD | 1   |
| 3          | Réservoir   | TP015000CG | TP015000CG | TP015000CG  | TP015000CG  | TP015000CG | 1   |
| 4          | Cartier de courroie, avant                        | BG300900AV | BG300900AV | BG300900AV  | BG300900AV  | BG300900AV | 1   |
| 5          | Cartier de courroie, arrière                      | BG305100AV | BG305100AV | BG305100AV  | BG305100AV  | BG305100AV | 1   |
| 6          | Tuyau d'échappement                               | TF061800AP | TF061800AP | TF061800AP  | TF061800AP  | TF061800AP | 1   |
| 7          | Soupape de sûreté                                 | V-215200AV | V-215200AV | V-215200AV  | V-215200AV  | V-215200AV | 1   |
| 8          | Manostat, 2069 kPa, 1/4 po NPT                    | GA016703AV | GA016703AV | GA016703AV  | GA016703AV  | GA016703AV | 1   |
| 9          | Robinet de purge 3/8 po NPT                       | ST127700AV | ST127700AV | ST127700AV  | ST127700AV  | ST127700AV | 1   |
| 10         | Raccord de compression 1/8 po MNPT x 1/4 po T 90° | —          | ST081601AV | ST081601AV  | —           | —          | 1   |
| 11         | Mamelon, 1/2 NPT x 2 po                           | ST049200AV | ST049200AV | ST049200AV  | ST049200AV  | ST049200AV | 1   |
| 12         | Déchargeur  | ST128408AV | ST128408AV | ST128408AV  | ST128408AV  | ST128408AV | 1   |
| 13         | Écrou de compression 3/4 et virole équipé         | ST072321AV | ST072321AV | ST072321AV  | ST072321AV  | ST072321AV | 1   |
| 14         | Tuyau de déchargement                             | —          | ST117806AV | ST117806AV  | —           | —          | 1   |
| 15         | Commande d'obturateur                             | CV006411AV | CV221900AV | CV221900AV  | CV006411AV  | CV006411AV | 1   |
| 16         | Vis de mécanique #14 x 3/8 po                     | ST073270AV | ST073270AV | ST073270AV  | ST073270AV  | ST073270AV | 15  |
| 17         | Vis, 5/16 po - 12 x 3/4 po                        | ST016500AV | ST016500AV | ST016500AV  | ST016500AV  | ST016500AV | 2   |
| 18         | Courroie  | BT010800AV | BT010800AV | BT010800AV  | BT010800AV  | BT010800AV | 1   |
| 19         | Poulie de moteur                                  | PU009789AV | PU009770AV | PU009770AV  | PU009776AV  | PU009776AV | 1   |
| 20         | Boulon, 7/16 po - 14 x 1 1/2 po                   | ST070645AV | ST070645AV | ST070645AV  | ST070645AV  | ST070645AV | 4   |
| 21         | Rondelle, 7/16 po                                 | ST070916AV | ST070916AV | ST070916AV  | ST070916AV  | ST070916AV | 4   |
| 22         | Écrou, 7/16 po - 14                               | ST070729AV | ST070729AV | ST070729AV  | ST070729AV  | ST070729AV | 4   |
| 23         | Vis d'assemblage à tête hex. 3/8 - 24             | ST070638AV | ST070638AV | ST070638AV  | ST070638AV  | ST070638AV | 4   |
| 24         | Rondelle, 3/8 po                                  | ST070916AV | ST070916AV | ST070916AV  | ST070916AV  | ST070916AV | 4   |
| 25         | Écrou de serrage, 3/8 po - 24                     | ST033500AV | ST033500AV | ST033500AV  | ST033500AV  | ST033500AV | 12  |
| 26         | Rondelle, 5/16 po                                 | ST011200AV | ST011200AV | ST011200AV  | ST011200AV  | ST011200AV | 2   |
| 27         | Plaque de montage du moteur                       | TF064800KK | TF064800KK | TF064800KK  | TF064800KK  | TF064800KK | 1   |
| 28         | Boulon hexagonal, 3/8 po - 16 x 3/4 po            | ST070631AV | ST070640AV | ST070640AV  | ST070631AV  | ST070631AV | 4   |
| 29         | Support du carter de courroie                     | BG210000AV | BG210000AV | BG210000AV  | BG210000AV  | BG210000AV | 1   |
| 30         | Vis, 1/4 po - 20 x 3/4 po                         | ST074415AV | ST074415AV | ST074415AV  | ST074415AV  | ST074415AV | 1   |
| 31         | Vis de mécanique #14 x 3/4 po                     | ST073265AV | ST073265AV | ST073265AV  | ST073265AV  | ST073265AV | 1   |
| 32         | Clavette  | KE001304AV | KE001304AV | KE001304AV  | KE001304AV  | KE001304AV | 1   |
| 33         | Entretoise  | BG208805AJ | BG208804AJ | BG208804AJ  | BG208805AJ  | BG208805AJ | 1   |
| 34         | Boulon d'entretoise                               | ST070674AV | ST085401AV | ST085401AV  | ST070674AV  | ST070674AV | 1   |
| 35         | Support   | —          | —          | —           | —           | —          | 1   |
| 36         | Raccord   | —          | —          | —           | —           | —          | 2   |
| 37         | Manomètre   | —          | —          | —           | —           | —          | 1   |
| 38         | Manomètre   | —          | —          | —           | —           | —          | 1   |
| 39         | Régulateur  | —          | —          | —           | —           | —          | 1   |
| 40         | Vis Torx 1/4 - 20 x 1/2 po                        | —          | —          | —           | —           | —          | 2   |
| 41         | Tube  | —          | —          | —           | —           | —          | 1   |
| 42         | Coude   | —          | —          | —           | —           | —          | 2   |