

Please read and save these instructions. Read carefully before attempting to assemble, install, operate or maintain the product described. Protect yourself and others by observing all safety information. Failure to comply with instructions could result in personal injury and/or property damage! Retain instructions for future reference.



Wire Feed Arc Welder



Description

The Campbell Hausfeld WF2010 is a 70 amp, single phase 115 volt input, wire feed arc welding machine equipped with infinite wire speed control to accurately select the proper wire feed rate needed for various welding conditions. Internal components are thermostatically protected.

This welding system is designed for use with Flux Core Arc Welding (Gasless) only. As delivered from the factory, this welder can weld with .030" (.8mm) to .035" (.9mm) diameter flux-cored wire. A starter spool of .035" flux-cored wire is included.

Unpacking

Some welder components may be found in the wire feed compartment. When unpacking, inspect carefully for any damage that may have occurred during transit. Report any damaged or missing items by calling (800) 746-5641.

Circuit Requirements

CAUTION This equipment requires a dedicated 115 volt circuit. Refer to the following chart for the correct circuit breaker or fuse rating. Do not run other appliances, lights, or tools on this circuit while operating this equipment. Extension cords are not recommended. Blown fuses and tripped circuit breakers can result from failure to comply with this recommendation.

Heat Selector	Circuit Breaker or Slow Blow Fuse	
Low	15 amp	
High	20 amp	

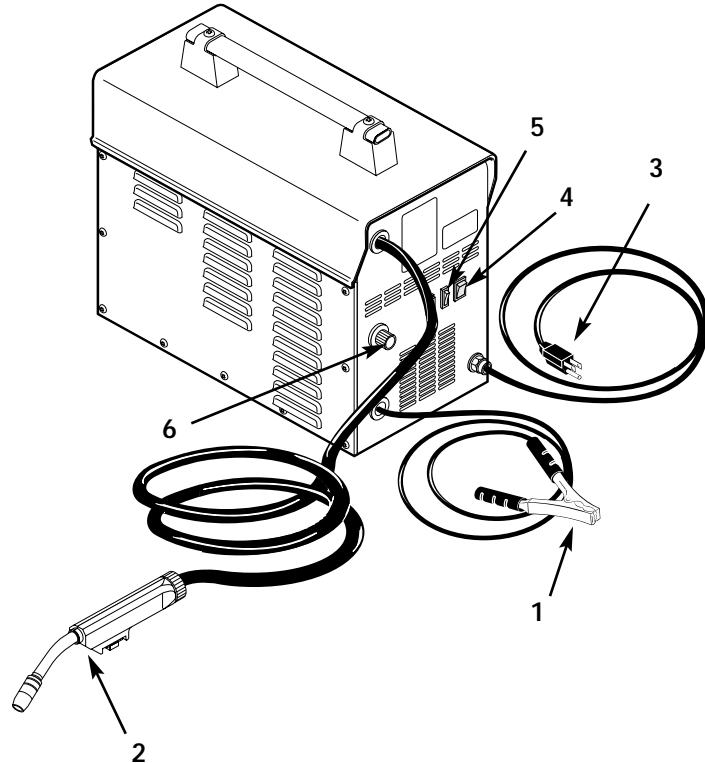


Figure 1

Components and Controls

- Work Clamp** - connect to work piece.
- Wire Feed Gun**
- Power Cord** - plug into 115 volt outlet.
- On/Off Switch**
- Heat Selector** - Selects welding power (high/low).
- Infinite Wire Speed Control** - turn clockwise to increase wire speed and counterclockwise to decrease wire speed.

General Safety

DANGER Danger means a hazard that will cause death or serious injury if the warning is ignored.

WARNING Warning means a hazard that could cause death or serious injury if the warning is ignored.

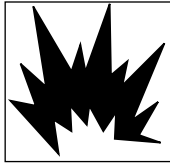
CAUTION Caution means a hazard that may cause minor or moderate injury if the warning is ignored. It also may mean a hazard that will only cause damage to property.

NOTE: Note means any additional information pertaining to the product or its proper usage.

General Safety (Con't)

⚠WARNING

Always keep a fire extinguisher accessible while performing arc welding operations.



- Before starting or servicing any electric arc welder, read and understand all instructions. Failure to follow safety precautions or instructions can cause equipment damage and/or serious personal injury or death.
- All installation, maintenance, repair and operation of this equipment should be performed by qualified persons only in accordance with national, state, and local codes.

⚠WARNING

Improper use of electric arc welders can cause electric shock, injury, and death! Take all precautions described in this manual to reduce the possibility of electric shock.



- Verify that all components of the arc welder are clean and in good condition prior to operating the welder. Be sure that the insulation on all cables, wire feed gun, and power cords is not damaged. Always repair or replace damaged components before operating the welder. Always keep welder panels, shields, etc. in place when operating the welder.
- Always wear dry, protective clothing and welding gloves, and insulated footwear.
- Always operate the welder in a clean, dry, well ventilated area. Do not operate the welder in humid, wet, rainy, or poorly ventilated areas.
- Be sure that the work piece is properly supported and grounded prior to beginning any electric arc welding operation.
- Coiled welding cable should be spread out before use to avoid overheating and damage to insulation.

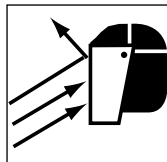
⚠DANGER

Never immerse the wire or wire feed gun in water. If the welder becomes wet for any reason, be absolutely certain that it is completely clean and dry prior to attempting use!

- Always shut the equipment off and unplug the power prior to moving the unit.
- Always attach the work lead first.
- Verify that the work piece is securely grounded.
- Always shut off electric arc welding equipment when not in use and cut off any excess wire from the wire feed gun.
- Never allow any part of the body to touch the flux core wire and ground or grounded work piece at the same time.
- When crouching, kneeling or at elevations, be sure to insulate all conductive parts, wear appropriate protective clothing, and take precautions to prevent injury from falls.
- Never attempt to use this equipment at current settings or duty cycles higher than those specified on the equipment labels.
- Never use an electric arc welder to thaw frozen pipes.

⚠WARNING

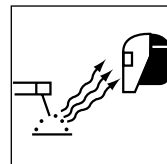
Flying sparks and hot metal can cause injury. As welds cool, slag can be thrown off. Take all precautions described in this manual to reduce the possibility of injury from flying sparks and hot metal.



- Wear ANSI approved face shield or safety glasses with side shield protection when chipping or grinding metal parts.
- Wear ear plugs when welding overhead to prevent spatter or slag from falling into ears.

⚠WARNING

Electric arc welding operations produce intense light and heat and ultraviolet (UV) rays. This intense light and UV rays can cause injury to eyes



and skin. Take all precautions described in this manual to reduce the possibility of injury to eyes and skin.

- All persons operating this equipment or in the area while equipment is in use must wear protective welding gear including: welding helmet or shield with at least shade 10 filter, flame resistant clothing, leather welding gloves, and full foot protection.

⚠WARNING

Never look at arc welding operations without eye protection as described above. Never use a shade filter lens that is cracked, broken, or rated below number 10. Warn others in the area not to look at the arc.

⚠WARNING

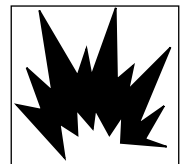
Electric arc welding operations cause sparks and heat metal to temperatures that can cause severe burns! Use protective gloves and clothing when performing any metal working operation. Take all precautions described in this manual to reduce the possibility of skin and clothing burns.



- Make sure that all persons in the welding area are protected from heat, sparks, and ultraviolet rays.
- Never touch work pieces until completely cooled.

⚠WARNING

Heat and sparks produced during electric arc welding and other metal working operations can ignite flammable and explosive materials! Take all precautions described in this manual to reduce the possibility of flames and explosions.

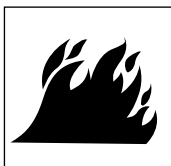


- Remove all flammable materials within 35 feet (10.7 meters) of welding arc. If removal is not possible, tightly cover flammable materials with fire proof covers.
- Do not operate any electric arc welder in areas where flammable or explosive vapors may be present.
- Take precautions to be sure that flying sparks and heat do not cause flames in hidden areas, cracks, behind bulkheads, etc.

General Safety (Con't)

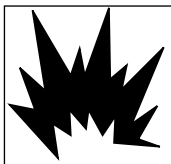
⚠WARNING

Fire hazard! Do not weld on containers or pipes that contain or have contained flammable materials or gaseous or liquid combustibles.



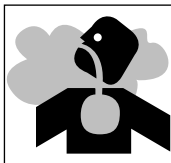
⚠WARNING

Arc welding closed cylinders or containers such as tanks or drums can cause explosion if not properly vented! Verify that any cylinder or container to be welded has an adequate ventilation hole, so that expanding gases can be released.



⚠WARNING

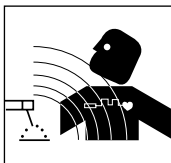
Do not breathe fumes that are produced by the arc welding operation. These fumes are dangerous. If the welding area cannot be adequately ventilated, be sure to use an air-supplied respirator.



- Keep the head and face out of the welding fumes.
- Do not perform electric arc welding operations on metals that are galvanized or cadmium plated, or contain zinc, mercury, or beryllium without completing the following precautions:
 - a. Remove the coating from the base metal.
 - b. Make sure that the welding area is well ventilated.
 - c. Use an air-supplied respirator. Extremely toxic fumes are created when these metals are heated.

⚠WARNING

The electromagnetic field that is generated during arc welding may interfere with the operation of various electrical and electronic devices such as cardiac pacemakers. Persons using such devices should consult with their physician prior to performing any electric arc welding operations.



- Never wrap arc welder cables around the body.
- Exposure to electromagnetic fields during welding may have other health effects which are not known.

⚠WARNING

Always be sure that the welding area is secure and free of hazards (sparks, flames, glowing metal or slag) prior to leaving. Be sure that equipment is turned off and excess wire is cut off. Be sure that cables are loosely coiled and out of the way. Be sure that all metal and slag has cooled.

ADDITIONAL SAFETY STANDARDS

ANSI Standard Z49.1 from American Welding Society, 550 N.W. LeJune Rd. Miami, FL 33126

Safety and Health Standards

OSHA 29 CFR 1910, from Superintendent of Documents, U.S. Government Printing Office, Washington, D.C. 20402

National Electrical Code

NFPA Standard 70, from National Fire Protection Association, Batterymarch Park, Quincy, MA 02269

Safe Handling of Compressed Gases in Cylinders

CGA Pamphlet P-1, from Compressed Gas Association, 1235 Jefferson Davis Highway, Suite 501, Arlington, VA 22202

Cutting And Welding Processes

NFPA Standard 51B, from National Fire Protection Association, Batterymarch Park, Quincy, MA 02269

Safe Practices For Occupational And Educational Eye And Face Protection

ANSI Standard Z87.1, from American National Standards Institute, 1430 Broadway, New York, NY 10018

Installation

LOCATION

Selecting the proper location can significantly increase performance, reliability and life of the arc welder.

- For best results locate the welder in an environment that is clean and dry.
- Store flux core wire in a clean, dry location with low humidity to preserve the flux wire coating.
- The use of an extension cord is not recommended for electric arc welding machines. The voltage drop in the extension cord may significantly degrade the performance of the welder.

Assembly

HANDLE ASSEMBLY

1. Pull rod on both sides of wire feed

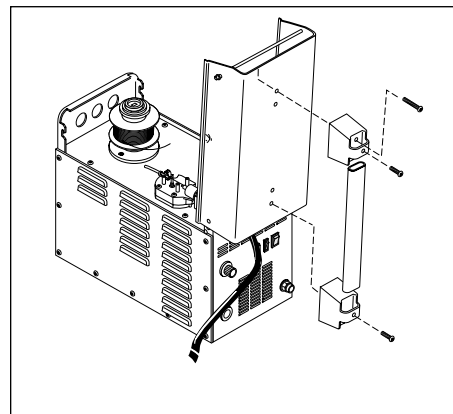


Figure 2 - Handle Assembly

- door and lift to open.
2. Bolt plastic handle caps to cover as shown (Figure 2).
3. Slide metal handle through caps and attach with screws.

Work Clamp

1. Loosen hex bolt on work clamp.
2. Insert cord (labeled work on the front panel of the welder) through clamp handle and slide bare wire under the clamp block. Tighten hex bolt making sure bare wire is clamped securely (Figure 3).

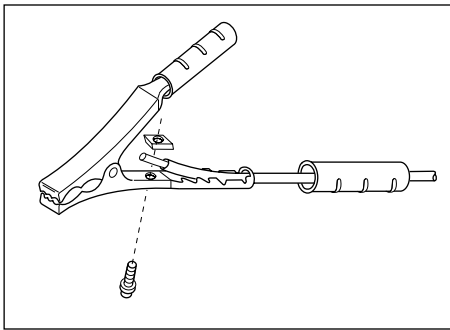


Figure 3 - Work Clamp Assembly

Flux Core Wire Installation

⚠WARNING *Welding power is applied to the output terminals, feed roll, work clamp, gun cable connection and welding wire even when the the gun switch is not activated. Do not touch these parts when the welding machine is on.*

NOTE: Before installing welding wire, be sure that the diameter of the welding wire matches the contact tip in the end of the gun. The wire size is marked on the contact tip in inches or mm. (See chart below).

Wire Size	Contact Tip Markings	mm
.030"	or	.8
.035"	or	.9

1. Verify the unit is off and lift the door on the welder to expose the wire feed mechanism.
2. Remove the spool quick lock, by pushing in and rotating 1/4 turn counterclockwise. The knob, spring, and spool spacer can now be removed.
3. Loosen the wire feed tensioning screw on the drive mechanism. This allows initial feeding of the wire into the gun liner by hand.
4. Install the wire spool onto the spindle so that the wire can come off the spool on the end closest to the wire feed guide tube. **Do not cut the wire loose yet.** Install the spool spacer, spring, and quick lock knob by pushing in and turning the knob 1/4 rotation clockwise.
5. Hold the wire and cut the wire end from the spool. Do not allow the wire

to unravel. Be sure that the end of the wire is straight and free of burrs.

6. Feed the wire through the wire feed guide tube, over the groove in the drive roll and into the gun liner. Tighten the wire feed tensioning screw so that it is snug. Do not over tighten.

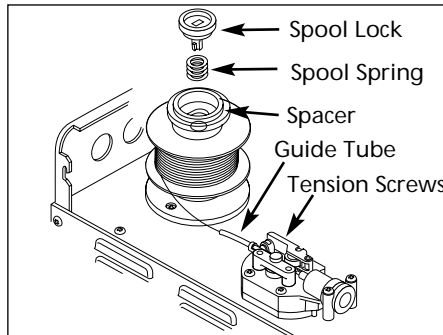


Figure 4 - Weld Wire Routing

7. Remove the nozzle by turning counterclockwise. Then, unscrew the contact tip from the end of the welding torch. (See Figure 6). Plug the welder into the proper power supply receptacle.
8. Turn on the welder and set the wire speed rate to 8. Activate the gun switch until the wire feeds out past the torch end. (See Figure 5.) **Turn welder off.**

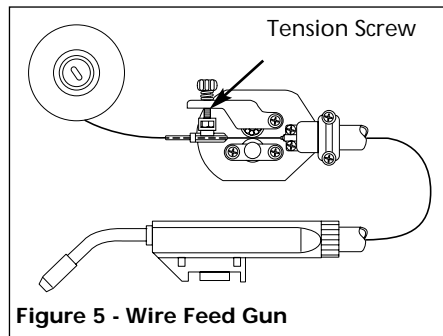


Figure 5 - Wire Feed Gun

9. Carefully slip the contact tip over the wire and screw it into the torch diffuser. (See Figure 6.) Install the nozzle by twisting clockwise. Cut the wire off approximately 1/4 inch from the end of the nozzle.

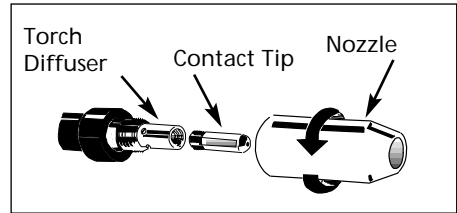



Figure 6 - Torch Nozzle

DUTY CYCLE / THERMOSTATIC PROTECTION

Welder duty cycle is the percentage of actual weld time that can occur in a ten minute interval. For example, at a 10% duty cycle, actual welding can occur for one minute, then the welder must cool for nine minutes.

Internal components of this welder are protected from overheating with an automatic thermal switch. A yellow lamp is illuminated on the front panel (on/off switch) if the duty cycle is exceeded. Welding operations may continue when the yellow lamp is no longer illuminated.

Operation

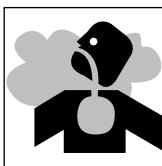
1. Be sure to read, understand, and comply with all precautions in the General Safety Information section and Welding Guidelines prior to using this equipment. 
2. Verify welder is off.
3. Verify that the surfaces of metals to be joined are free from dirt, rust, paint, oil, scale or other contaminants. These contaminants make welding difficult and cause poor welds.

⚠WARNING *All persons operating this equipment or in the area while equipment is in use must wear protective welding gear including: eye protection with proper shade, flame resistant clothing, leather welding gloves, and full foot protection.*

⚠CAUTION *The welding wire is live whenever the welder is turned on—whether or not the trigger is pulled.*

Operation (Con't)

⚠WARNING



If heating, welding, or cutting materials that are galvanized, zinc plated, lead, or cadmium plated

refer to the General Safety Information Section for instructions. Extremely toxic fumes are created when these metals are heated.

4. Connect the work clamp to the work piece or workbench (if metal). Make sure the contact is secure. Avoid surfaces with paint, varnish, corrosion, or non-metallic materials.
5. Position the Heat Selector on the front panel to the desired setting.

Metal Thickness	Heat Setting
14-20 Gauge	Low
Thicker than 14 Gauge	High

NOTE: These settings are general guidelines only. Heat setting may vary according to welding conditions and materials.

6. Rotate the Wire Speed Control to setting number 5 to start with, then adjust as needed after test weld.
7. Plug the input cord into a proper voltage receptacle with proper circuit capacity. (See Chart under circuit requirements on page 1).
8. Switch the welder ON/OFF switch to the ON position.
9. Verify that the wire is extended 1/4" from the contact tip. If not, squeeze the trigger to feed additional wire, release the trigger, and cut wire to proper length.
10. Position the wire feed gun near the work piece, lower the welding helmet by nodding the head, or position the hand shield, and squeeze the gun trigger. Adjust heat setting and wire speed as needed.
11. When finished welding, turn welder off and store properly.

Maintenance

⚠WARNING Disconnect power supply and turn machine off before inspecting or servicing any components. Keep the wire compartment cover closed at all times unless the wire needs replacement.

Before every use:

1. Check condition of weld cables and immediately repair or replace any cables with damaged insulation.
2. Check condition of power cord and immediately repair or replace any cord if damaged.
3. Inspect the condition of the gun tip and nozzle. Remove any weld slag. Replace gun tip or nozzle if damaged.

⚠WARNING Do not operate this welding machine with cracked or missing insulation on welding cables, wire feed gun, or power cord.

Every 3 months:

1. Replace any unreadable safety labels on the welder.
2. Use compressed air to blow all dust and lint from the ventilation openings.
3. Clean the wire groove on the drive roll. Remove wire from the feed mechanism, remove screws from the drive roll housing. Use a small wire brush to clean the drive roll. Replace if worn or damaged.

Consumable and Wear Parts

The following parts require routine maintenance:

- Wire feed drive roller
- Gun liner - replace if worn
- Nozzle/contact tips
- Wire - This welder will accept either 4" or 8" diameter spools. Flux-cored welding wire is susceptible to moisture and oxidizes over time, so it is important to select a spool size that will be used within approximately 6 months. Use AWS type AWS E71T-GS or E71T-11, .030" (.8mm) or .035" (.9mm) diameter.

**Call (800) 746-5641
for replacement parts**

Welding Guidelines

General

This line of welding machines utilizes the Flux Cored Arc Welding (Gasless) process. The weld must be protected (shielded) from contaminants in the air while it is molten. The gasless process uses a tubular wire with a flux material inside. The flux creates a shielding gas when melted.

When current is produced by a transformer (welding machine) and flows through the circuit to the weld wire, an arc is formed between the end of the weld wire and the work piece. This arc melts the wire and the work piece. The melted metal of the weld wire flows into the molten crater and forms a bond with the work piece as shown (Figure 7).

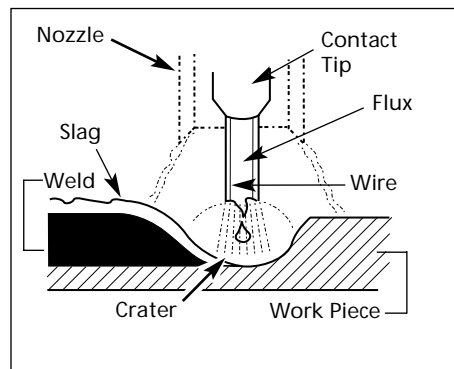


Figure 7 - Weld Components

Arc Welding Basics

Five basic techniques affect weld quality. These are: wire selection, heat setting, weld angle, wire speed, and travel speed. An understanding of these techniques is necessary for effective welds.

HEAT SETTING

The correct heat involves the adjustment of the welding machine to the required setting. The heat setting used depends on the thickness of the work piece. Consult specifications listed on the welder. It is suggested that the welder practice with scrap metal to adjust settings, and compare welds with Figure 12.

Welding Guidelines (Continued)

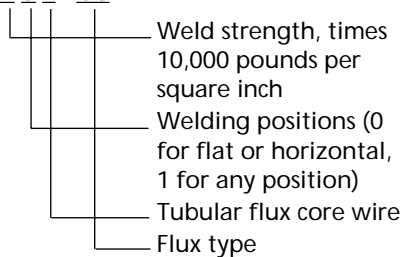
WIRE TYPE AND SIZE

The correct choice of wire type involves a variety of factors, such as welding position, work piece material type, thickness, and condition of surface to be welded. The American Welding Society, AWS, has set up certain requirements for each type of wire.

The AWS classification for self-shielding wire (Gasless process) is a multi digit number preceded by the letter E.

FLUX-CORED WIRE

E - 7 0 T - GS



AWS E71T-GS or E71T-11 is recommended for this welder.

WELD ANGLE

Weld angle is the angle at which the nozzle is held during the welding process. Weld angle involves two positions - travel angle and work angle.

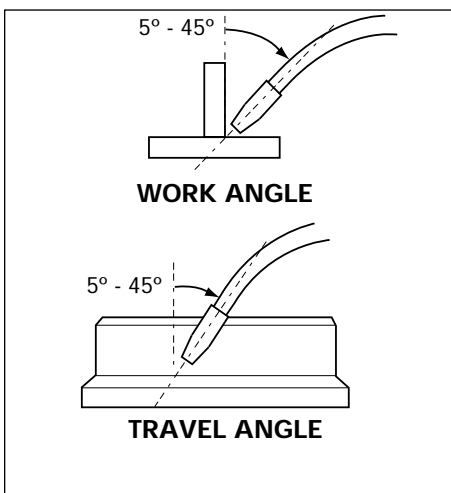


Figure 8 - Weld Angle

Travel angle is the angle in the line of welding and may vary from 5° to 45° from the vertical, depending on welding conditions.

Work angle is the angle from horizontal, measured at right angles to the line of welding. For most applications, a 45° travel angle and 45° work angle is sufficient. For specific applications, consult an arc welding handbook.

WIRE SPEED

The wire speed is controlled by the knob on the front panel. The speed needs to be "tuned" to the rate at which the wire is being melted in the arc. Too slow of speed will cause sputtering and the wire will burn up into the contact tip. Too fast a speed will also cause a sputtering sound and the wire will push into the plate before melting.

TRAVEL SPEED

The travel speed is the rate at which the torch is moved across the weld area. Factors such as diameter and type of weld wire, amperage, position, and work piece material thickness all effect the speed of travel necessary for completing a good weld (See Fig. 12). When the speed is too fast, the bead is narrow and bead ripples are pointed as shown. When the speed is too slow, the weld metal piles up and the bead is high and wide.

SLAG REMOVAL (FLUX-CORED WIRE ONLY)

⚠WARNING *Wear ANSI approved safety glasses (ANSI Standard Z87.1) and protective clothing when removing slag. Hot, flying debris can cause personal injury to anyone in the area.*

After completing the weld, wait for the welded sections to cool. A protective coating called slag now covers the weld bead which prevents contaminants in the air from reacting with the molten metal. Once the weld cools to the point that it is no longer glowing red, the slag can be removed. Removal is done with a chipping hammer. Lightly tap the slag with the hammer and break it loose from the weld bead. The final

clean-up is done with a wire brush. When making multiple weld passes, remove the slag before each pass.

WELDING POSITIONS

Four basic welding positions can be used; flat, horizontal, vertical, and overhead. Welding in the flat position is easier than any of the others because welding speed can be increased, the molten metal has less tendency to run, better penetration can be achieved, and the work is less fatiguing. Welding is performed with the wire at a 45° travel angle and 45° work angle.

Other positions require different techniques such as a weaving pass, circular pass, and jogging. A higher skill level is required to complete these welds.

All work should be performed in the flat position if possible. For specific applications, consult an arc welding technical manual.

WELD PASSES

Sometimes more than one pass is necessary to fill the joint. The root pass is first, followed by filler passes and the cover pass. (See Figures 9 and 10.) If the pieces are thick, it may be necessary to bevel the edges that are joined at a 60° angle. Remember to remove the slag before each pass.

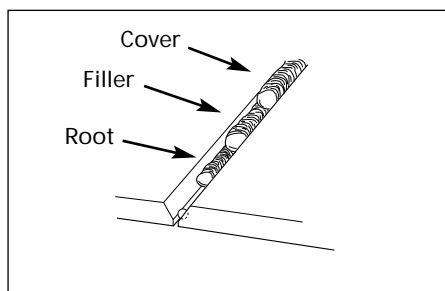


Figure 9 - Weld Passes

Welding Guidelines (Continued)

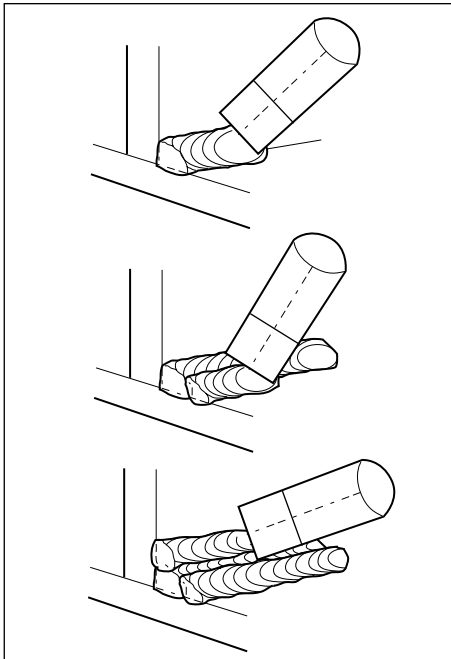


Figure 10 - Multiple Weld Passes

PUSH VS PULL TECHNIQUE

The type and thickness of the work piece dictates which way to point the gun nozzle. For thin materials (18 gauge and up), the nozzle should point out in front of the weld puddle and **push** the puddle across the workpiece. For thicker steel, the nozzle should point into the puddle to increase weld penetration. This is called backhand or **pull** technique (See Figure 11).

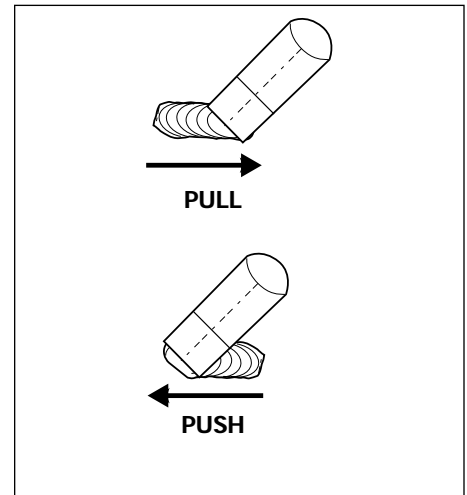


Figure 11

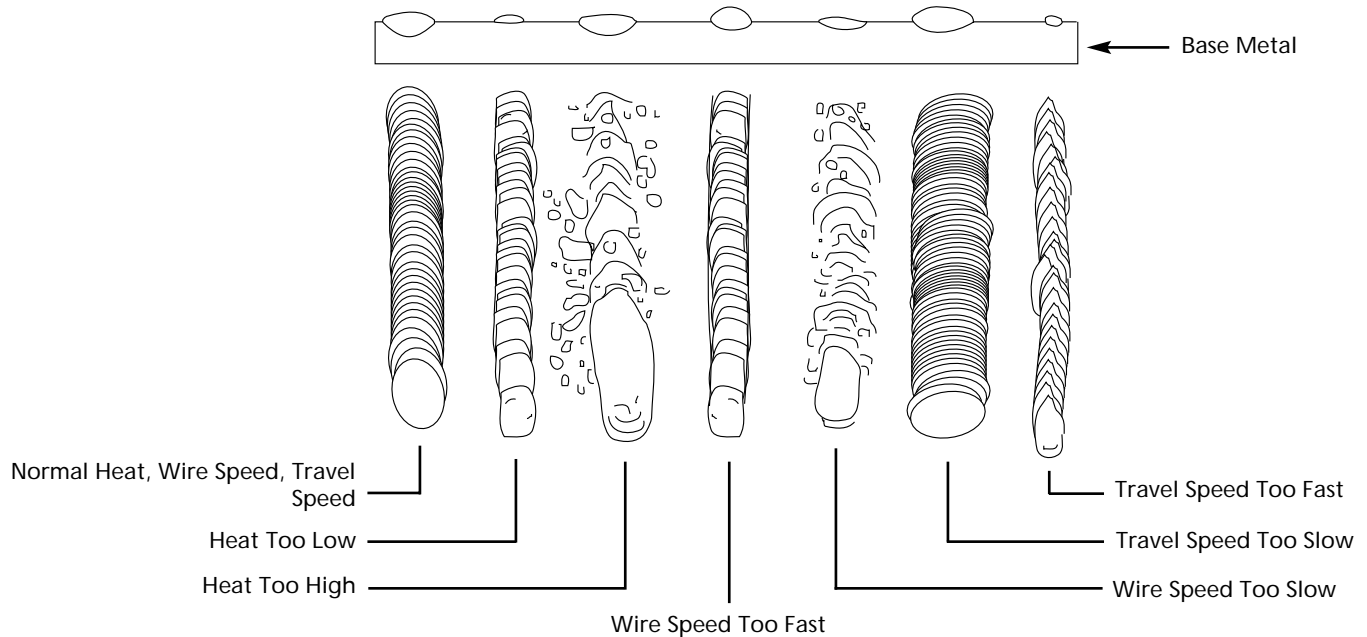


Figure 12 - Weld Appearance

Supply Cable Replacement

1. Unplug welder.
2. Remove the right side panel.
3. Disconnect the black and white power cord wires connected to the ON/OFF switch.
4. Disconnect the green power cord wire connected to the frame.
5. Loosen the cord strain relief screw and pull cord through front panel.
6. Install new cord in reverse order.

For Information About This Product, Call 1-800-746-5641

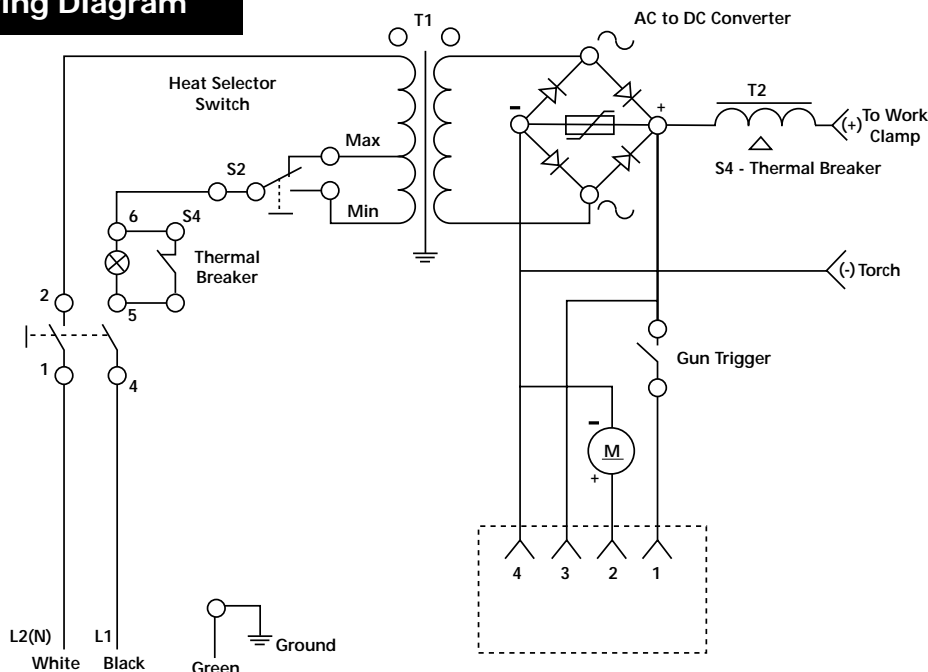
Troubleshooting Chart - Welder

Symptom	Possible Cause(s)	Corrective Action
No output	<ol style="list-style-type: none"> 1. Duty cycle exceeded 2. Poor work clamp connection 3. Defective power switch 4. Blown breaker or fuse 	<ol style="list-style-type: none"> 1. Allow welder to cool until ON/OFF Switch lamp goes out 2. Be sure all connections are secure, and attaching surface is clean 3. Replace switch 4. Reduce circuit load, reset breaker or replace fuse
Wire tangles at drive roller	<ol style="list-style-type: none"> 1. Wrong size gun tip 2. Gun liner clogged or damaged 3. Gun tip clogged or damaged 4. Feed roller worn 5. Not enough tension 	<ol style="list-style-type: none"> 1. Use proper size gun tip 2. Clean or replace gun liner 3. Clean or replace gun tip 4. Replace 5. Tighten tensioning screw
Gun nozzle arcs to work surface	Slag inside gun nozzle	Clean slag from gun nozzle
Work clamp and/or cable gets hot	Poor contact	Be sure all connections are secure, and attaching surface is clean
Wire does not feed	<ol style="list-style-type: none"> 1. Wire jammed 2. Out of wire 3. Not enough tension 4. Wire liner worn 5. Fuse blown 	<ol style="list-style-type: none"> 1. Reload wire 2. Replace wire spool 3. Tighten tensioning screws if wire is slipping 4. Replace liner 5. Replace fuse on wire feed control board inside welder, (1.6 amp time delay)

Troubleshooting Chart - Welds

Symptom	Possible Cause(s)	Corrective Action
Bead is intermittently too thin	<ol style="list-style-type: none"> 1. Inconsistent travel speed 2. Output heat setting too low 	<ol style="list-style-type: none"> 1. Decrease and maintain constant travel speed 2. Increase output heat setting
Bead is intermittently too thick	<ol style="list-style-type: none"> 1. Slow and/or inconsistent travel speed 2. Output heat setting too high 	<ol style="list-style-type: none"> 1. Increase and maintain travel speed 2. Reduce output heat setting
Ragged depressions at edge of weld	<ol style="list-style-type: none"> 1. Travel speed too fast 2. Wire speed too fast 3. Output heat setting too high 	<ol style="list-style-type: none"> 1. Decrease travel speed 2. Decrease wire speed 3. Reduce output heat setting
Weld bead does not penetrate base metal	<ol style="list-style-type: none"> 1. Inconsistent travel speed 2. Output heat setting too low 	<ol style="list-style-type: none"> 1. Decrease and maintain constant travel speed 2. Increase output heat setting
Wire sputters and sticks	<ol style="list-style-type: none"> 1. Damp wire 2. Wire speed too fast 	<ol style="list-style-type: none"> 1. Use dry wire and store in dry location 2. Reduce wire speed

WF2010 Wiring Diagram



Limited 5-3-1 Warranty

1. Duration: The manufacturer warrants that it will repair, at no charge for parts or labor, the Welder, Welding Gun, or Cables, proven defective in material or workmanship, during the following time period(s) after date of original retail purchase:

For 5 Years: The Welder Transformer and Rectifier

For 3 Years: The Entire Welder (excluding clamps, welding gun, electrode holder, cables, or accessories packed with welder)

For 1 Year: The Welding Clamps, MIG Gun, Electrode Holder, Accessories, and Welding Cables (as applicable)

2. Who Gives This Warranty (Warrantor):

The Campbell Group / A Scott Fetzer Company
 100 Production Drive
 Harrison, OH 45030
 Telephone: (513)-367-4811

3. Who Receives This Warranty (Purchaser): The original purchaser of the Campbell Hausfeld product.

4. What is covered under this warranty: Defects in material and workmanship which occur within the duration of the warranty period. This warranty extends to the Welder, the Welders Transformer and Rectifier, Welding Gun or Electrode Holder, and cables only.

5. What is not covered under this warranty:

- Implied warranties, including those of merchantability and FITNESS FOR A PARTICULAR PURPOSE ARE LIMITED IN DURATION TO THIS EXPRESS WARRANTY. After this period, all risks of loss, from whatever reason, shall be on the purchaser. Some states do not allow limitations on how long an implied warranty lasts, so above limitations may not apply to you.
- ANY INCIDENTAL, INDIRECT, OR CONSEQUENTIAL LOSS, DAMAGE, OR EXPENSE THAT MAY RESULT FROM ANY DEFECT FAILURE OR MALFUNCTION OF THE CAMPBELL HAUSFELD PRODUCT. Some states do not allow limitations on how long an implied warranty lasts, so above limitations may not apply to you.
- This warranty does not apply to any accessory items included with the product which are subject to wear from usage; the repair or replacement of these items shall be at the expense of the owner. These MIG items include but are not limited to; Contact Tips, Nozzles, Gun Liners, Drive Rollers, Felt Wire Cleaner. In addition, this warranty does not extend to any damage caused by the untimely replacement or maintenance of any of the previously listed CONSUMABLE parts.
- Any failure that results from accident, purchaser's abuse, neglect or failure to operate products in accordance with instructions provided in the owner's manual(s) supplied with the product.
- Pre-delivery service, i.e. assembly and adjustment.

7. Responsibilities of Warrantor under this warranty: Repair or replace, at Warrantor's option, products or components which have failed within duration of the warranty period.

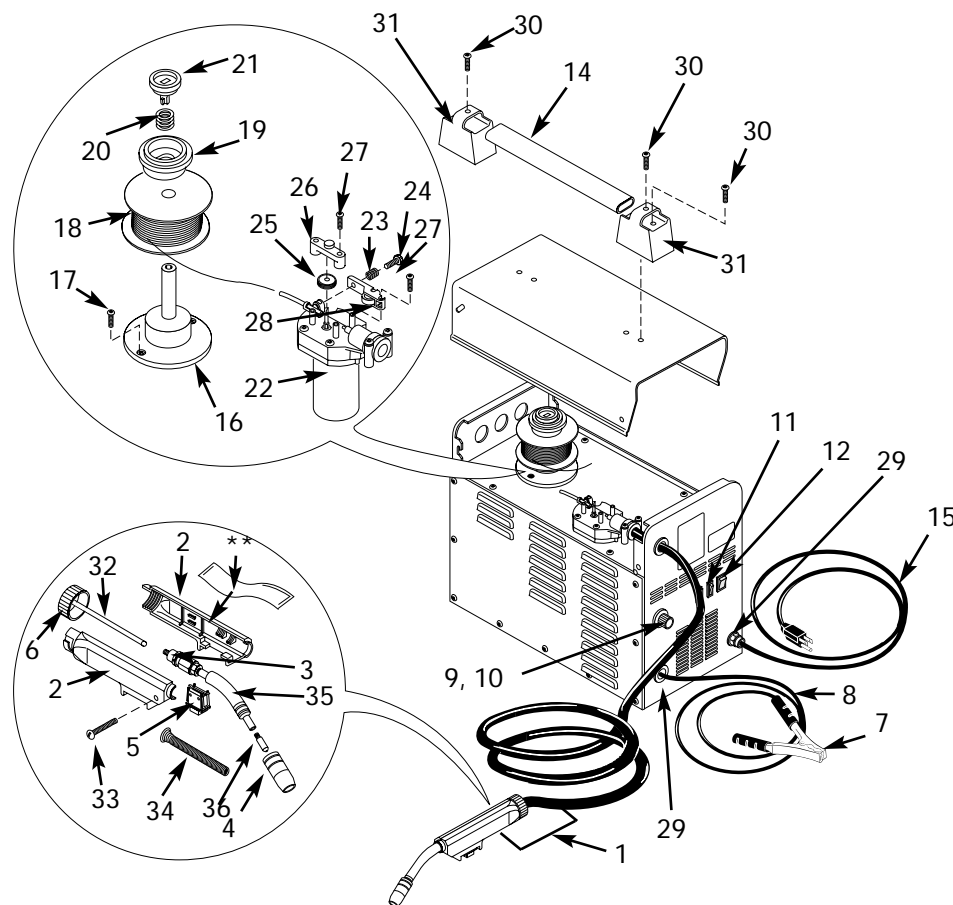
8. Responsibilities of purchaser under this warranty:

- Deliver or ship the Campbell Hausfeld product or component to Campbell Hausfeld. Freight costs, if any, must be borne by the purchaser.
- Use reasonable care in the operation and maintenance of the products as described in the owner's manual(s).

9. When Warrantor will perform repair or replacement under this warranty: Repair or replacement will be scheduled and serviced according to the normal work flow at the servicing location, and depending on the availability of replacement parts.

This Limited Warranty gives you specific legal rights and you may also have other rights which vary from state to state.

For Replacement Parts, call 1-800-746-5641



Please provide following information:

- Model number
- Serial number (if any)
- Part description and number as shown in parts list

Address parts correspondence to:

The Campbell Group
Attn: Parts Department
100 Production Drive
Harrison, Ohio 45030

Reference Number	Description	Part Number	Qty
1	Torch assembly and hose	WC601200AJ	1
2	Torch body, front and back	WC600401AV	1
3	Liner fitting	WC600403AV	1
4	Nozzle	WT502100AJ	1
5	Trigger switch	WC600402AV	1
6	Torch twist nut	WC600404AV	1
7	Work clamp (Cord not included)	WC100000AV	1
8	Welding cable 6 AWG (6 ft)	*	1
9	Wire speed knob	WC400201AV	1
10	Wire speed control board	WC400700AV	1
11	Low/high switch	WC400300AV	1
12	On/off switch	WC400000AV	1
13	Safety decal (not shown)	DK670200AV	1
14	Handle	WC301100AV	1
15	Power cord 14-3 AWG (6 ft) Type SJT	*	1
16	Spool spindle	WC500600AV	1
17	#10-32 x .5" Pan head sheet metal screw	*	2
18	Wire-flux core .030" (.8mm) diameter	WE200001AV	1
19	Optional Wire-flux core .035" (.9mm) diameter	WE200501AV	-
20	Spool adapter	WC500601AV	1
21	Spool spring	WC500602AV	1
22	Spool locking hub	WC500603AV	1
23	Drive deck assembly (Includes Nos.23-28)	WC500500AV	1
24	Tension spring	WC500003AV	1
25	Tension screw	WC500002AV	1
26	Roller, (.030-.035 in.)	WC500501AV	1
27	Roller cover	WC500504AV	1
28	#8-36 x 5/8" Pan head screw	*	3
29	Swing arm	WC500505AV	1
30	Strain relief	WC102000AV	2
31	#6-32 x .5" Machine screw	*	6
32	Handle Caps	WC301101AV	2
33	Liner, coated metal	WC600208AV	1
34	#4-40 X .75" Pan head screw	*	1
35	Trumpet liner	WC600408AV	1
36	Swan neck with diffuser	WC601201AV	1
	Contact tip .030" (0.8mm) (4 pack)	WT501300AJ	-
	Optional contact tip .035" (0.9mm) (4 pack)	WT501400AJ	-

* Standard hardware item, available at local hardware or welder supply store

** Must be reinstalled for safety purposes after torch is disassembled

Glossary of Welding Terms

AC or Alternating Current - electric current that reverses direction periodically. Sixty cycle current travels in both directions sixty times per second.

Arc Length - the distance from the end of the electrode to the point where the arc makes contact with the work surface.

Base Metal - the material to be welded.

Butt Joint - a joint between two members aligned approximately in the same plane.

Crater - a pool, or pocket, that is formed as the arc comes in contact with the base metal.

DC or Direct Current - electric current which flows only in one direction. The polarity (+ or -) determines which direction the current is flowing.

DC Reverse Polarity - occurs when the electrode holder is connected to the positive pole of the welding machine. Reverse Polarity directs more heat into melting the electrode rather than the work piece. It is used on thinner material.

DC Straight Polarity - occurs when the electrode holder is connected to the negative pole of the welding machine. With straight polarity more heat is directed to the work piece for better penetration on thicker material.

Electrode - a coated metal wire having approximately the same composition as the material being welded.

Fillet Weld - approximately a triangle in cross-section, joining two surfaces at right angles to each other in a lap, T or corner joint.

Flux - a coating, when heated, that produces a shielding gas around the welding area. This gas protects the parent and filler metals from impurities in the air.

Flux Cored Arc Welding (FCAW) - also called Gasless, is a welding process

used with a wire-feed welding machine. The weld wire is tubular with flux material contained inside for shielding.

Gas Metal Arc Welding (GMAW) - also called MIG, is a welding process used with a wire feed welding machine. The wire is solid and an inert gas is used for shielding.

Gas Tungsten Arc Welding (GTAW) - also called TIG, is a welding process used with welding equipment with a high frequency generator. The arc is created between a non-consumable tungsten electrode and the work piece. Filler metal may or may not be used.

Lap Joint - a joint between two overlapping members in parallel planes.

Open Circuit Voltage (OCV) - the voltage between the electrode and the work clamp of the welding machine when no current is flowing (not welding). The OCV determines how quickly the arc is struck.

Overlap - occurs when the amperage is set too low. In this instance, the molten metal falls from the electrode without actually fusing into the base metal.

Porosity - gas pockets, or cavities, formed during weld solidification. They weaken the weld.

Penetration - the depth into the work piece that has been heat effected by the arc during the welding process. A good weld achieves 100% penetration meaning that the entire thickness of the work piece has been heated and resolidified. The heat effected area should be easily seen on the opposite side of the weld.

Shielded Metal Arc Welding (SMAW) - also called Stick, is a welding process with uses a consumable electrode to support the arc. Shielding is achieved by the melting of the flux coating on the electrode.

Slag - a layer of flux soot that protects the weld from oxides and other

contaminants while the weld is solidifying (cooling). Slag should be removed after weld has cooled.

Spatter - metal particles thrown from the weld which cool and harden on the work surface. Spatter can be minimized by using a spatter resistant spray on the work piece before welding.

Tack Weld - weld made to hold parts in proper alignment until final welds are made.

Travel Angle - the angle of the electrode in the line of welding. It varies from 5° to 45° depending on welding conditions.

T Joint - made by placing the edge of one piece of metal on the surface of the other piece at approximately a 90° angle.

Undercut - a condition that results when welding amperage is too high. The excessive amperage leaves a groove in the base metal along both sides of the bead which reduces the strength of the weld.

Weld Pool or Puddle - a volume of molten metal in a weld prior to its solidification as weld metal.

Weld Bead - a narrow layer or layers of metal deposited on the base metal as the electrode melts. Weld bead width is typically twice the diameter of the electrode.

Work Angle - the angle of the electrode from horizontal, measured at right angles to the line of welding.

S'il vous plaît lire et conserver ces instructions. Lire attentivement avant de monter, installer, utiliser ou de procéder à l'entretien du produit décrit. Se protéger ainsi que les autres en observant toutes les instructions de sécurité, sinon, il y a risque de blessure et/ou dégâts matériels! Conserver ces instructions comme référence.



Soudeur À L'Arc Alimenté En Fil



Description

Le Campbell Hausfeld WF2010 est un poste de soudage à l'arc 70 ampères, 115 volts monophasé, à fil continu, équipé d'un régulateur de vitesse infini permettant d'ajuster la distribution du fil selon les besoins. Toutes ces pièces internes sont protégées thermostatiquement.

Cet appareil a été conçu uniquement pour le soudage à l'arc avec fil fourré (sans gaz). À sa sortie d'usine, l'appareil peut utiliser du fil fourré de 0,030 po (0,8 mm) à 0,035 po (0,9 mm) de diamètre. Il comprend une bobine de départ de 0,035 po.

Déballage

Quelques pièces détachées du soudeur peuvent être situées dans le compartiment d'alimentation en fil. Lors du déballage, l'examiner soigneusement pour rechercher toute trace de dommage susceptible de s'être produit en cours de transport. S'il y a des pièces endommagées ou manquantes, composer le (800) 746-5641.

Exigences De Circuit

⚠ ATTENTION

Cet équipement requiert un circuit unique de 115 V. Se référer au tableau suivant pour le disjoncteur ou la classification de fusible correcte. Ne pas faire fonctionner les appareils électroménagers, les lampes ou les outils sur ce circuit pendant l'utilisation de cet équipement. Les cordons prolongateurs ne sont pas recommandés. Manque de suivre ces directives peut causer des fusibles sautés et des disjoncteurs déclenchés.

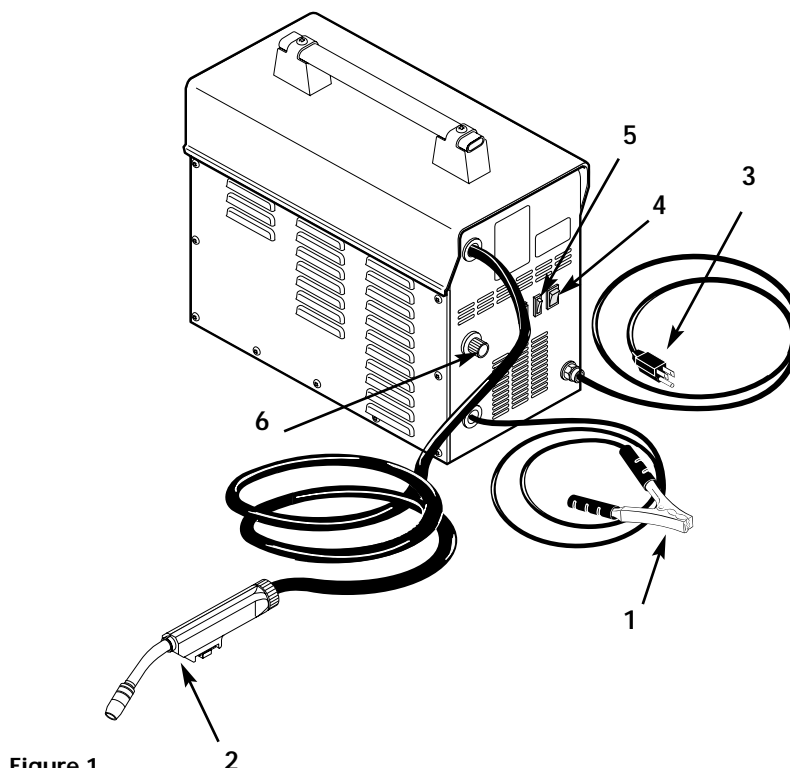


Figure 1

Sélecteur de Chaleur	Disjoncteur ou Fusée à Retardement	
Bas	15 A	
Haut	20 A	

Commandes et Pièces Détachées

1. Collier de mise à la terre - fixer à l'objet de travail.
2. Pistolet d'alimentation en fil
3. Cordon d'alimentation - brancher dans une prise de courant 115 V.
4. Interrupteur On/Off - s'allume si le thermostat a coupé le modèle automatiquement.

5. Sélecteur de chaleur - Sélecteur de puissance (Haut/Bas - "High/Low").
6. Commande de réglage de vitesse de fil infini - tourner au sens des aiguilles d'une montre pour augmenter la vitesse de fil et tourner au sens inverse des aiguilles d'une montre pour réduire la vitesse du fil.

Généralités Sur La Sécurité

⚠ DANGER

Danger indique: Manque de suivre cet avertissement causera la perte de vie ou blessures graves.

⚠ AVERTISSEMENT

Avertissement indique: Manque de suivre cet

Généralités Sur La Sécurité (Suite)

avertissement peut causer la perte de vie ou blessures graves.

ATTENTION Attention indique:

Manque de suivre cet avertissement peut causer des blessures (petites ou moyennes) ou dommage matériel.

REMARQUE: Remarque indique: Information additionnel concernant le produit ou son utilisation.

AVERTISSEMENT

Toujours avoir un extincteur d'incendie disponible pendant le soudage à arc.



- Lire et comprendre toutes instructions avant de démarrer un soudeur à l'arc ou de procéder à son entretien. Manque de suivre les précautions et instructions de sécurité peut avoir comme résultat, dommage à l'équipement et/ou blessures graves, perte de vie.
- Tous installation, entretien, réparation et utilisation de cet équipement doit être effectué par des personnes qualifiées conformément aux codes nationaux, provinciaux et locales.

AVERTISSEMENT

L'utilisation incorrecte des soudeurs à l'arc électriques peuvent causer des secousses électriques, blessures et perte de vie. Suivre toutes les précautions indiquées dans ce manuel afin de réduire le risque de secousse électrique.



- S'assurer que toutes les pièces détachées du soudeur à l'arc soient propres et en bon état avant d'utiliser le soudeur. S'assurer que l'isolation sur tous câbles, pistolets d'alimentation en fil et cordons d'alimentation ne soient pas endommagés. Toujours réparer ou remplacer les pièces détachées endommagées avant d'utiliser le soudeur. Toujours garder les panneaux, écrans de soudage, etc. en place pendant l'utilisation du soudeur.
- Toujours porter des vêtements protecteurs et gants de soudage secs ainsi que des chaussures isolantes.

- Toujours faire fonctionner le soudeur dans un endroit propre, sec et bien ventilé. Ne jamais utiliser un soudeur dans un endroit humide, trempe, pluvieux ou mal-ventilé.
- S'assurer que l'objet sur lequel vous travaillez soit bien fixé et mis à la terre correctement avant de commencer le soudage électrique à l'arc.
- Le câble de soudage roulé devrait être étendu avant l'utilisation afin d'éviter le surchauffage et le dommage à l'isolation.

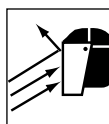
DANGER Ne jamais immerger

le fil ni le pistolet dans l'eau. Si le soudeur devient trempé, il est nécessaire qu'il soit complètement sec et propre avant l'utilisation!

- Toujours mettre l'équipement hors circuit et le débrancher avant de le déplacer.
- Toujours brancher le conducteur de travail en premier lieu.
- Vérifier que l'objet de travail soit mis à la terre correctement.
- Toujours mettre l'équipement de soudage électrique à l'arc hors circuit s'il n'est pas en usage et couper l'excès de fil du pistolet.
- Ne jamais permettre que votre corps touche le fil fourré de flux et la terre ni l'objet de travail mis à la terre simultanément.
- Si vous êtes accroupis, à genoux ou aux élévations, s'assurer que toutes les pièces conductrices soient isolées. Porter des vêtements protecteurs convenables et prenez précaution contre les chutes afin d'éviter des blessures.
- Ne jamais essayer d'utiliser cet équipement au delà des réglages de courant ou des facteurs d'utilisation indiqués sur les étiquettes.
- Ne jamais utiliser un soudeur électrique à l'arc pour dégeler les tuyaux congelés.

AVERTISSEMENT

Les étincelles volantes et le métal chaud peuvent causer des blessures. La scorie peut s'échapper pendant le refroidissement des soudures. Suivre toutes les directives et précautions indiquées

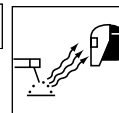


dans ce manuel pour réduire la possibilité de blessures causées par les étincelles volantes et le métal chaud.

- Porter un masque de soudeur approuvé par ANSI ou des lunettes protectrices avec écrans protecteurs de bords pendant le burinage ou l'ébarbage des pièces en métal.
- Utiliser des protège-tympons pour le soudage aérien afin d'éviter que la scorie ou la bavure tombe dans les oreilles.

AVERTISSEMENT

Le soudage électrique à l'arc produit la lumière et la chaleur intense et les rayons ultraviolets (UV) rays. Cette lumière intense et ces rayons UV peuvent causer des blessures aux yeux et à la peau. Prenez toutes précautions indiquées dans ce manuel afin de réduire la possibilité de blessures aux yeux et à la peau.



- Toutes personnes qui utilisent cet équipement ou qui sont présentes là où l'équipement est utilisé doivent porter des vêtements de soudage protecteurs y compris: casque de soudeur ou écran avec protection filtrante d'au moins 10, un vêtement ignifugé, des gants de soudeur en cuir et des souliers de protection.

AVERTISSEMENT Ne jamais observer

le soudage sans la protection pour les yeux indiquée ci-dessus. Ne jamais utiliser une lentille filtrante qui est fendue, cassée, ou classifiée moins que le numéro 10. Avertir les autres personnes dans l'endroit de ne pas observer l'arc.

AVERTISSEMENT

Le soudage électrique à l'arc produit des étincelles et chauffe le métal aux températures qui peuvent causer des brûlures sévères! Utiliser des gants et vêtements protecteurs pendant n'importe quel travail de métal. Prenez toutes les précautions indiquées dans ce manuel afin de réduire la possibilité de brûlures de peau ou de vêtements.



- S'assurer que toutes personnes dans l'endroit de soudage soient protégées contre la chaleur, les étincelles et les rayons ultraviolets.
- Ne jamais toucher les objets de travail avant qu'ils se refroidissent complètement.

Généralités Sur La Sécurité (Suite)

⚠️ AVERTISSEMENT



La chaleur et les étincelles qui sont produits pendant le soudage électrique à l'arc et autres travaux de métal peuvent allumer les matériaux inflammables et explosifs! Prenez toutes précautions indiquées dans ce manuel afin de réduire la possibilité de flammes et d'explosions.

- Enlever tous matériaux inflammables à moins de 35 pieds (10.7 mètres) de l'arc de soudage. Si ceci n'est pas possible, couvrir les matériaux inflammables avec des couvertures incombustibles.
- Ne pas utiliser un soudeur électrique à l'arc dans les endroits qui contiennent des vapeurs inflammables ou explosives.
- Prenez toutes précautions pour s'assurer que les étincelles volantes et la chaleur ne produisent pas de flammes dans des endroits cachés, fentes, à l'arrière des cloisons, etc.

⚠️ AVERTISSEMENT



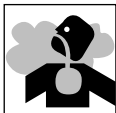
Risque d'incendie! Ne pas souder les récipients ni les tuyaux qui contiennent ou ont contenu des matériaux inflammables ou combustibles gazeux ou liquides.

⚠️ AVERTISSEMENT



Le soudage à l'arc des cylindres ou récipients fermés tels que les réservoirs ou bidons peuvent causer une explosion s'ils ne sont pas bien ventilés! Vérifier qu'il y ait un trou de ventilation suffisant dans n'importe quel cylindre ou récipient pour permettre la ventilation des gaz en expansion.

⚠️ AVERTISSEMENT



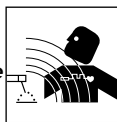
Ne pas inspirer les vapeurs qui sont produits par le soudage à l'arc. Ces vapeurs sont dangereuses. Utiliser un respirateur si l'endroit de soudage n'est pas bien ventilé.

- Garder la tête et le visage hors des vapeurs de soudage.
- Ne pas exécuter le soudage électrique à l'arc sur les métaux qui

sont galvanisés ou plaqués en cadmium, ou qui contiennent le zinc, le mercure, ou le beryllium sans suivre les précautions suivantes:

- Enlever l'enduit du métal commun.
- S'assurer que l'endroit de soudage soit bien ventilé.
- Utiliser un respirateur à air fourni. Des vapeurs extrêmement toxiques sont produites pendant le chauffage de ces métaux.

⚠️ AVERTISSEMENT



Le champ électro-magnétique qui est produit pendant le soudage à l'arc peut causer de l'interférence avec le fonctionnement de plusieurs appareils électriques tels que les pacemakers cardiaques. Toutes personnes qui utilisent ces appareils doivent consulter leur médecin avant d'exécuter le soudage électrique à l'arc.

- Ne jamais envelopper les câbles de soudage à l'arc autour de votre corps.
- L'exposition aux champs électromagnétiques peut avoir autres réactions inconnues concernant la santé.

⚠️ AVERTISSEMENT

Toujours s'assurer que l'endroit de soudage soit en état sûr et sans risques (étincelles, flammes, métal chauffé au rouge ou scorie) avant de partir. S'assurer que l'équipement soit hors circuit et que l'excès de fil soient coupés. S'assurer que les câbles soient roulés (sans serrer) et hors du chemin. S'assurer que tout métal et scorie soient refroidis.

NORMES DE SÉCURITÉ ADDITIONNELLES

Norme ANSI Z49.1 de l' American Welding Society, 550 N.W. LeJune Rd. Miami, FL 33126

Safety and Health Standards (Normes de Sécurité et de Santé)

OSHA 29 CFR 1910, du Superintendent of Documents, U.S. Government Printing Office, Washington, D.C. 20402

National Electrical Code (Code Électrique National)

Norme NFPA 70, du National Fire Protection Association, Batterymarch Park, Quincy, MA 02269

Safe Handling of Compressed Gases in Cylinders (Manipulation Sûre des Gaz Comprimés en Cylindres)

CGA Pamphlet P-1, du Compressed Gas Association, 1235 Jefferson Davis Highway, Suite 501, Arlington, VA 22202

Cutting And Welding Processes (Procédés de Coupage et de Soudage)

Norme NFPA 51B, du National Fire Protection Association, Batterymarch Park, Quincy, MA 02269

Safe Practices For Occupational And Educational Eye And Face Protection (Règlements Professionnels et D'Éducation de Sécurité pour la Protection des Yeux et du Visage)

Norme ANSI Z87.1, de l'American National Standards Institute, 1430 Broadway, New York, NY 10018

Installation

ENDROIT

La sélection d'un bon endroit peut augmenter le rendement, sûreté de fonctionnement et la vie du soudeur à l'arc.

- Pour un meilleur résultat, situer le soudeur dans un endroit propre et sec.
- Entrez le fil fourré dans un endroit propre et sec afin de protéger son revêtement.
- L'usage d'un cordon prolongateur n'est pas recommandé pour les soudeurs électriques à l'arc. La perte de tension dans le cordon prolongateur peut réduire le rendement du soudeur.

Montage

MONTAGE DE LA POIGNÉE

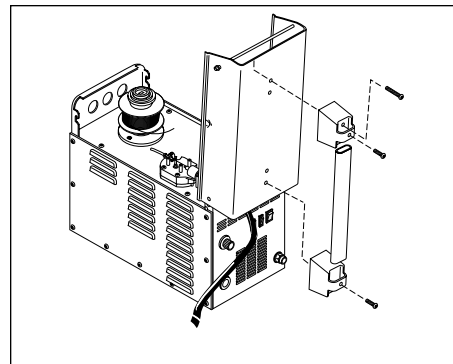


Figure 2 - Montage de la Poignée

1. Retirer les tiges à chaque extrémité du couvercle de distribution du fil et soulever le couvercle.

Montage (suite)

2. Boulonner sur le couvercle les fixations en plastique de la poignée (Figure 2).
3. Glisser la poignée métallique dans les fixations et fixer avec les vis.

PINCE DE CONTACT

1. Desserrer le boulon hexagonal de la pince de contact.
2. Passer le câble (identifié "Work" sur la façade de l'appareil) dans la poignée de la pince et introduire l'extrémité dénudée du câble sous la borne de la pince. Serrer le boulon en s'assurant que le fil est solidement fixé (Figure 3).

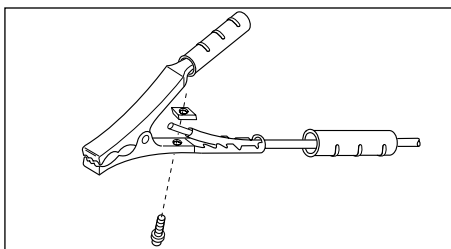


Figure 3 - Assemblage de la pince de contact

INSTALLATION DE FILS

AVERTISSEMENT Même si

l'interrupteur du pistolet n'est pas actionné, le courant de soudage traverse les bornes, la bobine de distribution, la pince de contact, la prise de câble du pistolet et le fil de soudage. Ne pas toucher ces éléments lorsque le poste de soudage est sous tension.

REMARQUE: Avant d'installer le fil de soudage, s'assurer que son diamètre convient à la pointe de contact à l'extrémité du pistolet. Le calibre du fil est indiqué en pouce ou millimètre sur la pointe de contact. (Voir tableau ci-dessous)

Marques Taille de fil	De Pointe de Contact	De Contact mm
.030"	ou	0,8
.035"	ou	0,9

1. S'assurer que le poste est hors tension et soulever le couvercle donnant accès au mécanisme de distribution du fil.
2. Enlever la serrure rapide de la bobine en appuyant et tournant 1/4 de tour au sens inverse des aiguilles d'une montre. Le bouton, ressort et bague d'espacement de la bobine peuvent être enlevés.

3. Desserrer la vis de tension sur le dispositif d'alimentation afin de permettre l'avancement initial à la main du fil dans la chemise du pistolet.
4. Installer la bobine sur la broche afin que le fil puisse sortir de la bobine au bout le plus près du tube de guidage d'avance. **Ne pas couper le fil tout de suite.** Installer la bague d'espacement, le ressort et le bouton de serrage rapide en appuyant et tournant le bouton 1/4 de tour au sens des aiguilles d'une montre.

5. Tenir et couper le fil du bout de la bobine. Ne pas permettre que le fil se démêle. S'assurer que le bout du fil soit droit et sans ébarbures.
6. Avancer le fil à travers du tube de guidage du dispositif d'alimentation, par dessus de l'encoche dans le rouleau d'entraînement et dans la chemise du pistolet. Serrer la vis de tension du dispositif d'alimentation de fil. Ne pas trop serrer.
7. Enlever la buse en tournant dans le sens contraire de celui des aiguilles d'une montre. Ensuite dévisser la buse de contacte du bout du chalumeau. (Voir Figure 6). Brancher l'appareil dans une prise de courant réglementaire.

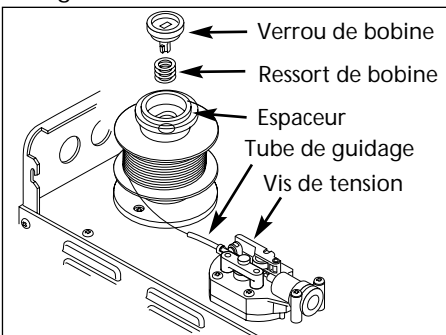


Figure 4 - Parcours du fil de soudage

8. Mettre le soudeur en marche et régler la vitesse du fil à 8. Régler l'interrupteur du pistolet jusqu'à ce que le fil s'avance et dépasse le bout du chalumeau. (Voir Figure 5). Mettre le soudeur hors circuit.

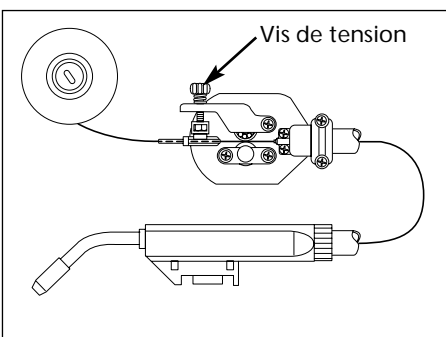


Figure 5 - Pistolet d'alimentation en fil

9. Enfiler délicatement la pointe de contact sur le fil et la visser sur l'extrémité de la torche (voir Figure 6). Installer la buse en la vissant et en la poussant. Tailler le fil environ 1/4 po du bout de la buse.

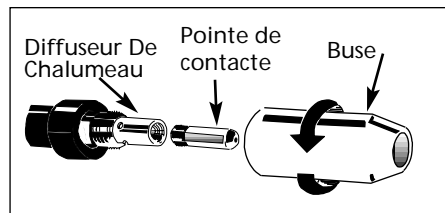


Figure 6 - Buse de la torche

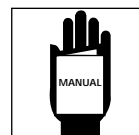
FACTEUR D'UTILISATION/ PROTECTION THERMOSTATIQUE

Le facteur d'utilisation de soudage est le pourcentage du temps de soudage actuel qui peut se faire dans un interval de dix minutes. Par exemple, le soudage actuel peut se produire pour une minute à un facteur d'utilisation de 10%, et ensuite, le soudeur doit se refroidir pour neuf minutes.

Les pièces détachées internes de ce soudeur sont protégées contre le surchauffage avec un interrupteur automatique thermique. Un témoin jaune s'allume sur le panneau avant (interrupteur on/off) si le cycle de fonctionnement est dépassé. Continuer avec le soudage quand la lampe n'est pas allumée.

Fonctionnement

1. Avant d'utiliser cet appareil, il est important de lire, de comprendre et de respecter toutes les mesures de sécurité décrites dans la section intitulée Généralités sur la sécurité et Directives de soudage.
2. Vérifier que le soudeur soit hors circuit (OFF).
3. Vérifier que les surfaces du métal soient libres de saleté, rouille, peinture, huile, écailles ou autres polluants avant de les souder ensemble. Ces polluants rendent la soudure difficile et peuvent causer de mauvaises soudures.



AVERTISSEMENT Toutes personnes utilisant cet équipement ou qui sont dans l'endroit pendant l'utilisation de l'équipement doivent porter des

Fonctionnement (suite)

vêtements de soudage protecteurs y compris: protection oculaire avec lentille correcte, vêtements incombustibles, gants de soudeur en cuir, et protection complète pour les pieds.

ATTENTION

Le fil de

soudage est toujours sous tension lorsque le poste de soudage est en marche - que le pistolet soit actionné ou non.

AVERTISSEMENT



Pour le chauffage, soudage ou coupage des matériaux galvanisés, plaqué en zinc, plomb, ou en cadmium, se référer à la section Généralités Sur La Sécurité pour plus d'informations. Des vapeurs extrêmement toxiques sont produites pendant le chauffage de ces métaux.

- Raccorder le collier de mise à la terre à l'objet de travail ou à l'établi (si en métal). S'assurer que le contact soit sûr et non-pollué par la peinture, le vernis, la corrosion, ou autres matériaux non-métalliques.
- Régler le Régulateur de Chaleur situé sur le panneau d'avant.

Épaisseur du métal	Réglage de température
Épaisseur 14-20	Bas
Au-delà de 14	Haut

REMARQUE: Ces réglages sont établis comme guides généraux. Les réglages de chaleur sont variables selon les conditions de soudage et le matériel utilisé.

- Commencer avec un réglage de commande de vitesse numéro 5, et l'ajuster si nécessaire après la première soudure d'essai.
- Brancher le cordon d'admission dans une prise de courant convenable avec capacité en circuits correcte (Voir le Tableau dans la section spécifications à la page 1).
- Mettre l'interrupteur ON/OFF de l'appareil à la position ON.
- Vérifier que le fil dépasse la pointe de contact par 1/4 po, sinon, appuyer sur la gâchette pour avancer le fil, relâcher la gâchette et tailler le fil.
- Mettre le pistolet près de l'objet de travail, baisser le casque de soudeur en inclinant la tête ou mettre l'écran

à main en position, et appuyer sur la gâchette. Ajuster le réglage de chaleur et la vitesse du fil si nécessaire.

- Une fois fini, mettre le soudeur hors circuit (off) et l'entreposer correctement.

Entretien

AVERTISSEMENT

Débrancher et

mettre la machine hors circuit avant de vérifier ou de procéder à l'entretien de n'importe quelle pièce détachée. Toujours garder le couvercle du compartiment de fil fermé sauf pendant le changement du fil.

Avant chaque usage;

- Vérifier la condition des câbles de soudage et réparer ou remplacer immédiatement, les câbles dont l'isolation est endommagée.
- Vérifier la condition du cordon d'alimentation et le réparer ou le remplacer immédiatement si endommagé.
- Inspecter la condition du bout du pistolet et de la buse. Enlever la scorie, si présente. Remplacer le bout du pistolet ou la buse si endommagés.

AVERTISSEMENT

Ne pas utiliser

ce soudeur si l'isolation sur les câbles de soudage, le pistolet, ou le cordon d'alimentation est fendu ou manquant.

Chaque 3 mois:

- Remplacer toutes étiquettes de sécurité sur le soudeur qui ne sont pas lisibles.
- Utiliser de l'air comprimé pour souffler toute la poussière des ouvertures de ventilation.
- Nettoyer l'encoche de fil sur le rouleau d'entraînement. Enlever le fil du dispositif d'alimentation, enlever les vis du carter du rouleau d'entraînement. Utiliser une petite brosse métallique pour nettoyer le rouleau d'entraînement. Remplacer si usé ou endommagé.

Pièces Consommables Et Qui Peuvent S'User

Les pièces suivantes exigent de l'entretien ordinaire:

- Rouleau d'entraînement d'alimentation de fil
- Chemise du pistolet - remplacer si usé
- Buse/buses de contact
- Fil - Ce soudeur acceptera les bobines de diamètre 4 po ou 8 po. Le fil fourré est sensible à l'humidité et

s'oxyde avec le temps. Il est donc important de choisir une bobine dont la grosseur correspond à environ 6 mois d'utilisation. Utiliser des bobines de type AWS E71T-GS ou AWS E71T-11, de 0,030 po (0,8 mm) ou de 0,035 po (0,9 mm) de diamètre.

Directives De Soudage

Généralités

Cette série de poste de soudage est conçue pour le soudage à l'arc au fil fourré (sans gaz). Le cordon de soudage doit être protégé contre la contamination dans l'air pendant qu'il est fondu. Le procédé Sans Gaz utilise un fil tubulaire avec un matériel flux à l'intérieur. Le flux fondu produit un gaz protecteur. Quand le courant est produit par un transformateur (machine à souder) et passe à travers du circuit à un fil de soudage, un arc est produit entre le bout du fil à soudage et l'objet de travail. Cet arc fond le fil et l'objet. Le métal fondu du fil à soudage s'écoule dans le cratère fondu et produit un adhérence avec l'objet de travail indiqué ci-dessous (Figure 7).

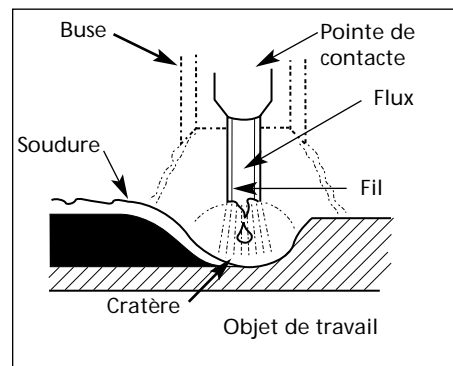


Figure 7 - Pièces détachées de soudage

Principes Du Soudage à L'Arc

Les cinq techniques qui ont un effet sur la qualité de la soudure sont: la sélection du fil, le réglage de chaleur, l'angle de soudure, la vitesse du fil et la vitesse de déplacement. La compréhension de ces méthodes est nécessaire afin d'atteindre une soudure efficace.

RÉGLAGE DE CHALEUR

La chaleur correcte nécessite un ajustement du soudeur au réglage exigé. Sélectionner le réglage de chaleur en fonction de l'épaisseur de la pièce à souder. Se référer aux spécifications indiquées sur le soudeur ou sur la table dans la section de Fonctionnement. Il est recommandé

Directives De Soudage (Suite)

que le soudeur se pratique sur des morceaux de métal afin d'ajuster les réglages, et comparer les soudures avec la Figure 12.

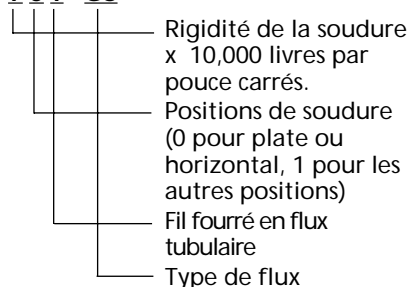
TYPE ET TAILLE DE FILS

Le choix correct du fil comprend une variété de facteurs telles que la position de soudage, le matériel de l'objet de travail, l'épaisseur et la condition de la surface. L'American Welding Society, AWS, a organisé certaines exigences pour chaque type de fil.

La classification AWS pour fil protégé (Procédé sans-gaz) est une série de numéros commençant avec la lettre E.

FIL FOURRÉ DE FLUX

E - 7 0 T - GS



AWS E71T-GS ou E71T-11 sont recommandés pour ce soudeur.

ANGLE DE SOUDURE

L'angle de soudage est l'angle d'inclinaison de la buse pendant le soudage. L'angle de soudure

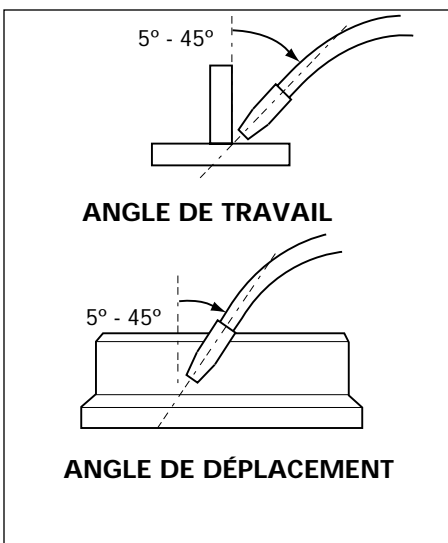


Figure 8 - Angle de soudure

comprend deux positions - l'angle de déplacement et l'angle de travail. L'angle de déplacement est l'angle situé dans la ligne de la soudure et peut varier entre 5° et 45° du vertical selon les conditions de soudage.

L'angle de travail est l'angle horizontal, mesuré aux angles droits à la ligne de soudage. Pour la plupart des applications, un angle de déplacement de 45° et un angle de travail de 45° sont suffisants. Pour les usages spécifiques, consulter un manuel de soudage à l'arc.

VITESSE DE FIL

La vitesse de fil est réglée par le bouton sur le panneau d'avant. La vitesse doit être "réglée" selon le taux auquel le fil est fondu dans l'arc. Une vitesse trop lente causera un crachement et le fil se brûlera dans la pointe de contact. Une vitesse trop rapide peut aussi causer un bruit de crachement et le fil s'enfoncera dans la plaque avant de se fondre.

VITESSE DE DÉPLACEMENT

La vitesse de déplacement est la vitesse auquel le fil est dirigé le long de la surface de soudage. Le diamètre et le type de fil à soudage, l'ampérage, la position et l'épaisseur de l'objet de travail ont tous un effet sur la vitesse de déplacement et peuvent avoir un effet sur la qualité de la soudure (Voir Figure 12). Lorsque la vitesse est trop rapide, le cordon est étroit et les ondulations du cordon sont pointus comme indiqué. Lorsque la vitesse est trop lente, la soudure se tasse et le cordon est haut et large.

ENLEVAGE DE SCORIE (FIL FOURRÉ DE FLUX SEULEMENT)

AVERTISSEMENT

Porter des

lunettes protectrices approuvées ANSI (ANSI Standard Z87.1) et des vêtements protecteurs pendant l'enlèvement de la scorie chaude. Le débris chaud et volant peut causer des blessures aux personnes dans l'endroit.

Après avoir complété la soudure, attendre que les sections de soudage se refroidissent. Une couche protectrice appelée scorie couvre le cordon de soudure et empêche la réaction du métal fondu avec les polluants dans

l'air. La scorie peut être enlevée une fois que la soudure s'est refroidie et n'est plus rouge. Enlever la scorie avec un marteau à buriner. Frapper la scorie légèrement avec le marteau et la dégager du cordon de soudure. Finir avec une brosse métallique. Enlever la scorie avant chacune des passes multiples.

POSITIONS DE SOUDAGE

Il y a quatre positions générales de soudage; plate, horizontale, verticale et aérienne. Le soudage dans une position plate est la plus facile. La vitesse peut être augmentée, le métal fondu coule moins, une meilleure pénétration est possible et le travail est moins fatiguant. Le soudage est effectué avec le fil à un angle de déplacement de 45° et un angle de travail de 45°.

Autres positions exigent autres techniques telles que le tissage, passe circulaire et le jogging. Un niveau de plus grande compétence est exigé pour ces soudures.

Tout le travail devrait être effectué dans la position plate si possible. Pour les applications spécifiques, consulter un manuel technique de soudage.

PASSES DE SOUDAGE

Quelques fois il est nécessaire d'utiliser plus d'une passe pour remplir le joint. La première passe est la passe de base, suivie par la passe de remplissage et la passe de finition (Voir Figures 9 et 10). Si les pièces sont épaisses, il peut être nécessaire de bisauter les bords qui sont unis à un angle de 60°. Enlever la scorie avant chaque passe.

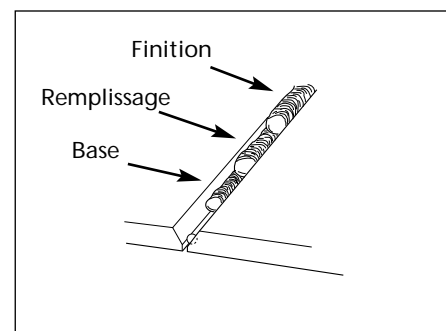


Figure 9 - Passes de soudure

Directives De Soudage (Suite)

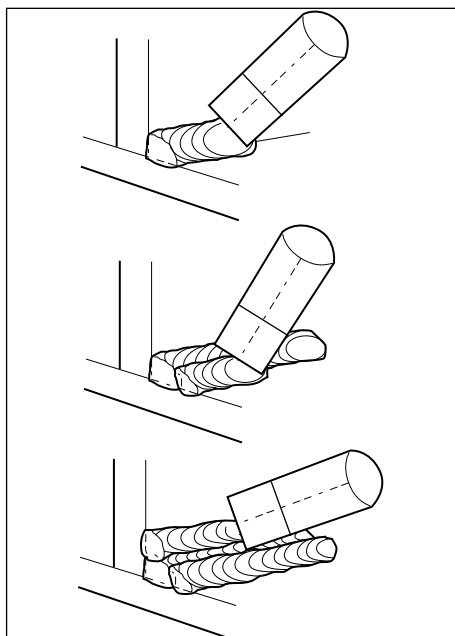


Figure 10 - Passes multiples

TECHNIQUE POUSSER VS TIRER

Le type et l'épaisseur de la pièce de travail agissent sur la direction de la buse du pistolet. Pour des matériaux minces, (taille 18 et plus), la buse devrait être dirigée en avant de la flaque de soudure et devrait **pousser** la flaque à travers de l'objet de travail. Pour de l'acier épais, la buse devrait être dirigée dans la flaque de soudure pour augmenter la pénétration de la soudure. Ceci est la technique main-arrière ou **tirer** (Voir Figure 11).

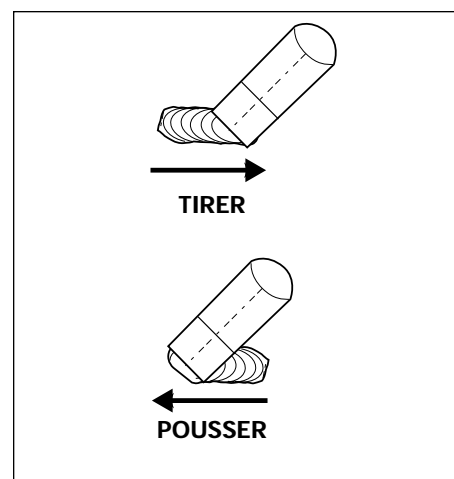


Figure 11

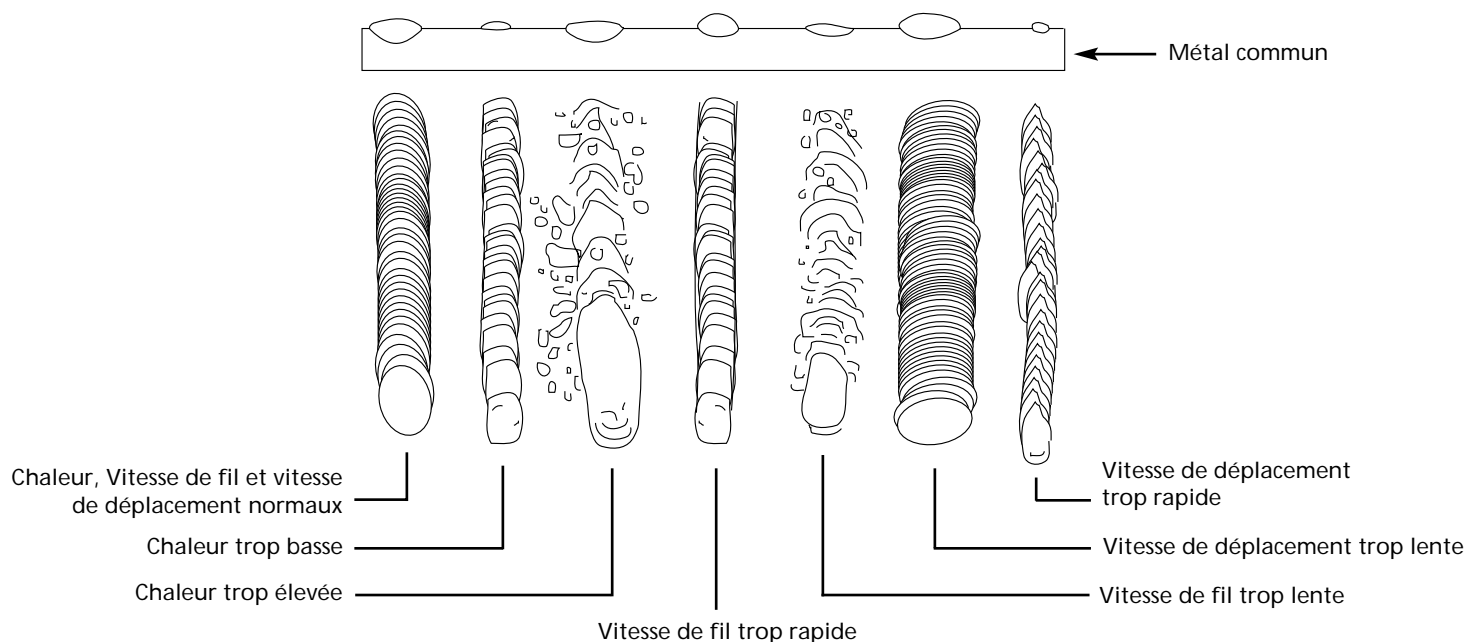


Figure 12 - Apparence de la soudure

Remplacement du cordon d'alimentation électrique

1. Débrancher le poste de soudage.
2. Enlever le panneau de droite.
3. Débrancher les fils blanc et noir du cordon d'alimentation reliés à l'interrupteur ON/OFF.
4. Débrancher le fil vert du cordon d'alimentation relié au châssis de l'appareil.
5. Desserrer la vis de serrage du cordon d'alimentation et le retirer du panneau de façade.
6. Installer le nouveau cordon en procédant à l'inverse.

Pour des informations concernant ce produit, composer 1-800-746-5641

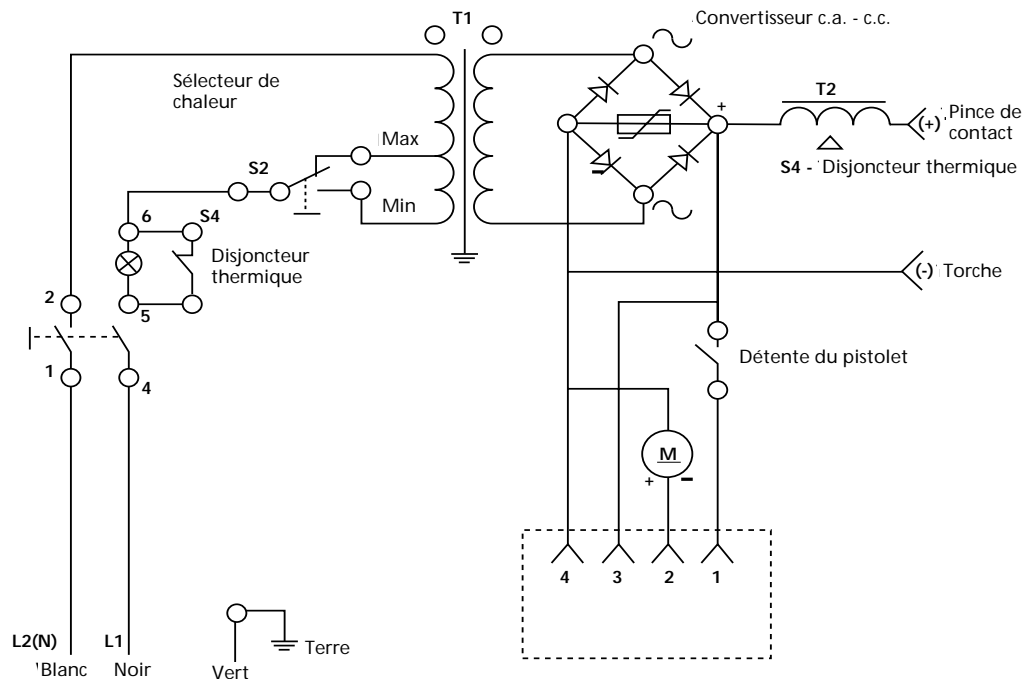
Guide de dépannage - Soudeur

Symptôme	Cause(s) Possible(s)	Mesure Corrective
Manque de puissance	<ol style="list-style-type: none"> 1. Facteur d'utilisation dépassé 2. Raccord au collier de mise à la terre insuffisant 3. Interrupteur défectueux 4. Disjoncteur ou fusible sauté 	<ol style="list-style-type: none"> 1. Permettre que le soudeur se refroidisse jusqu'à ce que la lampe de l'indicateur ON/OFF s'éteint 2. S'assurer que tous les raccordements soient sûrs et que la surface d'attache soit propre 3. Remplacer l'interrupteur 4. Réduire la charge sur le circuit, rajuster le disjoncteur ou remplacer le fusible
Le fil s'emmêle au rouleau d'entraînement	<ol style="list-style-type: none"> 1. Bout du pistolet de taille incorrecte 2. Chemise du pistolet obstruée ou endommagée 3. Bout du pistolet obstrué ou endommagé 4. Rouleau d'entraînement usé 5. Tension insuffisante 	<ol style="list-style-type: none"> 1. Utiliser un bout de taille correcte 2. Nettoyer ou remplacer la chemise 3. Nettoyer ou remplacer le bout 4. Remplacer 5. Serrer la vis de tension
La buse du pistolet arc à la surface de travail	Scorie dans la buse du pistolet	Nettoyer la scorie de la buse du pistolet
Collier de mise à la terre et/ou le câble deviennent chauds	Raccordement insuffisant	S'assurer que tous les raccordements soient sûrs et que la surface d'attache soit propre
Le fil ne s'avance pas	<ol style="list-style-type: none"> 1. Fil étranglé 2. Plus de fil 3. Tension insuffisante 4. Chemise de fil usée 5. Fusible sauté 	<ol style="list-style-type: none"> 1. Recharger le fil 2. Remplacer la bobine de fil 3. Serrer la vis de tension si le fil patine 4. Remplacer la chemise 5. Remplacer la fusible sur la plaque de contrôle d'entraînement de fil dans le soudeur (retard 16 ampères)

Guide de dépannage - Soudures

Symptôme	Cause(s) Possible(s)	Mesure Corrective
Cordon de soudure trop mince par intervalles	<ol style="list-style-type: none"> 1. Vitesse de déplacement irrégulière 2. Réglage de chaleur de sortie trop bas 	<ol style="list-style-type: none"> 1. Diminuer et maintenir une vitesse de déplacement constante 2. Augmenter le réglage de chaleur de sortie
Cordon de soudure trop épais par intervalles	<ol style="list-style-type: none"> 1. Vitesse de déplacement lente et/ou irrégulière 2. Réglage de chaleur de sortie trop élevé 	<ol style="list-style-type: none"> 1. Augmenter et maintenir une vitesse de déplacement constante 2. Diminuer le réglage de chaleur de sortie
Enfoncements en lambeaux au bord de la soudure	<ol style="list-style-type: none"> 1. Vitesse de déplacement trop rapide 2. Vitesse de fil trop rapide 3. Réglage de chaleur de sortie trop élevé 	<ol style="list-style-type: none"> 1. Diminuer la vitesse de déplacement 2. Diminuer la vitesse de fil 3. Diminuer le réglage de chaleur de sortie
Le cordon de soudure ne pénètre pas le métal commun	<ol style="list-style-type: none"> 1. Vitesse de déplacement irrégulière 2. Réglage de chaleur de sortie trop bas 	<ol style="list-style-type: none"> 1. Diminuer et maintenir une vitesse de déplacement constante 2. Augmenter le réglage de chaleur de sortie
Le fil crache et se colle	<ol style="list-style-type: none"> 1. Fil humide 2. Vitesse de fil trop rapide 	<ol style="list-style-type: none"> 1. Utiliser un fil sec et l'entreposer dans un endroit sec 2. Diminuer la vitesse de fil

Schéma d'installation de fils WF2010



Garantie Limitée 5-3-1

1. Durée: Le fabricant garantit la réparation, sans frais pour les pièces et main-d'oeuvre, le Soudeur, le Pistolet Soudeur, Câbles, qui se sont révélés défectueux en matière ou fabrication, pendant les durées suivantes après la date d'achat initial:

Pour 5 Ans: Le Transformateur de Soudeur et Redresseur

Pour 3 Ans: Le Soudeur En Entier (à l'exclusion des colliers, pistolet, câbles, ou accessoires emballés avec le soudeur)

Pour 1 An: Colliers De Mise À La Terre, Pistolet MIG, Porte-électrodes, Accessoires, et Câbles de Soudage (si applicable)

2. Garantie Accordée Par (Garant):

Campbell Hausfeld/ A Scott Fetzer Company
100 Production Drive
Harrison, OH 45030
Telephone: (513)-367-4811

3. Bénéficiaire De Cette Garantie (Acheteur): L'acheteur initial du produit Campbell Hausfeld .

4. Couverture De La Présenté Garantie: Défauts de matière et de fabrication qui se révèlent pendant la période de validité de la garantie. Cette garantie comprend le Soudeur, le Transformateur du Soudeur et Redresseur, Pistolet du Soudeur ou le Porte-Électrode, et câbles seulement.

5. La Présenté Garantie Ne Couvre Pas:

A. Les garanties implicites, y compris celles de commercialisabilité et D'ADAPTION À UNE FONCTION PARTICULIÈRE SONT LIMITÉES EN DURÉE À CETTE GARANTIE. Après cette durée, tout risques de perte, quoi que ce soit, devient la responsabilité de l'acheteur. Certaines Provinces n'autorisent pas de limitations de durée pour les garanties implicites. Les limitations précédentes peuvent donc ne pas s'appliquer.

B. TOUT DOMMAGE, PERTE OU DÉPENSE FORTUIT OU INDIRECT POUVANT RÉSULTER DE TOUT DÉFAUT, PANNE OU MAUVAIS FONCTIONNEMENT DU PRODUIT CAMPBELL HAUSFELD. Certaines Provinces n'autorisent pas l'exclusion ni la limitation des dommages fortuits ou indirects. La limitation ou exclusion précédente peut donc ne pas s'appliquer.

C. Les accessoires qui sont compris avec le produit et qui sont soumis à l'usure par l'usage normal; la réparation ou le remplacement de ces objets sont la responsabilité de l'acheteur. Ces pièces MIG comprennent, mais ne sont pas limités à; Pointes De Contact, Buses, Doublures de Pistolet, Rouleaux D'Entraînement, Nettoyant pour Fil en Feutre. Additionnellement, cette garantie ne comprend pas le dommage causé par le remplacement ou entretien prématuré des pièces USABLES précédentes.

D. Toute panne résultant d'un accident, d'une utilisation abusive, de la négligence ou d'une utilisation ne respectant pas les instructions données dans le(s) manuel(s) accompagnant le produit.

E. Service avant livraison, i.e. montage et ajustement.

7. Responsabilités Du Garant Aux Termes De Cette Garantie: Réparation ou remplacement, au choix du Garant, des produits ou pièces qui se sont révélés défectueux pendant la durée de validité de la garantie.

8. Responsabilités De L'Acheteur Aux Termes De Cette Garantie:

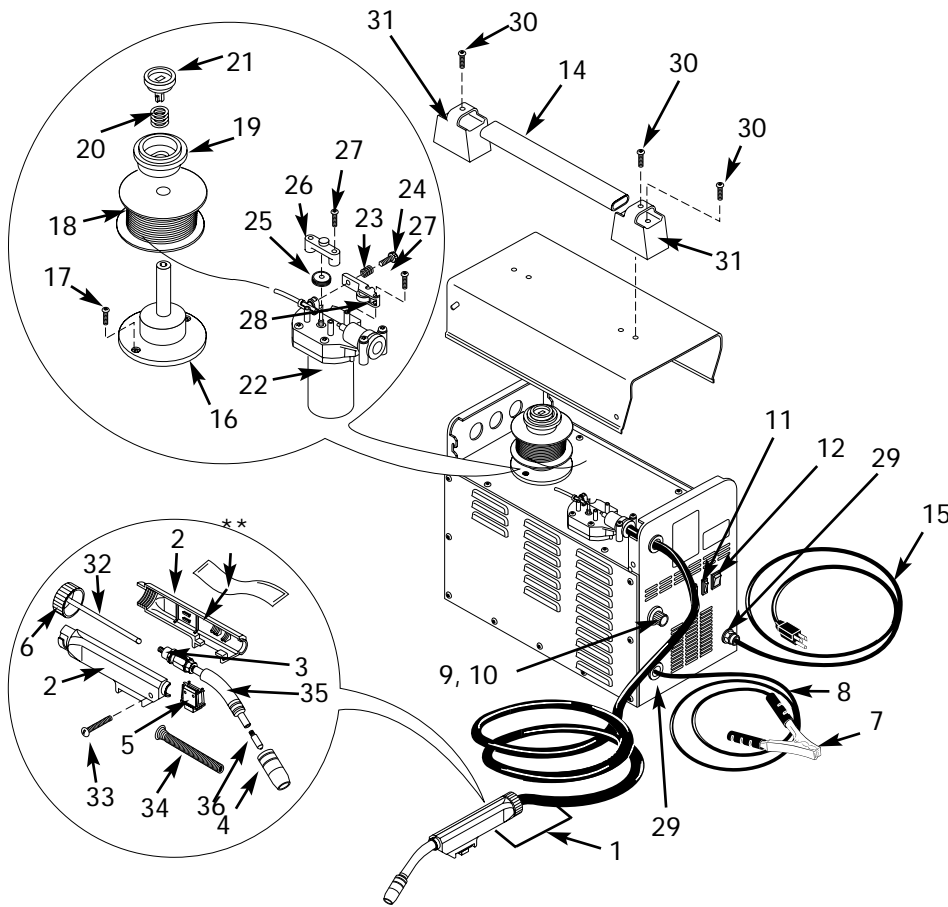
A. Livraison ou expédition du produit ou pièce Campbell Hausfeld à Campbell Hausfeld. Taux de frais , si applicable, sont la responsabilité de l'acheteur.

B. Utilisation et entretien du produit avec un soin raisonnable, ainsi que le décrit le(s) manuel(s) d'utilisation.

9. Réparation ou Remplacement Effectué Par Le Garant Aux Termes De La Présenté Garantie: La réparation ou le remplacement sera prévu et exécuté en fonction de la charge de travail dans le centre d'entretien et dépendra de la disponibilité des pièces de rechange.

Cette garantie limitée confère des droits précis. L'acheteur peut également jouir d'autres droits qui varient d'une Province à l'autre.

Pour pièces de rechange, composer 1-800-746-5641



S'in vous plaît fournir l'information suivante:

- Numéro de modèle
- Numéro de série (si applicable)
- Numéro et description de la pièce

Correspondance:
The Campbell Group
Attn: Parts Department
100 Production Drive
Harrison, Ohio 45030 U.S.A.

N° de Réf.	Description	Numéro de pièces	Qté.
1	Assemblage de chalumeau et tuyau	WC601200AJ	1
2	Corps du chalumeau, avant et arrière	WC600401AV	1
3	Raccord de chemise	WC600403AV	1
4	Buse	WT502100AJ	1
5	Détente du pistolet	WC600402AV	1
6	Molette de torche	WC600404AV	1
7	Collier de mise à la terre (cordon non-compris)	WC100000AV	1
8	Câble de soudage 6 AWG (6 pi)	*	1
9	Bouton de vitesse de fil	WC400201AV	1
10	Tableau de commande pour vitesse de fil	WC400700AV	1
11	Sélecteur LOW/HIGH	WC400300AV	1
12	Interrupteur On/off	WC400000AV	1
13	Décalcomanie de sécurité (pas indiquée)	DK670200AV	1
14	Poignée	WC301100AV	1
15	Cordon d'alimentation 14-3 AWG (6 pi) Type SJT	*	1
16	Broche de bobine	WC500600AV	1
17	Vis à métaux #10-32 x .5po	*	2
18	Fil fourré de flux diamètre .030po (.8mm)	WE200001AV	1
19	Fil fourré 0,035 po (0,9 mm) de diamètre, en option	WE200501AV	-
20	Adaptateur de bobine	WC500601AV	1
21	Ressort de bobine	WC500602AV	1
22	Moyeu de serrage de bobine	WC500603AV	1
23	Assemblage d'entraînement (Nos. 23-28 compris)	WC500500AV	1
24	Ressort de tension	WC500003AV	1
25	Vis de tension	WC500002AV	1
26	Rouleau .6-.9mm (.030-.035po)	WC500501AV	1
27	Couvercle de rouleau	WC500504AV	1
28	Vis #8-36 x 5/8 po	*	3
29	Bras articulé	WC500505AV	1
30	Soulagement de tension	WC102000AV	2
31	Vis à métal N° 6-32 x 0,5 po	*	6
32	Fixations de poignée	WC301101AV	2
33	Chemise, enrobée de métal	WC600208AV	1
34	Vis à tête cylindrique N° 4-40 x 0,75 po	*	1
35	Chemise ressort	WC600408AV	1
36	Col de cygne avec diffuseur	WC601201AV	1
	Tube contact 0,030 po (0,8 mm) (4 par paquet)	WT501300AJ	-
	Tube contact en option 0,035 po (0,9 mm) (4 par paquet)	WT501400AJ	-

* Quincaillerie ordinaire, disponible dans votre quartier ou de votre fournisseur de matériaux de soudage

** Doit être monté de nouveau pour la sécurité suivant le démontage du chalumeau

Lexique de Termes de Soudage

CA ou Courant Alternatif - courant électrique qui change de direction périodiquement. Le courant à soixante cycles voyage dans les deux directions soixante fois par seconde.

Longueur de L'Arc - La distance du bout de l'électrode jusqu'au point où l'arc contacte la surface de travail.

Métal Commun - le matériel qui doit être soudé.

Joint en Bout - un joint entre deux pièces qui sont alignées approximativement dans le même plan.

Cratère - une flaque ou poche qui est produite quand l'arc contacte le métal commun.

CC ou Courant Continu - courant électrique d'une direction seulement. La polarité (+ ou -) détermine la direction du courant.

CC Polarité Inversée - quand le porte-électrode est branché au pôle positif du soudeur. La Polarité Inversée dirige plus de chaleur dans l'électrode plutôt que sur l'objet de travail pour l'utilisation sur les matériaux plus minces.

CC Polarité Ordinaire - quand le porte-électrode est branché au pôle négatif du soudeur. Plus de chaleur est dirigé vers l'objet de travail pour meilleure pénétration des matériaux épais.

Électrode - un fil en métal enrobé ayant approximativement la même composition du matériel qui doit être soudé.

Soudure en Cordon - dimension approx. d'un triangle, profil en travers, qui uni les deux surfaces à angles droits en soudure à recouvrement, en T ou en coin.

Flux - un enduit qui produit un gaz protecteur autour de l'endroit de soudage lors du chauffage. Ce gaz protège les métaux de base et d'apport contre les impuretés de l'air.

Soudure À L'Arc Fourré de Flux - ou Sans-gaz est une méthode de soudage utilisée avec un soudeur à alimentation en fil. Le fil de soudage est tubulaire avec du flux à l'intérieur pour protection.

Soudure À L'arc Au Chalumeau (MIG) - est une méthode utilisée avec un soudeur à alimentation en fil. Le fil est solide et un gaz inerte est utilisé pour protection.

Soudure À L'Arc Tungstène Au Chalumeau (TIG) - est une méthode de soudage utilisée avec de l'équipement de soudage qui a une génératrice à haute fréquence. L'arc est créé entre un électrode tungstène non-usable et l'objet de travail. Un bouche-pores peut être utilisé.

Soudure à Recouvrement - un joint entre deux pièces en chevauchement.

Tension au Repos - la tension entre l'électrode et le collier de mise à la terre quand il n'y a pas de flux de courant (pas de soudage). Ceci détermine la vitesse à laquelle l'arc est amorcé.

Chevauchement - se produit quand le réglage d'ampérage est trop bas. En ce cas, le métal fondu tombe de l'électrode sans se fondre dans le métal commun.

Porosité - des soufflures, ou creux formés pendant la solidification de la soudure qui affaiblissent la soudure.

Pénétration - la profondeur que la chaleur affecte l'objet pendant la soudure. Une soudure de haute qualité est celle qui atteint 100% de pénétration. C'est à dire que l'objet de travail en entier a été chauffé et solidifié à nouveau. Les endroits affectés par la chaleur devraient être visibles sur l'inverse de la soudure.

Soudure À L'Arc Au Métal Enrobé (SMAW) - est une méthode de soudage qui utilise une électrode usable pour soutenir un arc. L'enduit de flux fondu sur l'électrode fournit la protection.

Scorie - une couche d'encrassement de flux qui protège la soudure des oxydes et autres polluants pendant le refroidissement de la soudure. Enlever la scorie après que la soudure s'est refroidie.

Bavure - particules métalliques volantes qui se refroidissent sur la surface de travail. La bavure peut être diminuée si vous utilisez un agent vaporisateur qui résiste la bavure sur l'objet de travail avant de souder.

Point de Soudure - une soudure utilisée pour tenir les pièces en alignement jusqu'à ce que les soudures actuelles soient complétées.

L'Angle de Déplacement - l'angle de l'électrode dans la ligne de soudure. Ceci varie entre 5° et 45° selon les conditions.

Joint en T - placer le bord d'un morceau de métal sur l'autre à un angle de 90°.

Caniveau - une condition résultant d'un ampérage trop haut qui produit une rainure dans le métal commun le long des deux côtés du cordon de soudure et sert à affaiblir la soudure.

Flaque de Soudure - un volume de métal fondu dans une soudure avant sa solidification.

Cordon de Soudage - une couche(s) étroite de métal placé sur le métal commun pendant que l'électrode fond. Le cordon de soudage est typiquement deux fois le diamètre de l'électrode.

Angle de Travail - l'angle de l'électrode à angle droit de la ligne de soudure.

Notes

Sírvase leer y guardar estas instrucciones. Lea con cuidado antes de tratar de armar, instalar, manejar o darle servicio al producto descrito en este manual. Protéjase Ud. y a los demás observando todas las reglas de seguridad. El no seguir las instrucciones podría resultar en heridas y/o daños a su propiedad. Guarde este manual como referencia.



Soldadora Con Arco Con Alambre Continuo



Descripción

La Campbell Hausfeld WF2010 es una soldadora con arco con alambre continuo, monofásica, de 70 amperios y entrada de 115 voltios equipada con un control de velocidad del alambre infinita para seleccionar la velocidad de la alimentación del alambre correcta y necesaria para las diversas condiciones de soldadura. Los componentes internos están protegidos termostáticamente.

Este sistema de soldadura ha sido diseñado para utilizarse solamente con soldadura por arco eléctrico con fundente (sin gas). Tal como se envía de fábrica, esta máquina puede soldar con alambre con núcleo de fundente de 0,8mm (0,030") a 0,9mm (0,035") de diámetro. Se incluye un carrete arrancador de 0,9mm (0,035") de alambre con núcleo de fundente.

Para desempacar

Algunas piezas de la soldadora se encuentran en el compartimiento para almacenar el alambre.

Al desempacar este producto, revíselo con cuidado para cerciorarse de que esté en perfecto estado. Si la soldadora está dañada o le faltan piezas comuníquese con el distribuidor de Campbell Hausfeld más cercano a su domicilio.

Requerimientos eléctricos

⚠PRECAUCION

Este equipo

debe conectarse a un circuito de 115 voltios. En la tabla a continuación se le explica el tipo de cortacircuitos o fusibles necesarios. Nunca conecte otros artefactos, lámparas o herramientas al mismo circuito donde está conectada la soldadora. No le recomendamos el uso de cordones de extensión. Si no sigue esta recomendación podría activarse el cortacircuitos o quemarse los fusibles.

Nivel Seleccionado	Cortacircuito o Fusible de acción retardada	
Bajo	15 amp	
Alto	20 amp	

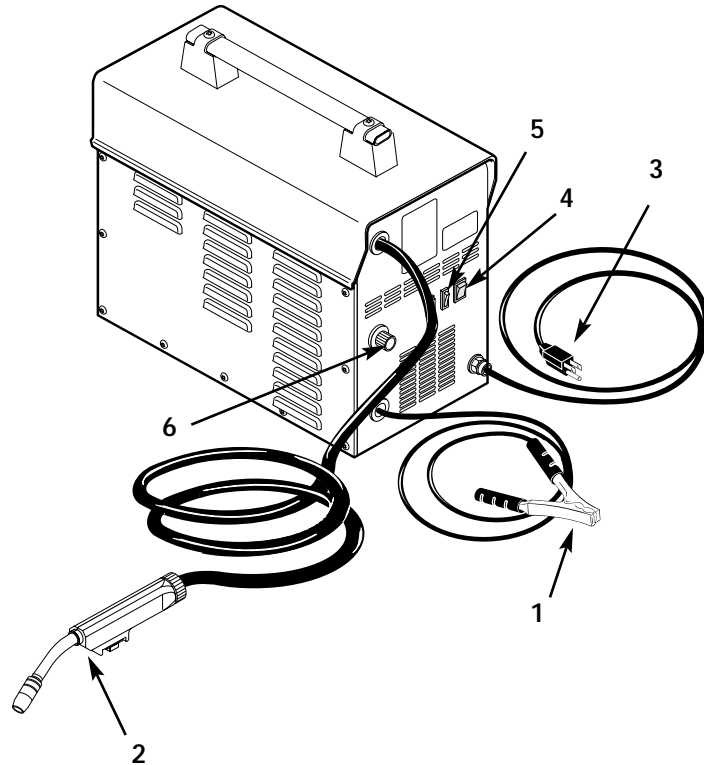


Figura 1

Componentes y Controles

- Pinza** - conéctela a la pieza de trabajo.
- Pistola**
- Cordón eléctrico** - conéctelo a un tomacorrientes de 115 voltios.
- Interruptor** - se ilumina cuando el termostato ha apagado la unidad automáticamente.
- Control de nivel** - Selecciona la energía de soldadura (Alto/Bajo).
- Perilla para controlar la velocidad** - Gírela en el mismo sentido de las agujas del reloj para aumentar la velocidad de alimentación del alambre y en el sentido contrario para disminuirla.

Medidas de Seguridad

⚠PELIGRO

Esto le indica

que hay una situación que le ocasionará la muerte o heridas de gravedad si ignora la advertencia.

⚠ADVERTENCIA

Esto le indica

que hay una situación que podría ocasionarle la muerte o heridas de gravedad si ignora la advertencia.

⚠PRECAUCION

Esto le indica

que hay una situación que podría ocasionarle heridas leves o moderadas si ignora la advertencia. Igualmente, le puede indicar una situación que podría ocasionarle daños a su propiedad.

Medidas de Seguridad (Con't.)

NOTA: Ésto le indica cualquier información adicional sobre el producto o el uso adecuado del mismo.

⚠️ ADVERTENCIA

Siempre mantenga un extinguidor de incendio accesible cuando esté soldando con arcos eléctricos.



- Antes de encender o darle servicio a las soldadoras eléctricas de arco, debe leer y comprender todas las instrucciones. Si no sigue las medidas de seguridad e instrucciones suministradas en el manual, podría ocasionarle daños al equipo, y/o sufrir heridas graves o la muerte.
- Todos los trabajos de instalación, mantenimiento, reparación y operación de esta soldadora deben ser hechos por una persona calificada siguiendo los códigos nacionales, estatales y locales.

⚠️ ADVERTENCIA

!El uso inadecuado de soldadoras de arcos eléctricos de arco podría ocasionarle choques eléctricos, heridas y la muerte! Siga todas las instrucciones suministradas en este manual para reducir las posibilidades de electrocutamiento.



- Cerciórese de que todos los componentes de la soldadora de arcos eléctricos estén limpios y en buen estado antes de utilizarla. Cerciórese de que los forros aislantes de todos los cables, pinzas porta- electrodos y cordones eléctricos no estén dañados. Siempre repare o reemplace las piezas dañadas antes de utilizar la soldadora. Siempre mantenga todas las tapas de la soldadora en su lugar mientras la esté utilizando.
- Siempre use vestimenta adecuada para soldar que esté seca, al igual que guantes y zapatos aislantes para soldadores.

- Use la soldadora sólo en áreas limpias, secas y bien ventiladas. No la use en áreas húmedas, mojadas o que no estén bien ventiladas.
- Antes de comenzar a soldar con esta soldadora, cerciórese de que la pieza esté bien fija y conectada a tierra.
- Debe desenrollar los cables de la soldadora para evitar que se sobrecalienten y se les dañe el forro aislante.

⚠️ PELIGRO

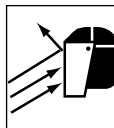
¡Nunca sumerj-

a el alambre ni la pistola en agua! Si la soldadora se moja por cualquier motivo, cerciórese de que esté completamente seca antes de tratar de usarla.

- Siempre apague la unidad y desconéctela antes de moverla a otro sitio.
- Siempre conecte el cable de conexión a tierra primero.
- Cerciórese de que la pieza esté conectada a tierra adecuadamente.
- Siempre apague la soldadora de arcos eléctricos y córtele el resto de alambre a la pistola cuando no la esté usando.
- Nunca toque el alambre de fundente y la tierra o pieza conectada a tierra al mismo tiempo.
- Al estar en cuclillas, arrodillado o en alturas, cerciórese de aislar todas las piezas que puedan conducir electricidad, use ropa adecuada para soldar y tome precauciones para no caerse.
- Nunca trate de usar este equipo con corrientes eléctricas o ciclajes diferentes a los especificados en las etiquetas.
- Nunca use una soldadora eléctrica para descongelar tuberías que se hayan congelado.

⚠️ ADVERTENCIA

Las chispas y el metal caliente le pueden ocasionar heridas. Cuando la pieza que soldó se enfríe, la escoria podría

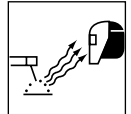


despegarse. Tome todas las precauciones descritas en este manual para reducir las posibilidades de que sufra heridas por estas razones.

- Sólo use máscaras aprobadas por la organización norteamericana ANSI o anteojos de seguridad con protección lateral al tratar de cortar o esmerilar piezas de metal.
- Si va a soldar piezas que estén por encima de usted debe protegerse los oídos para evitar que le caigan residuos adentro.

⚠️ ADVERTENCIA

Al soldar con arcos eléctricos se producen luces intensas, calor y rayos ultravioletas. Éstos le podrían ocasionar heridas en la vista y la piel. Tome todas las medidas de precaución descritas en este manual para reducir las posibilidades de heridas en la vista o la piel.



- Todos los operadores o personas que se encuentren en el área de trabajo mientras estén usando el equipo deben usar la vestimenta adecuada incluyendo: casco protector para soldadura o protección con un filtro de un nivel de oscuridad no menor de 10, vestimenta resistente a las llamas, guantes de soldador en cuero y protección completa para los pies.

⚠️ ADVERTENCIA

Nunca mire

hacia el área donde esté soldando sin protegerse la vista tal como se ha descrito anteriormente. Nunca use lentes oscuros que estén partidos, rotos o de un número menor de 10. Advértale a las otras personas en el área que no deben mirar el arco.

⚠️ ADVERTENCIA

¡Al soldar con arcos eléctricos puede crear chispas y calentar el metal a temperaturas que le podrían ocasionar quemaduras graves! Use guantes y ropa de protección para hacer este tipo de trabajo. Tome todas las medidas de precaución descritas en este manual para reducir las posibilidades de quemarse la piel o la ropa.



- Cerciórese de que todas las personas que se encuentren en el área de trabajo estén protegidas contra el calor, las chispas, y los rayos ultravioletas.

Medidas de Seguridad (con't.)

- Nunca toque las piezas que ha soldado hasta que éstas se hayan enfriado por completo.

⚠️ ADVERTENCIA



¡El calor y las chispas producidas al soldar con arcos eléctricos y otros trabajos con metales podrían encender materiales inflamables o explosivos! Tome todas las medidas de precaución descritas en este manual para reducir las posibilidades de llamas o explosiones.

- Mueva todos los materiales inflamables que se encuentren en un perímetro de 35 pies (10,7 metros) del área. Si no lo puede hacer, deberá cubrirlos con algún material que los aisle del fuego.
- No use una soldadora de arcos eléctricos en áreas donde pueda haber vapores inflamables o explosivos.
- Tome todas las precauciones necesarias para evitar que las chispas y el calor ocasionen llamas en áreas poco accesibles, ranuras, detrás de divisiones, etc.

⚠️ ADVERTENCIA



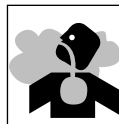
¡Peligro de incendio! No suelde envases o tuberías que contengan o hayan contenido materiales inflamables o combustibles gaseosos o líquidos.

⚠️ ADVERTENCIA



Si suelda cilindros cerrados o tambores con soldadoras de arcos eléctricos podría ocasionar explosiones si éstos no están bien ventilados! Cerciórese de que cualquier cilindro o envase que vaya a soldar tenga un orificio de ventilación para liberar los gases.

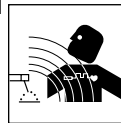
⚠️ ADVERTENCIA



No respire los gases emitidos al soldar con arcos eléctricos. Éstos son peligrosos. Si no puede ventilar adecuadamente el área de trabajo, cerciórese de usar una máscara para respirar.

- Mantenga la cabeza y la cara alejada de los humos emitidos al soldar.
- Para soldar metales galvanizados o con baños de cadmio, metales que contengan zinc, mercurio o berilio con arcos eléctricos debe tomar las siguientes precauciones:
 - a. Quítele la capa al metal.
 - b. Cerciórese de que el área de trabajo esté bien ventilada.
 - c. Use un máscara para respirar.
 Estos metales emiten humos sumamente tóxicos al calentarse.

⚠️ ADVERTENCIA



El campo electro-magnético generado al soldar con arcos eléctricos podría interferir con el funcionamiento de varios artefactos eléctricos y electrónicos tales como marcapasos. Aquellas personas que usen estos artefactos le deben consultar a su médico antes de soldar con arcos eléctricos.

- Nunca se enrolle los cables de la soldadora en el cuerpo.
- El contacto con los campos electromagnéticos producidos al soldar pueden ocasionar problemas de salud desconocidos hasta ahora.

⚠️ ADVERTENCIA

Cerciórese de que

el área de trabajo esté libre de peligros (chispas, llamas, metales al rojo vivo o escorias) antes de irse. Cerciórese de que ha apagado la soldadora y le ha quitado el electrodo. Cerciórese de que los cables estén enrollados y almacenados. Cerciórese de que tanto el metal como la escoria se hayan enfriado.

MEDIDAS DE SEGURIDAD ADICIONALES

ANSI Standard Z49.1 — American Welding Society, 550 N.W. LeJune Rd. Miami, FL 33126

Safety and Health Standards — OSHA 29 CFR 1910, Superintendent of Documents, U.S. Government Printing Office, Washington, D.C. 20402

National Electrical Code — NFPA Standard 70, National Fire Protection Association, Batterymarch Park, Quincy, MA 02269

Safe Handling of Compressed Gases in Cylinders

CGA Pamphlet P-1, — Compressed Gas Association, 1235 Jefferson Davis Highway, Suite 501, Arlington, VA 22202

Cutting And Welding Processes

NFPA Standard 51B, — National Fire Protection Association, Batterymarch Park, Quincy, MA 02269

Safe Practices For Occupational And Educational Eye And Face Protection

ANSI Standard Z87.1, — American National Standards Institute, 1430 Broadway, New York, NY 10018

Instalación

UBICACION

Al ubicar la soldadora en un sitio adecuado puede aumentar el rendimiento, la fiabilidad y la duración de la soldadora de arcos eléctricos.

- Para obtener mejores resultados ubique la soldadora en un área que esté limpia y seca.
- Almacene el alambre con núcleo de fundente en un lugar limpio, seco y de humedad baja para conservar el revestimiento del alambre.
- No es recomendable que use un cordón de extensión con este tipo de soldadoras. La baja de voltaje en el cordón de extensión podría reducir el rendimiento de la soldadora.

Ensamblaje

ENSAMBLAJE DEL MANGO

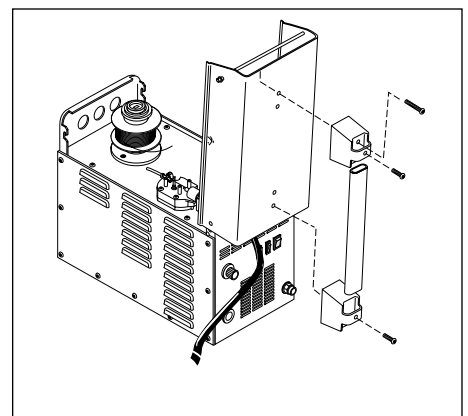


Figura 2 - Ensamblaje Del Mango

Ensamblaje (Con't.)

1. Tire de la varilla en ambos lados de la puerta de la alimentación del alambre y levántela para abrirla.
2. Aperne las tapas del mango de plástico en la cubierta, tal como se muestra (Figura 2).
3. Deslice el mango de metal a través de las tapas y adjúntelo con los tornillos.

Abrazadera de Trabajo

1. Suelte el perno hexagonal en la abrazadera de trabajo.
2. Inserte el cordón (marcado "trabajo" en el panel delantero de la soldadora) a través del mango de la abrazadera y deslice el alambre desnudo debajo del bloque de la abrazadera. Apriete el perno hexagonal asegurándose que el alambre desnudo quede firmemente sujeto (Figura 3).

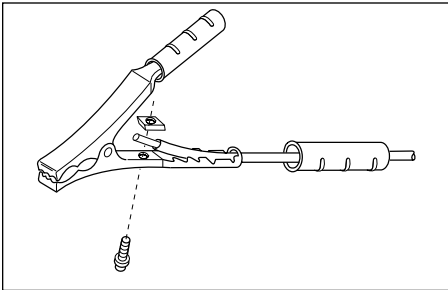


Figura 3 - Ensamblaje de la Abrazadera de Trabajo

INSTALACION DEL ALAMBRE

ADVERTENCIA *La energía de soldadura se aplica a los terminales de salida, al rodillo de alimentación, a la abrazadera de trabajo, a la conexión del alambre de la pistola y al alambre para soldadura aun cuando el interruptor de la pistola no está activado. No toque estas partes cuando la soldadora está encendida.*

NOTA: Antes de instalar el alambre para soldadura, asegúrese que su diámetro corresponda con la punta de contacto en el extremo de la pistola. El tamaño del alambre viene marcado en la punta de contacto en mm o pulgadas (Vea la tabla a continuación).

Especificaciones de la boquillas de Contacto		
Diám. del alambre		mm
0,030"	ó	0,8
0,035"	ó	0,9

1. Verifique que la unidad esté apagada y levante la puerta en la soldadora para exponer el mecanismo de alimentación del alambre.

2. Para desactivarle el seguro al carrete, oprímalo y gírelo en sentido contrario a las agujas del reloj 1/4 . Ahora puede sacarle la perilla, el resorte y el separador.
3. Afloje el tornillo que le suministra tensión al alambre en el mecanismo. Ésto le permite meter con la mano el alambre en la pistola.
4. Coloque el carrete de alambre en el eje de modo que salga por el extremo más cercano al tubo de alimentación. **No corte el alambre todavía.** Instale el separador, el resorte y la manilla girándolo 1/4 en el mismo sentido de las agujas del reloj.
5. Sostenga el alambre y córtelo el extremo. No permita que el alambre se desenrolle. Cerciérese de que éste esté derecho y sin rebabas.
6. Coloque el alambre a través del tubo de alimentación, la ranura de la bobina y la pistola. Apriete bien el tornillo de tensión. No la apriete en exceso.
7. Remueva la boquilla girándola en el sentido de las manillas del reloj cuando se tira de ella hacia afuera. Luego desenrosque la punta de contacto desde el extremo del soplete. (Vea la Figura 6). Enchufe la soldadora en el receptáculo de abastecimiento de energía correcto.

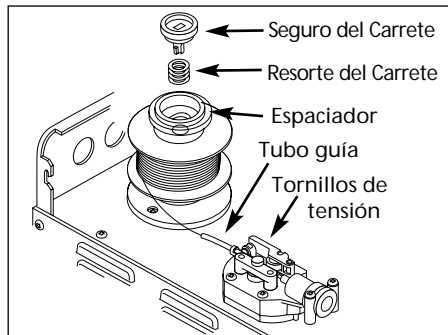


Figura 4 - Enrutamiento del Alambre para Soldadura

8. Encienda la soldadora y fije la velocidad a 8. Active el interruptor de la pistola hasta que el alambre haya salido por el extremo del soplete. Apague la soldadora.

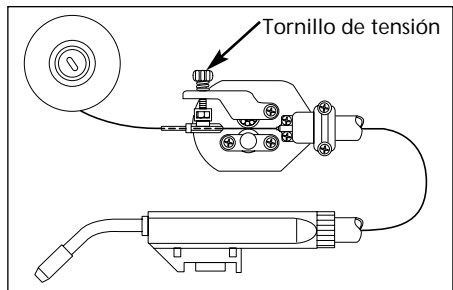


Figura 5 - Pistola

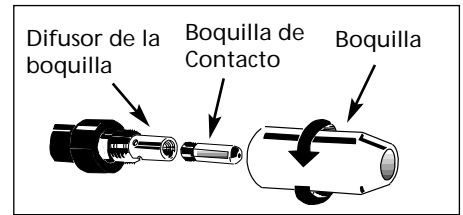


Figura 6 - Boquilla del Soplete

9. Cuidadosamente deslice la punta de contacto sobre el alambre y atorníllela en el extremo del soplete. (Vea la Figura 6). Instale la boquilla girándola en el sentido de las manillas del reloj y empújela. Corte el alambre a aproximadamente 1/4 de pulgada de la boquilla.

CICLO DE TRABAJO / PROTECCION TERMICA

El ciclo de trabajo de la soldadora es el porcentaje de tiempo que está soldando durante un período de 10 minutos. Por ejemplo, si el ciclo de trabajo es de 10%, sólo podrá soldar durante un minuto, y la soldadora se debe enfriar por 9 minutos.

Las piezas internas de esta soldadora están protegidas con un interruptor térmico automático. Se ilumina una luz amarilla en el panel delantero (interruptor de encendido/apagado) si se excede el ciclo de servicio. Podrá continuar soldando una vez que la luz amarilla se haya apagado.

Funcionamiento

1. Cerciérese de leer, comprender y cumplir con todas las precauciones en la sección de Medidas de Seguridad y con las Guías para la Soldadura antes de usar este equipo.
2. Cerciérese de que la soldadora esté apagada (en OFF).
3. Cerciérese de que las superficies de los metales que va a soldar no estén sucias, oxidadas, pintadas, llenas de aceite o contaminadas. Esto podría dificultarle el trabajo y perjudicar la calidad de la soldadura.



ADVERTENCIA *Todas las personas que usen esta soldadora o que se encuentren en el área de trabajo cuando se esté usando la soldadora deben usar la vestimenta adecuada de un soldador incluyendo: lentes para*

Ensamblaje (Con't.)

soldadores de la oscuridad adecuada según las especificaciones dadas a continuación, ropa resistente al fuego, guantes de cuero para soldar y protección para los pies.

PRECAUCION El alambre

para soldadura está cargado siempre cuando la soldadora está encendida - esté el gatillo oprimido o no.

ADVERTENCIA

Si piensa calentar soldar o cortar materiales galvanizados, cubiertos de zinc, plomo o cadium vea las instrucciones al respecto en la sección Informaciones Generales de Seguridad. Al calentar estos metales se emiten gases muy tóxicos.



4. Conecte la pinza de conexión a tierra a la pieza que va a soldar o a la banca (si es de metal). Cerciórese de que el contacto sea con el metal y que no éste no tenga pintura, barniz, óxido o materiales no metálicos.
5. Ajuste la manilla de control de corriente al nivel deseado.

Espesor del Metal	Ajuste de Calor
Calibre 14-20	Bajo
Más grueso que calibre 14	Alto

NOTA: Estas instrucciones son sólo sugerencias. El amperaje necesario podría variar según las condiciones de trabajo y los materiales.

6. Gire la perilla que controla la velocidad del alambre hasta el número 5 para comenzar a soldar, haga una prueba y ajuste la velocidad si es necesario.
7. Conecte el cordón eléctrico a un tomacorrientes con el voltaje necesario que esté conectado a un circuito adecuado (Vea las instrucciones al respecto en la tabla de la página 1).
8. Coloque el interruptor de ENCENDIDO/APAGADO de la soldadora en la posición de ENCENDIDO.
9. Cerciórese de que haya aproximadamente 1/4" de alambre

fuera de la boquilla de contacto. De lo contrario, oprima el gatillo de modo que salga más alambre y córtelo a la longitud adecuada.

10. Coloque la pistola soldadora cerca de la pieza que va a soldar y mueva la cabeza hacia abajo de modo que la máscara del casco le cubra la cara o cúbrase la cara con la máscara de mano y oprima el gatillo de la pistola. Ajuste el amperaje cuando sea necesario.
11. Cuando termine de soldar, apague la soldadora y guárdela en un sitio adecuado.

Mantenimiento

ADVERTENCIA Desconecte y

apague la soldadora antes de inspeccionar o darle servicio a cualquier componente. Mantenga el compartimiento para almacenar alambres cerrado a menos que necesite cambiar el alambre.

Antes de cada uso:

1. Chequee los cables y repare o reemplace inmediatamente cualquier cable cuyo forro aislante esté dañado.
2. Chequee el cordón eléctrico y repárelo o reemplácelo inmediatamente si está dañado.
3. Chequee la boquilla de la pistola. Quitele cualquier residuo de escoria. Reemplace la boquilla si está dañada.

ADVERTENCIA Nunca use esta soldadora si los forros aislantes de alguno de los cables, la pistola o el cordón eléctrico están dañados o no están colocados.

Cada 3 meses:

1. Reemplace cualquier etiqueta que esté ilegible.
2. Use aire comprimido para limpiar las aperturas de ventilación.
3. Limpie la ranura donde se coloca el alambre en la bobina. Saque el alambre del mecanismo de alimentación, sáquele los tornillos a la cubierta de la bobina. Use un cepillo de alambres pequeño para limpiar la bobina. Reemplácela si está desgastada o dañada.

Piezas Consumibles o que se desgastan

Las siguientes piezas requieren mantenimiento rutinario:

- Bobina
- Forro de la pistola - reemplácelo cuando se desgaste
- Boquilla/boquillas de contacto
- Alambre - Esta soldadora le permite usar carretes de 4 u 8" de diámetro. El alambre con núcleo de fundente es susceptible a la humedad y con el tiempo se oxida, de modo que es importante seleccionar un tamaño de carrete que se vaya a usar dentro de un periodo de 6 meses aproximadamente. Use tipo AWS, AWS E71T-GS o E71T-11, de 0,8mm (0,030") o 0,9mm (0,035") de diámetro.

Cambio del Alambre de Abastecimiento

1. Desenchufe la soldadora.
2. Remueva el panel del lado derecho.
3. Desconecte los alambres negro y blanco del cordón de energía eléctrica, conectados al interruptor de ENCENDIDO/APAGADO.
4. Desconecte el alambre verde del cordón de energía eléctrica, conectado al bastidor.
5. Suelte el tornillo de alivio de esfuerzo y pase el cordón a través del panel delantero.
6. Instale el cordón nuevo en el orden inverso.

Comuníquese con el distribuidor de Campbell Hausfeld más cercano a su domicilio para ordenar repuestos

Instrucciones para Soldar

General

Esta línea de soldadoras utiliza el proceso de soldadura por arco eléctrico con fundente (sin gas). La soldadura se debe proteger contra contaminantes en el aire mientras se esté derritiendo. Para soldar con un alambre con fundente revestido se utiliza un alambre cilindrico lleno de fundente. El fundente crea un gas protector al derretirse.

Cuando la corriente proviene de un transformador (soldadora) y circula por el circuito hasta llegar al alambre, se forma un arco entre el extremo del alambre y la pieza de trabajo. Este arco derrite el alambre y la pieza de trabajo. El metal derretido del alambre cae dentro de la ranura en la pieza y se forma la unión con la pieza de trabajo tal como se muestra (Figura 7)

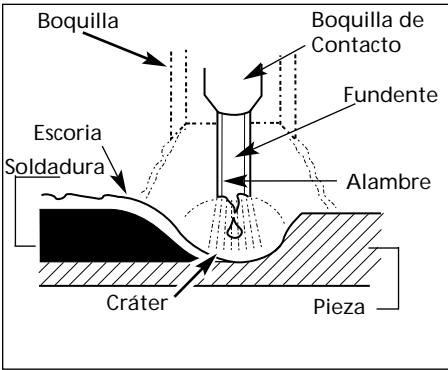


Figura 7 - Componentes de la soldadura

Técnicas Básicas para Soldar con Arcos

Hay cinco aspectos que debe considerar para lograr una soldadura de alta calidad. Éstos son: el tipo de alambre usado, el amperaje usado, el ángulo para soldar, la longitud del arco y la velocidad de desplazamiento. Es imprescindible que siga las recomendaciones al respecto para lograr un acabado de alta calidad.

CORRIENTE

El nivel adecuado de corriente se logra al ajustar la soldadora al amperaje requerido. El ajuste de calor que se utilice depende del espesor de la pieza de trabajo.

Vea las especificaciones enumeradas en la soldadora o en la tabla generalizada en la sección de funcionamiento. Le

sugerimos que antes de soldar practique en un pedazo de metal que vaya a descartar para que ajuste los niveles y compare la calidad de la soldadura con las de la Fig. 12.

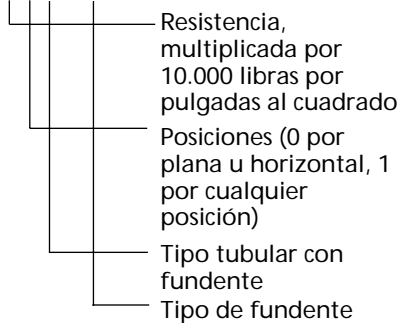
TIPO Y TAMAÑO DEL ALAMBRE

La selección del tipo correcto de alambre depende de varios factores tales como la posición en que va a soldar, el tipo de material que va a soldar, el grosor y las condiciones de la superficie. La sociedad norteamericana de soldadores, AWS, ha seleccionado ciertos requerimientos para cada tipo de alambres.

La clasificación de la AWS para este tipo de soldadoras (sin gas) es un número de varios dígitos que comienzan con la letra E.

Alambre de fundente revestido

E - 7 0 T - GS



Con esta soldadora le recomendamos que use los alambres E71T-GS o E71T-11

ANGULO PARA SOLDAR

El ángulo de soldadura es aquél al que se mantiene la boquilla durante el proceso de soldadura. Este ángulo tiene dos aspectos - ángulo de desplazamiento y ángulo de trabajo (Vea la Figura 8).

El ángulo de desplazamiento es el ángulo en la línea donde se está soldando y puede variar entre 5° y 45° de la línea vertical, según sean las condiciones de trabajo.

El ángulo de trabajo es el ángulo desde la línea horizontal, medido en ángulos rectos en relación a la línea de soldar.

Para la mayoría de las aplicaciones se puede usar ángulos de desplazamiento y de trabajo de 45°. Para aplicaciones específicas, debe consultar un libro de referencias para soldadores.

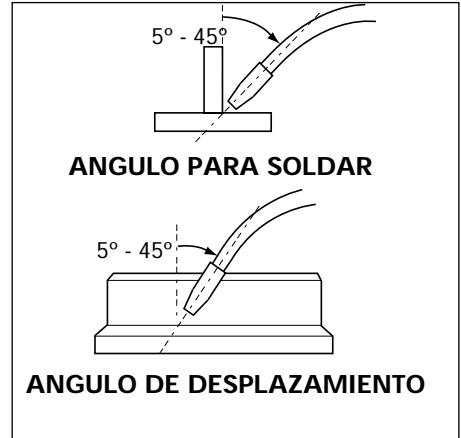


Figura 8 - Ángulos para soldar

VELOCIDAD DE ALIMENTACION DEL ALAMBRE

Esta velocidad se controla con la perilla ubicada en el frente de la soldadora. Debe coordinar la velocidad con la rapidez con que se esta derritiendo el alambre en el arco. Si la velocidad es muy lenta ocasionaría chisporroteo y el alambre se quemaría dentro de la punta de contacto. Si la velocidad es muy rápida ocasionaría un sonido de chisporroteo y el alambre penetraría la placa antes de derretirse.

VELOCIDAD DE DESPLAZAMIENTO

Es la velocidad con que se desplaza el electrodo por el área a soldar. El diámetro y tipo de electrodo, amperaje, posición y el grosor de la pieza de trabajo son algunos de los factores que afectan la velocidad de desplazamiento necesaria para lograr una soldadura de primera (Vea la Fig. 12). Si la velocidad es demasiado rápida, el reborde es angosto y las ondas puntiagudas como se muestra en la figura. Si la velocidad es muy lenta, el metal soldado se acumula y el reborde es alto y ancho.

LIMPIEZA DE ESCORIAS (SOLO CUANDO HAYA SOLDADO CON ALAMBRES DE FUNDENTE)

ADVERTENCIA Use anteojos de seguridad aprobados por la asociación norteamericana ANSI (ANSI Standard Z87.1) (o alguna organización similar en sus respectivos países) y ropa de protección para sacar la escoria. Los residuos calientes le podrían ocasionar heridas a las personas que se encuentren en el área de trabajo.

Instrucciones para Soldar (Continuación)

Una vez que haya terminado de soldar, espere a que las piezas soldadas se enfríen. Una capa protectora que llamaremos escoria cubre el reborde para evitar que los contaminantes en el aire reaccionen con el metal derretido. Cuando el metal se haya enfriado un poco y no esté al rojo vivo, podrá limpiar la escoria. Esto lo puede hacer con un martillo. Golpee suavemente la escoria con el martillo hasta que logre despegarla. Finalmente, use un cepillo de alambre para terminar de limpiar. Si suelda la misma área varias veces, límpiela las escorias cada vez que termine de soldar.

POSICIONES PARA SOLDAR

Básicamente hay 4 posiciones para soldar: plana, horizontal, vertical y por encima de la cabeza. Soldar en la posición plana es lo más fácil ya que la velocidad es mayor, el metal derretido se chorrea menos, se puede lograr una mayor penetración y el trabajador se cansa menos. Para soldar en esta posición el ángulo de desplazamiento del alambre debe ser 45° al igual que el ángulo de trabajo.

Otras posiciones requieren técnicas diferentes tales como paso entretrejido, circular o cruzado. Para completar este tipo de soldadura se requiere más experiencia en la materia.

Siempre debe tratar de soldar en una posición plana. Para obtener instrucciones específicas para algún tipo de soldadura consulte un libro de referencias para soldadores.

PASOS

Algunas veces deberá usar más de un paso para soldar. Primero deberá hacer un paso primordial, éste será seguido por pasos adicionales de relleno (vea las Figuras 9 y 10). Si las piezas son gruesas, tal vez sea necesario biselar los bordes que están unidos en un ángulo de 60°. Recuerde que debe limpiar las escorias antes de cada paso.

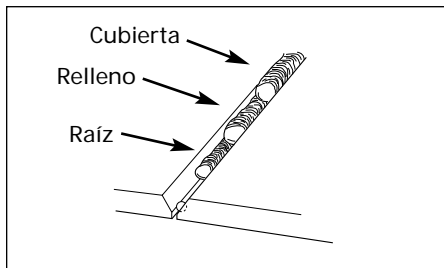


Figura 9 - Pasos

TECNICA USADA PARA SOLDAR

El tipo de material y el grosor de la pieza que va a soldar determinan la dirección en que debe colocar la boquilla de la pistola. Para soldar materiales delgados (de calibre 18 o mayores) debe colocar la boquilla en frente del sedimento para **empujarlo** a lo largo de la pieza. Para soldar aceros gruesos, la boquilla se debe dirigir directamente al sedimento para aumentar la penetración. Esta técnica se conoce como soldar al revés (Vea la Figura 11).

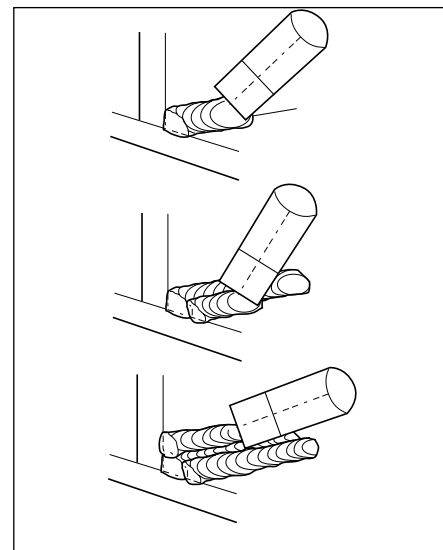


Figura 10 - Pasos múltiples

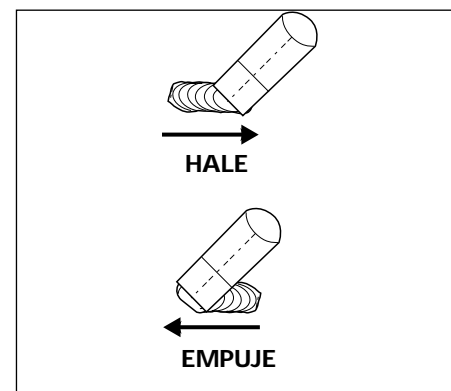


Figura 11

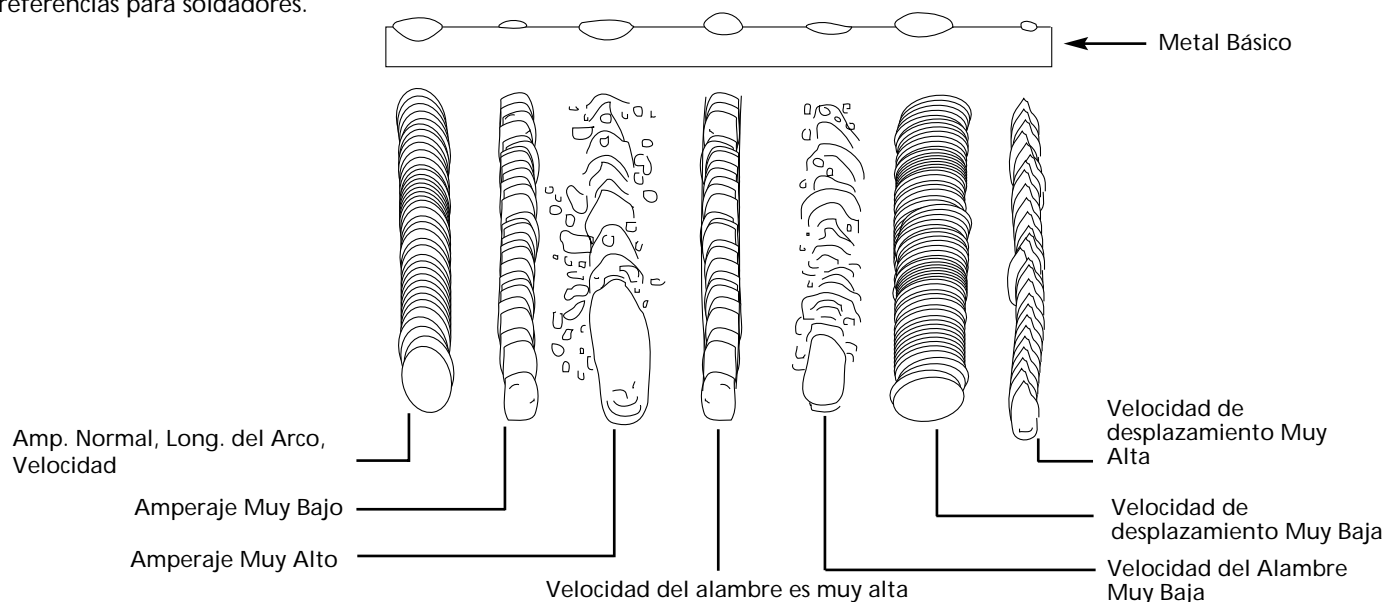


Figura 12 - Apariencia de la Soldadura

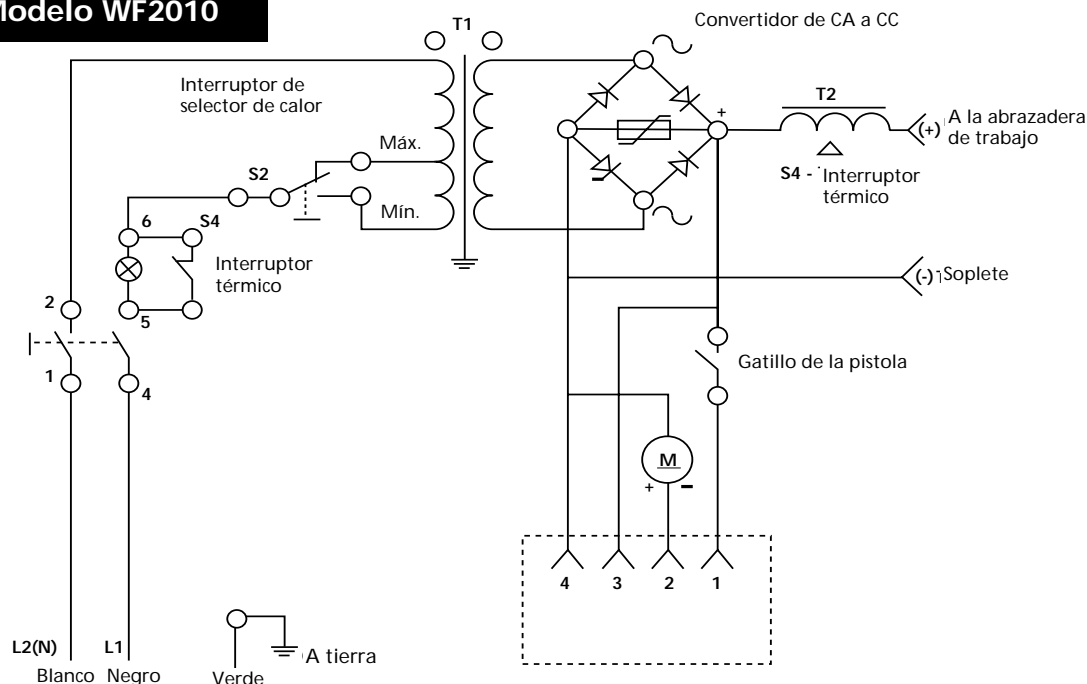
Diagóstico de Averías-Soldadora

Problema	Posible(s) Causa(s)	Acción a Tomar
No funciona	<ol style="list-style-type: none"> 1. Excedió el ciclo de trabajo 2. La pinza está mal conectada 3. El interruptor está dañado 4. El cortacircuito se activó o el fusible está quemado 	<ol style="list-style-type: none"> 1. Espere que la soldadora se enfríe, cuando el bombillo se apague 2. Cerciórese de que las conexiones estén bien hechas y de que la superficie esté limpia 3. Reemplace el interruptor 4. Reduzca la carga del circuito, active el cortacircuito o reemplace el fusible
El alambre se enrolla en la bobina	<ol style="list-style-type: none"> 1. La boquilla de la pistola es de un tamaño incorrecto 2. El forro de la pistola está obstruido o dañado 3. La boquilla de la pistola está obstruida o dañada 4. El rodillo está desgastado 5. No hay suficiente tensión 	<ol style="list-style-type: none"> 1. Use una boquilla adecuada 2. Límpielo o reemplácelo 3. Límpiela o reemplácela 4. Reemplácelo 5. Apriete el tornillo
La boquilla de la pistola se pega a la superficie de trabajo	Hay escoria dentro de la pistola Mal contacto	Limpie la boquilla de la pistola Cerciórese de que las conexiones estén bien hechas y de que la superficie esté limpia
La pinza o el cable se calientan	<ol style="list-style-type: none"> 1. El alambre está atascado 2. Se acabó el alambre 3. No hay suficiente tensión 	<ol style="list-style-type: none"> 1. Reinstale el alambre 2. Reemplace la bobina 3. Apriete los tornillos de tensión si el alambre no está circulando correctamente
El alambre no circula	<ol style="list-style-type: none"> 4. El forro del alambre está desgastado 5. El fusible se quemó 	<ol style="list-style-type: none"> 4. Reemplace el forro 5. Reemplace el fusible del tablero de controles ubicado dentro de la soldadora, (1,6 A de retraso)

Diagóstico de Averías-Soldadura

Problema	Posible(s) Causa(s)	Acción a Tomar
Reborde es muy delgado en algunos sitios	<ol style="list-style-type: none"> 1. La velocidad de desplazamiento varia 2. El nivel del amperaje es muy bajo 	<ol style="list-style-type: none"> 1. Debe reducirla y mantenerla constante 2. Debe aumentarlo
Reborde es muy grueso en algunos sitios	<ol style="list-style-type: none"> 1. La velocidad de desplazamiento varia o es muy lenta 2. El nivel del amperaje es muy alto 	<ol style="list-style-type: none"> 1. Debe aumentarla y mantenerla constante 2. Debe bajarlo
Los bordes de la soldadura están disperejos	<ol style="list-style-type: none"> 1. La velocidad de desplazamiento es muy rápida 2. La velocidad de alimentación es muy rápida 3. El nivel del amperaje es muy alto 	<ol style="list-style-type: none"> 1. Debe reducirla 2. Debe aumentarla 3. Debe bajarlo
El reborde no penetra el metal básico	<ol style="list-style-type: none"> 1. La velocidad de desplazamiento varia 2. El nivel del amperaje es muy bajo 	<ol style="list-style-type: none"> 1. Debe reducirla y mantenerla constante 2. Debe aumentarlo
El electrodo salpica y se pega	<ol style="list-style-type: none"> 1. El alambre está húmedo 2. La velocidad del alambre está muy rápida 	<ol style="list-style-type: none"> 1. Use un alambre seco y siempre debe almacenarlo en un sitio seco 2. Reduzca la velocidad del alambre

Alambrado Modelo WF2010



Garantía Limitada 5-3-1

1. Duración: El fabricante garantiza que reparará, sin costo alguno por repuestos o mano de obra la soldadora o la pistola o los cables que estén dañados bien en material o mano de obra, durante los siguientes periodos después de la compra original:

Por 5 años: El transformador y rectificador de la soldadora

Por 3 años: Toda la soldadora (se excluyen: pinzas, pistola, cables, o accesorios que vienen con la soldadora)

Por 1 año: Pinzas, Pistola, Accesorios y Cable para Soldar (de haberlos)

2. QUIEN OTORGA ESTA GARANTIA (EL GARANTE):

The Campbell Group
A Scott Fetzer Company
100 Production Drive
Harrison, OH 45030
Teléfono: (513)-367-4811

3. BENEFICIARIO DE ESTA GARANTIA (EL COMPRADOR): El comprador original del producto Campbell Hausfeld.

4. Cobertura de la garantía: Defectos en material y fabricación que ocurran dentro del periodo de validez de la garantía. La garantía cubre la soldadora, el transformador y rectificador, la pistola o el portaelectrodo y los cables solamente.

5. Lo que no está cubierto por esta garantía:

A. Las garantías implícitas, incluyendo las garantías de comercialidad y conveniencia para un fin particular SON LIMITADAS A LA DURACION EXPRESA DE ESTA GARANTIA. Después de este periodo, todos los riesgos de pérdida, por cualquier razón, serán la responsabilidad del propietario del producto. En algunos estados no se permiten limitaciones a la duración de las garantías implícitas, por lo tanto, en tal caso esta limitación o exclusión no es aplicable.

B. CUALQUIER PERDIDA, DAÑO INCIDENTAL, INDIRECTO O CONSECUENTE O GASTO QUE PUEDA PUEDA RESULTAR DE UN DEFECTO, FALLA O MAL FUNCIONAMIENTO DEL PRODUCTO CAMPBELL HAUSFELD. En algunos estados no se permite la exclusión o limitación de daños incidentales o consecuentes, por lo tanto, en tal caso esta limitación o exclusión no es aplicable.

C. Esta garantía no cubre aquellos accesorios que se desgastarán con el uso normal del producto; la reparación o reemplazo de los mismos será la responsabilidad del propietario. Ejemplos de los productos de desgaste por el uso son (lista parcial): Bouillas de contacto, boquillas, forros internos de la pistola, bobinas, felpa para limpiar el alambre. Además, esta garantía no cubre daños que ocurran al reemplazar o darle servicio a las piezas arriba enumeradas.

D. Cualquier falla que resulte de un accidente, abuso, negligencia o incumplimiento de las instrucciones de funcionamiento y uso indicadas en el(los) manual(es) que se adjuntan al producto.

E. Servicio antes de entrega, por ejemplo ensamblaje y ajustes.

7. Responsabilidades del Garante bajo esta Garantía: Reparar o reemplazar, como lo decida el garante, los productos o componentes defectuosos durante el periodo de validez de la garantía.

8. Responsabilidades del Comprador bajo esta Garantía:

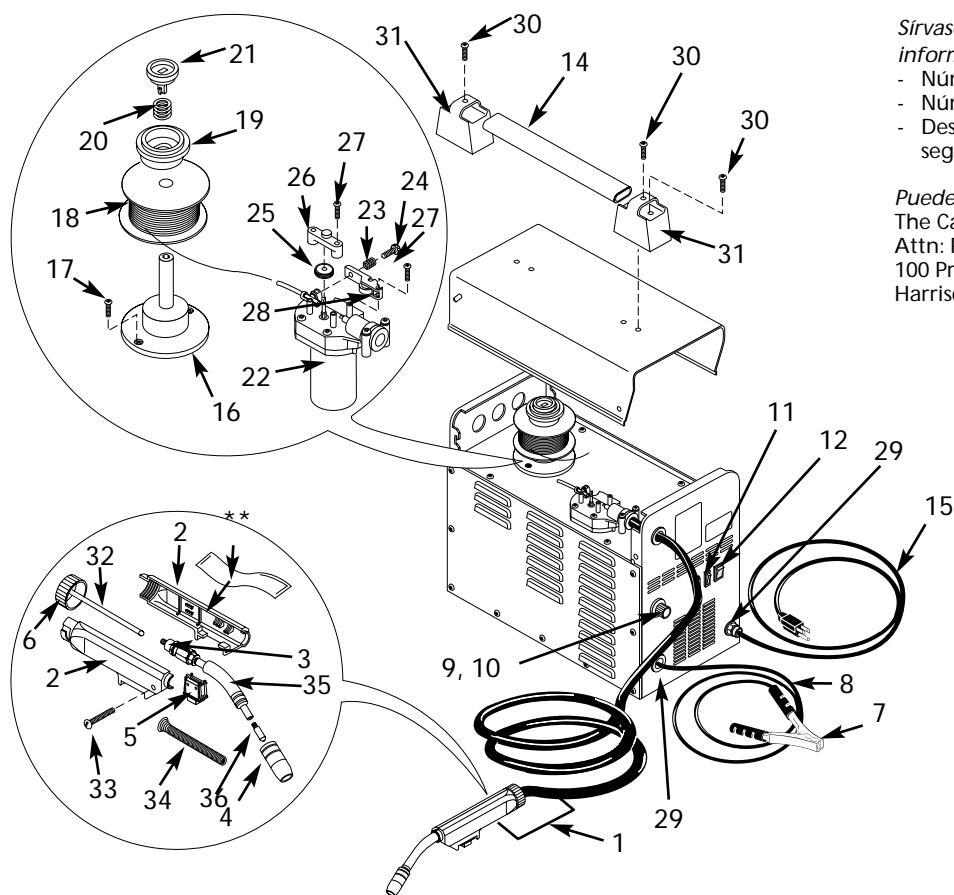
A. Entregar o enviar el producto o componente a Campbell Hausfeld. Los gastos de flete, si los hubiere, deben ser pagados por el comprador.

B. Ser cuidadoso con el funcionamiento del producto, como se indica en el(los) manual(es) del propietario.

9. Cuando efectuará el garante la reparación o reemplazo cubierto bajo esta garantía: La reparación o reemplazo dependerá del flujo normal de trabajo del centro de servicio y de la disponibilidad de repuestos.

Esta garantía limitada le otorga derechos legales específicos y usted también puede tener derechos que varían de un estado a otro.

Para ordenar repuestos, comuníquese con el distribuidor más cercano a su domicilio



Sírvase suministrarnos la siguiente información:

- Número del modelo
- Número de Serie (de haberlo)
- Descripción y número del repuesto según la lista de repuestos

Puede escribirnos a:

The Campbell Group
Attn: Parts Department
100 Production Drive
Harrison, Ohio 45030 U.S.A.

No. de Ref.	Descripción	WF2010	Ctd.
1	Ensamblaje del soplete y manguera	WC601200AJ	1
2	Cuerpo del soplete (piezas posterior y delantera)	WC600401AV	1
3	Accesorio del forro	WC600403AV	1
4	Boquilla	WT502100AJ	1
5	Interruptor del gatillo	WC600402AV	1
6	Tuerca de torsión del soplete	WC600404AV	1
7	Pinza (no incluye el cordón)	WC100000AV	1
8	Cable para soldar 8 AWG (6 pies, 1,83 metros)	*	1
9	Perilla de control de velocidad	WC400201AV	1
10	Tarjeta de control de la velocidad de alimentación del alambre	WC400700AV	1
11	Interruptor de baja/alta	WC400300AV	1
12	Interruptor	WC400000AV	1
13	Rótulo de seguridad (no se muestra)	DK670200AV	1
14	Mango	WC301100AV	1
15	Cordón eléctrico 14-3 AWG (6 ft) Type SJT	*	1
16	Bobina	WC500600AV	1
17	Tornillo metálico #10-32 x .5"	*	2
18	Alambre de fundente revestido de 0,030" (.8mm) diámetro	WE200001AV	1
19	Alambre con núcleo de fundente de 0,9mm (0,035") de diámetro, opcional	WE200501AV	-
20	Adaptador de la bobina	WC500601AV	1
21	Resorte de la bobina	WC500602AV	1
22	Seguro de la bobina	WC500603AV	1
23	Ensamblaje (Incluye Nos.23-28)	WC500500AV	1
24	Resorte de tensión	WC500003AV	1
25	Tornillo de tensión	WC500002AV	1
26	Rodillo .8-.9mm (.030-.035 pulgadas.)	WC500501AV	1
27	Forro del rodillo	WC500504AV	1
28	Tornillo #8-36 x 5/8"	*	3
29	Brazo giratorio	WC500505AV	1
30	Relieve de tensión	WC102000AV	2
31	Tornillo de máquinas, #6-32 x 0,5"	*	6
32	Tapas del mango	WC301101AV	2
33	Niple aislante, metal recubierto	WC600208AV	1
34	Tornillo de cabeza troncocónica, #4-40 x 0,75"	*	1
35	Niple aislante en forma de embudo	WC600408AV	1
36	Cuello de cisne con difusor	WC601201AV	1
	Boquilla de contacto 0,030" (0,8 mm) (Paquete de 4)	WT501300AJ	-
	Boquilla de contacto opcional 0,035" (0,9 mm) (Paquete de 4)	WT501400AJ	-

* Disponible en cualquier ferretería o tienda para soldadores

** Por razones de seguridad tiene que reinstalarse después de haber desarmado la antorcha

Glosario de terminología usada por soldadores

CA o Corriente Alterna - corriente eléctrica que cambia de dirección periódicamente. Corriente de 60 ciclos se desplaza en ambas direcciones 60 veces por segundo.

Longitud del Arco - la distancia entre el extremo del electrodo y el punto de contacto con la superficie de trabajo.

Metal Básico - el material que se va a soldar.

Unión a tope - la unión de dos miembros alineados aproximadamente en el mismo plano.

Cráter - el vacío que se forma cuando el arco hace contacto con el metal básico.

CD o Corriente Directa - corriente eléctrica que se desplaza en un sólo sentido. La polaridad (+ o -) determina el sentido del desplazamiento.

CD Polaridad Reversa - ocurre cuando el portaelectrodo está conectado al polo positivo de la soldadora. Esta técnica dirige más calor para derretir el electrodo en vez de la pieza de trabajo. Generalmente esta técnica se usa con piezas delgadas.

CD Polaridad Directa - ocurre cuando el portaelectrodo está conectado al polo negativo de la soldadora. Con esta técnica la mayoría del calor se dirige a la pieza de trabajo para lograr una mayor penetración en piezas gruesas.

Electrodo - un alambre de metal con una capa que tiene aproximadamente la misma composición del material que se va a soldar.

Soldadura de Filete - soldadura triangular, para unir dos superficies en ángulo recto, en T o en las esquinas.

Fundente - un material, que al calentarse, produce una capa protectora de gas alrededor del área de soldadura. Esta capa protege los metales, base y de relleno, contra las impurezas en el aire.

Soldar con Arcos de Fundente - también se conoce como soldar sin gas, esta técnica para soldar usa una soldadora con alambre. El alambre es tubular y lleno de fundente.

Soldar con Arcos de Metal Gaseoso es un proceso para soldar usado con una soldadora con alambre. El alambre es sólido y se usa un gas inerte.

Soldar con Arcos de Tungsteno es un proceso para soldar usado con soldadoras con generadores de alta frecuencia. El arco se crea entre un electrodo no-consumible de tungsteno y la pieza de trabajo. No es indispensable usar un metal de relleno.

Unión de superposición - la unión de dos miembros superpuestos en planos paralelos.

Voltaje de circuito abierto - el voltaje entre el electrodo y la pinza de conexión a tierra de la soldadora cuando no hay flujo de corriente (no se está soldando). Esto determina la rapidez con que se enciende el arco.

Sobremonta - ocurre si el amperaje es demasiado bajo. En este caso, el metal derretido se cae del electrodo sin haberse unido al metal básico.

Porosidad - cavidad que se forma durante la solidificación del área soldada. Las porosidades debilitan la unión.

Penetración - la profundidad que el arco se penetra dentro de la pieza de trabajo durante el proceso de soldar. Para soldar bien se debe lograr 100% de penetración, es decir todo el grosor de la pieza de trabajo se debe derretir y solidificar. El área afectada por el calor se debe ver fácilmente desde el otro lado.

Soldar con arcos protegidos - es un proceso de soldar que usa un electrodo consumible para sostener el arco. La protección se logra al derretir el fundente del electrodo.

Escoria - una capa de residuo de fundente que protege la unión de óxidos y otros contaminantes mientras los metales se solidifican (enfrian). Este se debe limpiar una vez que el metal se haya enfriado.

Salpiqueo - las partículas de metal que salpican durante el proceso de soldar y que se solidifican en la superficie de trabajo. Esto se puede minimizar al rociar un repelente adecuado antes de

comenzar a soldar.

Soldadura de puntos - una unión hecha para mantener las piezas alineadas hasta que se haya completado el proceso de soldar.

Angulo de desplazamiento - el ángulo del electrodo con respecto a la línea a soldar. Este varía entre los 5° y 45° según sean las condiciones.

Unión en T - es la unión del borde de una pieza de metal con la superficie de otra en un ángulo de 90°.

Socavación - el resultado de soldar con un amperaje demasiado alto. Esto ocasiona ranuras en ambos lados de la reborde que reduce la resistencia de la unión.

Sedimento - el volumen de metal derretido al soldar antes de que se solidifique como metal soldado.

Reborde - una capa delgada o capas de metal depositado en el metal básico cuando el electrodo se derrite. Generalmente su grosor es el doble del diámetro del electrodo.

Angulo de trabajo - el ángulo del electrodo con respecto a la línea horizontal, medido en ángulos rectos a la línea de soldar.

