



**CAMPBELL
HAUSFELD®**

Handle & Wheel Kit

Replacement Parts List

GN1204

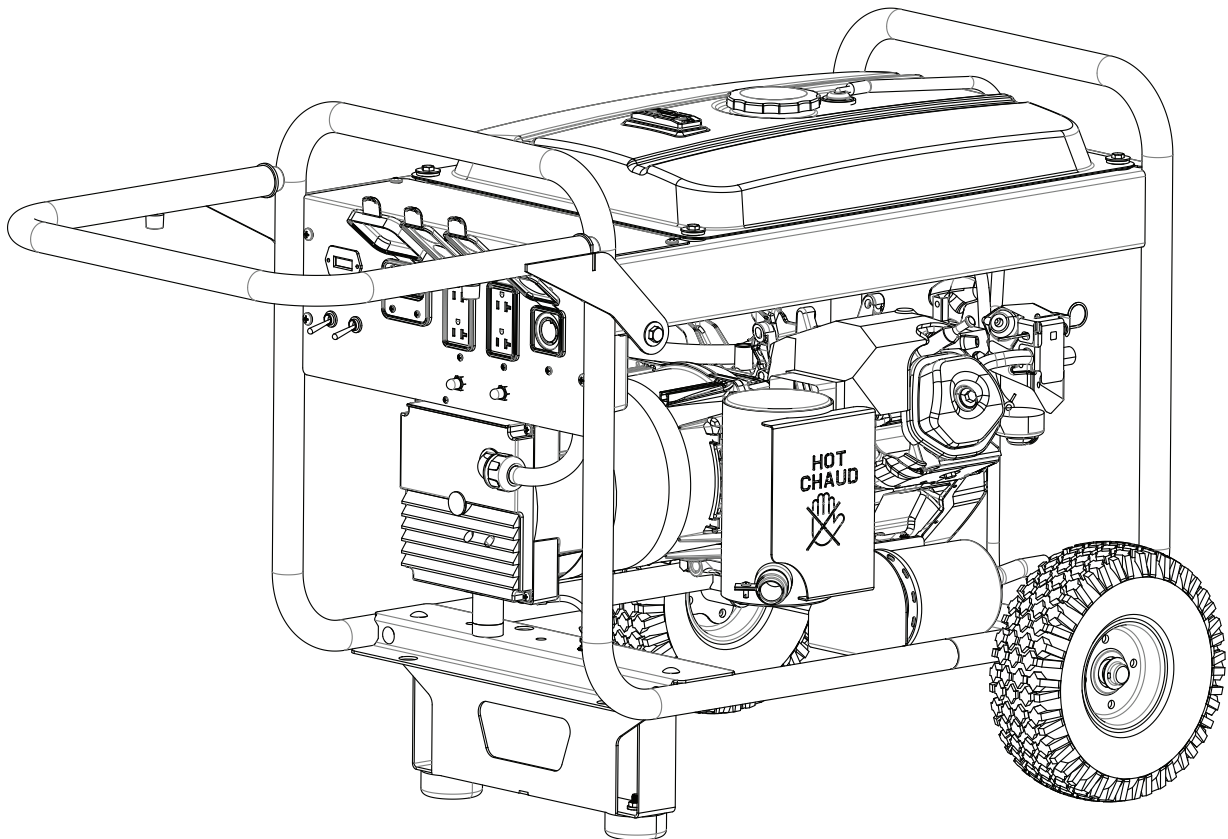
**For Replacement Parts or Technical Assistance,
Call 1-800-746-5641**

Please provide following information:

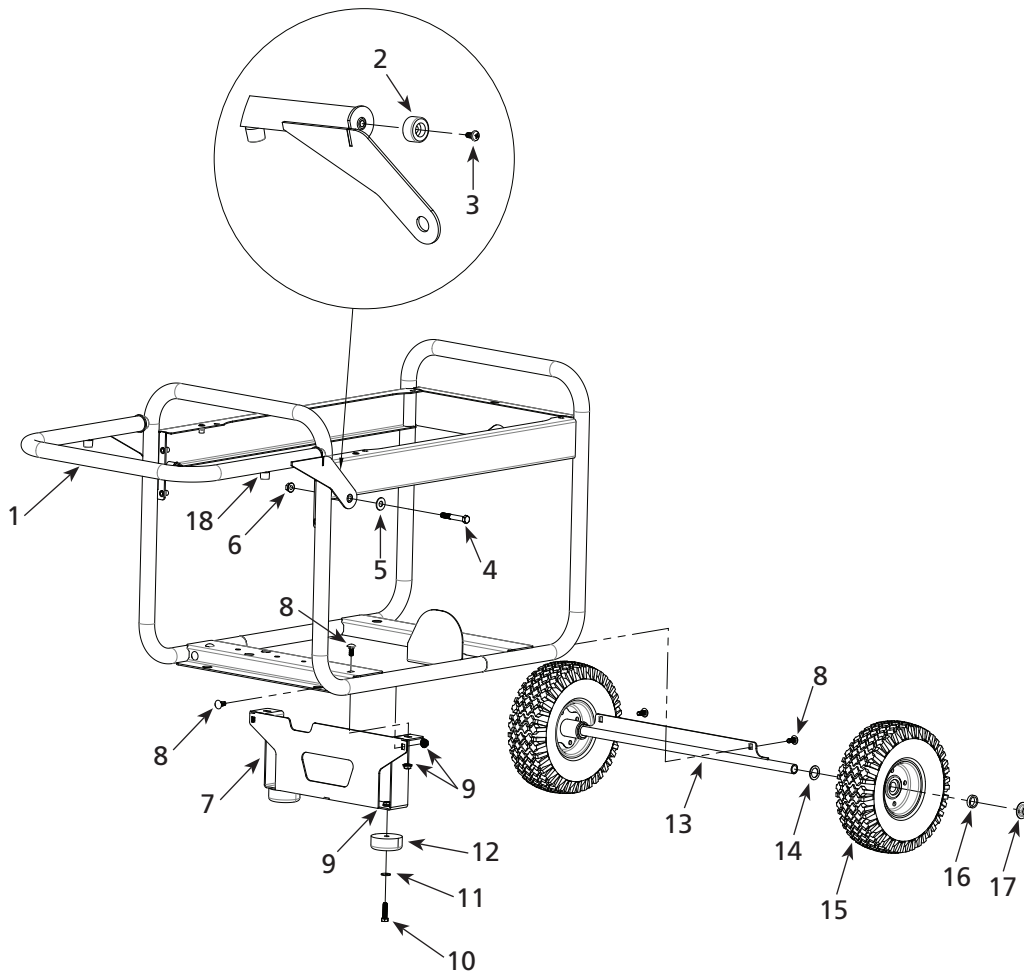
- Model number
- Serial number (if any)
- Part description and number as shown in parts list

Address any correspondence to:

Campbell Hausfeld
Attn: Customer Service
100 Mundy Memorial Dr.
Mt. Juliet, TN 37122 USA



For GN5060, GN6575, and GW4510 Generator Models



Replacement Parts List

Ref. No.	Description	Part Number	Qty.
1	Handle	GN051064KK	1
2	Plastic Bumper	MJ110305AV	2
3	1/4 - 20 UNC x 3/4 inch Pan Head Screw	MJ101109AV **	2
4	3/8 - 16 UNC x 2-1/2 inch Hex Bolt	MJ102102AV **	2
5	3/8 inch Flat Washer	MJ105315AV **	2
6	3/8 - 16 UNC Flange Nut	ST033500AV **	2
7	Wheel Kit Foot	GN051058KK	1
8	5/16 - 18 UNC x 3/4 inch Carriage Bolt	MJ103307AV **	6
9	5/16 - 18 UNC Flange Nut	PM031100AV **	8
10	5/16 - 18 UNC x 1-1/4 inch Hex Bolt	ST012800AV **	2
11	5/16 inch Flat Washer	MJ105300AV **	2
12	2-1/2 inch Rubber Foot	MJ110304AV	2
13	Axle	GN051057KK	1
14	0.765 inch ID x 1 inch OD Flat Washer	MJ105307AV	2
15	Pneumatic Wheel	WA005621AV	2
16	1/4 inch Axle Spacer	AL177001AV	2
17	3/4 inch Palnut	PM344759AV	2
18	Small Rubber Foot	ST115700AV	2

** Standard hardware item. Available at most hardware stores.