

Please read and save these instructions. Read carefully before attempting to assemble, install, operate or maintain the product described. Protect yourself and others by observing all safety information. Failure to comply with instructions could result in personal injury and/or property damage! Retain instructions for future reference.



1-1/4 inch Brad Nailer

Table of Contents

Description 1

Unpacking 1

Safety Guidelines 1

Important Safety Information 1

Tool Components and Specifications. 2

Operating Instructions 4

 Lubrication 4

 Recommended Hookup. 4

 Operational Mode 5

 Single Sequential Mode 5

 Operating A Sequential Trip Tool. 5

 Loading/Unloading The Tool. 5

 Adjusting the Fastener Penetration 6

 Adjusting Direction of Exhaust. 6

 Clearing A Jam From The Tool 6

User-Maintenance Instructions 6

Fasteners 7

Interchange Information 7

Troubleshooting Chart 8

Warranty 10

Description

This nailer is designed for decorative trim, molding, window casings, furniture trim and picture frame assembly. Features include: adjustable exhaust, single sequential trigger, quick clear nose, and an adjustable depth of drive mechanism.

Unpacking

After unpacking the unit, inspect carefully for any damage that may have occurred during transit. Make sure to tighten fittings, bolts, etc., before putting unit into service.

Safety Guidelines

This manual contains information that is very important to know and understand. This information is provided for SAFETY and to PREVENT EQUIPMENT PROBLEMS. To help recognize this information, observe the following symbols.

▲ DANGER Danger indicates an imminent hazardous situation which, if not avoided, WILL result in death or serious injury.

▲ WARNING Warning indicates a potentially hazardous situation which, if not avoided, COULD result in death or serious injury.

▲ CAUTION Caution indicates a potentially hazardous situation which, if not avoided, MAY result in minor or moderate injury.

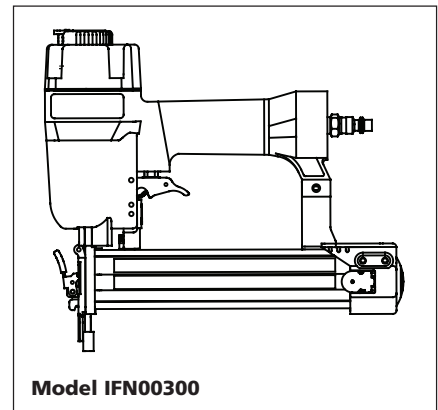
NOTICE Notice indicates important information, that if not followed, may cause damage to equipment.

NOTE: Information that requires special attention.

Important Safety Instructions

INSTRUCTIONS PERTAINING TO A RISK OF FIRE, ELECTRIC SHOCK, OR INJURY TO PERSONS

▲ WARNING When using tools, basic precautions should always be followed, including the following:



Model IFN00300

Locate model and date code on tool and record below:

Model No.: _____

Date Code: _____

Retain these numbers for future reference.

CALIFORNIA PROPOSITION 65

▲ WARNING This product or its power cord may contain chemicals known to the State of California to cause cancer and birth defects or other reproductive harm. Wash hands after handling.

▲ WARNING

You can create dust when you cut, sand, drill or grind materials such as wood, paint, metal, concrete, cement, or other masonry. This dust often contains chemicals known to cause cancer, birth defects, or other reproductive harm. Wear protective gear.



REMINDER: Keep your dated proof of purchase for warranty purposes! Attach it to this manual or file it for safekeeping.

Important Safety Instructions (Continued)

GENERAL

- a. To reduce the risks of electric shock, fire, and injury to persons, read all the instructions before using the tool.



- b. Be thoroughly familiar with the controls and the proper use of the equipment. Follow all instructions. Contact your Campbell Hausfeld representative if you have any questions.
- c. Only persons well acquainted with these rules of safe operation should be allowed to use the unit.

⚠ DANGER *Read and understand tool labels and manual. Failure to follow warnings, dangers, and cautions could result in DEATH or SERIOUS INJURY.*

WORK AREA

- a. Keep the work area clean and well lighted. Cluttered benches and dark areas increase the risks of electric shock, fire, and injury to persons.
- b. Do not operate the tool in explosive atmospheres, such as in the presence of flammable liquids, gases, or dust. The tool is



able to create sparks resulting in the ignition of the dust or fumes.

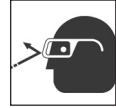
- c. Keep bystanders, children, and visitors away while operating the tool. Distractions are able to result in the loss of control of the tool.

PERSONAL SAFETY

- a. Stay alert. Watch what you are doing and use common sense when operating the tool. Do not use the tool while tired or under the influence of drugs, alcohol, or medication. A moment of inattention while operating the tool increases the risk of injury to persons.
- b. Dress properly. Do not wear loose clothing or jewelry. Contain long hair. Keep hair, clothing, and gloves away from moving parts. Loose clothes, jewelry, or long hair increases the risk of injury to persons as a result of being caught in moving parts.
- c. Avoid unintentional starting. Be sure the switch is off before connecting to the air supply. Do not carry the tool with your finger on the switch or connect the tool to the air supply with the switch on.
- d. Do not overreach. Keep proper footing and balance at all times. Proper footing and balance enables

better control of the tool in unexpected situations.

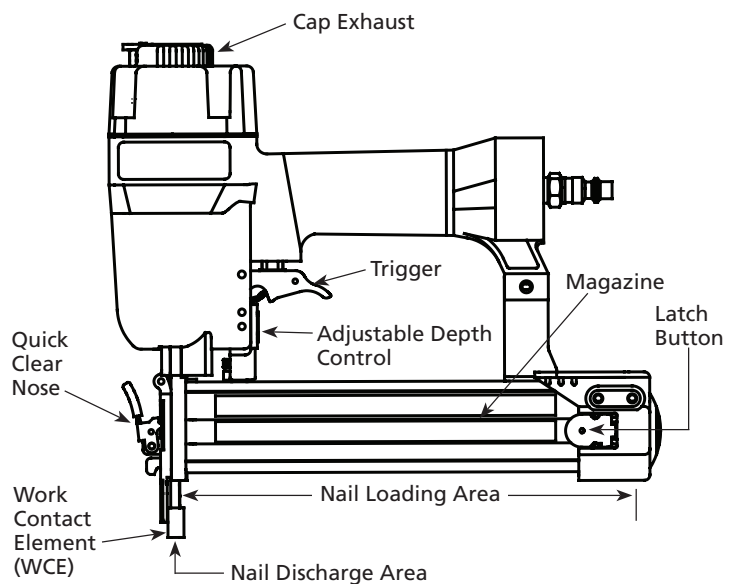
- e. Use safety equipment. A dust mask, non-skid safety shoes and a hard hat must be used for the applicable conditions.
- f. Always wear eye protection.
- g. Always wear hearing protection when using the tool. Prolonged exposure to high intensity noise is able to cause hearing loss.
- h. Do not attach the hose or tool to your body. Attach the hose to the structure to reduce the risk of loss of balance if the hose shifts.
- i. Always assume that the tool contains fasteners. Do not point the tool toward yourself or anyone whether it contains fasteners or not.



- j. **⚠ WARNING** *Do not nail on top of another nail. This is able to cause the nail to be deflected and hit someone, or cause the tool to react and result in a risk of injury to persons.*
- k. **⚠ WARNING** *Remove finger from the trigger when not driving fasteners. Never carry the tool with finger on trigger, the tool is able to fire a fastener.*

Tool Components and Specifications

- **REQUIRES:** 0.8 SCFM with 10 fasteners per minute @ 90 psi
- **AIR INLET:** 1/4 inch NPT
- **STAPLE SIZE RANGE:** 3/8 inch to 1-1/4 inch
- **MAGAZINE CAPACITY:** 100 Nails per load, 18 gauge
- **WEIGHT:** 2 lbs., 12 oz.
- **LENGTH:** 10-3/4 inch
- **HEIGHT:** 9 inch
- **MAXIMUM PRESSURE:** 100 psi
- **PRESSURE RANGE:** 60 psi – 100 psi



Important Safety Instructions (Continued)

▲ DANGER Always remain in a firmly balanced position when using or handling the tool.

▲ CAUTION Avoid long extended periods of work with the tool. Stop using the tool if you feel pain in hands or arms.

TOOL USE AND CARE

- Use clamps or another practical way to secure and support the workpiece to a stable platform. Holding the work by hand or against the body is unstable and is able to lead to loss of control.
- Do not force the tool. Use the correct tool for the application. The correct tool will do the job better and safer at the rate for which the tool is designed.
- Do not use the tool if the switch does not turn the tool on or off. Any tool that cannot be controlled with the switch is dangerous and must be repaired.
- Disconnect the tool from the air source before making any adjustments, changing accessories, or storing the tool. Such preventive safety measures reduce the risk of starting the tool unintentionally.
- Store the tool when it is idle out of reach of children and other untrained persons. A tool is dangerous in the hands of untrained users.
- Maintain the tool with care. Keep a cutting tool sharp and clean. A properly maintained tool, with sharp cutting edges reduces the risk of binding and is easier to control.
- Check for misalignment or binding of moving parts, breakage of parts, and any other condition that affects the tool's operation. If damaged, have the tool serviced before using. Many accidents are caused by poorly maintained tools. There is a risk of bursting if the tool is damaged.
- Use only accessories that are identified by the manufacturer for the specific tool model. Use of an

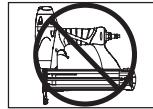
accessory not intended for use with the specific tool model, increases the risk of injury to persons.

- Selecting an appropriate tool actuation system, taking into consideration the work application for which the tool is used.

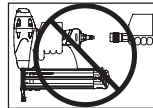
▲ DANGER Never use gasoline or other flammable liquids to clean the tool. Never use the tool in the presence of flammable liquids or gases. Vapors could ignite by a spark and cause an explosion which will result in death or serious personal injury.



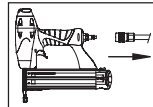
▲ DANGER Do not remove, tamper with, or otherwise cause the Work Contact Element (WCE) or trigger to become inoperable. Do not operate any tool which has been modified in a like fashion. Death or serious personal injury could result.



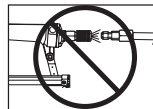
▲ DANGER Do not touch the trigger unless driving fasteners. Never attach air line to tool or carry tool while touching the trigger. The tool could eject a fastener which will result in death or serious personal injury.



▲ WARNING Always disconnect the tool from the power source when unattended, performing any maintenance or repair, clearing a jam, or moving the tool to a new location. Always reconnect the air line BEFORE loading any fasteners. Do not load the tool with fasteners when either the trigger is depressed or the Work Contact Element (WCE) is engaged. The tool could eject a fastener causing death or serious personal injury.



▲ WARNING Always fit tool with a fitting or hose coupling on or near the tool in such a manner that all compressed air in the tool is discharged at the time the fitting or hose coupling is disconnected. Do not use a check valve or any other fitting which allows air to remain in the tool. Death or serious personal injury could occur.



▲ WARNING

Never place hands or any other body parts in the fastener discharge area of the tool. The tool might eject a fastener and could result in death or serious personal injury.



▲ WARNING

Never carry the tool by the air hose or pull the hose to move the tool or a compressor. Keep hoses away from heat, oil and sharp edges. Replace any hose that is damaged, weak or worn. Personal injury or tool damage could occur.

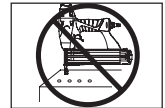


▲ WARNING

Always assume the tool contains fasteners. Respect the tool as a working implement; no horseplay. Always keep others at a safe distance from the work area in case of accidental discharge of fasteners. Do not point the tool toward yourself or anyone whether it contains fasteners or not. Accidental triggering of the tool could result in death or serious personal injury.

▲ WARNING

Do not drive a fastener on top of other fasteners. The fastener could glance and cause death or a serious puncture wound.



▲ WARNING

Do not operate or allow anyone else to operate the tool if any warnings or warning labels are not legible. Warnings or warning labels are located on the tool magazine and body.



▲ WARNING

Do not drop or throw the tool. Dropping or throwing the tool can result in damage that will make the tool unusable or unsafe. If the tool has been dropped or thrown, examine the tool closely for bent, cracked or broken parts and air leaks. STOP and repair before using or serious injury could occur.

▲ CAUTION

Always check that the Work Contact Element (WCE) is operating properly. A fastener could accidentally be driven if the WCE is not working properly. Personal injury may occur (See "Checking the Work Contact Element" Section).

NOTICE

Avoid using the tool when the magazine is empty. Accelerated wear on the tool may occur.

Important Safety Instructions (Continued)

NOTICE *Clean and check all air supply hoses and fittings before connecting the tool to an air supply. Replace any damaged or worn hoses or fittings. Tool performance or durability may be reduced.*

SERVICE

- Tool service must be performed only by qualified repair personnel.
- When servicing a tool, use only identical replacement parts. Use only authorized parts.
- Use only the lubricants supplied with the tool or specified by the manufacturer.

CAUTION *Do not make any modifications to the tool without first obtaining written approval from Campbell Hausfeld. Do not use the tool if any shields or guards are removed or altered. Do not use the tool as a hammer. Personal injury or tool damage may occur.*

CAUTION *Disconnect air supply and release tension from the pusher before attempting to clear jams because fasteners can be ejected from the front of the tool. Personal injury may occur.*

AIR SOURCE

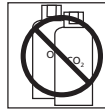
- Never connect to an air source that is capable of exceeding 200 psi. Over pressurizing the tool is able to result in bursting, abnormal

operation, breakage of the tool or serious injury to persons. Use only clean, dry, regulated compressed air at the rated pressure or within the rated pressure range as marked on the tool. Always verify prior to using the tool that the air source has been adjusted to the rated air pressure or within the rated air-pressure range.

- Never use oxygen, carbon dioxide, combustible gases or any bottled gas as an air source for the tool. Such gases are capable of explosion and serious injury to persons.

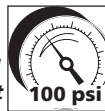
▲ DANGER

Do not use any type of reactive gases, including, but not limited to, oxygen and combustible gases, as a power source. Use filtered, lubricated, regulated compressed air only. Use of a reactive gas instead of compressed air may cause the tool to explode which will cause death or serious personal injury.



▲ DANGER

Use only a pressure-regulated compressed air source to limit the air pressure supplied to the tool. The regulated pressure must not exceed 100 psi. If the regulator fails, the pressure delivered to the tool must not exceed 200 psi. The tool could explode which will cause death or serious personal injury.



**SAVE THESE INSTRUCTIONS
DO NOT DISCARD**

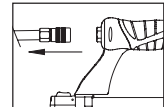
OPERATING INSTRUCTIONS

LUBRICATION

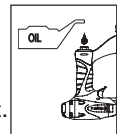
This tool requires lubrication before using the tool for the first time and before each use. If an inline oiler is used, manual lubrication through the air inlet **is not** required on a daily basis.

NOTICE *The work surface can become damaged by excessive lubrication. Proper lubrication is the owner's responsibility. Failure to lubricate the tool properly will dramatically shorten the life of the tool and void your warranty.*

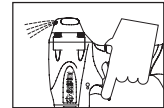
1. Disconnect the air supply from the tool to add lubricant.



2. Turn the tool so the air inlet is facing up. Place 4-5 drops of 30 W non-detergent oil into air inlet. Do not use detergent oils, oil additives, or air-tool oils. Air tool oils contain solvents which will damage the tool's internal components.



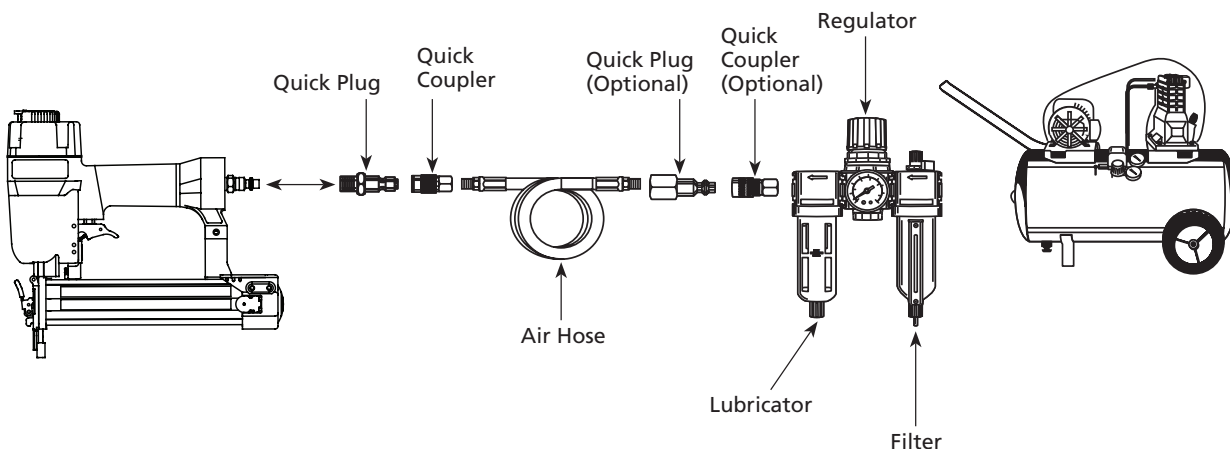
3. After adding oil, run tool briefly. Wipe off any excess oil from the cap exhaust.



RECOMMENDED HOOKUP

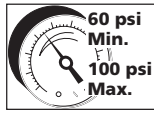
The illustration below shows the recommended hookup for the tool.

Recommended Hookup

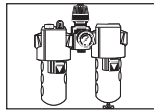


**OPERATING INSTRUCTIONS
(Continued)**

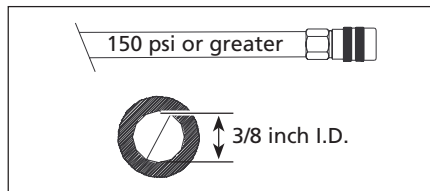
1. The air compressor must be able to maintain a minimum of 60 psi when the tool is being used. An inadequate air supply can cause a loss of power and inconsistent driving.



2. An oiler can be used to provide oil circulation through the tool. A filter can be used to remove liquid and solid impurities which can rust or "gum up" internal parts of the tool.



3. Always use air supply hoses with a minimum working pressure rating equal to or greater than the pressure from the power source if a regulator fails, or 150 psi, whichever is greater. Use 3/8" air hose for runs up to 50'. Use 1/2" air hoses for 50' run or longer. For better performance, install a 3/8" quick plug (1/4" NPT threads) with an inside diameter of .315" (8mm) on the tool and a 3/8" quick coupler on the air hose.



4. Use a pressure regulator on the compressor, with an operating pressure of 0 - 125 psi. A pressure regulator is required to control the operating pressure of the tool between 60 and 100 psi.

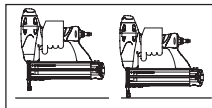
OPERATIONAL MODE

⚠ WARNING Always know the operational mode of the tool before using. Failure to know the operational mode could result in death or serious personal injury.

THIS TOOL IS SOLD WITH A BLACK SINGLE SEQUENTIAL TRIGGER. THIS TOOL IS NOT INTENDED TO BE USED WITH A BUMP MODE TRIGGER.

SINGLE SEQUENTIAL MODE

This mode requires the trigger to be pulled each time a fastener is driven.



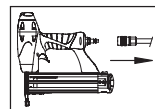
The tool can be actuated by depressing the Work Contact Element (WCE) against the work surface followed by pulling the trigger.

The trigger must be released to reset the tool before another fastener can be driven.

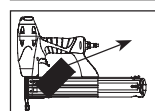
OPERATING A SEQUENTIAL TRIP TOOL

⚠ CAUTION Check the operation of the Work Contact Element (WCE) trip mechanism before each use. The WCE must move freely without binding through its entire travel distance. The WCE spring must return the WCE to its fully extended position after being depressed. Do not operate the tool if the WCE trip mechanism is not operating properly. Personal injury may occur.

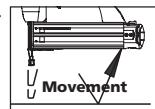
1. Disconnect the air supply from the tool.



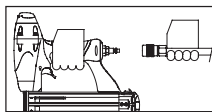
2. Remove all fasteners from the magazine (see Loading/Unloading).



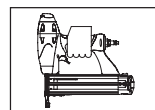
3. Make sure the trigger and work contact element (WCE) move freely up and down without sticking or binding.



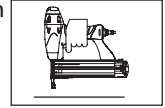
4. Reconnect air supply to the tool.



5. Depress the Work Contact Element (WCE) against the work surface without pulling the trigger. The tool **MUST NOT OPERATE**. Do not use the tool if it operates without pulling the trigger. Personal injury may result.

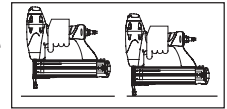


6. Remove the tool from the work surface. The Work Contact Element (WCE) must return to its original

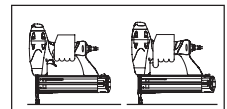


down position. The tool **MUST NOT OPERATE**. Do not use the tool if it operates while lifted from the work surface. Personal injury may result.

7. Pull the trigger and depress the work contact element (WCE) against the work surface. The tool **MUST NOT OPERATE**.



8. Depress the Work Contact Element (WCE) against the work surface. Pull the trigger. The tool **MUST OPERATE**.

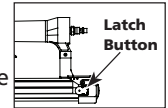


⚠ WARNING An improperly functioning tool must not be used. Do not actuate the tool unless the tool is placed firmly against the work piece.

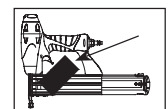
LOADING/UNLOADING THE TOOL

1. Always **connect** the tool to the air supply **before** loading fasteners.

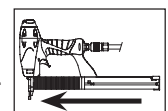
2. Push down on the latch button. Pull back on the magazine cover.



3. Insert a stick of Campbell Hausfeld nails or equivalent (see "Fasteners" section) into the magazine. Make sure pointed ends of nails are resting on bottom ledge of magazine when loading. Make sure nails are not dirty or damaged.



4. Push the magazine cover forward until latch button pops up.



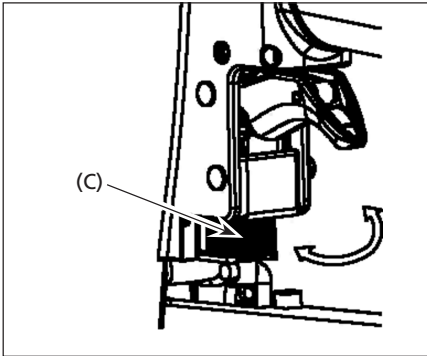
5. Always unload all fasteners before removing tool from service. Unloading is the reverse of loading, except always disconnect the air supply before unloading.

OPERATING INSTRUCTIONS (Continued)

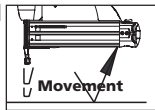
ADJUSTING THE FASTENER PENETRATION

The tool is equipped with an adjustable depth of drive feature. This allows the user to determine how deep a fastener will be driven into the work surface.

1. Adjust operating pressure so fasteners are driven consistently. Do not exceed 100 psi.
2. To drive the fastener shallower, turn the wheel (C) to right to the extent desired.
3. To sink a fastener deeper, turn the wheel (C) to left to the extent desired.

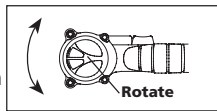


4. Make sure trigger and work contact element (WCE) move freely up and down without binding or sticking after each adjustment.



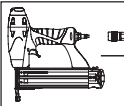
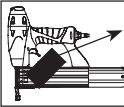
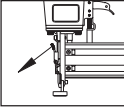
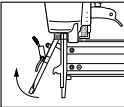
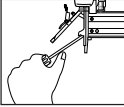
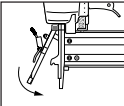
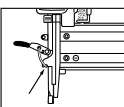
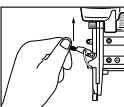
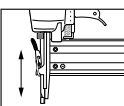
ADJUSTING THE DIRECTION OF THE EXHAUST

The tool is equipped with an adjustable direction exhaust deflector.



This is intended to allow the user to change the direction of the exhaust. Simply twist the deflector to any direction desired.

CLEARING A JAM FROM THE TOOL

1. Disconnect the air supply from the tool. 
2. Remove all nails from the magazine (see "Loading/ Unloading The Nailer"). Failure to do so will cause the nails to eject from the front of the nailer. 
3. Undo latch by pulling out and down. The wire latch will disengage from the hooks on the nose. 
4. The door can now be rotated, exposing the jammed fastener. 
5. Remove the jammed fastener, using pliers or a screwdriver if required. 
6. Rotate door back into the closed position. 
7. Extend the wire latch and place over the hooks on the nose. 
8. Close the latch by pushing the latch up and in until the latch snaps into place. 
9. Make sure the trigger and work contact element (WCE) move freely up and down without sticking or binding. 

USER-MAINTENANCE INSTRUCTIONS

TECHNICAL SERVICE

Please call our Tool Hotline at 1-800-543-6400 with any questions regarding the operation or repair of this tool or for additional copies of this manual.

FASTENER AND REPLACEMENT PARTS

▲ WARNING Use only genuine Campbell Hausfeld 18 gauge fasteners (or equivalent - see Fastener Interchange Information). Tool performance, safety and durability could be reduced if improper fasteners are used. When ordering replacement parts or fasteners, specify by part number.

TOOL REPAIR

Only qualified personnel should repair the tool and they should use genuine Campbell Hausfeld replacement parts and accessories, or parts and accessories which perform equivalently.

ASSEMBLY PROCEDURE FOR SEALS

When repairing a tool, the internal parts must be cleaned and lubricated. Parker O-lube or equivalent must be used on all o-rings. Each o-ring must be coated with O-lube before assembling. A small amount of oil must be used on all moving surfaces and pivots. After reassembling, a few drops of 30W non-detergent oil or equivalent, must be added through the air line before testing.

STORAGE

The stapler should be stored in a cool dry place.

Fasteners

The following Campbell Hausfeld finishing fasteners are available at local retail stores. If you need help locating any item, call customer service at 1-800-543-6400. Campbell Hausfeld fasteners meet or exceed ASTM Standard F1667.

Model #	Length	Shank Gauge	Finish	Head	Collation	Nails Per Stick	Nails Per Box
FB001600	5/8 inch	18 Gauge	Galvanized/Vinyl Coated	Brad/Brown	Adhesive	100	5000
FB002000	3/4 inch	18 Gauge	Galvanized/Vinyl Coated	Brad/Brown	Adhesive	100	5000
FB002500	1 inch	18 Gauge	Galvanized/Vinyl Coated	Brad/Brown	Adhesive	100	5000
FB003000	1-1/4 inch	18 Gauge	Galvanized/Vinyl Coated	Brad/Brown	Adhesive	100	5000
FB180016	5/8 inch	18 Gauge	Galvanized/Vinyl Coated	Brad/Brown	Adhesive	100	1000
FB180025	1 inch	18 Gauge	Galvanized/Vinyl Coated	Brad/Brown	Adhesive	100	1000
FB180030	1-1/4 inch	18 Gauge	Galvanized/Vinyl Coated	Brad/Brown	Adhesive	100	1000

Interchange Information

Can use brad nails from the following branded air-powered brad nailers: Bostitch® BT125SK-2, Campbell Hausfeld® NB0030, DeWalt® D51238K, Paslode® T125-F18, Porter Cable® BN125, and Senco Finish Pro® 15.

Troubleshooting Chart

⚠ WARNING *Stop using stapler immediately if any of the following problems occur. Serious personal injury could occur. Any repairs or replacements must be done by a Qualified Service Person or Authorized Service Center.*

Symptom	Possible Cause(s)	Corrective Action
Air leaking at trigger valve area.	O-Rings in trigger valve housing are damaged	Replace o-rings and check operation of Work Contact Element (WCE)
Air leaking between housing and nose.	1. Damaged O-Rings 2. Damage to bumper	1. Replace o-rings 2. Replace bumper
Air leaking between housing and cap.	1. Loose screws 2. Damaged gasket	1. Tighten screws 2. Replace gasket
Nailer skips driving nail	1. Worn bumper 2. Dirt in nose piece 3. Dirt or damage prevent staples or pusher from moving freely in magazine 4. Damaged pusher spring 5. Inadequate air flow to stapler 6. Worn O-Ring on piston or lack of lubrication 7. Damaged O-Ring on trigger valve 8. Air leaks 9. Cap gasket leaking	1. Replace bumper 2. Clean drive channel 3. Clean magazine 4. Replace spring 5. Check fitting, hose, or compressor 6. Replace and lubricate o-rings 7. Replace o-rings 8. Tighten screws and fittings 9. Replace gasket
Nailer runs slow or has loss of power	1. Nailer not lubricated sufficiently 2. Broken spring in cylinder cap 3. Exhaust port in cap is blocked	1. Lubricate nailer 2. Replace spring 3. Replace damaged internal parts
Nails are jammed in nailer	1. Guide on driver is worn 2. Nails are not correct size 3. Nails are bent 4. Magazine or nose screws are loose 5. Driver is damaged	1. Replace guide 2. Use only recommended nails 3. Replace with undamaged nails 4. Tighten screws 5. Replace driver

Limited Warranty

1. DURATION: From the date of purchase by the original purchaser as follows: Standard Duty Products - One (1) Year.
2. WHO GIVES THIS WARRANTY (WARRANTOR): Campbell Hausfeld / Scott Fetzer Company, 100 Production Drive, Harrison, Ohio, 45030, Telephone: (800) 543-6400
3. WHO RECEIVES THIS WARRANTY (PURCHASER): The original purchaser (other than for purposes of resale) of the Campbell Hausfeld product.
4. WHAT PRODUCTS ARE COVERED BY THIS WARRANTY: Any Campbell Hausfeld nailer, stapler, air tool, spray gun, inflator or air accessory supplied or manufactured by Warrantor.
5. WHAT IS COVERED UNDER THIS WARRANTY: Substantial defects in material and workmanship which occur within the duration of the warranty period.
6. WHAT IS NOT COVERED UNDER THIS WARRANTY:
 - A. Implied warranties, including those of merchantability and FITNESS FOR A PARTICULAR PURPOSE ARE LIMITED FROM THE DATE OF ORIGINAL PURCHASE AS STATED IN THE DURATION. If this product is used for commercial, industrial or rental purposes, the warranty will apply for ninety (90) days from the date of purchase. Some States do not allow limitation on how long an implied warranty lasts, so the above limitations may not apply to you.
 - B. ANY INCIDENTAL, INDIRECT, OR CONSEQUENTIAL LOSS, DAMAGE, OR EXPENSE THAT MAY RESULT FROM ANY DEFECT, FAILURE, OR MALFUNCTION OF THE CAMPBELL HAUSFELD PRODUCT. Some States do not allow the exclusion or limitation of incidental or consequential damages, so the above limitation or exclusion may not apply to you.
 - C. Any failure that results from an accident, purchaser's abuse, neglect or failure to operate products in accordance with instructions provided in the owner's manual(s) supplied with product. Accident, purchaser's abuse, neglect or failure to operate products in accordance with instructions shall also include the removal or alteration of any safety devices. If such safety devices are removed or altered, this warranty is void.
 - D. Normal adjustments which are explained in the owner's manual(s) provided with the product.
 - E. Items or service that are normally required to maintain the product, i.e. o-rings, springs, bumpers, debris shields, driver blades, fuses, batteries, gaskets, packings or seals, fluid nozzles, needles, sandblast nozzles, lubricants, material hoses, filter elements, motor vanes, abrasives, blades, cut-off wheels, chisels, chisel retainers, cutters, collets, chucks, rivet jaws, screw driver bits, sanding pads, back-up pads, impact mechanism, or any other expendable part not specifically listed. These items will only be covered for ninety (90) days from date of original purchase. Underlined items are warranted for defects in material and workmanship only.
7. RESPONSIBILITIES OF WARRANTOR UNDER THIS WARRANTY: Repair or replace, at Warrantor's option, products or components which are defective, have malfunctioned and/or failed to conform within duration of the warranty period.
8. RESPONSIBILITIES OF PURCHASER UNDER THIS WARRANTY:
 - A. Provide dated proof of purchase and maintenance records.
 - B. Call Campbell Hausfeld (800) 543-6400 to obtain your warranty service options. Freight costs must be borne by the purchaser.
 - C. Use reasonable care in the operation and maintenance of the products as described in the owner's manual(s).
9. WHEN WARRANTOR WILL PERFORM REPAIR OR REPLACEMENT UNDER THIS WARRANTY: Repair or replacement will be scheduled and serviced according to the normal work flow at the servicing location, and depending on the availability of replacement parts.

This Limited Warranty applies in the United States, Canada and Mexico only and gives you specific legal rights. You may also have other rights which vary from state to state or country to country.

Veillez lire et conserver ces instructions. Lire attentivement avant de commencer à assembler, installer, faire fonctionner ou entretenir l'appareil décrit. Protégez-vous et les autres en observant toutes les informations sur la sécurité. Négliger d'appliquer ces instructions peut résulter en des blessures corporelles et/ou en des dommages matériels ! Conserver ces instructions pour références ultérieures.



Cloueuse de pointes de vitrier de 3,18 cm

Table des matières

Description	11
Déballage	11
Directives de sécurité	11
Importantes instructions de sécurité	11
Pièces détachées et fisch technique mécanisme de la l'outil	12
Mode d'emploi	14
Graissage	14
Branchement recommandé	15
Mode d'opération	15
Mode séquentiel unique	15
Emploi d'un outil à déclenchement séquentiel	15
Chargement/déchargement de l'outil	15
Réglage de pénétration des attaches	16
Ajustement de la direction d'échappement	16
Déblocage de la l'outil	16
Instructions de maintenance de l'utilisateur	16
Attaches	18
Information d'interchangeabilité	18
Guide de dépannage	19
Garantie limitée	20

Description

Cette cloueuse est conçue pour les garnitures décoratives, les encadrements de fenêtres, les garnitures de meubles et les cadres. Caractéristiques: éjection réglable, gâchette à un coup, buse à dégagement rapide, réglage de pénétration des clous.

Déballage

Dès que l'appareil est déballé, l'inspecter attentivement pour tout signe de dommages en transit. S'assurer de resserrer tous les raccords, boulons, etc. avant de le mettre en service.

Directives de Sécurité

Ce manuel contient de l'information très importante qui est fournie pour la SÉCURITÉ et pour ÉVITER LES PROBLÈMES D'ÉQUIPEMENT. Rechercher les symboles suivants pour cette information.

▲ DANGER *Danger indique une situation hasardeuse imminente qui RÉSULTERA en perte de vie ou blessures graves.*

▲ AVERTISSEMENT *Avertissement indique une situation hasardeuse potentielle qui PEUT résulter en perte de vie ou blessures graves.*

▲ ATTENTION *Attention indique une situation hasardeuse potentielle qui PEUT résulter en blessures.*

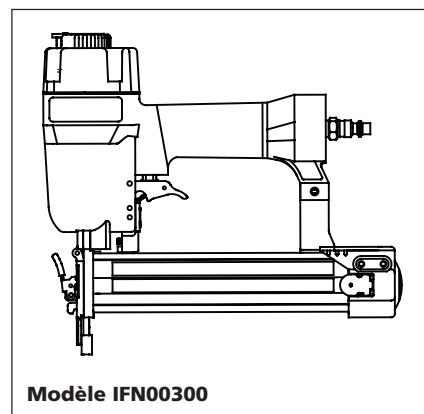
AVIS *Avis indique de l'information importante pour éviter le dommage de l'équipement.*

REMARQUE : L'information qui exige une attention spéciale.

Importantes instructions de sécurité

INSTRUCTIONS PORTANT SUR UN RISQUE D'INCENDIE, UN CHOC ÉLECTRIQUE OU DES BLESSURES AUX PERSONNES

▲ AVERTISSEMENT *En utilisant les outils, il faut suivre les précautions de base, y compris ce qui suit :*



Modèle IFN00300

Trouver le numéro de modèle et le code date sur le chargeur de l'outil et inscrire plus bas :

N° du Model : _____

Code de date : _____

Conserver ces numéros comme référence.

PROPOSITION 65 DE CALIFORNIE

▲ AVERTISSEMENT *Ce produit ou son cordon peuvent contenir des produits chimiques qui, de l'avis de l'État de Californie, causent le cancer et des anomalies congénitales ou autres problèmes de reproduction. Lavez-vous les mains après la manipulation.*

▲ AVERTISSEMENT

Vous pouvez créer de la poussière en coupant, ponçant, perçant ou meulant les matériaux tels que le bois, la peinture, le métal, le béton, le ciment ou autre maçonnerie. Cette poussière contient souvent des produits chimiques reconnus pour causer le cancer, les déformations congénitales ou autres problèmes de la reproduction. Porter de l'équipement de protection.



MÉMENTO: Gardez votre preuve datée d'achat à fin de la garantie!
Joignez-la à ce manuel ou classez-la dans un dossier pour plus de sécurité.

Importantes instructions de sécurité (Suite)

GÉNÉRALITÉ :

- a. Pour réduire les risques de chocs électriques, d'incendie ou de blessures aux personnes, lire toutes les instructions avant d'utiliser l'outil.



- b. Se familiariser avec ce produit, ses commandes et son utilisation. Suivez toutes les instructions. Contacter votre représentant Campbell Hausfeld si vous avez des questions.
- c. Seules les personnes familières avec ces règles d'utilisation sans danger devraient utiliser cette unité.

▲ DANGER Lire et comprendre les étiquettes et le manuel sur les outils. Ne pas suivre les avertissements, les dangers et les mises en garde pourrait causer la MORT ou de GRAVES BLESSURES.

AIRE DE TRAVAIL

- a. Garder l'aire de travail propre et bien éclairée. Les établis encombrés et les coins sombres augmentent les risques de chocs électriques, d'incendie et de blessures aux personnes.
- b. Ne pas faire fonctionner l'outil dans une atmosphère explosive comme en présence de liquides, gaz ou poussières inflammables.



L'outil peut produire des étincelles menant à une inflammation de poussières ou de fumées.

- c. **Garder les spectateurs, les enfants et les visiteurs loin en utilisant l'outil.** Les distractions peuvent faire perdre le contrôle de l'outil.

SÉCURITÉ PERSONNELLE

- a. **Rester vigilant. Il faut regarder ce que vous faites et utiliser son sens commun en faisant fonctionner un outil. Ne pas faire fonctionner l'appareil si vous êtes fatigué ou sous l'influence de drogues, d'alcool ou de médicaments.** Un moment d'inattention en faisant fonctionner l'outil augmente le risque de blessures.

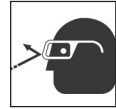
- b. **Il faut s'habiller correctement. Ne pas porter de bijoux ou de vêtements amples. Attacher les cheveux longs. Garder les cheveux, les vêtements et les gants loin des pièces mobiles.** Les vêtements amples, les bijoux ou les cheveux longs augmentent le risque de blessures si quelque chose se prend dans les pièces mobiles.

- c. **Éviter tout démarrage accidentel. S'assurer que l'interrupteur est en position d'arrêt (off) avant de brancher à l'alimentation d'air.** Ne pas transporter l'outil avec le doigt sur l'interrupteur ni brancher l'outil à l'alimentation d'air avec l'interrupteur en marche.

- d. **Ne pas trop se pencher. Garder bon pied et bon équilibre en tout temps.** Ceci permet d'avoir un meilleur contrôle de l'outil dans les situations imprévues.

- e. **Utiliser l'équipement de sécurité.** Il faut utiliser un masque antipoussières, des souliers de sécurité antidérapants et un casque de protection appropriés pour les conditions en cours.

- f. **Toujours porter une protection pour les yeux.**



- g. **Toujours porter une protection auditive en utilisant l'outil.** Toute exposition prolongée à des bruits de forte intensité pourrait provoquer une perte auditive.

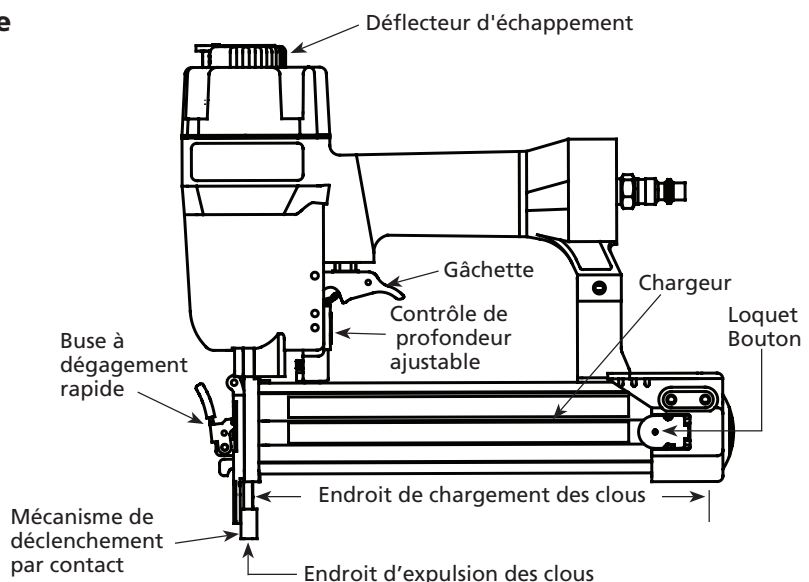
- h. **Ne pas attacher le boyau d'air ou l'outil à votre corps.** Fixer le boyau à la structure pour réduire le risque de perte d'équilibre si le boyau se déplace.

- i. **Toujours assumer que l'outil contient des attaches.** Ne pas pointer l'outil vers soi ou vers quelqu'un d'autre qu'il y ait des attaches ou non.

- j. **▲ AVERTISSEMENT** Ne pas clouer sur le dessus d'un autre clou. Ceci pourrait faire dévier le clou qui pourrait alors frapper quelqu'un ou l'outil pourrait réagir provoquant des blessures.

Pièces détachées et fiche technique mécanisme de la l'outil

- **EXIGE :** 0,02 m³/min avec 10 une attaches par minute à 621 kPa
- **PRISE D'AIR :** 1/4 po NPT
- **TAILLES DES STAPLE :** 3/8 à 1-1/4 po
- **CAPACITÉ DU CHARGEUR :** 100 attaches par charge, calibre 18
- **POIDS :** 1,24 kg
- **LONGUEUR :** 227,3 cm (10-3/4 po)
- **HAUTEUR :** 22,9 cm (9 po)
- **PRESSIION MAXIMALE :** 690 kPa
- **GAMME DE PRESSIION :** 414 - 690 kPa



Importantes instructions de sécurité (Suite)

- k. **⚠ AVERTISSEMENT** Retirer le doigt de la gâchette lorsqu'on n'enfoncé pas d'attaches. Ne jamais transporter l'outil avec le doigt sur la gâchette car l'outil pourrait déclencher l'attache.

⚠ DANGER Toujours bien s'équilibrer pendant la manipulation ou l'utilisation de l'outil.

⚠ ATTENTION Éviter d'utiliser l'outil pour une période de temps prolongée. Cesser d'utiliser l'outil si l'on ressent des douleurs dans les mains ou dans les bras.

UTILISATION ET ENTRETIEN DE L'OUTIL

- Utiliser des pinces ou tout autre moyen pratique pour fixer et supporter le travail à une plateforme stable. Tenir le travail de la main ou contre le corps est instable et pourrait mener à une perte de contrôle.
- Ne pas forcer l'outil. Utiliser le bon outil pour l'application. Le bon outil effectuera le meilleur travail sécuritaire au rythme pour lequel il a été conçu.
- Ne pas utiliser l'outil si l'interrupteur ne met pas l'outil en marche ou ne l'arrête pas. Tout outil qui ne peut pas être contrôlé par l'interrupteur est dangereux et doit être réparé.
- Retirer l'outil de la source d'air avant tout ajustement, avant de changer les accessoires ou de ranger l'outil. De telles mesures de sécurité préventives réduisent le risque de démarrage accidentel de l'outil.
- Ranger l'outil lorsqu'il n'est pas utilisé hors de portée des enfants et autres personnes non formées. Un outil est dangereux dans les mains d'utilisateurs non formés.
- Il faut entretenir l'outil avec soin. Gardez un outil de coupe tranchant et propre. Un outil bien entretenu aux bords de coupe tranchants est moins susceptible de bloquer et est plus facile à contrôler.
- Vérifier pour tout signe de mauvais alignement ou grippage de pièces mobiles, bris de pièces et toute autre condition qui pourrait affecter le fonctionnement de l'outil.

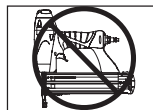
Si l'outil est endommagé, le réparer avant de l'utiliser. De nombreux accidents sont causés par des outils mal entretenus. Il y a un risque d'éclatement si l'outil est endommagé.

- Utiliser seulement des accessoires identifiés par le fabricant pour le modèle d'outil précis. L'utilisation d'un accessoire qui n'est pas prévu pour le modèle d'outil prévu, augmente le risque de blessures.
- Choisir un système d'activation de l'outil approprié en tenant compte de l'application de travail prévue pour l'outil.

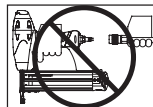
⚠ DANGER Ne jamais utiliser de l'essence ni les fluides inflammables pour le nettoyage de l'outil. Ne jamais utiliser l'outil près d'un liquide ou gaz inflammable. Une étincelle peut allumer les vapeurs et causer une explosion qui peut résulter en perte de vie ou blessures graves personnelles.



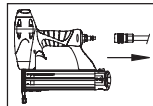
⚠ DANGER Ne pas retirer, modifier ou faire quoique ce soit qui pourrait rendre la gâchette ou le mécanisme de déclenchement par contact (WCE) inutilisable. Ne pas faire fonctionner d'outil qui a été modifié de cette façon. Cela pourrait mener à la mort ou à de graves blessures.



⚠ DANGER Ne toucher à la gâchette qu'au moment de poser des attaches. Ne jamais actionner la gâchette durant le transport de l'outil ou durant le raccordement de celle-ci au tuyau d'air comprimé. L'éjection accidentelle d'un outil peut causer des blessures graves ou mortelles.

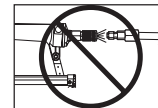


⚠ AVERTISSEMENT Toujours débrancher l'outil de la source de courant en votre absence, en effectuant des réparations ou son entretien, en débloquent l'appareil ou en le déplaçant ailleurs. Le raccordement du tuyau d'air comprimé doit toujours s'effectuer AVANT le chargement du magasin. Ne pas charger l'outil d'attaches lorsque la gâchette est enfoncée ou lorsque le mécanisme de déclenchement par contact (WCE) est engagé. L'éjection accidentelle d'une attache peut causer des blessures graves ou mortelles.



⚠ AVERTISSEMENT

Toujours installer un raccord ou un tuyau de raccord sur ou près de l'outil afin que tout air comprimé de l'outil soit déchargé au moment où l'on débranche le raccord ou le boyau. Ne pas utiliser un clapet ni autre raccord qui permet que l'air reste dans l'outil. Cela peut entraîner des blessures graves ou mortelles.



⚠ AVERTISSEMENT

Ne jamais poser l'embout de clouage sur la main ou sur toute autre partie du corps. L'éjection accidentelle d'une attache peut causer des blessures graves ou mortelles.



⚠ AVERTISSEMENT

Ne jamais transporter l'outil par le tuyau à air. Ne jamais tirer sur le tuyau pour déplacer l'outil ou le compresseur. Garder le tuyau à air à l'écart de la chaleur, l'huile et les objets pointus. Remplacer les tuyaux endommagés, faibles ou usés. Sinon, il y a risque de blessures personnelles ou de dommage à l'outil.

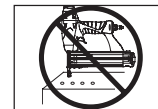


⚠ AVERTISSEMENT

Toujours prendre pour acquis que l'outil contient des attaches. Respecter l'outil comme accessoire de travail non pas un jouet. Donc aucun jeu brutal. Toujours garder les autres personnes à une distance de sécurité de l'aire de travail en cas de décharge accidentelle des attaches. Ne pas pointer l'outil vers vous ou vers quelqu'un d'autre qu'il y ait ou non des attaches dans l'outil. Le déclenchement accidentel de l'outil pourrait causer la mort ou de graves blessures.

⚠ AVERTISSEMENT

Ne jamais enfoncer les attaches une par-dessus l'autre. L'attache pourrait ricocher et causer la mort ou une blessure grave de perforation.



⚠ AVERTISSEMENT

Ne pas utiliser l'outil ni permettre qu'une autre personne l'utilise si les avertissements ou les étiquettes d'avertissement situés sur le chargeur et corps de l'outil ne sont pas lisibles.



Importantes instructions de sécurité (Suite)

⚠ AVERTISSEMENT *Ne pas échapper ni jeter l'outil car ceci peut causer du dommage le rendant dangereux à utiliser. Si l'outil s'est fait échappé ou jeté, l'examiner soigneusement afin de déterminer s'il est courbé, fendu ou s'il y a des fuites ou pièces détachées endommagées. ARRÊTER et réparer avant d'utiliser, sinon, il y a risque de blessures graves.*

⚠ ATTENTION *Toujours vérifier le bon fonctionnement du mécanisme de déclenchement par contact (WCE). L'éjection accidentelle d'attaches peut se produire si ce mécanisme ne fonctionne pas correctement et cela pourrait entraîner des blessures. (Voir "Vérification du mécanisme de déclenchement par contact").*

AVIS *Éviter d'utiliser l'outil lorsque le chargeur est vide. Sinon, il y a risque d'usure accéléré de l'outil.*

AVIS *Nettoyer et vérifier tous les tuyaux et raccords avant de brancher l'outil au compresseur d'air. Remplacer les tuyaux ou les raccords endommagés ou usés, sinon, le rendement et la durabilité de l'outil seront affectés.*

SERVICE

- Tout le travail d'entretien et de réparation doit être effectué seulement par un personnel de réparation qualifié.
- En réparant ou faisant l'entretien d'un outil, utiliser seulement des pièces de rechange identiques. Utiliser seulement des pièces autorisées.
- Utiliser seulement les lubrifiants fournis avec l'outil ou spécifiés par le fabricant.

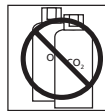
⚠ ATTENTION *Ne pas apporter de modifications à l'outil sans d'abord obtenir une approbation écrite de Campbell Hausfeld. N'utilisez pas d'outil si les écrans ou protecteurs ont été enlevés ou altérés. Ne pas utiliser l'outil comme marteau. Cela peut entraîner des blessures ou endommager l'appareil.*

⚠ ATTENTION *Pour éviter l'expulsion d'une attache, débrancher la source d'air et relâcher la tension du poussoir avant de procéder au déblocage. Sinon, il y a risque de blessures*

SOURCE D'AIR

- Ne jamais brancher à une source d'air pouvant dépasser 1379 kPa (200 lb/po²). Une surpression de l'outil peut mener à un éclatement, une opération anormale, un bris de l'outil ou de graves blessures. Utiliser seulement de l'air comprimé propre, sec, contrôlé à une pression nominale ou dans la plage de pression nominale tel qu'indiqué sur l'outil. Toujours vérifier avant d'utiliser l'outil que la source d'air est ajustée à la pression d'air nominale ou dans la plage de pression d'air nominale.
- Ne jamais utiliser d'oxygène, de dioxyde de carbone, de gaz combustible ou tout gaz en bouteille comme source d'air de l'outil. De tels gaz peuvent exploser et provoquer de graves blessures.

⚠ DANGER *Ne pas utiliser comme source d'alimentation tout type de gaz réactif, y compris, mais sans s'y limiter, de l'oxygène et des gaz combustibles. Utiliser seulement de l'air comprimé filtré, lubrifié et réglé. Utiliser un gaz réactif au lieu d'air comprimé pourrait faire exploser l'outil ce qui pourrait provoquer des blessures graves voire la mort.*



⚠ DANGER

Utiliser seulement une source d'air comprimé à pression pour limiter la pression d'air fournie à l'outil. La pression contrôlée ne doit pas dépasser 690 kPa. S'il y a une défaillance du régulateur, la pression livrée à l'outil ne doit pas dépasser 1 379 kPa. L'outil pourrait exploser ce qui pourrait mener à la mort ou à des blessures graves.



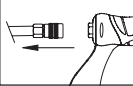

CONSERVER CES INSTRUCTIONS NE LES JETEZ PAS

MODE D'EMPLOI

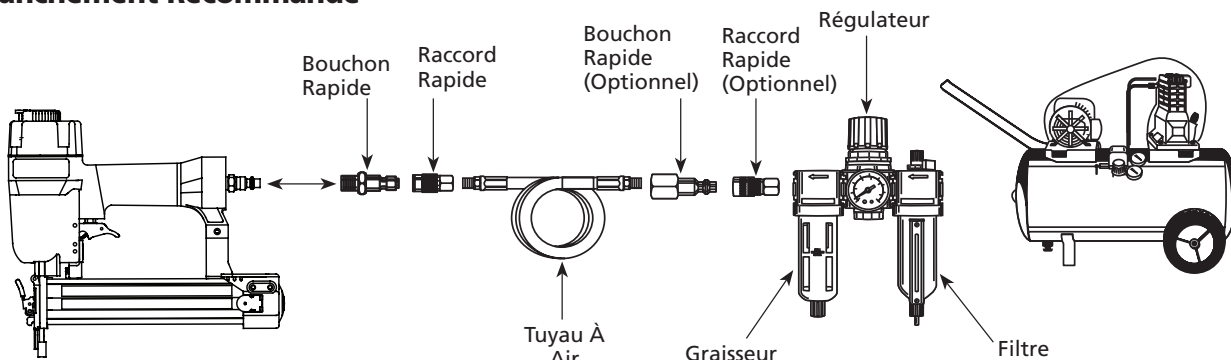
GRAISSAGE

Cet outil exige le graissage avant son usage initial et avant chaque usage. Si vous utilisez un graisseur en canalisation, le graissage manuel à travers la prise d'air **n'est pas** exigé quotidiennement.

AVIS *La surface de travail peut être endommagée par le graissage excessif. Le graissage correct est la responsabilité de l'utilisateur. Manque de graisser l'outil correctement peut raccourcir la durée de l'outil et peut annuler votre garantie.*

- Débrancher la source d'air de l'outil avant de graisser. 
- Tourner la l'outil de manière à ce que la prise d'air comprimé soit dirigée vers le haut. Introduire 4 ou 5 gouttes d'huile non-détergente dans la prise d'air comprimé. Ne pas utiliser d'huile détergente, d'additif à huile ni d'huile pour outils à air comprimé. 

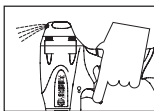
Branchement Recommandé



MODE D'EMPLOI (Suite)

Ces dernières contiennent des solvants qui peuvent endommager les pièces intérieures de l'outil.

- Après l'addition d'huile, faire fonctionner brièvement l'outil. Enlever tout excès d'huile sortant par le déflecteur d'échappement.



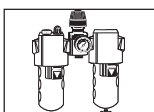
BRANCHEMENT RECOMMANDÉ

Le branchement recommandé est illustré ci-dessous.

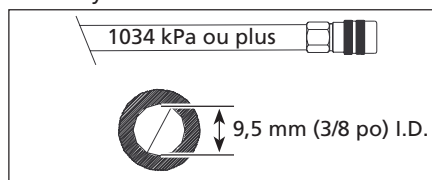
- Le compresseur d'air doit conserver un minimum de 414 kPa pendant l'utilisation de l'outil. L'alimentation d'air insuffisante peut réduire la puissance de l'outil et peut affecter l'efficacité de l'enfoncement.



- Un graisseur peut être utilisé pour fournir la circulation d'huile à travers l'outil. Un filtre peut être utilisé pour enlever les matières liquides et solides qui peuvent encrasser les pièces internes de l'outil.



- Toujours utiliser des tuyaux d'admission d'air d'une pression nominale minimum égale ou plus grande que la pression de la source d'alimentation si un régulateur cesse de fonctionner correctement ou de 1 034 kPa, selon la pression la plus élevée. Utiliser un tuyau d'air de 9,5 mm (3/8 po) pour les longueurs jusqu'à 15 m (50 pieds). Utiliser les tuyaux d'air de 12,7mm (1/2 po) pour 15m ou plus. Pour un meilleur rendement, installer un bouchon rapide de 9,5mm (3/8 po) avec (filets d'1/4 po NPT) un diamètre intérieur de .315 (8mm) sur l'outil et un raccord rapide de 9,5mm (3/8 po) sur le tuyau.



- Utiliser un régulateur de pression sur le compresseur avec une pression de service de 0 - 862 kPa. Un régulateur de pression est indispensable pour maintenir la pression de service de l'outil entre 414 et 690 kPa.

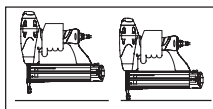
MODE D'OPÉRATION

⚠ AVERTISSEMENT *Toujours déterminer le mode d'opération avant d'utiliser l'outil. Sinon, il y a risque de mort ou blessures graves.*

CET OUTIL EST VENDU AVEC UNE GÂCHETTE SÉQUENTIELLE À UN COUP. CET OUTIL N'EST PAS CONÇU POUR UTILISATION AVEC UNE GÂCHETTE EN MODE DE CHOC.

MODE SÉQUENTIEL UNIQUE

La gâchette doit être tirée chaque fois qu'une attache est enfoncée.



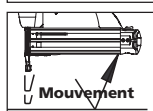
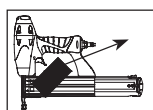
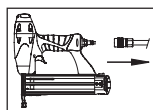
L'outil peut être actionnée en plaçant le mécanisme de déclenchement pointe de contact (WCE) contre la surface de travail et ensuite en tirant sur la gâchette.

La gâchette doit être relâchée afin de rajuster l'outil avant d'enfoncer une autre attache.

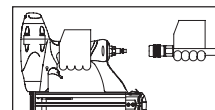
EMPLOI D'UN OUTIL À DÉCLENCHEMENT SÉQUENTIEL

⚠ ATTENTION *Vérifier le fonctionnement du mécanisme de déclenchement par contact (WCE) avant chaque usage. Le WCE doit fonctionner avec un mouvement libre, sans restrictions. Le ressort WCE doit se retourner au WCE à sa position complètement allongée après le surbaissément. Ne pas faire fonctionner l'outil si le mécanisme de déclenchement WCE ne fonctionne pas correctement. Ceci peut résulter en blessures personnelles.*

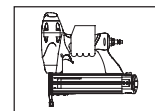
- Débrancher la source d'air de l'outil.
- Enlever toutes les attaches du chargeur (Voir Chargement-Déchargement)
- S'assurer que la gâchette et le mécanisme de déclenchement (WCE) fonctionnent avec un mouvement libre sans restrictions.



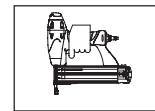
- Brancher à nouveau la source d'air à l'outil.



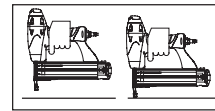
- Appuyer le mécanisme de déclenchement par contact (WCE) sur la surface de travail sans actionner la gâchette. L'outil **NE DOIT PAS FONCTIONNER**. Si l'éjection d'un attache se produit sans que l'on actionne la gâchette, ne pas utiliser cet appareil. Il y a risque de blessures.



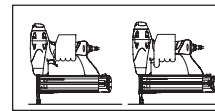
- Ôter l'outil de la surface de travail. Le mécanisme de déclenchement par contact (WCE) doit redescendre à sa position initiale. L'outil **NE DOIT PAS FONCTIONNER**. Si l'éjection d'une attache se produit lorsqu'on relève l'outil, ne pas utiliser celle-ci. Il y a risque de blessures.



- Actionner la gâchette. Appuyer le mécanisme de déclenchement par contact (WCE) sur la surface de travail. L'outil **NE DOIT PAS FONCTIONNER**.



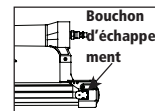
- Appuyer le mécanisme de déclenchement par contact (WCE) sur la surface de travail. Actionner la gâchette. L'outil **DOIT FONCTIONNER**.



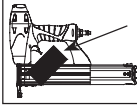
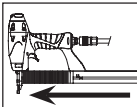
⚠ AVERTISSEMENT *Un outil qui ne fonctionne pas correctement ne doit pas être utilisé. Ne pas activer l'outil à moins qu'il soit placé bien fermement sur la pièce.*

CHARGEMENT/DÉCHARGEMENT DE L'OUTIL

- Toujours **brancher** l'outil à la source d'air avant le **chargement** des attaches.
- Soulever le loquet. Tirer sur le couvercle du chargeur.



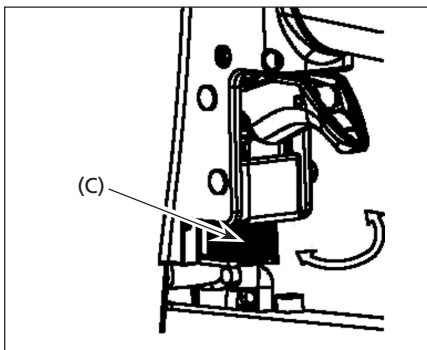
MODE D'EMPLOI (Suite)

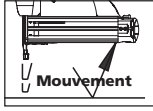
3. Introduire une rangée de clous (voir attaches) dans le chargeur. Les pointes des clous devraient reposer sur le rebord au fond du chargeur pendant le chargement. S'assurer que les clous ne sont pas sales ou endommagés. 
4. Pousser le couvercle du chargeur en avant jusqu'à ce que le loquet s'enclenche. 
5. Toujours retirer toutes les attaches du chargeur avant de ranger l'outil. L'opération de déchargement s'effectue à l'inverse de l'opération de chargement mais il faut toujours débrancher le tuyau d'air comprimé AVANT le déchargement.

RÉGLAGE DE PÉNÉTRATION DES ATTACHES

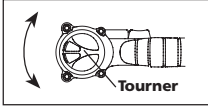
Le modèle SN328K00 est muni d'un réglage de pénétration des attaches. Ceci permet de déterminer à quelle profondeur les attaches doivent être enfoncés.

1. Régler la pression de fonctionnement de manière à ce que la force d'éjection des attaches soit constante. Ne pas dépasser la pression de fonctionnement maximum de 690 kPa.
2. Pour faire pénétrer une une attache moins profondément, tourner la roue (C) vers la droite jusqu'à la profondeur recherchée.
3. Pour enfoncer une une attache plus profondément, tourner la roue (C) vers la gauche jusqu'à la profondeur recherchée.

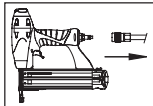
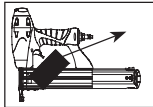
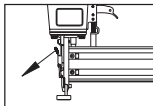
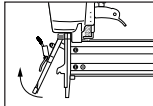
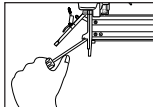
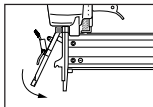



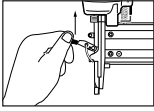
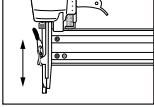
4. Après chaque réglage, s'assurer que le mouvement de la gâchette et du mécanisme de déclenchement par contact (WCE) puisse s'effectuer vers le haut ou vers le bas sans difficulté. 

AJUSTEMENT DE LA DIRECTION D'ÉCHAPPEMENT

Cet outil est équipé d'un déflecteur de sortie à direction ajustable. Ceci permet le changement de direction de l'échappement. Orienter le déflecteur à la position désirée. 

DÉBLOCAGE DE LA L'OUTIL

1. Débrancher la l'outil de la source d'air. 
2. Ôter tous les clous du chargeur (Voir "Chargement / Déchargement de la Cloueuse"). Manque de suivre ces directives peut résulter en l'expulsion des clous de l'avant de la cloueuse. 
3. Retirer le verrouillage en tirant vers le hors et le bas. Le verrou de fil se désengagera des crochets de la buse. 
4. La porte peut alors être relevée, laissant voir l'attache bloquée. 
5. Enlever l'attache grippée en utilisant des pinces ou un tournevis si nécessaire. 
6. Rabaisser la porte en position fermée. 
7. Étendre le verrou de fil et le placer sur les crochets de la buse. 

8. Fermer le verrou en le poussant vers le haut et jusqu'à ce qu'il s'enclenche en place. 
9. S'assurer que le mouvement de la gâchette et du mécanisme de déclenchement par contact (WCE) peut s'effectuer vers le haut ou vers le bas sans difficulté. 

INSTRUCTIONS DE MAINTENANCE DE L'UTILISATEUR

SUPPORT TECHNIQUE

Pour tout renseignement sur le fonctionnement ou la réparation de cet outil, veuillez utiliser notre numéro d'assistance 1-800-543-6400 ou pour obtenir d'autres copies de ce manuel.

ATTACHES ET PIÈCES DE RECHANGE

⚠ AVERTISSEMENT *N'utiliser que des attaches N° 18 de Campbell Hausfeld (ou un équivalent - Voir la note "Compatibilité avec d'autres appareils"). La performance de l'outil, sa sécurité et sa durabilité pourraient être réduites si l'on utilise les mauvaises attaches. Lors d'une commande de pièces de rechange ou d'attaches, préciser le numéro de pièce.*

ATTACHES ET RÉPARATION DE L'OUTIL

Seul un personnel qualifié doit réparer l'outil en utilisant seulement des accessoires et des pièces de rechange d'origine ou des pièces et accessoires qui fonctionnent de manière équivalente.

MÉTHODE D'ASSEMBLAGE POUR LES JOINTS D'ÉTANCHÉITÉ

Les pièces internes doivent être nettoyées et graissées pendant la réparation d'un outil. Utiliser le Parker O-lube ou l'équivalent sur tous les joints toriques. Chaque joint torique doit être enrobé avec du O-lube avant l'assemblage. Utiliser un peu d'huile sur toutes les surfaces mouvantes et pivots. Après le remontage, ajouter quelques gouttes d'huile sans détergent 30W ou l'équivalent à travers la canalisation d'air avant de faire l'essai.

RANGEMENT

L'agrafeuse doit être rangé dans un endroit frais et sec.

Attaches

Les attaches pour finition Campbell Hausfeld sont disponibles aux magasins dans votre quartier. Pour de l'assistance, composer le 1-800-543-6400. Les attaches Campbell Hausfeld sont conformes ou supérieurs à la norme ASTM F1667.

Modèle #	Longueur	Calibre de fil	Fini	Tête	Collation	Agrafes par Rangée	Agrafes par Boîte
FB001600	5/8 po	18	Galvanisé/Enduit de Vinyle	Étêtée/Brun	Adhésive	100	5000
FB002000	3/4 po	18	Galvanisé/Enduit de Vinyle	Étêtée/Brun	Adhésive	100	5000
FB002500	1 po	18	Galvanisé/Enduit de Vinyle	Étêtée/Brun	Adhésive	100	5000
FB003000	1-1/4 po	18	Galvanisé/Enduit de Vinyle	Étêtée/Brun	Adhésive	100	5000
FB180016	5/8 po	18	Galvanisé/Enduit de Vinyle	Étêtée/Brun	Adhésive	100	1000
FB180025	1 po	18	Galvanisé/Enduit de Vinyle	Étêtée/Brun	Adhésive	100	1000
FB180030	1-1/4 po	18	Galvanisé/Enduit de Vinyle	Étêtée/Brun	Adhésive	100	1000

Information D'Interchangeabilité

Peut utiliser les clous de finition conçus pour les cloueuses de finition suivantes: BT125SK-2 de Bostitch®, NB0030 de Campbell Hausfeld®, D51238K de DeWalt®, T125-F18 de Paslode®, BN125 de Porter Cable®, et Finish Pro 15 de Senco®.

Guide de Dépannage

⚠ AVERTISSEMENT Cessez l'utilisation de l'agrafeuse immédiatement en cas des problèmes suivants, car il y a risque de blessures graves. Toutes réparations doivent être effectuées par un Technicien Qualifié ou par un Centre De Service Autorisé.

Problème	Cause	Solution
Fuite d'air à l'endroit de la soupape de la gâchette	Joints torique endommagés dans le carter de la soupape de la gâchette	Remplacer les joints toriques et vérifier le fonctionnement du mécanisme de déclenchement par contact
Fuite d'air entre le carter et le nez	1. Joints torique endommagés 2. Amortisseur endommagé	1. Remplacer les joints torique 2. Remplacer l'amortisseur
Fuite d'air entre le carter et le capuchon	1. Vis desserrées. 2. Joint d'étanchéité endommagé	1. Serrer les vis 2. Remplacer le joint d'étanchéité
La cloueuse saute un clou pendant l'expulsion	1. Amortisseur usé 2. Saleté dans la pièce du nez 3. Saleté ou dommage qui empêche le fonctionnement libre des agrafes ou du poussoir dans le chargeur 4. Ressort de poussoir endommagé 5. Circulation d'air insuffisante à l'agrafeuse 6. Joint torique du piston usé ou manque de lubrification 7. Joint torique de la soupape de gâchette endommagé 8. Fuites d'air 9. Fuite du joint étanchéité du capuchon	1. Remplacer l'amortisseur 2. Nettoyer la rainure du chassoir 3. Nettoyer le chargeur 4. Remplacer le ressort 5. Inspecter le raccord, tuyau ou le compresseur 6. Remplacer les joints torique. Graisser 7. Remplacer les joints torique 8. Serrer les vis et raccords 9. Remplacer le joint d'étanchéité
L'agrafeuse fonctionne lentement ou a une perte de puissance	1. Graissage insuffisant de la cloueuse 2. Rupture du ressort du capuchon de cylindre 3. Orifice d'échappement du capuchon obstrué	1. Graisser la cloueuse 2. Remplacer le ressort 3. Remplacer les pièces internes endommagées
Blocage des agrafes	1. Guide du chassoir usé 2. Clous de mauvaise taille 3. Clous courbés 4. Vis du chargeur ou nez dégagés 5. Chassoir endommagé	1. Remplacer le guide 2. Utiliser les clous de taille recommandée 3. Remplacer les clous 4. Serrer les vis 5. Remplacer le chassoir

Garantie Limitée

1. DURÉE: À partir de la date d'achat par l'acheteur original comme suit - Produits À Service Standard (Standard Duty) - Un An, Produits À Service Sérieux (Serious Duty) - Deux Ans, Produits À Service Extrême (Extreme Duty) - Trois Ans.
2. GARANTIE ACCORDÉE PAR (GARANT): Campbell Hausfeld/Scott Fetzer Company, 100 Production Drive, Harrison, Ohio, 45030, Téléphone: (800) 543-6400
3. BÉNÉFICIAIRE DE CETTE GARANTIE (ACHETEUR): L'acheteur original (sauf en cas de revente) du produit Campbell Hausfeld.
4. PRODUITS COUVERTS PAR CETTE GARANTIE: Tous les outils de fixation (clouuses et agrafeuses), outils pneumatiques, pistolets vaporisateurs, gonfleurs ou accessoires pneumatiques Campbell Hausfeld qui sont fournis par ou fabriqués par le Garant.
5. COUVERTURE DE LA PRÉSENTE GARANTIE: Défauts de matière et de fabrication considérables qui se révèlent pendant la période de validité de la garantie.
6. LA PRÉSENTE GARANTIE NE COUVRE PAS:
 - A. Les garanties implicites, y compris celles de commercialisabilité et D'ADAPTION À UNE FONCTION PARTICULIÈRE SONT LIMITÉES À PARTIR DE LA DATE D'ACHAT INITIALE TELLE QU'INDIQUÉE DANS LA SECTION DURÉE. Si ce produit est utilisé pour une fonction commerciale, industrielle ou pour la location, la durée de la garantie sera quatre-vingt-dix (90) jours à compter de la date d'achat. Quelques Provinces (États) n'autorisent pas de limitations de durée pour les garanties implicites. Les limitations précédentes peuvent donc ne pas s'appliquer.
 - B. TOUT DOMMAGE, PERTE OU DÉPENSE FORTUIT OU INDIRECT POUVANT RÉSULTER DE TOUT DÉFAUT, PANNE OU MAUVAIS FONCTIONNEMENT DU PRODUIT CAMPBELL HAUSFELD. Quelques Provinces (États) n'autorisent pas l'exclusion ni la limitation des dommages fortuits ou indirects. La limitation ou exclusion précédente peut donc ne pas s'appliquer.
 - C. Toute panne résultant d'un accident, d'une utilisation abusive, de la négligence ou d'une utilisation ne respectant pas les instructions données dans le(s) manuel(s) accompagnant le produit. Un accident, l'utilisation abusive par l'acheteur, la négligence ou le manque de faire fonctionner les produits selon les instructions comprend aussi l'enlèvement ou la modification de n'importe quel appareil de sûreté. Si ces appareils de sûreté sont enlevés ou modifiés, la garantie sera annulée.
 - D. Réglages normaux qui sont expliqués dans le(s) manuel(s) d'utilisation accompagnant le produit.
 - E. Articles ou services qui sont exigés pour l'entretien du produit; Joints torique, ressorts, amortisseurs, écrans de débris, lames d'entraînement, fusibles, batteries, joints d'étanchéité, garnitures ou joints, buses de fluide, aiguilles, buses de sablage, graisses, tuyaux de matériaux, cartouches filtrantes, pales de moteur, abrasifs, lames, meules de coupe, burins, fixe-burins, coupeuses, douilles de serrage, mandrins. mâchoires de rivet, lames de tournevis, tampons de sablage, tampons de sauvegarde, mécanisme de percussion ou toute pièce qui n'est pas indispensable et qui n'est pas indiquée. Ces articles seront couverts pour quatre-vingt-dix (90) jours à partir de la date d'achat original. Les articles soulignés sont garanties pour défauts de matière et de fabrication seulement.
7. RESPONSABILITÉS DU GARANT AUX TERMES DE CETTE GARANTIE: Réparation ou remplacement, au choix du Garant, des produits ou pièces qui se sont révélés défectueux pendant la durée de validité de la garantie.
8. RESPONSABILITÉS DE L'ACHETEUR AUX TERMES DE CETTE GARANTIE:
 - A. Fournir une preuve d'achat datée et un état d'entretien.
 - B. Appelez Campbell Hausfeld (800) 543-6400 pour obtenir vos options de service sous garantie. Les frais de transport sont la responsabilité de l'acheteur.
 - C. Utilisation et entretien du produit avec un soin raisonnable, ainsi que le décrit le(s) manuel(s) d'utilisation.
9. RÉPARATION OU REMPLACEMENT EFFECTUÉ PAR LE GARANT AUX TERMES DE LA PRÉSENTE GARANTIE: La réparation ou le remplacement sera prévu et exécuté en fonction de la charge de travail dans le centre de service et dépendra de la disponibilité des pièces de rechange.

Cette Garantie Limitée s'applique aux É.-U., au Canada et au Mexique seulement et vous donne des droits juridiques précis. L'acheteur peut également jouir d'autres droits qui varient d'une Province, d'un État ou d'un Pays à l'autre.

Por favor lea y guarde estas instrucciones. Léalas cuidadosamente antes de tratar de montar, instalar, operar o dar mantenimiento al producto aquí descrito. Protéjase usted mismo y a los demás observando toda la información de seguridad. ¡El no cumplir con las instrucciones puede ocasionar daños, tanto personales como a la propiedad! Guarde estas instrucciones para referencia en el futuro.



Clavadora de clavos de 3,18 cm

Índice

Descripción21

Desempaque21

Medidas de Seguridad21

Instrucciones de Seguridad Importantes.21

Componentes y Especificaciones de la Herramienta22

Instrucciones de Funcionamiento . . .24

 Lubricación24

 Conexión Recomendada25

 Modo de Operación.25

 Modo de Secuencia Única25

 Cómo usar la Herramienta de Disparo Secuencial25

 Para Cargar y Descargar la Herramienta26

 Cómo Ajustar la Penetración del Sujetador26

 Para Ajustar la Dirección del Tubo de Escape26

 Qué Hacer Cuando la Herramienta Tenga un Sujetador Atascado26

Instrucciones de uso y Mantenimiento27

Sujetadores28

Información de Intercambio28

Guía de Diagnóstico de Averías29

Garantía Limitada30

Desempaque

Al desempacar este producto, revíselo con cuidado para cerciorarse de que esté en perfecto estado. Cericíórese de apretar todas las conexiones, pernos, etc. antes de comenzar a utilizar la unidad.

Medidas de Seguridad

Este manual contiene información que es muy importante que sepa y comprenda. Esta información se la suministramos como medida de SEGURIDAD y para EVITAR PROBLEMAS CON EL EQUIPO. Debe reconocer los siguientes símbolos.

⚠ PELIGRO Esto le indica que hay una situación inmediata que LE OCASIONARIA la muerte o heridas de gravedad.

⚠ ADVERTENCIA Esto le indica que hay una situación que PODRIA ocasionarle la muerte o heridas de gravedad.

⚠ PRECAUCION Esto le indica que hay una situación que PODRIA ocasionarle heridas no muy graves.

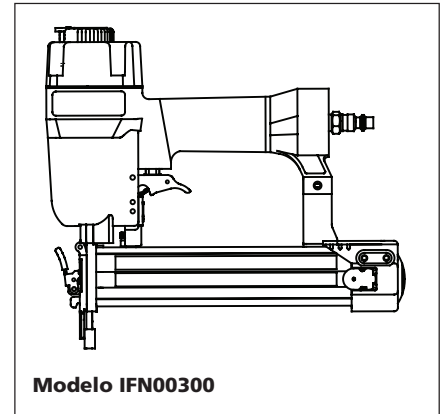
⚠ AVISO Esto le indica una información importante, que de no seguirla, le podría ocasionar daños al equipo.

NOTA: Información que requiere atención especial.

Instrucciones de Seguridad Importantes

INSTRUCCIONES EN REFERENCIA AL PELIGRO DE INCENDIOS, CHOQUE ELÉCTRICO O LESIONES PERSONALES

⚠ ADVERTENCIA Cuando se usen herramientas, siempre se deberán seguir precauciones básicas, incluyendo las siguientes:



Modelo IFN00300

Localice el modelo y el código de fecha en la herramienta y regístrelo debajo:

Modelo: _____

Código de fecha _____

Guarde estos números para referencia futura.

PROPOSICIÓN 65 DE CALIFORNIA

⚠ ADVERTENCIA Este producto, o su cordón eléctrico, puede contener productos químicos conocidos por el estado de California como causantes de cáncer y defectos de nacimiento u otros daños reproductivos. Lave sus manos después de usar.

⚠ ADVERTENCIA Cuando corta


lija, taladra o pule materiales como por ejemplo madera, pintura, metal, hormigón, cemento, u otro tipo de mampostería se puede producir polvo. Con frecuencia este polvo contiene productos químicos que se conocen como causantes de cáncer, defectos congénitos u otros daños reproductivos. Use equipo de protección.



RECORDATORIO: ¡Guarde su comprobante de compra con fecha para fines de la garantía! Adjúntela a este manual o archívela en lugar seguro.


Instrucciones de Seguridad Importantes (Continúa)

GENERAL

- a. Para reducir el riesgo de choque eléctrico, incendio y lesiones personales, lea todas las instrucciones antes de usar la herramienta. 
- b. Familiarícese con los controles y el uso adecuado del equipo. Siga todas las instrucciones. Póngase en contacto con su representante Campbell Hausfeld si tiene alguna pregunta.
- c. Sólo se les debe permitir usar esta unidad a aquellas personas bien familiarizadas con estas reglas de manejo seguro.


▲ PELIGRO Lea y comprenda las etiquetas y el manual de la herramienta. Si no respeta las advertencias, los riesgos y las recomendaciones, eso podría resultar en la MUERTE o en LESIONES GRAVES.

ÁREA DE TRABAJO

- a. Mantenga el área de trabajo limpia y bien iluminada. Los bancos desordenados y las áreas oscuras aumentan el riesgo de choque eléctrico, incendio y lesiones personales.
- b. No haga funcionar la herramienta en entornos explosivos, como por ejemplo cuando haya 

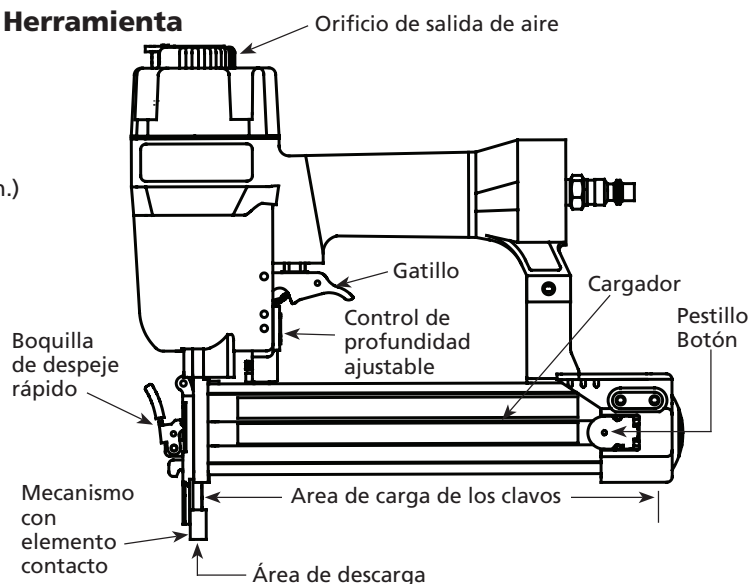
- polvo, líquidos o gases inflamables. La herramienta puede crear chispas y provocar la ignición de polvo o vapores.
- c. Mantenga alejados a los observadores, niños y visitantes mientras hace funcionar la herramienta. Las distracciones pueden dar como resultado la pérdida del control de la herramienta.

SEGURIDAD PERSONAL

- a. Manténgase alerta. Mire lo que está haciendo y use el sentido común cuando haga funcionar la herramienta. No use la herramienta si está cansado o bajo la influencia de drogas, alcohol o medicamentos. Un momento de desatención mientras hace funcionar la herramienta aumenta el riesgo de lesiones personales.
- b. Vístase adecuadamente. No use alhajas ni vestimenta suelta. Sujétese el cabello largo. Mantenga el cabello, vestimenta y guantes alejados de las piezas móviles. La vestimenta suelta, las alhajas o el cabello largo aumentan el riesgo de lesiones personales como resultado de quedar atrapados en las piezas móviles.
- c. Evite que se encienda accidentalmente. Asegúrese de que el interruptor esté en la posición de apagado antes de conectar el suministro de aire.
- d. No lleve la herramienta con su dedo sobre el interruptor ni conecte la herramienta al suministro de aire con el interruptor en la posición de encendido.
- e. Use equipo de seguridad. Se debe usar una máscara para polvo, calzado de seguridad antideslizante y casco para las condiciones que se apliquen.
- f. Siempre use protección para los ojos. 
- g. Use siempre una protección para el oído cuando use la herramienta. La exposición prolongada a ruido de alta intensidad puede causar pérdida de audición.
- h. No ate la manguera ni la herramienta a su cuerpo. Adjunte la manguera a la estructura para reducir el riesgo de pérdida de equilibrio si la manguera se cambia de posición.
- i. Siempre asuma que la herramienta contiene clavos. No apunte con la herramienta hacia usted o hacia otra persona, ya sea que contenga clavos o no.

Componentes y Especificaciones de la Herramienta

- **REQUIERE:** 0,02 m³/min para clavar 10 sujetadores por minuto a 6,21 bar
- **ENTRADA DE AIRE:** 6,4mm (1/4 in.) NPT
- **RANGO DE LOS SUJETADORES:** 9,53 mm (3/8 in.) a 31,8 mm (1-1/4 in.)
- **CAPACIDAD DEL CARGADOR:** 100 Sujetadores por carga, calibre 18
- **PESO:** 1,24 kg
- **LONG.:** 27,3 cm
- **ALT.:** 22,9 cm
- **PRESION MAX.:** 6,90 bar
- **RANGO DE PRESIÓN:** 4,14 bar - 6,90 bar



Instrucciones de Seguridad Importantes (Continúa)

- j. **⚠ ADVERTENCIA** *No clave ningún clavo encima de otro clavo. Esto puede hacer que el clavo se desvíe y golpee a alguien, o provocar que la herramienta reaccione y cause el riesgo de lesiones personales.*
- k. **⚠ ADVERTENCIA** *Quite el dedo del gatillo cuando no esté clavando clavos. Nunca lleve la herramienta con su dedo en el gatillo: la herramienta puede disparar un clavo.*

⚠ PELIGRO *Siempre colóquese firme y balanceada para usar o manipular la herramienta.*

⚠ PRECAUCION *Evite trabajar con esta herramienta por largos periodos. Deje de usar la herramienta si siente dolor en las manos o en los brazos.*

USO Y CUIDADO DE LA HERRAMIENTA

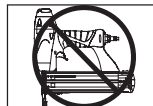
- a. Use sujetadores u otra manera práctica de asegurar y apoyar la pieza de trabajo a una plataforma estable. Sostener el trabajo con la mano o contra el cuerpo es algo inestable y puede producir la pérdida de control.
- b. **No fuerce la herramienta.** Use la herramienta correcta para la aplicación. La herramienta correcta hará el trabajo mejor y en forma más segura a la velocidad para la cual fue diseñada.
- c. **No use la herramienta si el interruptor no la enciende o no la apaga.** Cualquier herramienta que no pueda ser controlada con el interruptor es peligrosa y debe repararse.
- d. **Desconecte la herramienta de la fuente de aire antes de hacer cualquier ajuste, cambiar accesorios o guardar la herramienta.** Dichas medidas de seguridad preventivas reducen el riesgo de que la herramienta se active por accidente.
- e. **Cuando no esté en uso, guarde la herramienta fuera del alcance de los niños y otras personas no capacitadas.** Una herramienta es peligrosa cuando está en manos de usuarios inexpertos.
- f. **Cuide su herramienta.** Mantenga una herramienta para cortar afilada y limpia. Una herramienta mantenida adecuadamente con bordes de corte afilados reduce el riesgo de atascarse y es más fácil de controlar.

- g. Verifique que las piezas móviles no estén desalineadas ni adheridas, que no haya piezas rotas y que no exista ningún otro problema que afecten el funcionamiento de la herramienta. Si está dañada, haga que le realicen un servicio a la herramienta antes de usarla. Muchos accidentes son causados por herramientas que no tienen un mantenimiento adecuado. Si la herramienta sufre un daño, hay riesgo de explosión.
- h. Use únicamente los accesorios que están identificados por el fabricante para el modelo de herramienta específico. El uso de un accesorio no diseñado para usarse con el modelo de herramienta específico aumenta el riesgo de lesiones personales.
- i. Seleccionar un sistema de activación de la herramienta adecuado, tomando en cuenta la aplicación de trabajo para la cual se usa la herramienta.

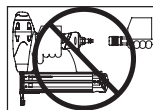
⚠ PELIGRO *Nunca limpie la herramienta con gasolina o ningún otro líquido inflamable. Nunca use la herramienta en la cercanías de líquidos o gases inflamables. Una chispa podría encender los vapores y ocasionar una explosión que podría ocasionarle la muerte o heridas graves.*



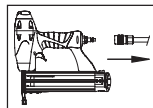
⚠ PELIGRO *No quite, modifique ni haga de otro modo que el WCE (elemento de contacto de trabajo) o el gatillo dejen de funcionar. No haga funcionar ninguna herramienta que haya sido modificada de manera similar. Eso puede resultar en muerte o graves lesiones personales.*



⚠ PELIGRO *No toque el gatillo a menos que se estén clavando sujetadores. Nunca haga arrancar la línea de aire con una herramienta ni mueva la herramienta cuando esté tocando el gatillo. La herramienta podría expulsar un sujetador y producir la muerte o lesiones personales graves.*

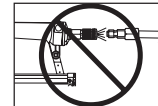


⚠ ADVERTENCIA *Desconecte siempre la herramienta de la fuente de energía cuando no la esté atendiendo, cuando le esté realizando mantenimiento o reparaciones, desobstruyéndola o moviéndola a un nuevo sitio.*



Siempre vuelva a conectar la tubería de aire ANTES de cargar los sujetadores. No cargue la herramienta con sujetadores cuando el gatillo esté oprimido o el WCE (elemento de contacto de trabajo) esté conectado. La herramienta puede expulsar un sujetador y producir la muerte o lesiones personales graves.

⚠ ADVERTENCIA



Siempre ajuste la herramienta con un conector o acoplador de mangueras colocado en o cerca de la herramienta de un modo tal que se descargue todo el aire comprimido en la herramienta en el momento en que se desconecte el conector o acoplador. No use una válvula de chequeo o ninguna conexión que permita que el aire permanezca en la herramienta. Se puede producir la muerte o lesiones personales graves.

⚠ ADVERTENCIA



Nunca ponga las manos ni ninguna otra parte del cuerpo en el área de descarga de la herramienta. Ésta puede expulsar un sujetador y producir la muerte o lesiones personales graves.

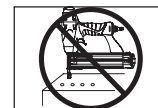
⚠ ADVERTENCIA



Nunca cargue la herramienta por la manguera de aire ni hale la manguera para mover la herramienta o el compresor de aire. Mantenga las mangueras alejadas del calor, aceite y objetos puntiagudos. Reemplace cualquier manguera que esté dañada, débil o desgastada. Ésto podría ocasionar heridas o daños a la herramienta

⚠ ADVERTENCIA *Siempre asuma que la herramienta tiene sujetadores. Respete la herramienta como un implemento de trabajo; no juegue con ella. Siempre mantenga a los demás a una distancia segura del área de trabajo, en caso de una descarga accidental de sujetadores. No apunte con la herramienta hacia usted o hacia otra persona, ya sea que contenga o no sujetadores. El disparo accidental de la herramienta podría resultar en la muerte o en graves lesiones personales.*

⚠ ADVERTENCIA



No clave un sujetador encima de otro. El sujetador podría saltar y ocasionarle la muerte o heridas graves.

Instrucciones de seguridad importantes (Continúa)

⚠️ ADVERTENCIA

No opere la herramienta ni permita que otros la operen si las etiquetas de advertencia están ilegibles. Éstas se encuentran en el cargador o el cuerpo de la herramienta.



⚠️ ADVERTENCIA

No deje que la herramienta se caiga ni la tire. Esto podría dañarla o convertirla en algo peligroso de usar. En caso de que la herramienta se haya caído o la hayan tirado, revísela con cuidado a ver si está doblada o rota, si tiene alguna pieza dañada o tiene fugas de aire. **DEJE** de trabajar y repárela antes de usarla o podría ocasionarle heridas graves.

⚠️ PRECAUCION

Siempre revise que el Elemento de Contacto de Trabajo esté funcionando correctamente. Puede que se clave un sujetador por accidente si el Elemento de Contacto de Trabajo no está funcionando correctamente. Se pueden producir lesiones personales (vea la sección "Cómo Revisar el Elemento de Contacto de Trabajo").

AVISO

Evite usar la herramienta cuando el depósito está vacío. Esto podría acelerar su desgaste.

AVISO

Limpie y chequee todas las mangueras de suministro de aire y conexiones antes de conectar la herramienta al compresor. Reemplace las mangueras y conexiones que estén dañadas o desgastadas. El rendimiento de la herramienta o su durabilidad podrían reducirse.

SERVICIO

- El servicio de la herramienta debe ser realizado sólo por personal de reparaciones calificado.

- Al realizarle un servicio a la herramienta, utilice únicamente piezas de repuesto idénticas. Use sólo piezas autorizadas.
- Use sólo los lubricantes que el fabricante proporciona con la herramienta.

⚠️ PRECAUCION

No haga ninguna modificación a la herramienta sin obtener primero la aprobación por escrito de Campbell Hausfeld. No use la herramienta si le faltan alguna de las tapas protectoras o si éstas han sido modificadas. No use la herramienta como un martillo. Se pueden producir lesiones personales o daños a la herramienta.

⚠️ PRECAUCION

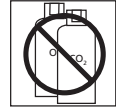
Desconecte la fuente de suministro de aire y elimine la tensión del disparador antes de tratar de sacar cualquier sujetador atascado, ya que la herramienta podría disparar un sujetador por el frente. Esto podría ocasionarle heridas.

SUMINISTRO DE AIRE

- Nunca conecte a un suministro de aire capaz de exceder las 200 psi. Someter la herramienta a presión excesiva puede resultar en una explosión, funcionamiento anormal, daños a la herramienta o graves lesiones personales. Use sólo aire comprimido limpio, seco y regulado a la presión de funcionamiento o dentro del rango de presiones indicado en la herramienta. Antes de usar la herramienta, verifique siempre que el suministro de aire haya sido regulado a la presión de funcionamiento o esté dentro del rango de presiones indicadas.
- No use nunca oxígeno, dióxido de carbono, gases combustibles o ningún gas en botellas como suministro de aire para la herramienta. Tales gases pueden explotar y causar graves lesiones personales.

⚠️ PELIGRO

No use ningún tipo de gas reactivo, incluyendo, pero no limitado a, oxígeno y gases combustibles, como fuente de energía. Use sólo aire comprimido filtrado, lubricado y regulado. El uso de un gas reactivo en vez de aire comprimido puede provocar que la herramienta explote, lo cual puede ocasionar la muerte o graves lesiones personales.



⚠️ PELIGRO

Use solamente una fuente de aire comprimido de presión regulada para limitar la presión de aire suministrada a la herramienta. La presión regulada no debe exceder los 6,90 bar. Si el regulador falla, la presión transmitida a la herramienta no debe exceder los 13,79 bar. La herramienta puede explotar, lo cual puede ocasionar la muerte o graves lesiones personales.



GUARDE ESTAS INSTRUCCIONES – NO LAS DESECHE

INSTRUCCIONES DE FUNCIONAMIENTO

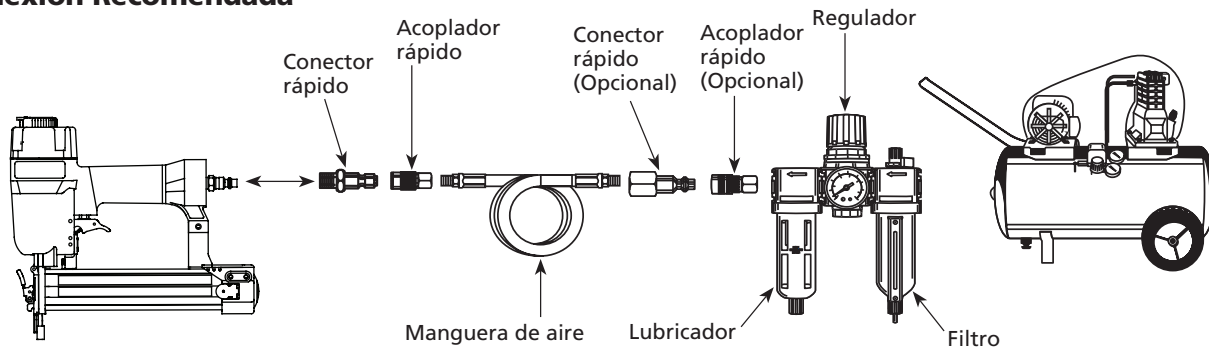
LUBRICACION

Esta herramienta requiere lubricación antes de usarse por primera vez y antes de cada uso. Si utiliza un lubricador incorporado a la línea, **no tendrá** que lubricarla manualmente a diario.

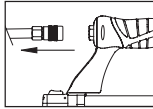
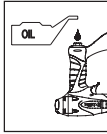
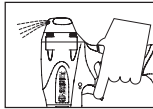
AVISO

La superficie de trabajo se podría dañar debido a la lubricación excesiva. La lubricación adecuada es la responsabilidad del propietario. Si no lubrica la herramienta adecuadamente, ésta se dañará rápidamente y la garantía se cancelará.

Conexión Recomendada


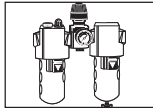


INSTRUCCIONES DE FUNCIONAMIENTO (Continúa)

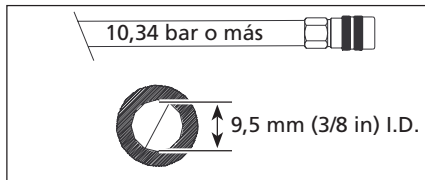
- Desconecte la herramienta de la fuente de suministro de aire para lubricarla. 
- Gire la herramienta de modo que la entrada de aire quede mirando hacia arriba. Agregue de 4 a 5 gotas de aceite no detergente 30W en la entrada de aire. No use aceites detergentes, aditivos de aceite, ni aceites para herramientas neumáticas. Los aceites para herramientas neumáticas contienen solventes que pueden averiar los componentes internos de la herramienta. 
- Después de agregar aceite, haga funcionar la herramienta brevemente. Limpie todo exceso de aceite que salga del escape de la tapa. 

CONEXION RECOMENDADA

La ilustración de abajo le muestra la conexión recomendada para la herramienta.

- El compresor de aire debe tener la capacidad de suministrar un mínimo de 4,14 bar cuando la herramienta esté en uso. Si el suministro de aire es inadecuado podría haber pérdida de potencia y falta de consistencia en el funcionamiento. 
- Puede utilizar un lubricador para lubricar la herramienta. Igualmente, puede utilizar un filtro para remover las impurezas líquidas y sólidas que podrían oxidar u obstruir las partes internas de la herramienta. 
- Use siempre mangueras de suministro de aire, con una presión mínima de funcionamiento con clasificación igual o mayor que la presión de la fuente de energía

si falla un regulador, o 10,34 bar, lo que sea mayor. Use mangueras de aire de 9,5 mm (3/8 inch) para distancias de hasta 15 m (50') ó más. Para un mejor rendimiento, instálele a la herramienta un conector rápido de 9,5mm (3/8 inch) (con roscas de 6,4mm (1/4 inch) NPT cuyo diámetro interno sea de 8mm (0,315 inch) y un acoplador rápido de 9,5mm (3/8 inch) a la manguera de aire.



- Use un regulador de presión (de 0 bar - 8,62 bar) en el compresor. Se necesita un regulador de presión para controlar la presión de operación de la herramienta entre 4,14 bar y 7,58 bar.

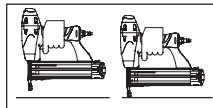
MODO DE OPERACIÓN

▲ ADVERTENCIA Siempre cerciórese de saber en qué modo va a operar la herramienta antes de comenzar a usarla. De lo contrario, le podría ocasionar la muerte o heridas graves.

ESTA HERRAMIENTA SE VENDE CON UN GATILLO NEGRO DE UNA SOLA SECUENCIA. ESTA HERRAMIENTA NO ESTÁ DISEÑADA PARA USO CON GATILLO EN MODO DE GOLPEAR.

MODO DE SECUENCIA ÚNICA

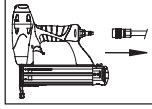
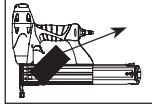
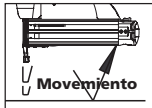
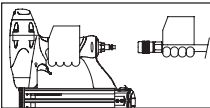
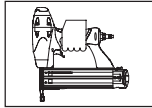
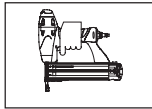
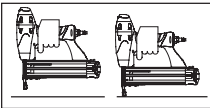
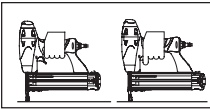
Este sistema requiere que oprima el gatillo cada vez que vaya a clavar un sujetador. Para clavar, el elemento de contacto debe tocar la superficie de trabajo y el operador debe oprimir el gatillo. Debe soltar el gatillo antes de clavar otro sujetador.



CÓMO USAR LA HERRAMIENTA DE DISPARO SECUENCIAL

▲ PRECAUCION Chequee el funcionamiento del mecanismo del elemento de contacto antes de cada uso. El elemento de contacto se debe desplazar libremente, sin pegarse, a lo largo del área de desplazamiento. El resorte del elemento de contacto debe regresar el elemento de contacto a su posición original totalmente extendido.

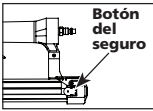
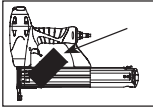
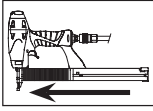
No use la herramienta si el mecanismo del elemento de contacto no está funcionando adecuadamente. Podría ocasionarle heridas.

- Desconecte la herramienta de la fuente de suministro de aire. 
- Saque todos los sujetadores del cargador (Vea la Sección Carga-Descarga). 
- Cerciórese de que el gatillo y el elemento de contacto se muevan libremente en ambos sentidos sin atascarse o pegarse. 
- Reconecte la herramienta a la fuente de suministro de aire. 
- Presione el Elemento de Contacto de Trabajo contra la superficie de trabajo sin apretar el gatillo. La herramienta **NO DEBE OPERAR**. No use la herramienta si opera sin apretar el gatillo. Se pueden producir lesiones personales. 
- Remueva la herramienta de la superficie de trabajo. El Elemento de Contacto de Trabajo tiene que volver a su posición original. La herramienta **NO DEBE OPERAR**. No use la herramienta si opera mientras está levantada de la superficie de trabajo. 
- Apriete el gatillo y presione el Elemento de Contacto de Trabajo contra la superficie de trabajo. La herramienta **NO DEBE** hacerse funcionar. 
- Presione el Elemento de Contacto de Trabajo contra la superficie de trabajo. Apriete el gatillo. La herramienta **DEBE OPERAR**. 

INSTRUCCIONES DE FUNCIONAMIENTO (Continúa)

⚠ ADVERTENCIA *Una herramienta que funciona de manera inadecuada no debe usarse. No active la herramienta a menos que esté colocada firmemente contra la pieza de trabajo.*

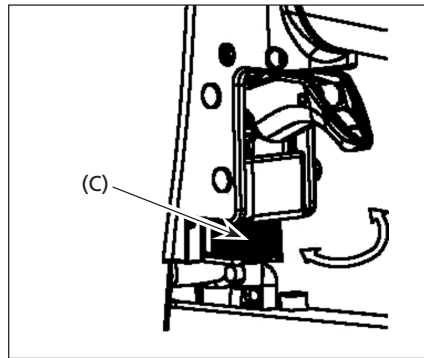
PARA CARGAR Y DESCARGAR LA HERRAMIENTA

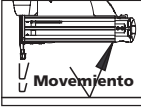
1. Siempre **conecte** la herramienta a la fuente de suministro de aire **antes** de colocar los sujetadores.
2. Empuje hacia abajo sobre el botón del seguro. Mueva la tapa del cargador hacia atrás. 
3. Cargue una tira de sujetadores con las coronas montadas sobre el carril del cargador. 
4. Empuje la tapa del cargador hacia delante hasta que el botón del seguro salte hacia arriba. 
5. Siempre descargue el sujetador antes de remover la herramienta de servicio. La descarga se hace siguiendo el proceso inverso de la carga; sin embargo, siempre se tiene que desconectar la manguera de aire antes de descargarla.

CÓMO AJUSTAR LA PENETRACIÓN DEL SUJETADOR

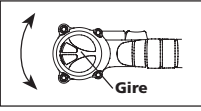
La SN328K00 viene equipada con un mecanismo clavador de profundidad ajustable. Esto le permite al usuario determinar a qué profundidad se va a clavar en la superficie de trabajo.

1. Ajuste la presión de operación a aquella que usará con regularidad para clavar los sujetadores. No exceda la presión de 6,90 bar.
2. Para dirigir el calador de sujetadores, gire la rueda (C) hacia la derecha hasta el punto deseado.
3. Para clavar el sujetador más profundo, gire la rueda (C) hacia la izquierda hasta el punto deseado.

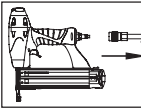
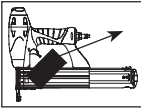
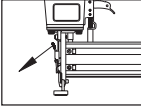
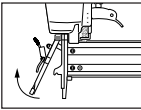


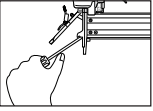
4. Asegúrese que el gatillo y el Elemento de Contacto de Trabajo se mueven libremente hacia arriba y hacia abajo sin atascarse o pegarse después de cada ajuste. 

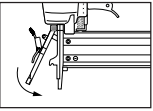
PARA AJUSTAR LA DIRECCION DEL TUBO DE ESCAPE

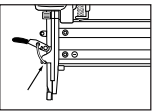
La herramienta está equipada con un deflector ajustable de la dirección del tubo de escape. Éste le permite al usuario cambiar la dirección del tubo de escape. Simplemente mueva el deflector hacia la dirección deseada. 

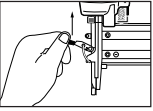
QUÉ HACER CUANDO LA HERRAMIENTA TENGA UN SUJETADOR ATASCADO

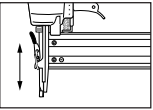
1. Desconecte la herramienta de la fuente de suministro de aire. 
2. Retire todos los clavos del depósito (vea "Carga / Descarga de la Clavadora"). El no hacerlo hará que los clavos se descarguen por el frente de la clavadora. 
3. Destrahe el seguro halando hacia afuera y abajo. El seguro de alambre se destraba de los ganchos de la boquilla. 
4. Ahora se puede girar la puerta, dejando al descubierto el sujetador que esté trabado. 

5. Retire todos los sujetadores que estén trabados, utilizando unas pinzas o un destornillador si fuera necesario. 

6. Vuelva a girar la puerta a su posición de cerrado. 

7. Extienda el seguro de alambre y colóquelo sobre los ganchos de la boquilla. 

8. Cierre el seguro empujándolo hacia arriba y adentro hasta que quede a presión en su lugar. 

9. Asegúrese de que el gatillo y el elemento de contacto de trabajo (WCE) se muevan libremente hacia arriba y hacia abajo sin adherirse ni trabarse. 

INSTRUCCIONES DE USO Y MANTENIMIENTO

ASSISTÊNCIA TÉCNICA

Para mayor información en relación al funcionamiento o reparación de este producto, comuníquese con el concesionario de Campbell Hausfeld más cercano a su domicilio.

SUJETADORES Y REPUESTOS

▲ ADVERTENCIA *Use solamente sujetadores Campbell Hausfeld originales calibre 18 (o su equivalente) - (vea la información sobre intercambio de sujetadores). El desempeño de las herramientas, la seguridad y la duración pueden disminuir si no se utilizan los sujetadores adecuados. Cuando ordene piezas de repuesto o sujetadores, especifique el número de la pieza.*

PARA REPARAR LA HERRAMIENTA

La herramienta deberá ser reparada únicamente por personal calificado, y deberán usar piezas de repuesto y accesorios originales Campbell Hausfeld, o piezas y accesorios que funcionen de manera equivalente.

PARA COLOCARLE LOS SELLOS

Cada vez que repare una herramienta deberá limpiarle y lubricarle las partes internas. Le recomendamos que use Parker O-lube o un lubricante equivalente en todos los anillos en O. A cada anillo en O se le debe dar un baño de lubricante para anillos antes de instalarlos. Igualmente, deberá ponerle un poco de aceite a todas las piezas que se mueven y muñones. Finalmente, después de haberla ensamblado y antes de probar la herramienta deberá ponerle unas cuantas gotas de aceite sin detergente 30W u otro aceite similar, en las líneas de aire.

Almacenaje

La agrapadora debe guardarse en un lugar fresco y seco.

Notas

Sujetadores

Estos sujetadores para acabado de Campbell Hausfeld los puede comprar en su tienda más cercana. Si necesita ayuda para encontrar un artículo, comuníquese al 1-800-543-6400. Los sujetadores de Campbell Hausfeld cumplen o exceden el estándar ASTM F1667

Modelo #	Long.	Calibre de la grapa	Acabado	Cabeza	Fusión de la línea	Grapas por línea	Grapas por caja
FB001600	15,9 mm (5/8 inch)	Calibre 18	Galvanizado/ Cubierta por vinilo	De puntilla/Café	Adhesivo	100	5000
FB002000	19,1 mm (3/4 inch)	Calibre 18	Galvanizado/ Cubierta por vinilo	De puntilla/Café	Adhesivo	100	5000
FB002500	25,4 mm (1 inch)	Calibre 18	Galvanizado/ Cubierta por vinilo	De puntilla/Café	Adhesivo	100	5000
FB003000	31,8mm (1-1/4 inch)	Calibre 18	Galvanizado/ Cubierta por vinilo	De puntilla/Café	Adhesivo	100	5000
FB180016	15,9 mm (5/8 inch)	Calibre 18	Galvanizado/ Cubierta por vinilo	De puntilla/Café	Adhesivo	100	1000
FB180025	25,4 mm (1 inch)	Calibre 18	Galvanizado/ Cubierta por vinilo	De puntilla/Café	Adhesivo	100	1000
FB180030	31,8mm (1-1/4 inch)	Calibre 18	Galvanizado/ Cubierta por vinilo	De puntilla/Café	Adhesivo	100	1000

Información de Intercambio

Puede usar clavos de las siguientes marcas de clavadoras para acabado neumáticas: Bostitch® BT125SK-2, Campbell Hausfeld® NB0030, DeWalt® D51238K, Paslode® T125-F18, Porter Cable® BN125, y Senco Finish Pro® 15.

Guía de Diagnóstico de Averías

⚠ ADVERTENCIA *Deje de usar la grapadora inmediatamente si alguno de los siguientes problemas ocurre. Podría ocasionarle heridas graves. Cualquier reparación o reemplazo de piezas los debe hacer un técnico calificado personal de un centro autorizado de servicio.*

Problema	Causa	Solución
Hay una fuga de aire en el área de la válvula del gatillo.	Los anillos en O de la cubierta de la válvula del gatillo están dañados.	Debe reemplazar los anillos en O & chequear el funcionamiento del elemento de funcionamiento al contacto.
Hay una fuga de aire entre la cubierta y la boquilla.	<ol style="list-style-type: none"> 1. Los anillos en O están dañados. 2. La defensa está dañada. 	<ol style="list-style-type: none"> 1. Debe reemplazar los anillos en O. 2. Debe reemplazar la defensa.
Hay una fuga de aire entre la cubierta y la tapa.	<ol style="list-style-type: none"> 1. Los tornillos están flojos. 2. El empaque está dañado. 	<ol style="list-style-type: none"> 1. Debe apretar los tornillos. 2. Debe reemplazar el empaque.
La clavadora deja de clavar un clavo.	<ol style="list-style-type: none"> 1. La defensa está desgastada. 2. La boquilla está sucia. 3. La suciedad o daños evitan el desplazamiento libre de las grapas o el mecanismo de impulso en el cargador. 4. El resorte del mecanismo de impulso está dañado. 5. El flujo de aire hacia la grapadora es inadecuado. 6. El anillo en O del pistón está desgastado o le falta lubricación. 7. Los anillos en O de la válvula del gatillo están dañados. 8. Hay fugas de aire. 9. Hay una fuga en el empaque de la tapa. 	<ol style="list-style-type: none"> 1. Debe reemplazar la defensa. 2. Debe limpiar el canal del sistema de impulso. 3. Debe limpiar el cargador. 4. Debe reemplazar el resorte. 5. Chequee las conexiones, la manguera o el compresor. 6. Debe reemplazar los anillos en O. Lubríquelos. 7. Debe reemplazar los anillos en O. 8. Debe apretar los tornillos y las conexiones. 9. Reemplace gasket
La grapadora funciona lentamente o pierde su potencia.	<ol style="list-style-type: none"> 1. La clavadora no está bien lubricada 2. El resorte de la tapa del cilindro está roto 3. El orificio de salida de la tapa está obstruido. 	<ol style="list-style-type: none"> 1. Necesita lubricar la clavadora 2. Reemplace el resorte 3. Debe reemplazar las partes internas dañadas.
Hay grapas atascadas en la grapadora.	<ol style="list-style-type: none"> 1. La guía del mecanismo de impulso está desgastada 2. Los clavos no son del tamaño adecuado. 3. Los clavos están doblados. 4. Los tornillos del cargador o de la boquilla están flojos. 5. El mecanismo de impulso está dañado. 	<ol style="list-style-type: none"> 1. Debe reemplazar la guía 2. Debe usar los clavos recomendados para esta clavadora. 3. Reemplácelos con clavos en buenas condiciones. 4. Debe apretar los tornillos. 5. Debe reemplazar el mecanismo de impulso de grapas.

Garantía Limitada

1. DURACION: A partir de la fecha de compra por el comprador original tal como se especifica a continuación: Productos Estándard (Standard Duty) - Un año, Productos Resistentes (Serious Duty) - Dos años, Productos Robustos (Extreme Duty) - Tres años.
2. QUIEN OTORGA ESTA GARANTIA (EL GARANTE: Campbell Hausfeld / The Scott Fetzer Company 100 Production Drive, Harrison, Ohio 45030 Teléfono: (800) 543-6400
3. QUIEN RECIBE ESTA GARANTIA (EL COMPRADOR): El comprador original (que no sea un revendedor) del producto Campbell Hausfeld.
4. PRODUCTOS CUBIERTOS POR ESTA GARANTIA: Cualquier clavadora, grapadora, herramienta neumática, pistola pulverizadora, inflador o accesorio neumático suministrado o fabricado por el Garante.
5. COBERTURA DE LA GARANTIA: Los defectos substanciales de material y fabricación que ocurran dentro del período de validez de la garantía.
6. LO QUE NO ESTA CUBIERTO POR ESTA GARANTIA:
 - A. Las garantías implícitas, incluyendo aquellas de comercialidad E IDONEIDAD PARA FINES PARTICULARES, ESTAN LIMITADOS A LO ESPECIFICADO EN EL PARRAFO DE DURACION. Si este producto es empleado para uso comercial, industrial o para renta, la garantía será aplicable por noventa (90) días a partir de la fecha de compra. En algunos estados no se permiten limitaciones a la duración de las garantías implícitas, por lo tanto, en tales casos esta limitación no es aplicable.
 - B. CUALQUIER PERDIDA DAÑO INCIDENTAL, INDIRECTO O CONSECUENTE QUE PUEDA RESULTAR DE UN DEFECTO, FALLA O MALFUNCIONAMIENTO DEL PRODUCTO CAMPBELL HAUSFELD. En algunos estados no se permite la exclusión o limitación de daños incidentales o consecuentes, por lo tanto, en tales casos esta limitación o exclusión no es aplicable
 - C. Cualquier falla que resulte de un accidente, abuso, negligencia o incumplimiento de las instrucciones de funcionamiento y uso indicadas en el (los) manual(es) que se adjunta(n) al producto. Dichos accidentes, abusos por parte del comprador, o falta de operar el producto siguiendo las instrucciones del manual de instrucciones suministrado también debe incluir la desconexión o modificación de los instrumentos de seguridad. Si dichos instrumentos de seguridad son desconectados, la garantía quedaría cancelada.
 - D. Los ajustes normales explicados en el(los) manual(es) suministrado(s) con el producto.
 - E. Artículos o servicios normalmente requeridos para el mantenimiento del producto, tales como: anillos en O, resortes, amortiguadores, defensas, hojas de impulsor, fusibles, baterías, empaques, almohadillas o sellos, boquillas de fluido, agujas, boquillas para rociar arena, lubricantes, mangueras de material, elementos filtrantes, álabes de motores, abrasivos, hojillas, discos para cortar, cinceles, retenes para cinceles, cortadores, collarines, mandriles, mordazas para remachadoras, brocas para desarmadores, almohadillas para lijar, soportes de almohadillas, mecanismo de impacto o cualquier otro artículo desgastable que no se haya enumerado específicamente . Estos artículos sólo estarán cubiertos bajo esta garantía por noventa (90) días a partir de la fecha de compra original. Los artículos subrayados sólo están garantizados por defectos de material o fabricación.
7. RESPONSABILIDADES DEL GARANTE BAJO ESTA GARANTIA: Reparar o reemplazar, como lo decida el Garante, los productos o componentes que estén defectuosos, se hayan dañado o hayan dejado de funcionar adecuadamente, durante el período de validez de la garantía
8. RESPONSABILIDADES DEL COMPRADOR BAJO ESTA GARANTIA:
 - A. Suministrar prueba fechada de compra y la historia de mantenimiento del producto.
 - B. Llame a Campbell Hausfeld (800) 543-6400 por sus opciones de servicio incluidas en la garantía. Los costos de flete correrán por cuenta del comprador.
 - C. Seguir las instrucciones sobre operación y mantenimiento del producto, tal como se indica(n) en el (los) manual(es) del propietario
9. CUANDO EFECTUARA EL GARANTE LA REPARACION O REEMPLAZO CUBIERTO BAJO ESTA GARANTIA: La reparación o reemplazo dependerá del flujo normal de trabajo del centro de servicio y de la disponibilidad de repuestos.

Esta garantía limitada es válida sólo en los EE.UU., Canadá y México y otorga derechos legales específicos. Usted también puede tener otros derechos que varían de un Estado a otro. o de un país a otro.

