

CHN10400

Para Ordenar Repuestos, Sírvase Llamar al Concesionario más Cercano a su Domicilio

Sírvase darnos la siguiente información:

- Número del modelo
- Código impreso
- Descripción y número del repuesto según la lista de repuestos

Puede escribirnos a:

Campbell Hausfeld
Attn: Parts Department
100 Production Drive
Harrison, OH 45030 U.S.A.

| No. de Ref. | Descripción | Número del Repuesto | Ctd. |
|-------------|--|---------------------|------|
| 1 | Deflector del escape | SV490000AV | 1 |
| 2 | Perno de cabeza hex. | SV490100AV | 4 |
| 3 | Arandela de resorte | SV490200AV | 6 |
| 4 | Head cap | SV490300AV | 1 |
| 5 | Arandela de sello | * | 1 |
| 6 | Anillo en O | * | 1 |
| 7 | Revestimiento interno | SV490600AV | 1 |
| 8 | Anillo en O | ● | 1 |
| 9 | Resorte de compresión | ● | 1 |
| 10 | Válvula de equilibrio | ● | 1 |
| 11 | Anillo en O | ● * | 1 |
| 12 | Anillo en O | ● * | 1 |
| 13 | Anillo en O | ● * | 1 |
| 14 | Anillo en O | ● * | 1 |
| 15 | Pistón | ■ | 1 |
| 16 | Alabe del impulsor | ■ | 1 |
| 18 | Collar | SV491600AV | 1 |
| 19 | Anillo en O | * | 1 |
| 20 | Anillo en O | * | 1 |
| 21 | Cilindro | SV491900AV | 1 |
| 22 | Defensa | SV492000AV | 1 |
| 23 | Empaque | * | 1 |
| 24 | Almohadilla derecha de goma | SV492200AV | 1 |
| 25 | Cubierta de la boquilla | SV492300AV | 1 |
| 26 | Almohadilla izquierda de goma | SV492400AV | 1 |
| 27 | Cuerpo | SV492500AV | 1 |
| 28 | Boquilla | SV492600AV | 1 |
| 29 | Guía del impulsor | SV492700AV | 1 |
| 30 | Perno de cabeza hex. | SV492800AV | 2 |
| 31 | Cubierta de la guía del impulsor | SV492900AV | 1 |
| 32 | Perno de cabeza hex. | SV493000AV | 2 |
| 33 | Guía de impulsión superior | SV493100AV | 1 |
| 34 | Cubierta de la guía del impulsor | SV493200AV | 1 |
| 35 | Pasador | SV493300AV | 2 |
| 36 | Pasador | SV493400AV | 1 |
| 37 | Anillo en O | SV493500AV | 1 |
| 38 | Marco de la guía de control de profundidad | SV493600AV | 1 |
| 39 | Resorte de seguridad | SV493700AV | 1 |
| 40 | Elemento de contacto | SV493800AV | 1 |
| 41 | Bola de acero | SV493900AV | 2 |
| 42 | Resorte | SV494000AV | 2 |
| 43 | Ruedecilla | SV494100AV | 1 |
| 44 | Elemento de contacto superior | SV494200AV | 1 |
| 45 | Elemento de contacto inferior | SV494300AV | 1 |
| 46 | Punta de protección | SV494400AV | 1 |
| 47 | Arandela de resorte | SV494500AV | 3 |

| No. de Ref. | Descripción | Número del Repuesto | Ctd. |
|-------------|---------------------------------------|---------------------|------|
| 48 | Perno de cabeza hex. | SV494600AV | 1 |
| 49 | Sello interno | ▲ * | 1 |
| 50 | Cuerpo de la válvula superior | SV494800AV | 1 |
| 51 | Resorte interno del gatillo | SV494900AV | 1 |
| 52 | Anillo en O | ▲ * | 2 |
| 53 | Émbolo de la válvula del gatillo | SV495100AV | 1 |
| 54 | Anillo en O | ▲ * | 1 |
| 55 | Cuerpo de la válvula inferior | SV495300AV | 1 |
| 56 | Resorte del gatillo | □ | 1 |
| 57 | Placa del gatillo | □ | 1 |
| 58 | Pasador de resorte | □ | 1 |
| 59 | Gatillo | □ | 1 |
| 60 | Pasador del gatillo | □ | 1 |
| 61 | Anillo en O | □ * | 1 |
| 62 | Buje | SV496000AV | 1 |
| 63 | Resorte de torsión | SV496100AV | 1 |
| 64 | Seguro de liberación rápida | SV496200AV | 1 |
| 65 | Perno de cabeza hex. | SV496300AV | 1 |
| 66 | Cubierta del botón | SV496400AV | 1 |
| 67 | Cargador B | SV496500AV | 1 |
| 69 | Impulsor | ◆ | 1 |
| 70 | SopORTE del resorte | ◆ | 2 |
| 71 | Resorte de empuje | ◆ | 2 |
| 72 | Cargador A | SV496900AV | 1 |
| 73 | Arandela de resorte | SV497000AV | 1 |
| 74 | Perno de cabeza hex. | SV497100AV | 1 |
| 75 | Tornillo de cabeza plana | SV497200AV | 1 |
| 76 | Tope del extremo del cargador | SV497300AV | 1 |
| 77 | Almohadilla del cargador | SV497400AV | 1 |
| 78 | Pasador de resorte | SV497500AV | 1 |
| 79 | Resorte | SV497600AV | 1 |
| 80 | Botón del seguro del cargador | SV497700AV | 1 |
| 81 | Pasador de resorte | SV497800AV | 1 |
| 82 | Gancho de cola | SV497900AV | 1 |
| 83 | Perno de cabeza hex. | SV498000AV | 2 |
| 84 | Cubierta de la concavidad del extremo | SV498100AV | 1 |
| 85 | Mango | SV498200AV | 1 |
| 86 | Anillo en O | * | 1 |
| 87 | Capacete | SV498400AV | 1 |

JUEGOS DE REPUESTOS

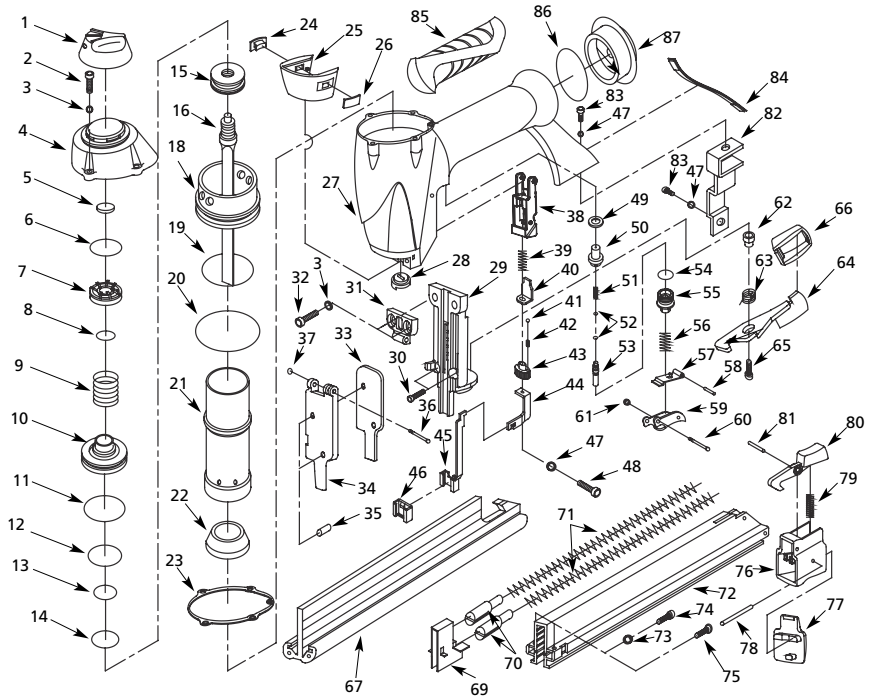
- ◆ Ensamblaje del disparador SKN00900AV
- ▲ Juego de anillos en O del gatillo SKN01000AV
- Juego de piezas del impulsor SKN01100AV
- Ensamble de válvula de equilibrio SKN01200AV
- Ensamblaje del gatillo SKN01300AV
- * Juego completo de anillos en O SKN01400AV



**2-in-1 Nailer/Stapler
Clouuse/agrafeuse 2-en-1
Clavadora/Engrapadora 2-en-1**

Replacement Parts Manual
Manuel de pièces de rechange
Lista de Repuestos

CHN10400



For Replacement Parts, call 1-800-543-6400

Please provide following information:

- Model number
- Serial number (if any)
- Part description and number as shown in parts list

Address parts correspondence to:

Campbell Hausfeld
Attn: Parts Department
100 Production Drive
Harrison, OH 45030 U.S.A.

| Ref. No. | Description | Part Number | Qty. |
|----------|----------------------------|-------------|------|
| 1 | Exhaust deflector | SV490000AV | 1 |
| 2 | Hex. socket head bolt | SV490100AV | 4 |
| 3 | Spring washer | SV490200AV | 6 |
| 4 | Head cap | SV490300AV | 1 |
| 5 | Seal washer | * | 1 |
| 6 | O-ring | * | 1 |
| 7 | Internal lining | SV490600AV | 1 |
| 8 | O-ring | ● * | 1 |
| 9 | Compression spring | ● | 1 |
| 10 | Balance valve | ● | 1 |
| 11 | O-ring | ● * | 1 |
| 12 | O-ring | ● * | 1 |
| 13 | O-ring | ● * | 1 |
| 14 | O-ring | ■ * | 1 |
| 15 | Piston | ■ | 1 |
| 16 | Driver blade | ■ | 1 |
| 18 | Collar | SV491600AV | 1 |
| 19 | O-ring | * | 1 |
| 20 | O-ring | * | 1 |
| 21 | Cylinder | SV491900AV | 1 |
| 22 | Bumper | SV492000AV | 1 |
| 23 | Gasket | * | 1 |
| 24 | Right rubber pad | SV492200AV | 1 |
| 25 | Nozzle shield | SV492300AV | 1 |
| 26 | Left rubber pad | SV492400AV | 1 |
| 27 | Body | SV492500AV | 1 |
| 28 | Nozzle | SV492600AV | 1 |
| 29 | Driver guide | SV492700AV | 1 |
| 30 | Hex. socket head bolt | SV492800AV | 2 |
| 31 | Spacer | SV492900AV | 1 |
| 32 | Hex. socket head bolt | SV493000AV | 2 |
| 33 | Upper driver guide | SV493100AV | 1 |
| 34 | Driver guide cover | SV493200AV | 1 |
| 35 | Pin | SV493300AV | 2 |
| 36 | Pin | SV493400AV | 1 |
| 37 | O-ring | SV493500AV | 1 |
| 38 | Depth control guide frame | SV493600AV | 1 |
| 39 | Safety spring | SV493700AV | 1 |
| 40 | Depth control guide body | SV493800AV | 1 |
| 41 | Steel ball | SV493900AV | 2 |
| 42 | Spring | SV494000AV | 2 |
| 43 | Thumbwheel | SV494100AV | 1 |
| 44 | Upper work contact element | SV494200AV | 1 |
| 45 | Lower work contact element | SV494300AV | 1 |
| 46 | No-mar tip | SV494400AV | 1 |
| 47 | Spring washer | SV494500AV | 3 |
| 48 | Hex. socket head bolt | SV494600AV | 1 |
| 49 | Inner seal | ▲ * | 1 |
| 50 | Upper valve body | SV494800AV | 1 |

| Ref. No. | Description | Part Number | Qty. |
|-------------------------------|---------------------------------|-------------|------|
| 51 | Inner trigger spring | SV494900AV | 1 |
| 52 | O-ring | ▲ * | 2 |
| 53 | Trigger valve plunger | SV495100AV | 1 |
| 54 | O-ring | ▲ * | 1 |
| 55 | Lower valve body | SV495300AV | 1 |
| 56 | Trigger spring | □ | 1 |
| 57 | Trigger plate | □ | 1 |
| 58 | Spring pin | □ | 1 |
| 59 | Trigger | □ | 1 |
| 60 | Pin for trigger | □ | 1 |
| 61 | O-ring | □ * ▲ | 1 |
| 62 | Bushing | SV496000AV | 1 |
| 63 | Torsion spring | SV496100AV | 1 |
| 64 | Quick release latch | SV496200AV | 1 |
| 65 | Hex. socket head bolt | SV496300AV | 1 |
| 66 | Button cover | SV496400AV | 1 |
| 67 | Magazine B | SV496500AV | 1 |
| 69 | Pusher | ◆ | 1 |
| 70 | Spring holder | ◆ | 2 |
| 71 | Pusher spring | ◆ | 2 |
| 72 | Magazine A | SV496900AV | 1 |
| 73 | Spring washer | SV497000AV | 1 |
| 74 | Hex. socket head bolt | SV497100AV | 1 |
| 75 | Flat head screw | SV497200AV | 1 |
| 76 | Magazine end stop | SV497300AV | 1 |
| 77 | Magazine pad | SV497400AV | 1 |
| 78 | Spring pin | SV497500AV | 1 |
| 79 | Spring | SV497600AV | 1 |
| 80 | Magazine latch button | SV497700AV | 1 |
| 81 | Spring pin | SV497800AV | 1 |
| 82 | Tail hanger | SV497900AV | 1 |
| 83 | Hex. socket head bolt | SV498000AV | 2 |
| 84 | End hollow cover | SV498100AV | 1 |
| 85 | Hand grip | SV498200AV | 1 |
| 86 | O-ring | * | 1 |
| 87 | End cap | SV498400AV | 1 |
| REPLACEMENT PARTS KITS | | | |
| ◆ | Pusher assembly | SKN00900AV | |
| ▲ | Trigger valve o-ring kit | SKN01000AV | |
| ■ | Driver kit | SKN01100AV | |
| ● | Balance valve assembly | SKN01200AV | |
| □ | Trigger assembly | SKN01300AV | |
| * | Complete o-ring replacement kit | SKN01400AV | |

Pour pièces de rechange, appeler 1-800-543-6400

S'il vous plaît fournir l'information suivante:

- Numéro de Modèle
- Numéro de série (si présent)
- Description et numéro de la pièce

Correspondance:

Campbell Hausfeld
Attn: Parts Department
100 Production Drive
Harrison, OH 45030 U.S.A.

| N° de Réf. | Description | N° de Pièce | Qté. |
|------------|--|-------------|------|
| 1 | Déflexeur d'échappement | SV490000AV | 1 |
| 2 | Boulon barillet hex | SV490100AV | 4 |
| 3 | Rondelle élastique | SV490200AV | 6 |
| 4 | Chapeau de tête | SV490300AV | 1 |
| 5 | Rondelle d'étanchéité | * | 1 |
| 6 | Joint torique | * | 1 |
| 7 | Doubleur intérieure | SV490600AV | 1 |
| 8 | Joint torique | ● * | 1 |
| 9 | Ressort de compression | ● | 1 |
| 10 | Soupape d'équilibrage | ● | 1 |
| 11 | Joint torique | ● * | 1 |
| 12 | Joint torique | ● * | 1 |
| 13 | Joint torique | ● * | 1 |
| 14 | Joint torique | ■ * | 1 |
| 15 | Piston | ■ | 1 |
| 16 | Lame d'entraînement | ■ | 1 |
| 18 | Collier | SV491600AV | 1 |
| 19 | Joint torique | * | 1 |
| 20 | Joint torique | * | 1 |
| 21 | Cylindre | SV491900AV | 1 |
| 22 | Pare-chocs | SV492000AV | 1 |
| 23 | Joint d'étanchéité | * | 1 |
| 24 | Tampon de caoutchouc droit | SV492200AV | 1 |
| 25 | Écran de buse | SV492300AV | 1 |
| 26 | Tampon de caoutchouc gauche | SV492400AV | 1 |
| 27 | Corps | SV492500AV | 1 |
| 28 | Buse | SV492600AV | 1 |
| 29 | Guide d'entraînement | SV492700AV | 1 |
| 30 | Boulon barillet hex | SV492800AV | 2 |
| 31 | Entretoise | SV492900AV | 1 |
| 32 | Boulon barillet hex | SV493000AV | 2 |
| 33 | Guide d'entraînement supérieur | SV493100AV | 1 |
| 34 | Couvercle du guide d'entraînement | SV493200AV | 1 |
| 35 | Goupille | SV493300AV | 2 |
| 36 | Goupille | SV493400AV | 1 |
| 37 | Joint torique | SV493500AV | 1 |
| 38 | Câdre du guide de contrôle de profondeur | SV493600AV | 1 |
| 39 | Ressort de sécurité | SV493700AV | 1 |
| 40 | Pointe de contact | SV493800AV | 1 |
| 41 | Bille d'acier | SV493900AV | 2 |
| 42 | Ressort | SV494000AV | 2 |
| 43 | Molette | SV494100AV | 1 |
| 44 | Pointe de contact supérieur | SV494200AV | 1 |
| 45 | Pointe de contact inférieur | SV494300AV | 1 |
| 46 | Embout anti-marque | SV494400AV | 1 |
| 47 | Rondelle élastique | SV494500AV | 3 |

| N° de Réf. | Description | N° de Pièce | Qté. |
|--|---|-------------|------|
| 48 | Boulon barillet hex | SV494600AV | 1 |
| 49 | Scellement intérieur | ▲ * | 1 |
| 50 | Corps de soupape supérieur | SV494800AV | 1 |
| 51 | Ressort intérieur de gâchette | SV494900AV | 1 |
| 52 | Joint torique | ▲ * | 2 |
| 53 | Plongeur de soupape de gâchette | SV495100AV | 1 |
| 54 | Joint torique | ▲ * | 1 |
| 55 | Corps de soupape inférieur | SV495300AV | 1 |
| 56 | Ressort de gâchette | □ | 1 |
| 57 | Plaque de gâchette | □ | 1 |
| 58 | Goupille à ressort | □ | 1 |
| 59 | Gâchette | □ | 1 |
| 60 | Goupille de gâchette | □ | 1 |
| 61 | Joint torique | □ * ▲ | 1 |
| 62 | Douille | SV496000AV | 1 |
| 63 | Ressort de torsion | SV496100AV | 1 |
| 64 | Loquet de dégagement rapide | SV496200AV | 1 |
| 65 | Boulon barillet hex | SV496300AV | 1 |
| 66 | Couvercle du bouton | SV496400AV | 1 |
| 67 | Chargeur B | SV496500AV | 1 |
| 69 | Poussoir | ◆ | 1 |
| 70 | Porte ressort | ◆ | 2 |
| 71 | Ressort poussoir | ◆ | 2 |
| 72 | Chargeur A | SV496900AV | 1 |
| 73 | Rondelle élastique | SV497000AV | 1 |
| 74 | Boulon barillet hex | SV497100AV | 1 |
| 75 | Vis à tête plate | SV497200AV | 1 |
| 76 | Bouton de verrou du chargeur | SV497300AV | 1 |
| 77 | Tampon du chargeur | SV497400AV | 1 |
| 78 | Goupille à ressort | SV497500AV | 1 |
| 79 | Ressort | SV497600AV | 1 |
| 80 | Bouton de verrou du chargeur | SV497700AV | 1 |
| 81 | Goupille à ressort | SV497800AV | 1 |
| 82 | Crochet de talon | SV497900AV | 1 |
| 83 | Boulon barillet hex | SV498000AV | 2 |
| 84 | Couvercle creux d'embout | SV498100AV | 1 |
| 85 | Poignée à main | SV498200AV | 1 |
| 86 | Joint torique | * | 1 |
| 87 | Embout | SV498400AV | 1 |
| NECESSAIRES DE PIÈCES DE RECHANGE | | | |
| ◆ | Poussoir équipé | SKN00900AV | |
| ▲ | Nécessaire de joint torique de gâchette | SKN01000AV | |
| ■ | Nécessaire d'entraînement | SKN01100AV | |
| ● | Montage de soupape d'équilibrage | SKN01200AV | |
| □ | Gâchette équipée | SKN01300AV | |
| * | Nécessaire de rechange complet de joints toriques | SKN01400AV | |