

Please read and save these instructions. Read carefully before attempting to assemble, install, operate or maintain the product described. Protect yourself and others by observing all safety information. Failure to comply with instructions could result in personal injury and/or property damage! Retain instructions for future reference.



Shielded Metal Arc Welder



Description

This Campbell Hausfeld Arc Welder is designed to be used on standard 115V household current. It is equipped with an output control to accurately select the proper current needed for various welding conditions. Internal components are thermostatically protected.


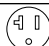
This welder can weld up to 1/8 in. steel in a single pass. Recommended electrode size is 1/16 in. diameter for 15 amp circuits, up to 5/64 in. diameter for 20 amp circuits. For replacement electrodes, call (800) 746-5641 for the nearest dealer.

Unpacking

When unpacking, inspect carefully for any damage that may have occurred during transit. Report any damaged or missing items by calling 1-800-746-5641.

Circuit Requirements

CAUTION This equipment requires a dedicated 115 volt circuit. Refer to the following chart for the correct circuit breaker or fuse rating. Do not run other appliances, lights, or tools on this circuit while operating this equipment. Extension cords are not recommended. Blown fuses or tripped circuit breakers can result from failure to comply with this recommendation.

Heat Setting	Circuit Breaker or Slow Blow Fuse
Low	15 amp 
High	20 amp 

Components and Controls

1. Work Clamp - connect to work piece
2. Electrode Holder - holds electrode welding rod

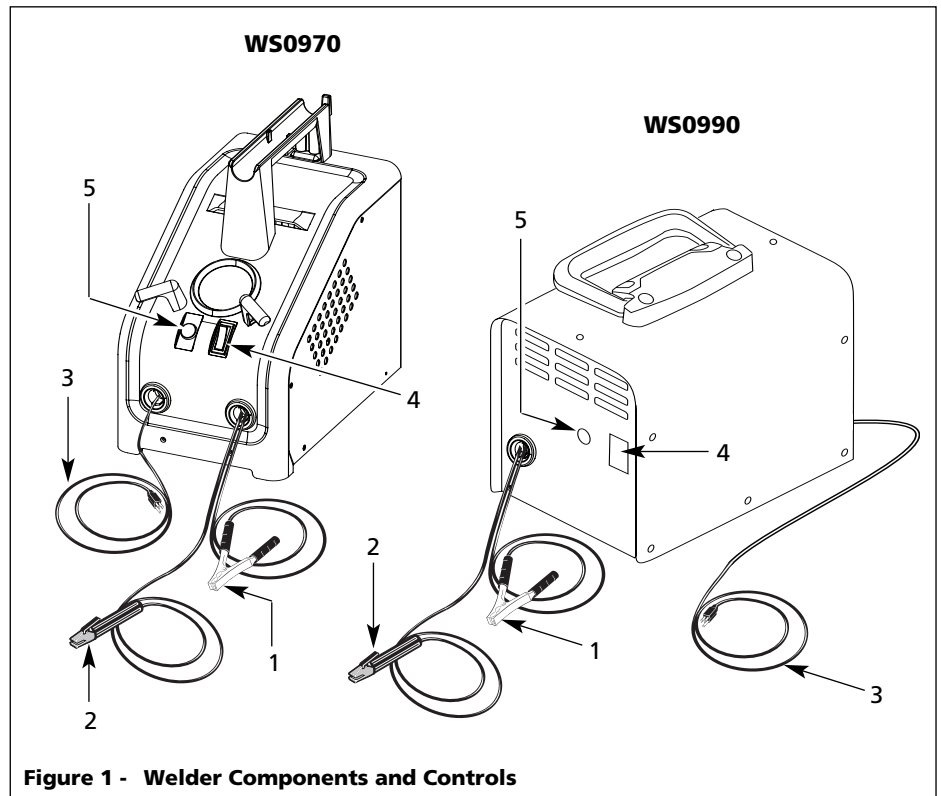


Figure 1 - Welder Components and Controls

3. Power Cord - plug into 115 volt outlet.
4. Power Switch - High/Off/Low.
5. Indicator Light - light activates if thermostat has automatically shut unit off.

CAUTION Caution means a hazard that may cause minor or moderate injury if the warning is ignored. It also may mean a hazard that will only cause damage to property.

NOTE: Note means any additional information pertaining to the product or its proper usage.

General Safety

DANGER Danger means a hazard that will cause death or serious injury if the warning is ignored.

WARNING Warning means a hazard that could cause death or serious injury if the warning is ignored.

WARNING Always keep a fire extinguisher accessible while performing arc welding operations.



REMINDER: Keep your dated proof of purchase for warranty purposes! Attach it to this manual or file it for safekeeping.

General Safety (Continued)

- Before starting or servicing any electric arc welder, read and understand all instructions. Failure to follow safety precautions or instructions can cause equipment damage and or serious personal injury or death.
- All installation, maintenance, repair and operation of this equipment should be performed by qualified persons only in accordance with national, state, and local codes.

⚠WARNING

Improper use of electric arc welders can cause electric shock, injury, and death! Take all precautions described in this manual to reduce the possibility of electric shock.



- Verify that all components of the arc welder are clean and in good condition prior to operating the welder. Be sure that the insulation on all cables, electrode holders, and power cords is not damaged. Always repair or replace damaged components before operating the welder. Always keep welder panels, shields, etc. in place when operating the welder.
- Always wear dry protective clothing and welding gloves, and insulated footwear.
- Always operate the welder in a clean, dry, well ventilated area. Do not operate the welder in humid, wet, rainy, or poorly ventilated areas.
- Be sure that the work piece is properly supported and grounded prior to beginning any electric arc welding operation.
- Coiled welding cable should be spread out before use to avoid overheating and damage to insulation.

⚠DANGER

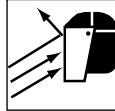
Never immerse the electrode or electrode holder in water. If the welder becomes wet for any reason, be absolutely certain that it is completely clean and dry prior to attempting use!

- Always shut the equipment off and unplug the power prior to moving the unit.
- Always attach the work lead first.

- Verify that the work piece is securely grounded.
- Always shut off electric arc welding equipment when not in use and remove the electrode from the holder.
- Never allow any part of the body to touch the electrode and ground or grounded work piece at the same time.
- Awkward welding conditions and positions can be electrically hazardous. When crouching, kneeling or at elevations, be sure to insulate all conductive parts, wear appropriate protective clothing, and take precautions to prevent injury from falls.
- Never attempt to use this equipment at current settings or duty cycles higher than those specified on the equipment labels.
- Never use an electric arc welder to thaw frozen pipes.

⚠WARNING

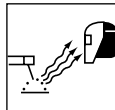
Flying sparks and hot metal can cause injury. As welds cool, slag can be thrown off. Take all precautions described in this manual to reduce the possibility of injury from flying sparks and hot metal.



- Wear ANSI approved face shield or safety glasses with side shield protection when chipping or grinding metal parts.
- Wear ear plugs when welding overhead to prevent spatter or slag from falling into ears.

⚠WARNING

Electric arc welding operations produce intense light and heat and ultraviolet (UV) rays. This intense light and UV rays can cause injury to eyes and skin. Take all precautions described in this manual to reduce the possibility of injury to eyes and skin.



- All persons operating this equipment or in the area while equipment is in use must wear protective welding gear including: welding helmet or shield with at least shade 10, flame resistant clothing, leather welding gloves, and full foot protection.

⚠WARNING

Never look at arc welding operations without eye protection as described above. Never use a shade filter lens that is cracked, broken, or rated below number 10. Warn others in the area not to look at the arc.

⚠WARNING

Electric arc welding operations cause sparks and heat metal to temperatures that can cause severe burns! Use protective gloves and clothing when performing any metal working operation. Take all precautions described in this manual to reduce the possibility of skin and clothing burns.



- Make sure that all persons in the welding area are protected from heat, sparks, and ultraviolet rays. Use additional face shields and flame resistant barriers as needed.
- Never touch work pieces until completely cooled.

⚠WARNING

Heat and sparks produced during electric arc welding and other metal working operations can ignite flammable and explosive materials! Take all precautions described in this manual to reduce the possibility of flames and explosions.

- Remove all flammable materials within 35 feet (10.7 meters) of welding arc. If removal is not possible, tightly cover flammable materials with fire proof covers.
- Do not operate any electric arc welder in areas where flammable or explosive vapors may be present.
- Take precautions to be sure that flying sparks and heat do not cause flames in hidden areas, cracks, behind bulkheads, etc.



⚠WARNING

Fire hazard! Do not weld on containers or pipes that contain or have contained flammable materials or gaseous or liquid combustibles.



⚠WARNING

Arc welding closed cylinders or containers such as tanks or drums can cause explosion if not properly vented! Verify that any cylinder or container to be welded has an adequate ventilation hole, so that expanding gases can be released.



General Safety (Continued)

CALIFORNIA PROPOSITION 65

⚠ DANGER

This product, when used for welding, produces fumes or gases which contain chemicals known to the State of California to cause birth defects (or other reproductive harm) and, in some cases, cancer (California Health & Safety Code Section 25249.5 et seq.).

⚠ WARNING

The power cord and other cables on this product contain chemicals, including lead, known to the State of California to cause [cancer and] birth defects or other reproductive harm. Wash hands after handling.

⚠ WARNING

Do not breathe fumes that are produced by the arc welding operation. These fumes are dangerous. If the welding area cannot be adequately ventilated, be sure to use an air-supplied respirator.



- Keep the head and face out of the welding fumes.
- Do not perform electric arc welding operations on metals that are galvanized or cadmium plated, or contain zinc, mercury, or beryllium without completing the following precautions:
 - a. Remove the coating from the base metal.
 - b. Make sure that the welding area is well ventilated.
 - c. Use an air-supplied respirator.
 Extremely toxic fumes are created when these metals are heated.

⚠ WARNING

The electromagnetic field that is generated during arc welding may interfere with the operation of various electrical and electronic devices such as cardiac pacemakers. Persons using such devices should consult with their physician prior to performing any electric arc welding operations.



- Route the electrode and work cables together and secure with tape when possible.
- Never wrap arc welder cables around the body.
- Always position the electrode and work leads so that they are on the same side of the body.

- Exposure to electromagnetic fields during welding may have other health effects which are not known.

⚠ WARNING *Always be sure that the welding area is secure and free of hazards (sparks, flames, glowing metal or slag) prior to leaving. Be sure that equipment is turned off and electrode is removed. Be sure that cables are loosely coiled and out of the way. Be sure that all metal and slag has cooled.*

ADDITIONAL SAFETY STANDARDS

ANSI Standard Z49.1 from American Welding Society, 550 N.W. LeJune Rd. Miami, FL 33126

Safety and Health Standards

OSHA 29 CFR 1910, from Superintendent of Documents, U.S. Government Printing Office, Washington, D.C. 20402

National Electrical Code

NFPA Standard 70, from National Fire Protection Association, 1 Batterymarch Park, Quincy, MA 02169

Safe Handling of Compressed Gases in Cylinders

CGA Pamphlet P-1, from Compressed Gas Association, 1235 Jefferson Davis Highway, Suite 501, Arlington, VA 22202

Code for Safety in Welding and Cutting

CSA Standard W117.2, from Canadian Standards Association, Standards Sales, 178 Rexdale Boulevard, Rexdale, Ontario, Canada M9W 1R3

Cutting And Welding Processes

NFPA Standard 51B, from National Fire Protection Association, 1 Batterymarch Park, Quincy, MA 02169

Safe Practices For Occupational And Educational Eye And Face Protection

ANSI Standard Z87.1, from American National Standards Institute, 1430 Broadway, New York, NY 10018

Refer to the Material Safety Data Sheets and the manufacturers instructions for metals, electrodes, coatings and cleaners.

Installation

Location

Selecting the proper location can significantly increase performance, reliability and life of the arc welder.

- For best results locate the welder in an environment that is clean and dry. Dust and dirt in the welder retain moisture and increase wear of moving parts.

- Store electrodes in a clean, dry location with low humidity to preserve the flux coating.
- The receptacle used for the welder must be properly grounded and the welder must be the only load on the power supply circuit. Refer to the Circuit Amps chart on page 1 for correct circuit capacity.
- The use of an extension cord is not recommended for arc welding machines. Extension cord use will significantly degrade the performance of the welder.

Assembly

HANDSHIELD (OPTIONAL)

1. Cut detachable handle away from shield. Trim the excess plastic to remove sharp edges.

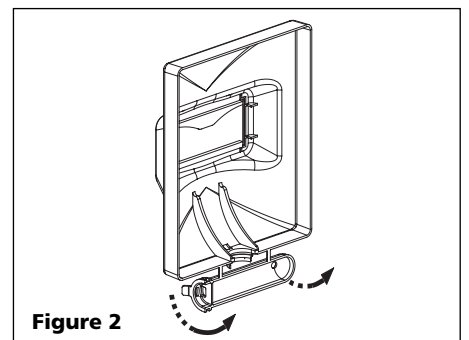


Figure 2

2. Insert filter lens.

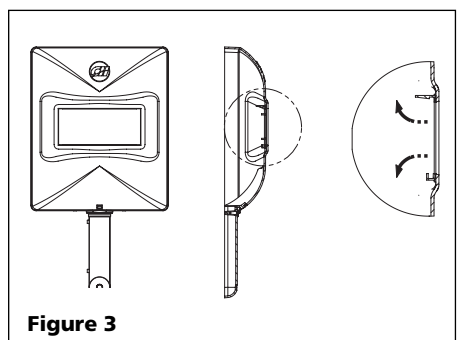


Figure 3

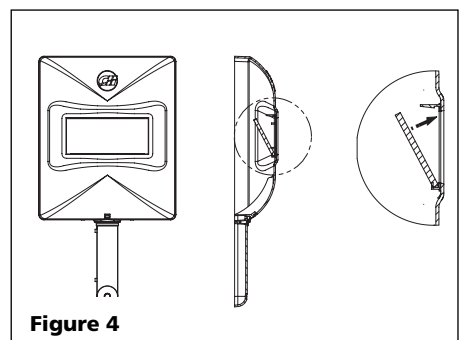


Figure 4

Assembly (Continued)

- To attach the handle, place shield on a flat surface and press handle into place (See Figure 5).

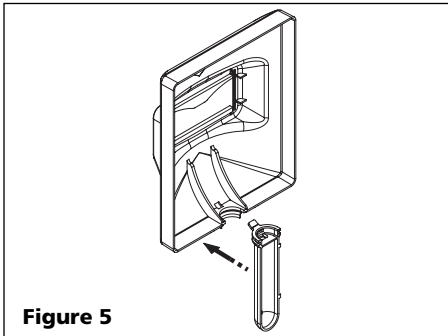



Figure 5

NOTE: If you have never welded before or have little experience, a full face helmet is recommended. Both hands are needed to stabilize and control the angle and arc length of the electrode.

Operation

- Be sure to read, understand, and comply with all precautions in the General Safety Information section. Be sure to read the entire section entitled Welding Guidelines prior to using this equipment. 
- Turn welder off and plug into appropriate receptacle:
115v-15 amp - Low
115v-20 amp - High
- Verify that the surfaces of metals to be joined are free from dirt, rust, paint, oil, scale or other contaminants. These contaminants make welding difficult and cause poor welds.

WARNING *All persons operating this equipment or in the area while equipment is in use must wear protective welding gear including: eye protection with minimum shade 10 lens, flame resistant clothing, leather welding gloves, and full foot protection.*

WARNING

If heating, welding, or cutting materials that are galvanized, zinc plated, lead, or cadmium plated refer to the General Safety Information Section for instructions. Extremely toxic fumes are created when these metals are heated.



- Connect the work clamp to the work piece. Make sure the contact is on bare metal and not obstructed by paint, varnish, corrosion, or non-metallic materials.
- Insert the exposed part of the electrode rod (the end with no flux) into the jaws of the electrode holder.

WARNING

The electrode holder and rod are electrically "live" (current potential) when the welder is on.

WARNING

Grounding against any metallic surface may produce an arc which could cause sparks and damage eyesight.

- Hold the electrode away from the grounded work piece or workbench. Turn on the welder to either High or Low. Refer to the following chart for proper output setting.

Electrode Diameter	Output Setting
1/16 in. (1.6 mm)	Low
5/64 in. (2 mm)	High

- Position the electrode to begin weld, lower the welding helmet or position the hand shield, and strike an arc. Adjust output setting as needed.
- When finished welding, turn welder off and store properly.

DUTY CYCLE / THERMOSTATIC PROTECTION

Welder duty cycle is the percentage of actual weld time that can occur in a ten minute interval. For example, at a 10% duty cycle, actual welding can occur for one minute, then the welder must cool for nine minutes.

Internal components of this welder are protected from overheating with an automatic thermal switch. A yellow lamp is illuminated on the front panel if the duty cycle is exceeded. Welding operations may continue when the yellow lamp is no longer illuminated.

Maintenance

WARNING

Disconnect power supply and turn machine off before inspecting or servicing any components.

Before every use:

- Check condition of weld cables and immediately repair or replace any cables with damaged insulation.
- Check condition of power cord and immediately repair or replace any cord if damaged.
- Check condition of electrode holder insulating pieces and immediately replace cracked or missing insulators. Verify that all fasteners are tight and insulated.

WARNING

Do not operate this welding machine with cracked or missing insulation on welding cables, electrode holder, or power cord.

Every 3 months:

Replace any unreadable labels on the welder. Use compressed air to blow all dust and lint from the ventilation openings.

Welding Guidelines

General

This welding machine utilizes a process known as Shielded Metal-Arc Welding (SMAW). This process is used to bond metals by heating them with an electric arc created between the electrode and the work piece.

Electrodes used for shielded metal arc welding have two parts. The inner core is a metal rod or wire that should be similar in composition to the base metal. The outer coating is called flux. Various types of flux exist. Each coating is used for a particular welding situation.

While the metal is molten, it can be contaminated by elements in the air. This contamination could weaken the weld. The flux coating creates a protective barrier called slag that protects the molten metal from contaminants.

When current (amperage) flows through the circuit to the electrode, an arc is formed between the end of the electrode and the work piece. The arc melts the electrode and the work piece. The melted metal of the electrode flows into the molten crater and forms a bond with the work piece as shown in Figure 6.

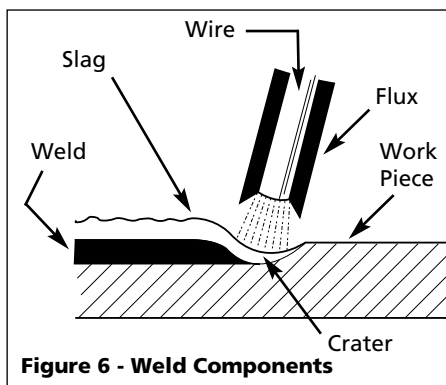


Figure 6 - Weld Components

NOTE: Discontinue using and discard electrodes that burn down to 1 to 2 inches from the electrode holder.

STRIKING AN ARC

Attach work clamp to work piece. The jaws of the work clamp must make good contact with clean bare metal of the work piece for good welding results.

Place the bare end of the electrode in the holder. Grip the holder lightly to reduce tiring of the hand and arm.

NOTE: Always keep the jaws of the holder clean to ensure good electrical contact with the electrode.

⚠ WARNING *Be careful not to touch the work piece or welding bench with the electrode as this causes arc flashes.*

The best method of striking an arc is the scratching method. Drag the electrode at an angle along the surface much like striking a match. Upon contact with the plate, lift the electrode approximately 1/16 in. off the surface or it will stick (See Figure 7).

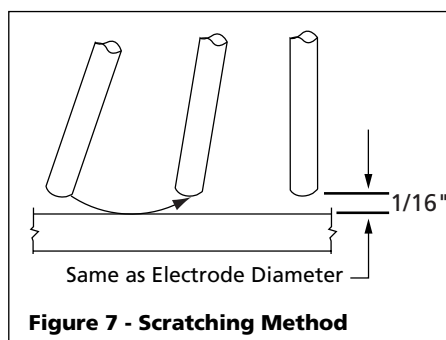


Figure 7 - Scratching Method

NOTE: Should the electrode stick to the work piece, break it loose by quickly twisting or bending at the holder while pulling upward. If the electrode does not break loose, disengage the electrode by releasing it from the holder.

ELECTRODE TYPE AND SIZE

Two types of electrodes are recommended for this welder. The electrodes are commonly known by the AWS (American Welding Society) designation as follows:

1. E-6013 GENERAL PURPOSE

- All position, smooth deposit rod with low spatter.
- For all mild steel and general purpose work.

2. E-7014 FAST FILL

- Smooth bead and fast deposition
- Ideal for joints with poor fitup and general repair work

NOTE: E-6011 and E-7018 are not recommended for use with these welders. Recommended electrode diameter is 1/16 in. or 5/64 in.. Call (800) 746-5641 for availability.

Arc Welding Basics

Four basic techniques affect weld quality. These are: amperage setting, weld angle, arc length, and travel speed. Proper use of these techniques is necessary for good weld quality.

AMPERAGE SETTING

The correct amperage involves the adjustment of the welding machine to the required amp setting. This is regulated by selecting the appropriate high or low setting. The amperage required depends on the size (diameter) of electrode used and the thickness of the work piece.

Excessive currents burn through light metals and the weld bead is flat and porous (See Figure 9). The bead appears high and irregular if the current is too low.

WELD ANGLE

Weld angle is the angle at which the electrode is held during the welding process. Using the correct angle ensures proper penetration and bead formation. Electrode angle involves two positions - travel angle and work angle (See Figure 8).

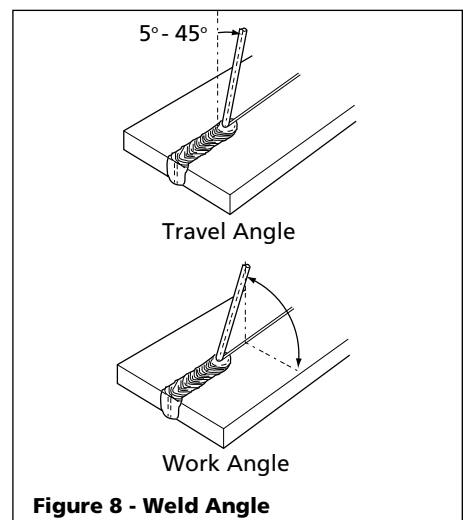


Figure 8 - Weld Angle

Travel angle is the angle in the line of welding and may vary from 5° to 45° from the vertical, depending on welding conditions.

Work angle is the angle from horizontal, measured at right angles to the line of welding.

Welding Guidelines (Continued)

NOTE: Weld bead width (W) should be approximately twice the diameter for the electrode rod used.

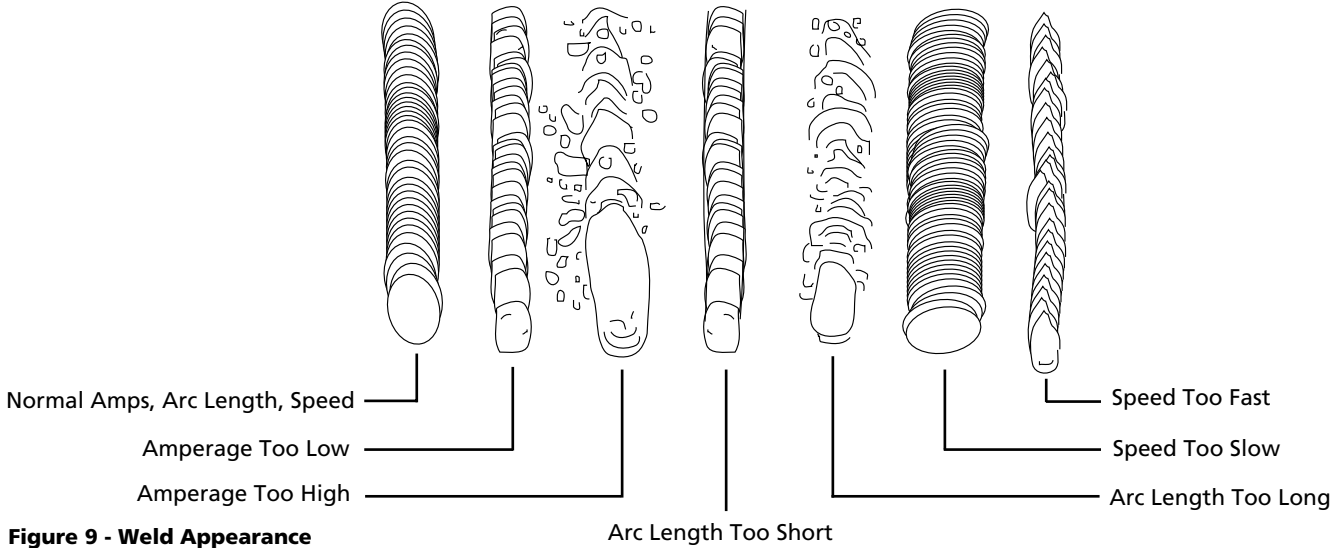
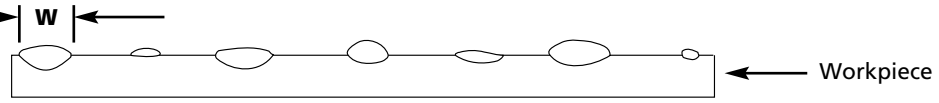


Figure 9 - Weld Appearance

For most applications, a 45° travel angle and 45° work angle is sufficient. For specific applications, consult an arc welding handbook.

NOTE: Right handed welders should weld from left to right. Left handed welders should weld from right to left. The electrode should always point into the weld puddle as shown.

ARC LENGTH

Arc length is the distance from the work piece to the tip of the electrode, the distance which the arc must travel. A proper arc length is essential to generate the heat needed for welding (See Figure 9). An arc that is too long produces an unstable arc, reduces penetration, increases spatter, and causes flat and wide beads. Too short an arc does not create enough heat to melt the work piece, the electrode has a tendency to stick, penetration will be poor, and uneven beads with irregular ripples result. A proper arc should be no longer than the diameter of the rod. The sound of a proper arc is a steady, crisp sizzle, similar to bacon frying.

TRAVEL SPEED

The travel speed is the rate at which the electrode is moved across the weld area (See Figure 9). When the speed is too fast, the bead is narrow and bead ripples are pointed as shown. When the speed is too slow, the weld metal piles up and the bead is high and wide. To control travel speed, watch the width of the weld bead (not the arc) when welding. The weld bead is the orange, molten metal behind the arc. The width should be approximately twice the diameter of the welding rod. Control travel speed to obtain a consistent bead width.

SLAG REMOVAL

⚠ WARNING *Wear ANSI approved safety glasses (ANSI Standard Z87.1) and protective clothing when removing slag. Hot, flying debris can cause personal injury to anyone in the area.*

After completing the weld, wait for the welded sections to cool. A protective coating called slag now covers the weld bead which prevents contaminants in the air from reacting with the molten metal. Once the weld cools to the point that it is no longer glowing red, the

slag can be removed. Removal is done with a chipping hammer. Lightly tap the slag with the hammer and break it loose from the weld bead. The final clean-up is done with a wire brush. When making multiple weld passes, remove the slag between each pass.

WELDING POSITIONS

Four basic welding positions can be used; flat, horizontal, vertical, and overhead. Welding in the flat position is easier than any of the others because welding speed can be increased, the molten metal has less tendency to run, better penetration can be achieved, and the work is less fatiguing.

Other positions require different techniques such as a weaving pass, circular pass, and jogging. A higher skill level is required to complete these welds.

All work should be performed in the flat position if possible. For specific applications, consult an arc welding handbook.

Welding Guidelines (Continued)

WELD PASSES

Sometimes more than one pass is necessary to fill the joint. The root pass is first, followed by filler passes and the cover pass (See Figure 10). If the pieces are thick, it may be necessary to bevel the edges that are joined at a 60° angle. Remember to remove the slag between each pass.

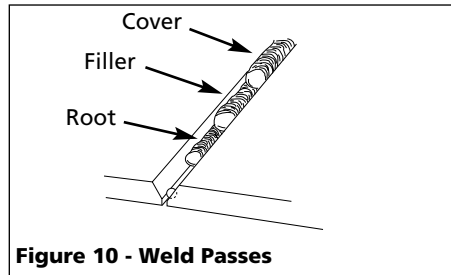


Figure 10 - Weld Passes

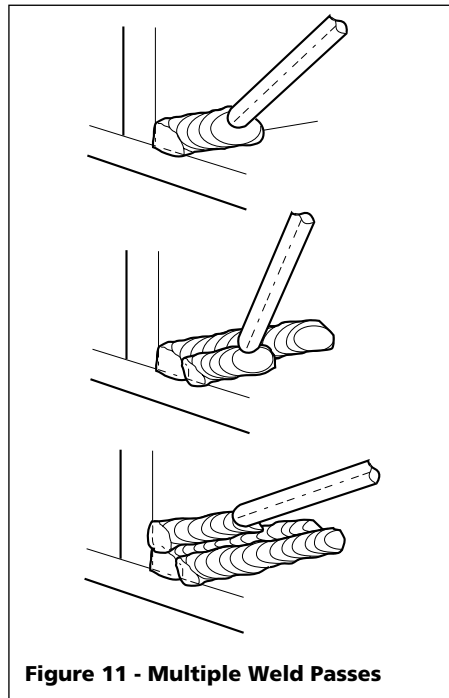


Figure 11 - Multiple Weld Passes

For Information About This Product, Call 1-800-746-5641

Troubleshooting Chart - Welder

Symptom	Possible Cause(s)	Corrective Action
Welder does not hum when turned on	<ol style="list-style-type: none"> 1. No power at receptacle 2. Broken or damaged power cable 	<ol style="list-style-type: none"> 1. Check circuit fuse or circuit breaker 2. Power cable requires service
Welder hums but does not weld	<ol style="list-style-type: none"> 1. Inadequate current at electrode 2. Poor connections at welder 	<ol style="list-style-type: none"> 1. Check work clamp, cable and connection to work piece. Check electrode cable and clamp 2. Check all welder external connections
Welder gives trickle shocks	<ol style="list-style-type: none"> 1. Accidental contact with work piece 2. Current leakage caused by moist clothing or work area 	<ol style="list-style-type: none"> 1. Avoid contact with work piece 2. Make sure clothing and work area are dry
Welder overheats - blows fuses, trips circuit breaker	<ol style="list-style-type: none"> 1. Use of extension cord 2. Electrode diameter too large 3. Overloaded circuit 	<ol style="list-style-type: none"> 1. If possible, relocate welder to avoid use of extension cord. If relocation of welder is not possible, use thicker (lower gauge number) extension cord 2. Use smaller diameter electrode 3. Welder requires a dedicated 115V circuit
Arc difficult to strike	<ol style="list-style-type: none"> 1. Wrong type of electrode 2. Electrode diameter too large 3. Work piece not properly grounded 4. Heavy loads making power line voltage low 	<ol style="list-style-type: none"> 1. Verify that electrode is for alternating current (AC) use 2. Use smaller diameter electrode 3. Verify proper grounding. (No paint, varnish or corrosion) 4. Run welder on dedicated 115V circuit

Troubleshooting Chart - Welds

Symptom	Possible Cause(s)	Corrective Action
Bead is intermittently too thin or too thick	<ol style="list-style-type: none"> 1. Inconsistent travel speed 2. Output amp setting incorrect 	<ol style="list-style-type: none"> 1. Carefully watch and control the width of the molten weld bead 2. Adjust output amp setting or change to smaller diameter electrode
Ragged depressions at edge of weld	<ol style="list-style-type: none"> 1. Travel speed too fast 2. Arc length too short 3. Output amp setting too high 	<ol style="list-style-type: none"> 1. Watch orange molten weld puddle and control bead width 2. Practice running electrode across workpiece with welder OFF 3. Reduce output amp setting
Weld bead does not penetrate workpiece	<ol style="list-style-type: none"> 1. Inconsistent travel speed 2. Output amp setting too low 3. Electrode diameter too large 	<ol style="list-style-type: none"> 1. Decrease and maintain constant travel speed 2. Increase output amp setting or change to smaller diameter electrode 3. Recommend either 1/16 in. or 5/64 in. diameter electrodes
Electrode sticks to work piece	<ol style="list-style-type: none"> 1. Arc length short 2. Amp setting low 	<ol style="list-style-type: none"> 1. Lift electrode to correct arc length as soon as arc is struck 2. Increase amp setting or change to smaller diameter electrode
Electrodes sputter and stick	Damp electrodes	Use dry electrodes and store in dry location

Limited 5-3-1 Warranty

1. Duration: The manufacturer warrants that it will repair, at no charge for parts or labor, the Welder, Welding Gun, or Cables, proven defective in material or workmanship, during the following time period(s) after date of original retail purchase:

For 5 Years: The Welder Transformer and Rectifier

For 3 Years: The Entire Welder (excluding clamps, welding gun, electrode holder, cables, or accessories packed with welder)

For 90 Days: The Welding Clamps, MIG Gun, Electrode Holder, Accessories, and Welding Cables (as applicable)

2. Who Gives This Warranty (Warrantor):

Campbell Hausfeld, a Scott Fetzer Company

100 Production Drive

Harrison, OH 45030 U.S.A.

Telephone: 1-800-746-5641

3. Who Receives This Warranty (Purchaser): The original purchaser of the Campbell Hausfeld product.

4. What is covered under this warranty: Defects in material and workmanship which occur within the duration of the warranty period. This warranty extends to the Welder, the Welders Transformer and Rectifier, Welding Gun or Electrode Holder, and cables only.

5. What is not covered under this warranty:

- A. Implied warranties, including those of merchantability and FITNESS FOR A PARTICULAR PURPOSE ARE LIMITED IN DURATION TO THIS EXPRESS WARRANTY. After this period, all risks of loss, from whatever reason, shall be on the purchaser. Some states do not allow limitations on how long an implied warranty lasts, so above limitations may not apply to you.
- B. ANY INCIDENTAL, INDIRECT, OR CONSEQUENTIAL LOSS, DAMAGE, OR EXPENSE THAT MAY RESULT FROM ANY DEFECT FAILURE OR MALFUNCTION OF THE CAMPBELL HAUSFELD PRODUCT. Some states do not allow limitations on how long an implied warranty lasts, so above limitations may not apply to you.
- C. This warranty does not apply to any accessory items included with the product which are subject to wear from usage; the repair or replacement of these items shall be at the expense of the owner. These MIG items include but are not limited to; Contact Tips, Nozzles, Gun Liners, Drive Rollers, Felt Wire Cleaner. In addition, this warranty does not extend to any damage caused by the untimely replacement or maintenance of any of the previously listed CONSUMABLE parts.
- D. Any failure that results from accident, purchaser's abuse, neglect or failure to operate products in accordance with instructions provided in the owner's manual(s) supplied with the product.
- E. Pre-delivery service, i.e. assembly and adjustment.

6. Responsibilities of Warrantor under this warranty: Repair or replace, at Warrantor's option, products or components which have failed within duration of the warranty period.

7. Responsibilities of purchaser under this warranty:

- A. Please call 1-800-746-5641 for warranty assistance
- B. Provide dated proof of purchase and maintenance records.
- C. All welders must be delivered or shipped to the nearest Campbell Hausfeld Authorized Service Center. Freight costs, if any, must be borne by the purchaser.
- D. Use reasonable care in the operation and maintenance of the products as described in the owner's manual(s).

8. When Warrantor will perform repair or replacement under this warranty: Repair or replacement will be scheduled and serviced according to the normal work flow at the servicing location, and depending on the availability of replacement parts.

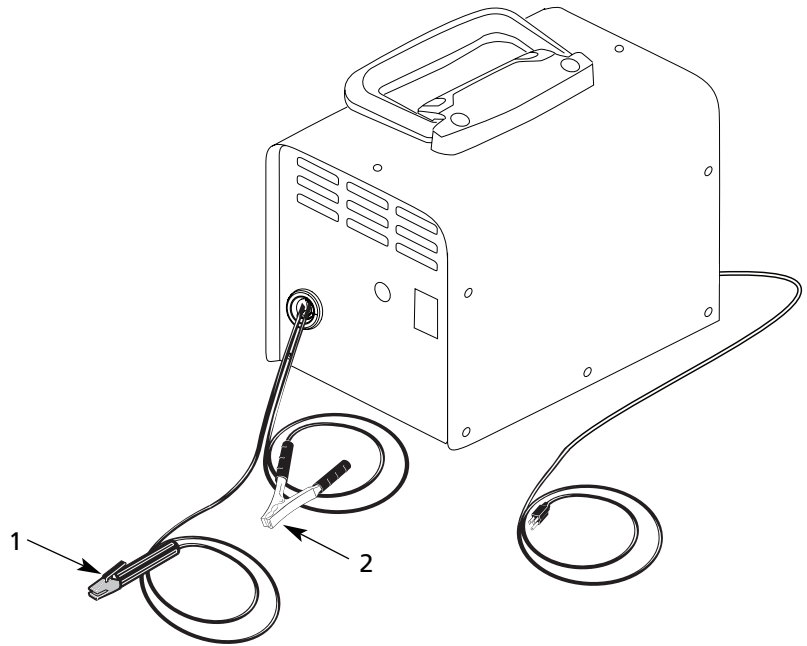
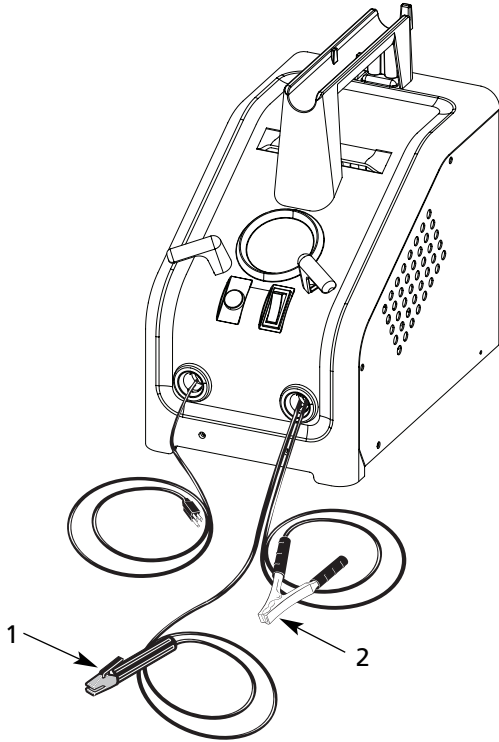
This Limited Warranty gives you specific legal rights and you may also have other rights which vary from state to state.

For replacement parts or technical assistance, call 1-800-746-5641

Please provide following information:

- Model number
- Serial number (if any)
- Part description and number as shown in parts list

Address parts correspondence to:
The Campbell Group/ Scott Fetzer
Attn: Parts Department
100 Production Drive
Harrison, OH 45030 U.S.A.



Replacement Parts List - Model WS0970 and WS0990

Ref No.	Description	Part Number	Qty
1	Electrode holder assembly (Cord not included)	WC200300AV	1
2	Work clamp (Cord not included)	WC100000AV	1
3	Safety decal for WS0970 (not shown)	DK687500AV	1
	Safety decal 1 of 2 for WS0990 (not shown)	DK687502AV	1
	Safety decal 1 of 2 for WS0990 (not shown)	DK687503AV	1
4	Optional - Chipping hammer/brush (not shown)	WC803400AV	+
5	Optional - Hand shield (not shown)	WC801700AV	+
6	Hand shield lens (not shown)	WC801100AV	+
7	Welding electrodes (not shown)		
	1/16 in. E6013 (0.5 lbs tube)	WE103501AV	+
	5/64 in. E6013 (0.5 lbs tube)	WE103002AV	+
	1/16 in. E7014 (0.5 lbs tube)	WE105502AV	+
	5/64 in. E7014 (0.5 lbs tube)	WE105001AV	+
	1/16 in. Autostrike (0.3 lbs tube)	WE110001AV	+
8	Welding helmet (not shown)		
	2 in. x 4-1/4 in. Viewing area	WT100500AV	+
	Auto-darkening	WT100600AV	+
+	Optional accessories (not included with welder)		

Glossary of Welding Terms

AC or Alternating Current - electric current that reverses direction periodically. Sixty cycle current travels in both directions sixty times per second.

Arc Length - the distance from the end of the electrode to the point where the arc makes contact with the work surface.

Base Metal - the material to be welded.

Butt Joint - a joint between two members aligned approximately in the same plane.

Crater - a pool, or pocket, that is formed as the arc comes in contact with the base metal.

DC or Direct Current - electric current which flows only in one direction. The polarity (+ or -) determines which direction the current is flowing.

DC Reverse Polarity - occurs when the electrode holder is connected to the positive pole of the welding machine. Reverse Polarity directs more heat into melting the electrode rather than the work piece. It is used on thinner material.

DC Straight Polarity - occurs when the electrode holder is connected to the negative pole of the welding machine. With straight polarity more heat is directed to the work piece for better penetration on thicker material.

Electrode - a coated metal wire having approximately the same composition as the material being welded.

Fillet Weld - approximately a triangle in cross-section, joining two surfaces at right angles to each other in a lap, T or corner joint.

Flux - the coating on arc-welding rods and in flux-cored welding wire that is consumed in the arc to produce a shielding gas. This gas displaces air and impurities from around the weld.

Flux Cored Arc Welding (FCAW) - also called Gasless, is a welding process used with a wire-feed welding machine. The weld wire is tubular with flux material contained inside for shielding.

Gas Metal Arc Welding (GMAW) - also called MIG, is a welding process used with a wire feed welding machine. The wire is solid and an inert gas is used for shielding.

Gas Tungsten Arc Welding (GTAW) - also called TIG, is a welding process used with welding equipment with a high frequency generator. The arc is created between a non-consumable tungsten electrode and the work piece. Filler metal may or may not be used.

Lap Joint - a joint between two overlapping members in parallel planes.

Open Circuit Voltage (OCV) - the voltage between the electrode and the work clamp of the welding machine when no current is flowing (not welding). The OCV determines how quickly the arc is struck.

Overlap - occurs when the amperage is set too low. In this instance, the molten metal falls from the electrode without actually fusing into the base metal.

Porosity - gas pockets, or cavities, formed during weld solidification. They weaken the weld.

Penetration - the depth into the work piece that has been heat effected by the arc during the welding process. A good weld achieves 100% penetration meaning that the entire thickness of the work piece has been heated and resolidified. The heat effected area should be easily seen on the opposite side of the weld.

Shielded Metal Arc Welding (SMAW) - also called Stick, is a welding process with uses a consumable electrode to support the arc. Shielding is achieved by the melting of the flux coating on the electrode.

Slag - a layer of flux soot that protects the weld from oxides and other contaminants while the weld is solidifying (cooling). Slag should be removed after weld has cooled.

Spatter - metal particles thrown from the weld which cool and harden on the work surface. Spatter can be minimized by using a spatter resistant spray on the work piece before welding.

Tack Weld - weld made to hold parts in proper alignment until final welds are made.

Travel Angle - the angle of the electrode in the line of welding. It varies from 5° to 45° depending on welding conditions.

T Joint - made by placing the edge of one piece of metal on the surface of the other piece at approximately a 90° angle.

Undercut - a condition that results when welding amperage is too high. The excessive amperage leaves a groove in the base metal along both sides of the bead which reduces the strength of the weld.

Weld Pool or Puddle - a volume of molten metal in a weld prior to its solidification as weld metal.

Weld Bead - a narrow layer or layers of metal deposited on the base metal as the electrode melts. Weld bead width is typically twice the diameter of the electrode.

Work Angle - the angle of the electrode from horizontal, measured at right angles to the line of welding.

S'il vous plaît lire et conserver ces instructions. Lire attentivement avant de monter, installer, utiliser ou de procéder à l'entretien du produit décrit. Se protéger ainsi que les autres en observant toutes les instructions de sécurité, sinon, il y a risque de blessure et/ou dégâts matériels! Conserver ces instructions comme référence.



Soudeur À L'Arc Au Métal Enrobé



Description

Ce soudeur à arc Campbell Hausfeld est conçu pour un courant résidentiel standard de 115 V. Il est doté d'un contrôle de sortie pour choisir avec exactitude le bon courant nécessaire pour diverses conditions de soudage. Les pièces internes sont protégées par un thermostat.

Ce soudeur peut souder de l'acier jusqu'à 3,2 mm (1/8 po) en une passe. La taille d'électrode recommandée est 1,6 mm (1/16 po) de diamètre pour un circuit de 15 A, jusqu'à 1,98 mm (5/64 po) de diamètre pour les circuits de 20 A. Pour des électrodes de rechange, composer le (800) 746-5641 pour le marchand dans votre quartier.

Déballage

Lors du déballage, l'examiner soigneusement pour rechercher toute trace de dommage susceptible de s'être produit en cours de transport. Rapporter tout dommage ou pièces manquantes en composant le 1-800-746-5641.

Exigences De Circuit

⚠ ATTENTION

Cet équipement

requiert un circuit de 115 V unique. Se référer au tableau suivant pour le disjoncteur ou la classification de fusible correcte. Ne pas faire fonctionner autres appareils, lampes, ou outils sur ce circuit pendant l'utilisation de cet équipement. Les cordons prolongateurs ne sont pas recommandés. Manque de suivre ces recommandations peut avoir comme résultat, fusibles sautés et disjoncteurs déclenchés.

Réglage de chaleur	Disjoncteur ou Fusée à Retardement	
Bas	15 A	
Élevé	20 A	

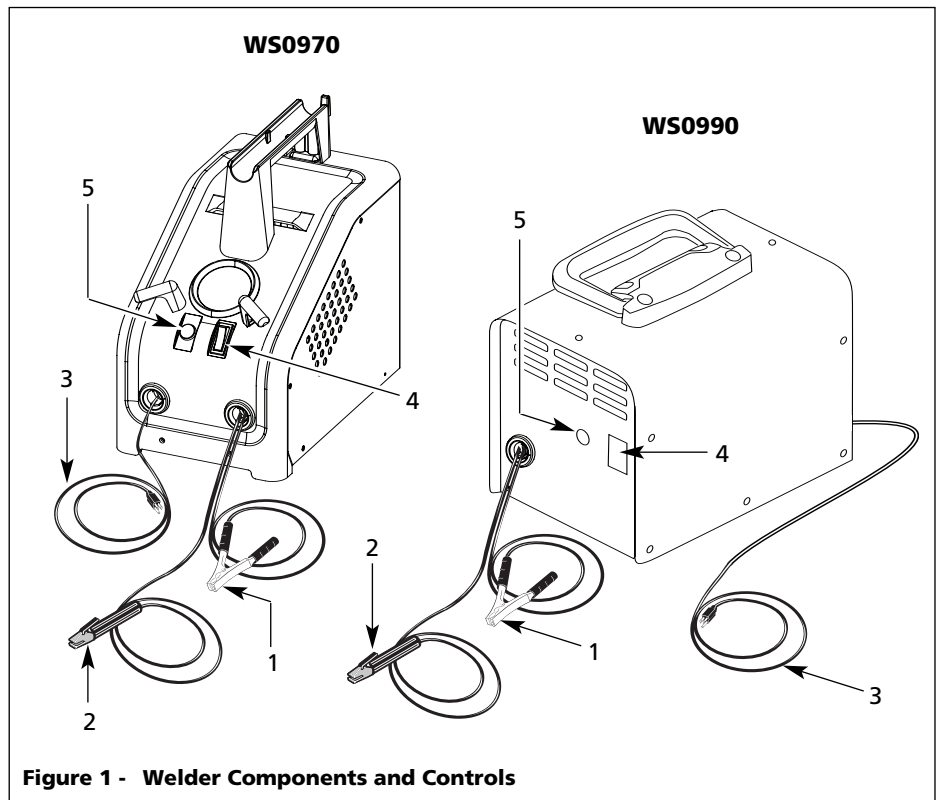


Figure 1 - Welder Components and Controls

Pièces Détachées Et Commandes

1. Collier de mise à la terre - fixer à l'objet de travail
2. Porte-électrode - tient l'électrode
3. Cordon d'alimentation - brancher dans une prise de courant de 115 V.
4. Interrupteur - High/Off/Low (Élevé/arrêt/bas).
5. Voyant - le voyant s'active si le thermostat éteint automatiquement l'appareil.

Généralités sur la Sécurité

⚠ DANGER

Manque de suivre cet avertissement de danger causera la perte de vie ou blessures graves.

⚠ AVERTISSEMENT

Manque de suivre cet avertissement peut causer la perte de vie ou blessures graves.

MÉMENTO: Gardez votre preuve datée d'achat à fin de la garantie!
Joignez-la à ce manuel ou classez-la dans un dossier pour plus de sécurité.

Généralités sur la Sécurité (suite)

⚠️ ATTENTION *Manque de suivre*

cet avertissement d'attention peut causer des blessures (petites ou moyennes) ou du dommage matériel.

REMARQUE: Remarque indique de l'information additionnel concernant le produit ou son utilisation.

⚠️ AVERTISSEMENT

Toujours avoir un extincteur d'incendie disponible pendant le soudage à arc.



- Lire et comprendre toutes les instructions avant de démarrer un soudeur à l'arc électrique ou de procéder à son entretien. Manque de suivre les précautions et instructions de sécurité peut avoir comme résultat: blessures graves, perte de vie ou dommage à l'équipement.
- Tout installation, entretien, réparation et utilisation de cet équipement doit être effectué par les personnes qualifiées conformément aux codes nationaux, provinciaux et locaux.

⚠️ AVERTISSEMENT

L'utilisation incorrecte des soudeurs à l'arc peut avoir comme résultat, secousse électrique, blessure, et perte de vie! Suivre toutes les précautions indiquées dans ce manuel afin de réduire le risque de secousse électrique.



- S'assurer que toutes les pièces détachées du soudeur à l'arc soient propres et en bon état avant d'utiliser le soudeur. S'assurer que l'isolation sur tous câbles, porte-électrodes et cordons d'alimentation n'est pas endommagé. Toujours réparer ou remplacer les pièces détachées endommagées avant d'utiliser le soudeur. Toujours garder les panneaux et couvercles de soudage en place pendant le fonctionnement du soudeur.
- Toujours porter des vêtements protecteurs et gants de soudage secs, et des chaussures isolantes.

- Toujours utiliser le soudeur dans un endroit propre, sec et bien ventilé. Ne jamais utiliser un soudeur dans un endroit humide, trempe, pluvieux ou mal-ventilé.
- S'assurer que l'objet sur lequel vous travaillez soit bien fixé et mis à la terre correctement avant de commencer votre soudage électrique à l'arc.
- Le câble de soudage roulé devrait être étendu avant l'utilisation afin d'éviter le surchauffage et dommage à l'isolation.

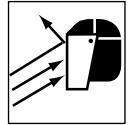
⚠️ DANGER

Ne jamais immerger l'électrode ou le porte-électrode dans l'eau. Si le soudeur devient trempé, il est nécessaire qu'il soit complètement sec et propre avant l'utilisation!

- Toujours mettre l'équipement hors circuit (off) et le débrancher avant de le déplacer.
- Toujours brancher le conducteur de travail en premier lieu.
- Vérifier que l'objet de travail soit mis à la terre correctement.
- Toujours mettre l'équipement de soudage électrique à l'arc hors circuit s'il n'est pas en usage et enlever l'électrode du porte-électrode.
- Ne jamais permettre que votre corps touche l'électrode et le contact à la terre, ni l'objet de travail mis à la terre simultanément.
- Les conditions et positions de soudage difficiles peuvent poser des hasards électriques. Si vous êtes accroupis, à genoux ou situé aux élévations, s'assurer que toutes pièces conductrices soient isolées. Porter des vêtements protecteurs convenables et prendre ses précautions contre les chutes.
- Ne jamais essayer d'utiliser cet équipement aux réglages de courant ou facteurs d'utilisation plus élevés que ceux indiqués sur les étiquettes de l'équipement.
- Ne jamais utiliser un soudeur électrique à l'arc pour dégeler les tuyaux congelés.

⚠️ AVERTISSEMENT

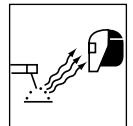
Les étincelles volantes et le métal chaud peuvent causer des blessures. La scorie peut s'échapper pendant le refroidissement des soudures. Suivre toutes les directives et précautions indiquées dans ce manuel pour réduire la possibilité de blessures causées par les étincelles volantes et le métal chaud.



- Porter un masque de soudure approuvé par ANSI ou des lunettes protectrices avec écrans protecteurs de bords pendant le burinage ou l'ébarbage des pièces en métal.
- Utiliser des protège-tympons pour le soudage aérien afin d'éviter que la scorie ou la bavure tombe dans les oreilles.

⚠️ AVERTISSEMENT

Le soudage électrique à l'arc produit la lumière et la chaleur intense ainsi que les rayons ultraviolets (UV). Cette lumière intense et ces rayons UV peuvent causer des blessures aux yeux et à la peau. Prenez toutes précautions indiquées dans ce manuel afin de réduire la possibilité de blessures aux yeux et à la peau.



- Toutes personnes qui utilisent cet équipement ou qui sont présentes là où l'équipement est utilisé doivent porter des vêtements de soudage protecteurs y compris: masque ou casque de soudeur ou écran avec lentille filtrante de classification d'au moins 10, vêtements incombustibles, gants de soudeur en cuir, et protection complète pour les pieds.

⚠️ AVERTISSEMENT

Ne jamais observer le soudage sans protection pour les yeux indiqué ci-dessus. Ne jamais utiliser une lentille filtrante qui est fendue, cassée, ou classifiée moins que le numéro 10. Avertir les autres personnes dans l'endroit de ne pas observer l'arc.

⚠️ AVERTISSEMENT

Le soudage électrique à l'arc produit des étincelles et chauffe le métal aux températures qui peuvent causer des brûlures sévères! Utiliser des gants et vêtements protecteurs pendant n'importe quel travail de métal. Prenez toutes les précautions indiquées dans ce manuel afin de réduire la possibilité de brûlures de peau ou de vêtements.



Généralités sur la Sécurité (suite)

- S'assurer que toutes personnes dans l'endroit de soudage soient protégées contre la chaleur, les étincelles et les rayons ultraviolets. Utiliser des écrans de visage additionnels et écrans coupe-feu là où nécessaire.
- Ne jamais toucher les objets de travail avant qu'ils se refroidissent complètement

⚠ AVERTISSEMENT

La chaleur et les étincelles qui sont produits pendant le soudage électrique à l'arc et autres travaux de métal peuvent allumer les matériaux inflammables et explosifs! Prenez toutes précautions indiquées dans ce manuel afin de réduire la possibilité de flammes et d'explosions.



- Enlever tous matériaux inflammables à moins de 35 pieds (10.7 mètres) de l'arc de soudage. Si ceci n'est pas possible, couvrir les matériaux inflammables avec des couvertures incombustibles.
- Ne pas utiliser un soudeur électrique à l'arc dans les endroits qui contiennent des vapeurs inflammables ou explosifs.
- Prenez toutes précautions pour s'assurer que les étincelles volantes et la chaleur ne produisent pas de flammes dans des endroits cachés, fentes, à l'arrière des cloisons, etc.

⚠ AVERTISSEMENT

Risque d'incendie! Ne pas souder les récipients ni les tuyaux qui contiennent ou ont contenu des matériaux inflammables ou combustibles gazeux ou liquides.



⚠ AVERTISSEMENT

Le soudage à l'arc des cylindres ou récipients fermés tels que les réservoirs et bidons peuvent causer une explosion s'ils ne sont pas bien ventilés! Vérifier qu'il y ait un trou de ventilation suffisant dans n'importe quel cylindre ou récipient pour permettre la ventilation des gaz en expansion.



PROPOSITION 65 CALIFORNIE

⚠ DANGER

Ce produit, utilisé pour la soudure, produit des vapeurs ou gaz qui contiennent des produits chimiques prouvés par l'État de Californie de provoquer des défaits de naissance (ou autre tort aux organes de la reproduction), et en quelques circonstances, le cancer. (le code California Health & Safety Code Section 25249.5 et seq').

⚠ AVERTISSEMENT

Ce produit et son cordon contient du plomb, un produit chimique qui de l'avis de l'État de Californie peut causer le cancer et des anomalies congénitales ou d'autres problèmes pour la reproduction. Se laver les mains après toute manipulation.

⚠ AVERTISSEMENT

Ne pas inspirer les vapeurs qui sont produits par le soudage à l'arc. Ces vapeurs sont dangereuses. Utiliser un respirateur si l'endroit de soudage n'est pas bien ventilé.



- Garder la tête et le visage hors des vapeurs de soudage.
- Ne pas exécuter le soudage électrique à l'arc sur les métaux qui sont galvanisés ou plaqués en cadmium, ou qui contiennent le zinc, le mercure, ou le beryllium sans suivre les précautions suivantes:
 - a. Enlever l'enduit du métal commun.
 - b. S'assurer que l'endroit de soudage soit bien ventilé.
 - c. Utiliser un respirateur à air fournit.
 Des vapeurs extrêmement toxiques sont produites pendant le chauffage de ces métaux.

⚠ AVERTISSEMENT

Le champ électromagnétique qui est produit pendant le soudage à l'arc peut causer de l'interférence avec le fonctionnement de plusieurs appareils électriques tels que les pacemakers cardiaques. Toutes personnes qui utilisent ces appareils doivent consulter leur médecin avant d'exécuter le soudage électrique à l'arc.



- Router l'électrode et les câbles ensemble et les fixer avec du ruban adhésif là où possible.

- Ne jamais envelopper les câbles de soudage à l'arc autour de votre corps.
- Toujours situer l'électrode et les conducteurs de terre afin qu'ils soient sur le même côté de votre corps.
- L'exposition aux champs électromagnétiques peut avoir autres réactions inconnues concernant la santé.

⚠ AVERTISSEMENT *Toujours s'assurer*

que l'endroit de soudage soit en état sûr et sans risques (étincelles, flammes, métal chauffé au rouge ou scorie) avant de partir. S'assurer que l'équipement soit hors circuit et que l'électrode soit enlevée. S'assurer que les câbles soient roulés (sans serrer) et hors du chemin. S'assurer que tout métal et scorie soient refroidis.

NORMES DE SÉCURITÉ ADDITIONNELLES

Norme ANSI Z49.1 de l' American Welding Society, 550 N.W. LeJune Rd. Miami, FL 33126

Safety and Health Standards (Normes de Sécurité et de Santé)

OSHA 29 CFR 1910, du Superintendent of Documents, U.S. Government Printing Office, Washington, D.C. 20402

National Electrical Code (Code Électrique National)

Norme NFPA 70, du National Fire Protection Association, 1 Batterymarch Park, Quincy, MA 02169

Safe Handling of Compressed Gases in Cylinders (Manipulation Sûre des Gaz Comprimés en Cylindres)

CGA Pamphlet P-1, du Compressed Gas Association, 1235 Jefferson Davis Highway, Suite 501, Arlington, VA 22202

Code for Safety in Welding and Cutting (Code de Sécurité pour le Soudage et le Coupage)

Norme CSA W117.2, du Canadian Standards Association, Standards Sales, 178 Rexdale Boulevard, Rexdale, Ontario, Canada M9W 1R3

Cutting And Welding Processes (Procédés de Coupage et de Soudage)

Généralités sur la Sécurité (suite)

Norme NFPA 51B, du National Fire Protection Association, 1 Batterymarch Park, Quincy, MA 02169

Safe Practices For Occupational And Educational Eye And Face Protection (Règlements Professionnels et D'Éducation de Sécurité pour la Protection des Yeux et du Visage)

Norme ANSI Z87.1, de l'American National Standards Institute, 1430 Broadway, New York, NY 10018

Se référer aux Material Safety Data Sheets (Données De Sécurité) et les instructions du fabricant pour métaux, électrodes, enduits et produits pour le nettoyage.

Installation

ENDROIT

La sélection d'un bon endroit peut augmenter le rendement, sûreté de fonctionnement et la vie du soudeur à arc.

- Pour un meilleur résultat, situer le soudeur dans un endroit propre et sec. La poussière et la saleté dans le soudeur conservent l'humidité et augmente l'usure des pièces mouvantes.
- Entreposer les électrodes dans un endroit propre et sec avec humidité basse pour conserver le fini du flux.
- Le récipient utilisé pour le soudeur doit être mis à la terre correctement et le soudeur doit être le seul appareil de charge sur le circuit. Se référer au tableau d'Ampérage de Circuit à la page 13 pour la capacité correcte du circuit.
- L'usage d'un cordon prolongateur n'est pas recommandé pour les soudeurs électriques à l'arc. La perte de tension dans le cordon prolongateur peut réduire le rendement du soudeur.

Montage

MASQUE À MAIN (OPTIONNELS)

1. Éloigner la poignée amovible du masque. Couper l'excès de plastique pour enlever les bords tranchants.

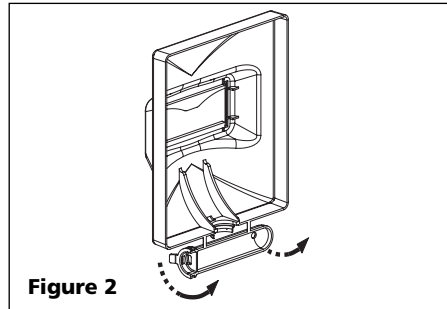


Figure 2

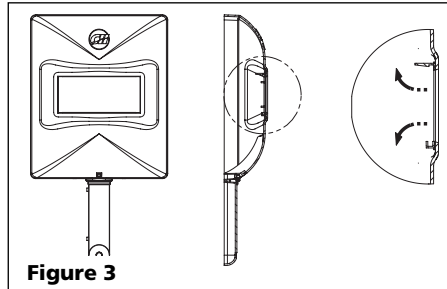


Figure 3

2. Introduire la lentille filtrante.

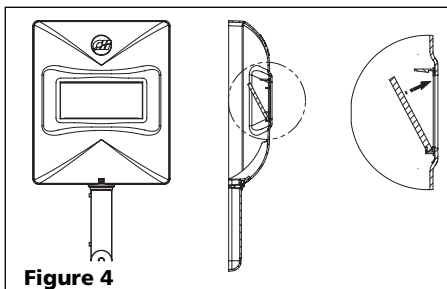


Figure 4

3. Pour fixer le manche, placer le masque à main sur une surface nivelée et appuyer sur le manche jusqu'à ce qu'il soit en place. (Voir Figure 5).

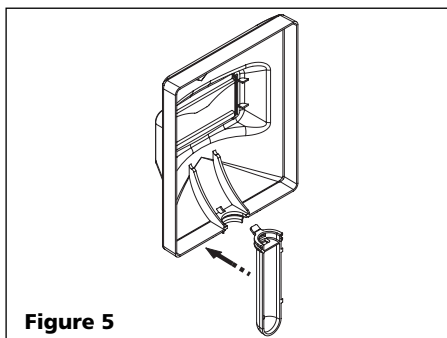


Figure 5

REMARQUE: Si vous n'avez jamais utilisé un soudeur ou si vous avez peu d'expérience, il est recommandé que vous utilisez un masque qui couvre complètement votre visage. Les deux mains sont nécessaires pour stabiliser et contrôler l'angle et la longueur de l'arc de l'électrode.

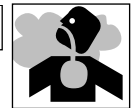
Fonctionnement

1. Lire, comprendre, et suivre toutes les précautions dans la section Généralités Sur La Sécurité de ce manuel. Lire la section Directives De Soudage dans ce manuel avant d'utiliser l'équipement.
2. Couper la puissance au soudeur et le brancher dans la prise appropriée: 115V-15 A - Bas 115V-20 A - Élevé
3. Vérifier que les surfaces du métal soient libre de saleté, rouille, peinture, huile, écailles ou autres polluants avant de les souder ensemble. Ces polluants peuvent causer de mauvaises soudures.



⚠️ AVERTISSEMENT

Toutes les personnes utilisant cet équipement ou près de l'équipement en marche doivent porter une protection pour la soudure y compris une protection oculaire avec lentille ombrée teinte 10 au moins, des vêtements ignifuges, des gants de soudure de cuir et une protection complète pour les pieds.



⚠️ AVERTISSEMENT

Pour le chauffage, soudage ou coupage des matériaux galvanisés, plaqué en zinc, plomb, ou en cadmium, se référer à la section Généralités Sur La Sécurité pour plus d'informations. Les vapeurs extrêmement toxiques sont produites pendant le chauffage de ces métaux.

4. Raccorder la pince de soudeur à l'objet de travail. S'assurer que le contact soit au métal nu, non-pollué par la peinture, le vernis, la corrosion, ou autres matériaux non-métalliques.
5. Loger la pièce exposée de l'électrode (le bout sans flux) dans les mâchoires du porte-électrode.

⚠️ AVERTISSEMENT

Le porte-électrode et l'électrode sont maintenant "chauds" (courant actif) quand le soudeur est en marche.

⚠️ AVERTISSEMENT

La mise à la terre contre n'importe quelle surface métallique peut produire un arc qui peut causer des étincelles et endommager les yeux.

Diamètre D'Électrode	Réglage de sortie
1/16 po (1,6 mm)	Bas
5/64 po (2 mm)	Élevé

- Tenir l'électrode loin de l'établi et de la pièce de travail mise à la terre. Mettre le soudeur à Élevé ou Bas. Se reporter au tableau suivant pour le réglage de sortie approprié.
- Tenir l'électrode en position de soudage, baisser le casque de soudeur ou mettre le masque à main en position et amorcer un arc. Ajuster le réglage de sortie au besoin.
- Mettre le soudeur hors circuit et l'entreposer correctement lorsque vous avez fini de souder.

FACTEUR D'UTILISATION / PROTECTION THERMOSTATIQUE

Le facteur d'utilisation de soudage est le pourcentage du temps de soudage actuel qui peut se passer dans un interval de dix

minutes. Par exemple, le soudage actuel peut se produire pour une minute à un facteur d'utilisation de 10%, et ensuite, le soudeur doit se refroidir pour neuf minutes.

Les pièces détachées internes de ce soudeur sont protégées contre le surchauffage avec un interrupteur automatique thermique. Un voyant jaune s'allume sur le panneau avant si le cycle de service est dépassé. Continuer avec le soudage quand la lampe n'est pas allumée.

Entretien

⚠ AVERTISSEMENT Débrancher et mettre la machine hors circuit avant de vérifier ou de procéder à l'entretien de n'importe quelle pièce détachée

Avant chaque usage:

- Vérifier la condition des câbles de soudage et réparer ou remplacer immédiatement, les câbles qui ont de l'isolation endommagé.

- Vérifier la condition du cordon d'alimentation et le réparer ou remplacer immédiatement si endommagé.
- Vérifier la condition des pièces isolantes du porte-électrode et remplacer les isolateurs fendus ou manquants immédiatement. S'assurer que toutes attaches soient serrées et isolées.

⚠ AVERTISSEMENT Ne pas utiliser ce soudeur si l'isolation sur les câbles de soudage, le porte-électrode, ou le cordon d'alimentation est fendu ou manquant.

Chaque 3 mois:

Remplacer toutes étiquettes qui ne sont pas lisibles sur le soudeur. Utiliser de l'air comprimé pour souffler toute la poussière des ouvertures de ventilation.

Directives De Soudage

Généralités

Cet appareil de soudure utilise une procédure connue sous le nom de soudage avec électrodes enrobées (Shielded Metal-Arc Welding SMAW). Ce procédé est utilisé pour unir des métaux en les rechauffant d'un arc électrique créée entre une électrode et l'objet sur lequel vous travaillez.

Les électrodes utilisées pour le soudage à l'arc au métal couvert ont deux pièces. Le centre est une baguette en métal ou un fil qui devrait être semblable en composition au métal commun. L'enrobage extérieur est appelé le flux. Une variété de flux peut être utilisée selon la situation.

Une fois fondu, le métal peut devenir contaminé par les éléments dans l'air. Cette contamination peut affaiblir la soudure. L'enrobage de flux crée une barrière protectrice appelée scorie qui protège le métal fondu contre les polluants.

Quand le courant (ampérage) passe du circuit à l'électrode, un arc est produit entre le bout de l'électrode et l'objet de travail. L'arc fond l'électrode et la pièce de travail. Le métal fondu de l'électrode s'écoule dans le cratère fondu et produit un adhérence à l'objet comme indiqué dans la Figure 6.

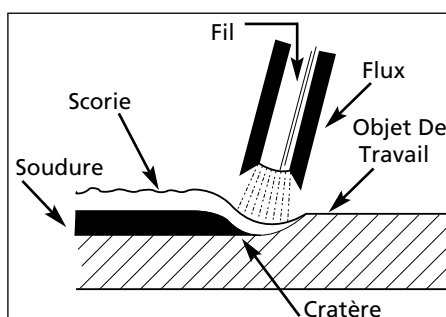


Figure 6 - Composantes de la soudure

REMARQUE: N'utiliser pas et mettre au rebut les électrodes qui se sont brûlées 1 à 2 pouces du porte-électrode

AMORÇAGE D'UN ARC

Fixer la pince de travail à la pièce. Les mâchoires de la pince doivent être en

contact avec le métal nu propre de la pièce à travailler pour de bons résultats de soudure.

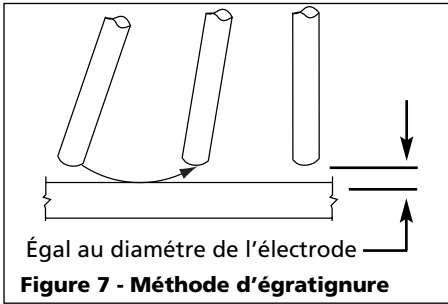
Placer le bout nu de l'électrode dans le porte-électrode. Tenir le porte-électrode légèrement afin de réduire la fatigue à votre main et bras.

REMARQUE: Toujours tenir les mâchoires du porte-électrode propres pour assurer un bon contact électrique avec l'électrode.

⚠ AVERTISSEMENT Prendre soin de ne pas toucher l'atelier de soudage ni l'objet de travail avec l'électrode. Ceci peut causer des étincelles.

La meilleure méthode d'amorcer un arc est la méthode d'égratignure. Tirer l'électrode à un angle le long de la surface comme vous frotterez une allumette pour l'allumer. Lorsque vous contactez la plaque, soulever l'électrode environ 1,6 mm (1/16 po) de la surface, sinon elle se collera (Voir Figure 7).

Directives De Soudage (suite)



REMARQUE: Si l'électrode se colle à l'objet de travail, la dégager en tortillant rapidement ou en pliant et levant à l'endroit du porte-électrode. Si l'électrode ne se dégage pas, la débrayer en la lâchant du porte-électrode.

TYPE ET TAILLE D'ÉLECTRODE

Deux types d'électrodes sont recommandées pour l'usage avec ce soudeur. Les électrodes sont désignées comme suit par l'AWS (American Welding Society):

1. E-6013 TOUS USAGES

- Pour toutes positions, dépôt lisse et peu d'éclaboussures
- Pour tous types d'acier doux et pour les travaux généraux.

2. E-7014 REMPLISSAGE RAPIDE

- Cordon de soudure lisse et dépôt rapide
- Idéal là où les joints ne se rencontrent pas parfaitement et pour les réparations générales.

REMARQUE: E-6011 et E-7018 ne sont pas recommandés pour l'usage avec ces soudeurs. Le diamètre d'électrode recommandé est 1,6 mm (1/16 po) ou 1,98 mm (5/64 po). Composer le (800) 746-5641 pour leur disponibilité.

Généralités De Soudage à L'Arc

Il y a quatre techniques de base qui agissent sur la qualité de soudure: réglage de l'ampérage, angle de soudure, longueur de l'arc et la vitesse de déplacement. De bonnes techniques sont nécessaires pour des soudures de bonne qualité.

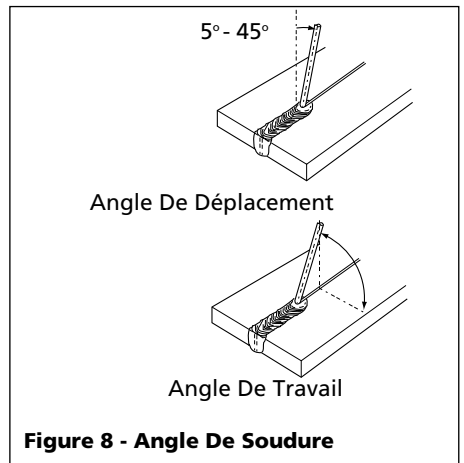
RÉGLAGE D'AMPÉRAGE

L'ampérage correcte implique l'ajustement du soudeur au réglage en ampères requis. Pour ce faire choisir le réglage approprié (bas ou élevé). L'ampérage dépend sur la taille (diamètre) de l'électrode utilisé et l'épaisseur de l'objet de travail.

Des courants excessifs brûlent les métaux légers et le boudin de soudure est plat et poreux (voir la figure 9). Le boudin semble haut et irrégulier si le courant est trop faible.

ANGLE DE SOUDURE

L'angle de soudure est l'angle de l'électrode pendant le soudage. L'utilisation de l'angle correct assure la pénétration et la formation du cordon de soudure exigé. L'angle de l'électrode comprend deux positions - l'angle de déplacement et l'angle de travail. (Voir Figure 8).



REMARQUE: La largeur du cordon de soudure (W) devrait être environ deux fois le diamètre de la baguette de l'électrode utilisé

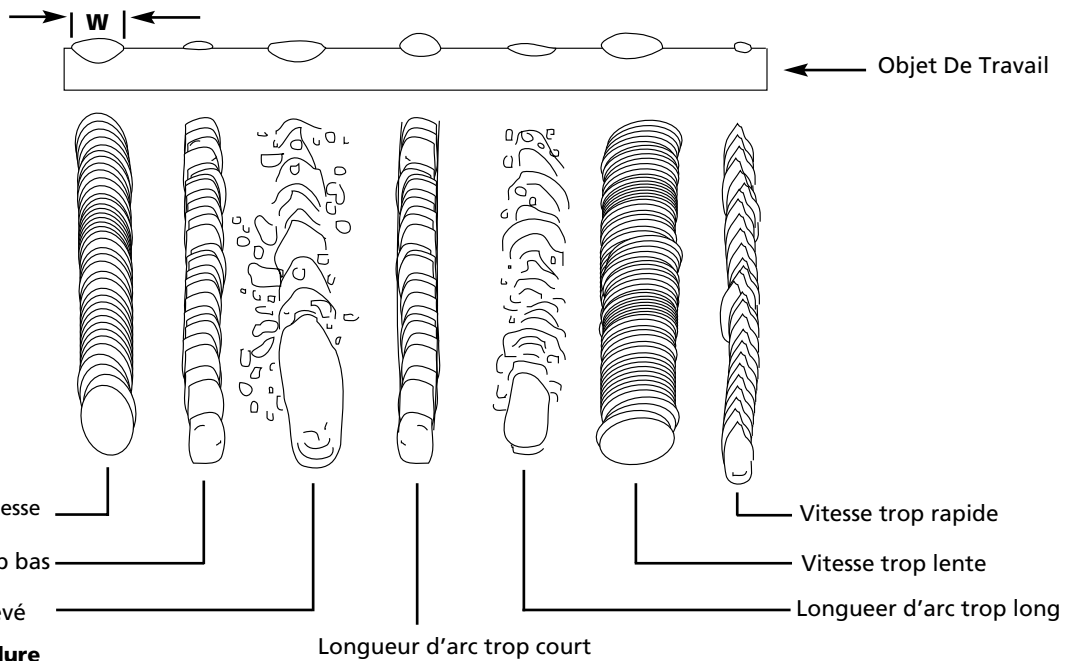


Figure 9 - Apparence de la Soudure

Directives De Soudage (suite)

L'angle de déplacement est l'angle situé dans la ligne de la soudure et peut varier entre 5° à 45° du vertical selon les conditions de soudage.

L'angle de travail est l'angle du horizontal, mesuré aux angles droits à la ligne de soudage.

Un angle de travail de 45° et un angle de déplacement de 45° sont suffisant pour la plupart des applications. Pour les usages spécifiques, consulter un manuel d'enseignement de soudage.

REMARQUE: Les soudeurs droitiers devraient souder de la gauche à la droite. Les soudeurs gauchers devraient souder de la droite à la gauche. L'électrode devrait toujours être dirigée vers la flaque de la soudure comme indiqué.

LONGUEUR DE L'ARC

La longueur de l'arc est la distance de l'objet de travail jusqu'au bout de l'électrode; la distance de voyage de l'arc. Une longueur d'arc correcte est nécessaire pour la production de chaleur exigée pour le soudage (Voir Figure 9). Un arc qui est trop long produit un arc instable, réduit la pénétration, augmente l'éclaboussage, et produit des cordons de soudure plats et larges. Un arc trop court ne produit pas assez de chaleur pour fondre l'objet de travail, l'électrode se colle facilement, la pénétration n'est pas suffisante, et les cordons de soudure sont inégaux avec des ondulations irrégulières. L'arc ne devrait pas être plus large que le diamètre de la baguette de l'électrode et son bruit devrait être un grésillement constant comme le grésillement du bacon.

VITESSE DE DÉPLACEMENT

La vitesse de déplacement indique la vitesse que l'électrode est dirigée au long de la surface de soudage (Voir Figure 9). Si la vitesse est trop rapide, le cordon est étroit et les ondulations du cordon sont pointus comme indiqué. Si la vitesse est trop lente, la soudure se tasse et le cordon est haut

et large. Pour régler la vitesse de déplacement, observer la largeur du cordon de soudure (et non l'arc) pendant la soudure. Le cordon de soudure est le métal fondu orange derrière l'arc. Il devrait être deux fois le diamètre de la baguette d'électrode. Régler la vitesse de déplacement afin d'obtenir un cordon de largeur uniforme.

ENLEVAGE DE SCORIE

⚠ AVERTISSEMENT *Porter des lunettes protectrices approuvées ANSI (ANSI Standard Z87.1) et des vêtements protecteurs pendant l'enlèvement du scorie chaud. Le débris chaud et volant peut causer de blessures aux personnes dans l'endroit.*

Après d'avoir complété la soudure, attendre que les sections de soudage se refroidissent. Une couche protectrice appelée scorie couvre le cordon de soudure qui empêche la réaction du métal fondu avec les polluants dans l'air. La scorie peut être enlevée une fois que la soudure s'est refroidie jusqu'à ce qu'elle ne soit plus rouge. Enlever la scorie légèrement avec le marteau et la dégager du cordon de soudure. Finir avec une brosse métallique. Pour plusieurs passes de soudure, retirer les scories entre chaque passe.

POSITIONS DE SOUDAGE

Il y a quatre positions générales de soudage: plate, horizontale, verticale et aérienne. Le soudage dans une position plate est la plus facile car la vitesse peut être augmentée, le métal fondu coule moins, une meilleure pénétration est possible, et le travail est moins fatiguant.

Autres positions exigent autres techniques tels que le tissage, passe circulaire, et jogging. Un niveau élevé de compétence est exigé pour ces soudures.

Tout travail devrait être effectué dans la position plate, si possible. Pour des applications particulières, consulter un guide de soudure à l'arc.

PASSES DE SOUDAGE

Quelque fois il est nécessaire d'utiliser plus d'une passe pour remplir le joint. La première passe est la passe de base, suivie par la passe de remplissage et la passe de finition (Voir Figure 10). Si les morceaux sont épais, il peut être nécessaire de bisauter les bords qui sont joints à un angle de 60°. Se rappeler d'enlever les scories entre chaque passe.

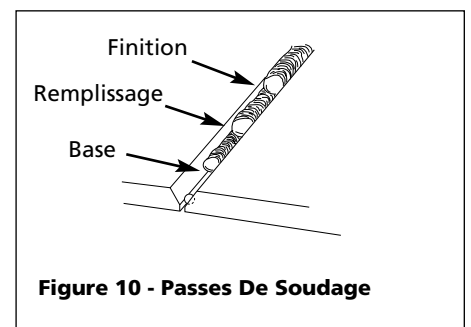


Figure 10 - Passes De Soudage

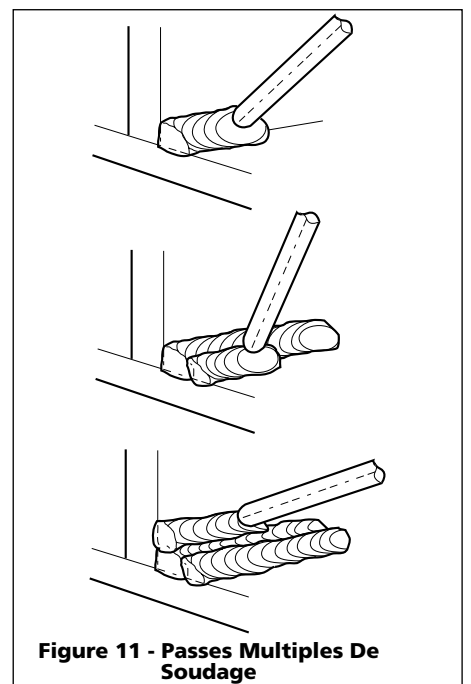


Figure 11 - Passes Multiples De Soudage

Pour Plus D'Informations, Composer 1-800-746-5641

Guide De Dépannage - Soudeur

Symptôme	Cause(s) Possible(s)	Mesures Correctives
Le soudeur ne ronron pas quand il est mis en marche	<ol style="list-style-type: none"> 1. Manque de puissance à la prise de courant 2. Cordon d'alimentation endommagé 	<ol style="list-style-type: none"> 1. Vérifier le fusible de circuit ou le disjoncteur 2. Faire réparer le cordon d'alimentation
Le soudeur ronron, mais ne soude pas	<ol style="list-style-type: none"> 1. Courant insuffisant à l'électrode 2. Mauvais raccordements au soudeur 	<ol style="list-style-type: none"> 1. Vérifier le collier de mis à la terre, le câble et son raccordement à l'objet de travail. Vérifier le câble d'électrode et le collier 2. Vérifier tous raccordements externes du soudeur
Le soudeur donne des chocs à goutte	<ol style="list-style-type: none"> 1. Contact accidentel avec l'objet de travail 2. Perte de courant causé par les vêtements ou endroit de travail humides 	<ol style="list-style-type: none"> 1. Éviter le contact avec l'objet de travail 2. S'assurer que vos vêtements et l'endroit de travail soient secs
Le soudeur surchauffe - fait sauter les fusibles, déclenche le disjoncteur	<ol style="list-style-type: none"> 1. Utilisation d'un cordon prolongateur 2. Diamètre d'électrode trop large 3. Circuit surchargé 	<ol style="list-style-type: none"> 1. Déplacer le soudeur si possible afin d'éviter l'usage d'un cordon prolongateur, sinon, utiliser un cordon prolongateur plus épais (N° de calibre plus bas) 2. Utiliser un électrode de diamètre plus petit 3. Le soudeur requiert un circuit unique de 115V
Arc difficile à amorcer	<ol style="list-style-type: none"> 1. Électrode incorrecte 2. Diamètre d'électrode trop large 3. Objet de travail pas mis à la terre correctement 4. Basse tension causée par le surcharge 	<ol style="list-style-type: none"> 1. Vérifier que l'électrode soit fabriquée pour l'usage avec un courant alternatif (c.a.) 2. Utiliser un électrode de diamètre plus petit 3. Vérifier la mise à la terre correcte (Pas de peinture, vernis ou corrosion) 4. Faire fonctionner le soudeur sur un circuit unique de 115V

Guide De Dépannage - Soudures

Symptôme	Cause(s) Possible(s)	Mesures Correctives
Cordon de soudure est trop mince ou trop épais par intervalles	<ol style="list-style-type: none"> 1. Vitesse de déplacement irrégulière 2. Réglage incorrect d'ampérage de sortie 	<ol style="list-style-type: none"> 1. Observer avec attention et contrôler la largeur du cordon de soudure 2. Régler l'ampérage de sortie ou utiliser un électrode ayant un diamètre plus petit
Enfoncements en lambeaux au bord de la soudure	<ol style="list-style-type: none"> 1. Vitesse de déplacement trop rapide 2. L'arc est trop courte 3. Réglage de l'ampérage de sortie trop haut 	<ol style="list-style-type: none"> 1. Observer le dépôt de soudure en fusion orange et contrôler la largeur du cordon de soudure 2. Se pratiquer en passant l'électrode sur l'objet de travail lorsque le soudeur est hors circuit OFF 3. Réduire le réglage de l'ampérage de sortie
Le cordon de soudure ne pénètre pas l'objet de travail	<ol style="list-style-type: none"> 1. Vitesse de déplacement irrégulière 2. Réglage de l'ampérage de sortie trop bas 3. Diamètre d'électrode trop large 	<ol style="list-style-type: none"> 1. Diminuer et conserver une vitesse de déplacement constante 2. Augmenter le réglage d'ampérage de sortie ou changer à une électrode de diamètre plus petit 3. Électrodes recommandées d'un diamètre de 1/16 po ou 5/64 po.
L'électrode se colle à l'objet de travail	<ol style="list-style-type: none"> 1. Arc trop court 2. Ampérage réglé trop bas 	<ol style="list-style-type: none"> 1. Soulever l'électrode pour corriger la longueur de l'arc aussitôt que l'arc se colle 2. Augmenter le réglage d'ampères ou changer à un électrode de diamètre plus petit
Les électrodes crachent et se collent	Électrodes humides	Utiliser des électrodes sèches et les entreposer dans un endroit sec

Garantie Limitée 5-3-1

1. Durée: Le fabricant garantit la réparation, sans frais pour les pièces et main-d'oeuvre, le Soudeur, le Pistolet Soudeur, Câbles, qui se sont révélés défectueux en matière ou fabrication, pendant les durées suivantes après la date d'achat initial:

Pour 5 Ans: Le Transformateur de Soudeur et Redresseur

Pour 3 Ans: Le Soudeur En Entier (à l'exclusion des colliers, pistolet, câbles, ou accessoires emballés avec le soudeur)

Pour 90 Jours: Colliers De Mise À La Terre, Pistolet MIG, Porte-électrodes, Accessoires, et Câbles de Soudage (si applicable)

2. Garantie Accordée Par (Garant):

Campbell Hausfeld, a Scott Fetzer Company

100 Production Drive

Harrison, OH 45030 U.S.A.

Telephone: 1-800-746-5641

3. Bénéficiaire De Cette Garantie (Acheteur): L'acheteur initial du produit Campbell Hausfeld .

4. Couverture De La Présente Garantie: Défauts de matière et de fabrication qui se révèlent pendant la période de validité de la garantie. Cette garantie comprend le Soudeur, le Transformateur du Soudeur et Redresseur, Pistolet du Soudeur ou le Porte-Électrode, et câbles seulement.

5. La Présente Garantie Ne Couvre Pas:

- A. Les garanties implicites, y compris celles de commercialisabilité et D'ADAPTION À UNE FONCTION PARTICULIÈRE SONT LIMITÉES EN DURÉE À CETTE GARANTIE. Après cette durée, tout risques de perte, quoi que ce soit, devient la responsabilité de l'acheteur. Certaines Provinces n'autorisent pas de limitations de durée pour les garanties implicites. Les limitations précédentes peuvent donc ne pas s'appliquer.
- B. TOUT DOMMAGE, PERTE OU DÉPENSE FORTUIT OU INDIRECT POUVANT RÉSULTER DE TOUT DÉFAUT, PANNE OU MAUVAIS FONCTIONNEMENT DU PRODUIT CAMPBELL HAUSFELD. Certaines Provinces n'autorisent pas l'exclusion ni la limitation des dommages fortuits ou indirects. La limitation ou exclusion précédente peut donc ne pas s'appliquer.
- C. Les accessoires qui sont compris avec le produit et qui sont soumis à l'usure par l'usage normal; la réparation ou le remplacement de ces objets sont la responsabilité de l'acheteur. Ces pièces MIG comprennent, mais ne sont pas limités à; Pointes De Contact, Buses, Doublures de Pistolet, Rouleaux D'Entraînement, Nettoyant pour Fil en Feutre. Additionnellement, cette garantie ne comprend pas le dommage causé par le remplacement ou entretien prématuré des pièces USABLES précédentes.
- D. Toute panne résultant d'un accident, d'une utilisation abusive, de la négligence ou d'une utilisation ne respectant pas les instructions données dans le(s) manuel(s) accompagnant le produit.
- E. Service avant livraison, i.e. montage et ajustement.

6. Responsabilités Du Garant Aux Termes De Cette Garantie: Réparation ou remplacement, au choix du Garant, des produits ou pièces qui se sont révélés défectueux pendant la durée de validité de la garantie.

7. Responsabilités De L'Acheteur Aux Termes De Cette Garantie:

- A. Veuillez appeler le 1-800-746-5641 pour l'assistance avec la garantie.
- B. Fournir une preuve d'achat datée et un état d'entretien.
- C. Toutes les soudeuses doivent être livrées ou expédiées au Centre de Service Autorisé Maxus le plus près. Les frais de transport, si applicables, sont la responsabilité de l'acheteur.
- D. Utilisation et entretien du produit avec un soin raisonnable, ainsi que le décrit le(s) manuel(s) d'utilisation.

8. Réparation ou Remplacement Effectué Par Le Garant Aux Termes De La Présente Garantie: La réparation ou le remplacement sera prévu et exécuté en fonction de la charge de travail dans le centre d'entretien et dépendra de la disponibilité des pièces de rechange.

Cette garantie limitée confère des droits précis. L'acheteur peut également jouir d'autres droits qui varient d'une Province à l'autre.

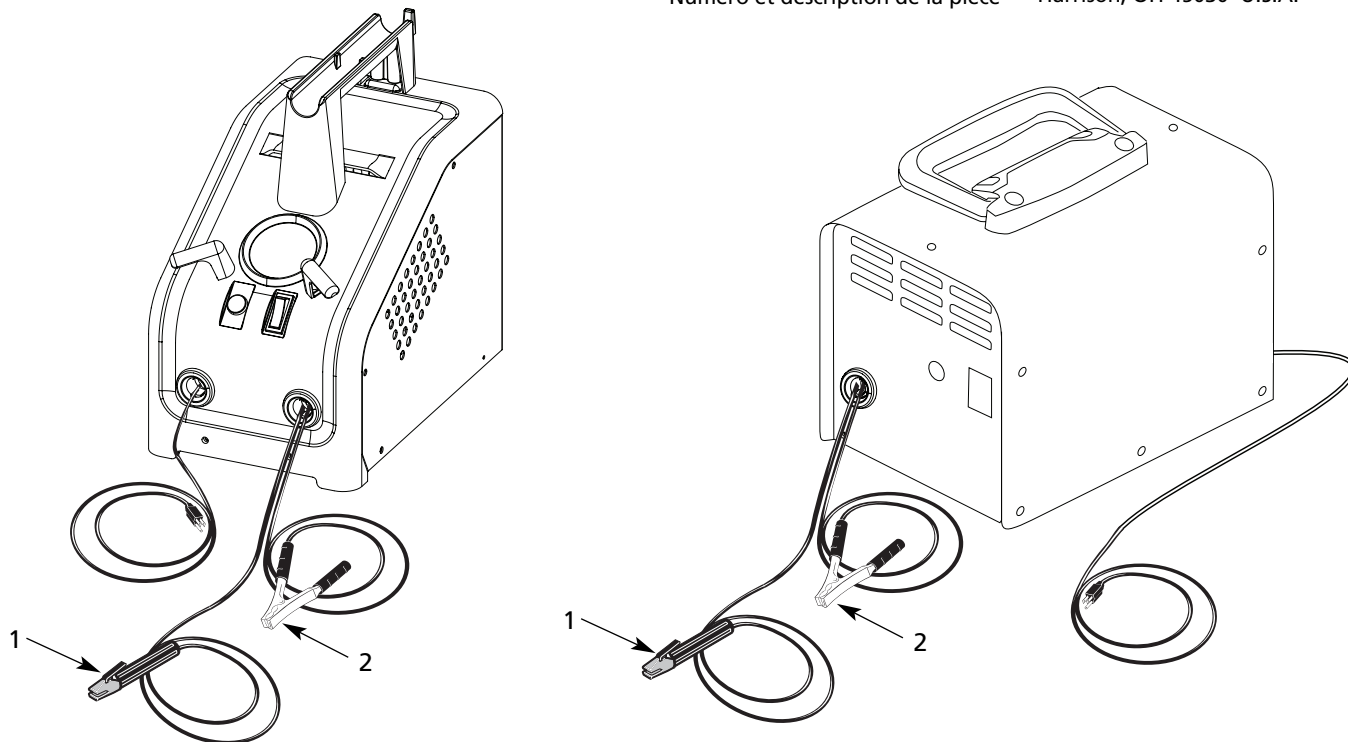
Pour pièces de rechange ou assistance technique, composer 1-800-746-5641

S'il vous plaît fournir l'information suivante:

- Numéro de modèle
- Numéro de série (si applicable)
- Numéro et description de la pièce

Correspondance:

The Campbell Group/ Scott Fetzer
Attn: Parts Department
100 Production Drive
Harrison, OH 45030 U.S.A.



Liste de pièces de rechange - Modèle WS0970 et WS0990

N° de Réf.	Description	N° de Pièce	Qté
1	Montage de porte-électrode (Cordon pas compris)	WC200300AV	1
2	Pince de soudeur (Cordon pas compris)	WC100000AV	1
3	Décalcomanie de sécurité pour WS0970 (non illustré)	DK687500AV	1
	Décalcomanie de sécurité 1 des 2 pour WS0990 (non illustré)	DK687502AV	1
	Décalcomanie de sécurité 1 des 2 pour WS0990 (non illustré)	DK687503AV	1
4	Optionnels - Marteau/brosse de piquage (non illustré)	WC803400AV	+
5	Optionnels - Masque de soudage à main (non illustré)	WC801700AV	+
6	Lentille de masque de soudage à main (non illustré)	WC801100AV	+
7	Électrodes de soudure (non illustré)		
	1/16 po E6013 (tube de 0,23 kg)	WE103501AV	+
	5/64 po E6013 (tube de 0,23 kg)	WE103002AV	+
	1/16 po E7014 (tube de 0,23 kg)	WE105502AV	+
	5/64 po E7014 (tube de 0,23 kg)	WE105001AV	+
	1/16 po Autoamorçage (tube de 0.14 kg)	WE110001AV	+
8	Casque de soudure (non illustré)		
	2 po x 4-1/4 po Zone d'observation	WT100500AV	+
	Auto-noircissement	WT100600AV	+
+	Accessoires optionnels (non inclus avec le soudeur)		

Lexique de Termes de Soudage

CA ou Courant Alternatif - courant électrique qui change de direction périodiquement. Le courant à soixante cycles voyage dans les deux directions soixante fois par seconde.

Longueur de L'Arc - La distance du bout de l'électrode jusqu'au point où l'arc contacte la surface de travail.

Métal Commun - le matériel qui doit être soudé.

Joint en Bout - un joint entre deux pièces qui sont alignées approximativement dans le même plan.

Cratère - une flaque ou poche qui est produite quand l'arc contacte le métal commun.

CC ou Courant Continu - courant électrique d'une direction seulement. La polarité (+ ou -) détermine la direction du courant.

CC Polarité Inversée - quand le porte-électrode est branché au pôle positif du soudeur. La Polarité Inversée dirige plus de chaleur dans l'électrode plutôt que sur l'objet de travail pour l'utilisation sur les matériaux plus minces.

CC Polarité Ordinaire - quand le porte-électrode est branché au pôle négatif du soudeur. Plus de chaleur est dirigé vers l'objet de travail pour meilleur pénétration des matériaux épais.

Électrode - un fil en métal enrobé ayant approximativement la même composition du matériel qui doit être soudé.

Soudure en Cordon - dimension approx. d'un triangle, profil en travers, qui uni les deux surfaces à angles droits en soudure à recouvrement, en T ou en coin.

Flux - l'enduit sur les électrodes de soudage à l'arc et sur le fil de soudage fourré en flux qui est consommé dans l'arc afin de produire un gaz protecteur. Ce gaz déplace l'air et les polluants autour de la soudure et sert à protéger la soudure.

Soudure À L'Arc Fourré de Flux (FCAW) - ou Sans-gaz est une méthode de soudage utilisée avec un soudeur à alimentation en fil. Le fil de soudage

est tubulaire avec du flux à l'intérieur pour protection.

Soudure À L'arc MIG (GMAW) - est une méthode utilisée avec un soudeur à alimentation en fil. Le fil est solide et un gaz inerte est utilisé pour protection.

Soudure À L'Arc Tungstène au chalumeau (TIG) (GTAW) - est une méthode de soudage utilisée avec de l'équipement de soudage qui a une génératrice à haute fréquence. L'arc est créé entre un électrode tungstène non-usable et l'objet de travail. Un bouche-pores peut être utilisé.

Soudure à Recouvrement - un joint entre deux pièces en chevauchement.

Tension au Repos (OCV) - la tension entre l'électrode et le collier de mise à la terre quand il n'y a pas de flux de courant (pas de soudage). Ceci détermine la vitesse à laquelle l'arc est amorcé.

Chevauchement - se produit quand le réglage d'ampérage est trop bas. En ce cas, le métal fondu tombe de l'électrode sans se fondre dans le métal commun.

Porosité - des soufflures, ou creux formés pendant la solidification de la soudure qui affaiblissent la soudure.

Pénétration - la profondeur que la chaleur affecte l'objet pendant la soudure. Une soudure de haute qualité est celle qui atteint 100% de pénétration. C'est à dire que l'objet de travail en entier a été chauffé et solidifié à nouveau. Les endroits affectés par la chaleur devraient être visibles sur l'inverse de la soudure.

Soudure À L'Arc Au Métal Enrobé (SMAW) - est une méthode de soudage qui utilise une électrode usable pour soutenir un arc. L'enduit de flux fondu sur l'électrode fournit la protection.

Scorie - une couche d'encrassement de flux qui protège la soudure des oxydes et autres polluants pendant le refroidissement de la soudure. Enlever la scorie après que la soudure s'est refroidie.

Bavure - particules métalliques volantes qui se refroidissent sur la surface de travail. La bavure peut être diminuée si vous utilisez un agent vaporisateur qui résiste la bavure sur l'objet de travail avant de souder.

Point de Soudure - une soudure utilisée pour tenir les pièces en alignement jusqu'à ce que les soudures actuelles soient complétées.

L'Angle de Déplacement - l'angle de l'électrode dans la ligne de soudure. Ceci varie entre 5° et 45° selon les conditions.

Joint en T - placer le bord d'un morceau de métal sur l'autre à un angle de 90°. **Caniveau** - une condition résultant d'un ampérage trop haut qui produit une rainure dans le métal commun le long des deux côtés du cordon de soudure et sert à affaiblir la soudure.

Flaque de Soudure - un volume de métal fondu dans une soudure avant sa solidification.

Cordon de Soudage - une couche(s) étroite de métal placée sur le métal commun pendant que l'électrode fond. Le cordon de soudage est typiquement deux fois le diamètre de l'électrode.

Angle de Travail - l'angle de l'électrode à angle droit de la ligne de soudure.

Sírvase leer y guardar estas instrucciones. Lea con cuidado antes de tratar de armar, instalar, manejar o darle servicio al producto descrito en este manual. Protéjase Ud. y a los demás observando todas las reglas de seguridad. El no seguir las instrucciones podría resultar en heridas y/o daños a su propiedad. Guarde este manual como referencia.

CAMPBELL HAUSFELD® Soldadora con Arcos Revestidos



Descripción

Esta soldadora con arcos revestidos de Campbell Hausfeld está diseñada para usarse con corriente doméstica de 115V estándar. Está equipada con un control de salida para seleccionar con precisión la corriente adecuada necesaria para varias condiciones de soldadura. Los componentes internos tienen un sistema de protección termostática.

Esta soldadora le permite soldar acero de hasta 3,2 mm (1/8 in.) de grosor en un sólo paso. Le recomendamos que utilice electrodos de 1,6 mm (1/16 in.) de diámetro cuando utilice 15 amperios y electrodos de hasta 0,08 mm (5/64 in.) cuando utilice 20 amperios, en EE.UU. llame al (800) 746-5641 para ubicar el distribuidor más cercano a su domicilio.

Para desempacar

Al desempacar este producto, revíselo con cuidado para cerciorarse de que esté en perfecto estado. Si la soldadora está dañada o le faltan piezas comuníquese con el distribuidor de Campbell Hausfeld más cercano a su domicilio.

Requerimientos eléctricos

PRECAUCION Este equipo

debe conectarse a un circuito de 115 voltios. En la tabla a continuación se le explica el tipo de cortacircuitos o fusibles necesarios. Nunca conecte otros artefactos, lámparas o herramientas al mismo circuito donde está conectada la soldadora. No le recomendamos el uso de cordones de extensión. Si no sigue esta recomendación podría activarse el cortacircuitos o quemarse los fusibles.

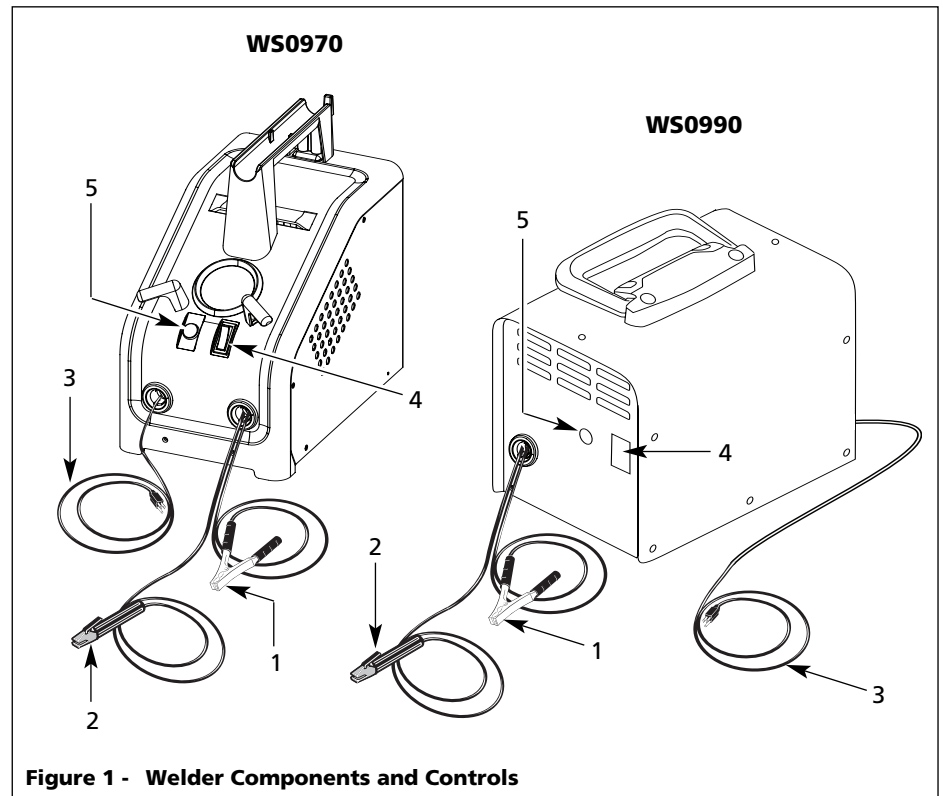


Figure 1 - Welder Components and Controls

Componentes y Controles

1. Pinza para conectar a tierra - conéctela a la pieza de trabajo.
2. Porta-electrodo - pinza que se usa para sostener el electrodo.
3. Cordón eléctrico - conéctelo a un tomacorrientes de 115 voltios.
4. Interruptor de corriente - high/off/low (alto/apagado/bajo).
5. Lámpara indicadora - la lámpara se activa si el termostato apaga la unidad automáticamente.

Ajuste de calor	Cortacircuito o Fusible de acción retardada	
Bajo	15 amp	
Alto	20 amp	

Informaciones Generales de Seguridad

PELIGRO Esto le indica que hay una situación que le ocasionará la muerte o heridas de gravedad si ignora la advertencia.

RECORDATORIO: ¡Guarde su comprobante de compra con fecha para fines de la garantía! Adjúntela a este manual o archívela en lugar seguro.

Informaciones Generales de Seguridad (Continuación)

⚠️ ADVERTENCIA

Esto le indica que hay una situación que podría ocasionarle la muerte o heridas de gravedad si ignora la advertencia.

⚠️ PRECAUCIÓN

Esto le indica que hay una situación que podría ocasionarle heridas leves o moderadas si ignora la advertencia. Igualmente, le puede indicar una situación que podría ocasionarle daños a su propiedad.

NOTA: Esto le indica cualquier información adicional sobre el producto o el uso adecuado del mismo.

⚠️ ADVERTENCIA

Siempre mantenga un extinguidor de incendio accesible cuando esté soldando con arcos eléctricos.



- Antes de encender o darle servicio a las soldadoras eléctricas de arco, debe leer y comprender todas las instrucciones. Si no sigue las medidas de seguridad e instrucciones suministradas en el manual, podría ocasionarle daños al equipo, y/o sufrir heridas graves o la muerte.
- Todos los trabajos de instalación, mantenimiento, reparación y operación de esta soldadora deben ser hechos por una persona calificada siguiendo los códigos nacionales, estatales y locales.

⚠️ ADVERTENCIA

!El uso inadecuado de soldadoras de arcos eléctricos podría ocasionarle choques eléctricos, heridas y la muerte! Siga todas las instrucciones suministradas en este manual para reducir las posibilidades de electrocutamiento.



- Cerciórese de que todos los componentes de la soldadora de arcos eléctricos estén limpios y en buen estado antes de utilizarla. Cerciórese de que los forros aislantes de todos los cables, pinzas porta-electrodos y cordones eléctricos no estén dañados.

Siempre repare o reemplace las piezas dañadas antes de utilizar la soldadora. Siempre mantenga todas las tapas de la soldadora en su lugar mientras la esté utilizando.

- Siempre use vestimenta adecuada para soldar que esté seca, al igual que guantes y zapatos aislantes para soldadores.
- Use la soldadora sólo en áreas limpias, secas y bien ventiladas. No la use en áreas húmedas, mojadas o que no estén bien ventiladas.
- Antes de comenzar a soldar con esta soldadora, cerciórese de que la pieza esté bien fija y conectada a tierra.
- Debe desenrollar los cables de la soldadora para evitar que se sobrecalienten y se les dañe el forro aislante.

⚠️ PELIGRO

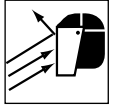
¡Nunca sumerja el electrodo ni el portaelectrodos en agua! Si la soldadora se moja por cualquier motivo, cerciórese de que esté completamente seca antes de tratar de usarla.

- Siempre apague la unidad y desconéctela antes de moverla a otro sitio.
- Siempre conecte el cable de conexión a tierra primero.
- Cercieorese de que la pieza esté conectada a tierra adecuadamente.
- Siempre apague la soldadora de arcos eléctricos y saque el electrodo del portaelectrodo cuando no la esté usando.
- Nunca toque el electrodo y la tierra o pieza conectada a tierra al mismo tiempo.
- Al soldar en ciertas posiciones puede tener peligro de electrocutamiento. Al estar en cuclillas, arrodillado o en alturas, cerciórese de aislar todas las piezas que puedan conducir electricidad, use ropa adecuada para soldar y tome precauciones para no caerse.
- Nunca trate de usar este equipo con corrientes eléctricas o ciclajes diferentes a los especificados en las etiquetas.
- Nunca use una soldadora eléctrica

para descongelar tuberías que se hayan congelado.

⚠️ ADVERTENCIA

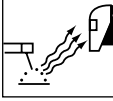
Las chispas y el metal caliente le pueden ocasionar heridas. Cuando la pieza que soldó se enfríe, la escoria podría desprenderse. Tome todas las precauciones descritas en este manual para reducir las posibilidades de que sufra heridas por estas razones.



- Sólo use máscaras aprobadas por la organización norteamericana ANSI o anteojos de seguridad con protección lateral al tratar de cortar o esmerilar piezas de metal.
- Si va a soldar piezas que estén por encima de usted debe protegerse los oídos para evitar que le caigan residuos adentro.

⚠️ ADVERTENCIA

Al soldar con arcos eléctricos se producen luces intensas, calor y rayos ultravioletas. Éstos le podrían ocasionar heridas en la vista y la piel. Tome todas las medidas de precaución descritas en este manual para reducir las posibilidades de heridas en la vista o la piel.



- Todos los operadores o personas que se encuentren en el área de trabajo mientras estén usando el equipo deben usar la vestimenta adecuada incluyendo: máscara de soldador con los niveles de oscuridad especificados en la tabla a continuación, ropa resistente al fuego, guantes de cuero para soldar y zapatos de protección.

⚠️ ADVERTENCIA

Nunca mire hacia el área donde esté soldando sin protegerse la vista tal como se ha descrito anteriormente. Nunca use lentes oscuros que estén partidos, rotos o de un número menor de 10. Adviértale a las otras personas en el área que no deben mirar el arc.

⚠️ ADVERTENCIA

Al soldar con arcos eléctricos puede crear chispas y calentar el metal a temperaturas que le podrían ocasionar quemaduras graves! Use guantes y ropa de protección para hacer este tipo



Informaciones Generales de Seguridad (Continuación)

de trabajo. Tome todas las medidas de precaución descritas en este manual para reducir las posibilidades de quemarse la piel o la ropa.

- Cerciórese de que todas las personas que se encuentren en el área de trabajo estén protegidas contra el calor, las chispas, y los rayos ultravioletas. Utilice máscaras y barreras antillamas cuando sea necesario.
- Nunca toque las piezas que ha soldado hasta que éstas se hayan enfriado por completo.

ADVERTENCIA

!El calor y las chispas producidas al soldar con arcos eléctricos y otros trabajos con metales podrían encender materiales inflamables o explosivos! Tome todas las medidas de precaución descritas en este manual para reducir las posibilidades de llamas o explosiones.



- Mueva todos los materiales inflamables que se encuentren en un perímetro de 10,7 metros (35 pies) del área. Si no lo puede hacer, deberá cubrirlos con algún material que los aisle del fuego.
- No use una soldadora de arcos eléctricos en áreas donde pueda haber vapores inflamables o explosivos.
- Tome todas las precauciones necesarias para evitar que las chispas y el calor ocasionen llamas en áreas poco accesibles, ranuras, detrás de divisiones, etc.

ADVERTENCIA

¡Peligro de incendio! No suelde envases o tuberías que contengan o hayan contenido materiales inflamables o combustibles gaseosos o líquidos.



ADVERTENCIA

Si suelda cilindros cerrados o tambores con soldadoras de arcos eléctricos podría ocasionar explosiones si éstos no están bien ventilados! Cerciórese de que cualquier cilindro o envase que vaya a soldar tenga un orificio de ventilación para liberar los gases.



PROPOSICIÓN DE CALIFORNIA 65

PELIGRO

Este producto, cuando se usa para soldar, produce humos o gases que contienen químicos los cuales, según lo ha determinado el estado de California, causan defectos congénitos (u otros daños de la función reproductiva), y en algunos casos, el cáncer (Ley sobre Seguridad y Salud de California No. 25249.5 y siguientes)

ADVERTENCIA

Este producto y su cable de corriente contienen plomo, un químico que es conocido por el Estado de California eso causante de cáncer y defectos de nacimiento u otros daños reproductivos. Lávese las manos después de manipularlo.

ADVERTENCIA

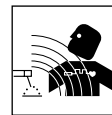
No respire los gases emitidos al soldar con arcos eléctricos. Éstos son peligrosos. Si no puede ventilar adecuadamente el área de trabajo, cerciórese de usar una máscara para respirar.



- Mantenga la cabeza y la cara alejada de los humos emitidos al soldar.
- Para soldar metales galvanizados o con baños de cadio, metales que contengan zinc, mercurio o berilio con arcos eléctricos debe tomar las siguientes precauciones:
 - a. Quítele la capa al metal.
 - b. Cerciórese de que el área de trabajo esté bien ventilada.
 - c. Use un máscara para respirar.
 Estos metales emiten humos sumamente tóxicos al calentarse.

ADVERTENCIA

El campo electromagnético generado al soldar con arcos eléctricos podría interferir con el funcionamiento de varios artefactos eléctricos y electrónicos tales como marcapasos. Aquellas personas que usen estos artefactos le deben consultar a su médico antes de soldar con arcos eléctricos.



- Coloque los cables del electrodo y de trabajo juntos y únalos con cinta pegante si es posible.
- Nunca se enrolle los cables de la soldadora en el cuerpo.
- Siempre coloque todos los cables de modo que estén del mismo lado del cuerpo.
- El contacto con los campos electromagnéticos producidos al soldar pueden ocasionar problemas de salud desconocidos hasta ahora.

ADVERTENCIA

Cerciórese de que el área de trabajo esté libre de peligros (chispas, llamas, metales al rojo vivo o escorias) antes de irse. Cerciórese de que ha apagado la soldadora y le ha quitado el electrodo. Cerciórese de que los cables estén enrollados y almacenados. Cerciórese de que tanto el metal como la escoria se hayan enfriado.

MEDIDAS DE SEGURIDAD ADICIONALES

Aquellas personas que vivan y trabajen en los Estados Unidos deben percatarse de que según las leyes de este país los siguientes códigos aplican para el trabajo con soldadoras: ANSI Standard Z49.1, OSHA 29 CFR 1910, NFPA Standard 70, CGA Pamphlet P-1, CSA Standard W117.2, NFPA Standard 51B ANSI Standard Z87.1. Aquellas personas que residan en países latinoamericanos deben consultar los códigos y regulaciones que se apliquen en sus respectivos países. Igualmente, todos los usuarios deben consultar las medidas de seguridad suministradas por los fabricantes de los productos que vayan a utilizar.

Instalación

Ubicación

Al ubicar la soldadora en un sitio adecuado puede aumentar el rendimiento y la fiabilidad de la soldadora de arcos eléctricos.

- Para obtener mejores resultados ubique la soldadora en un área que esté limpia y seca. El polvo y las impurezas en la soldadora acumulan la humedad y aumenta el desgaste de las piezas móviles.

Instalación (Continuación)

- Almacene los electrodos en un sitio limpio, seco y con poca humedad para conservar la capa de fundente.
- El tomacorrientes que use para conectar la soldadora debe estar conectado a tierra adecuadamente y la soldadora debe ser el único artefacto conectado a este circuito. Vea la tabla de Circuitos y Amperios en la página 25 donde se le dan instrucciones al respecto.
- No es recomendable que use un cordón de extensión con este tipo de soldadoras. La baja de voltaje en el cordón de extensión podría reducir el rendimiento de la soldadora.

Ensamblaje

MASCARA DE MANO (OPCIONALES)

1. Corte el mango desmontable de la máscara. Empárejele los bordes.

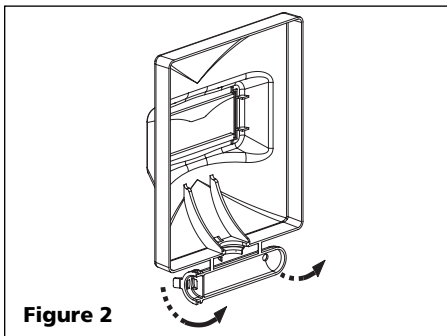


Figure 2

2. Colóquele los lentes.

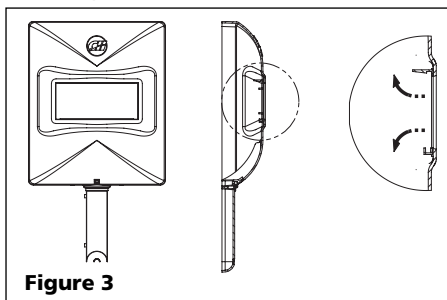


Figure 3

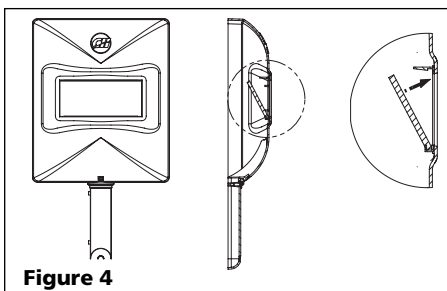


Figure 4

3. Para conectar el mango, coloque la máscara sobre una superficie plana y oprima el mango hasta que calce (Vea la Figura 5).

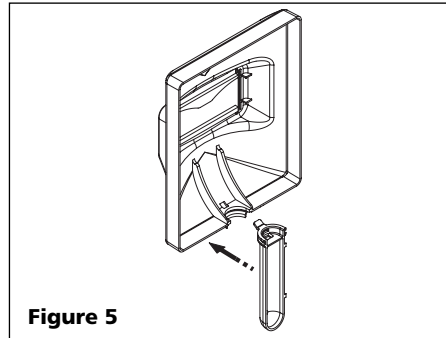


Figure 5

NOTA: Si nunca ha soldado o si tiene poca experiencia, le recomendamos que use una máscara que le cubra toda la cara. Necesitará ambas manos para estabilizar y controlar el ángulo y la longitud del arco del electrodo.

Funcionamiento

1. Cerciérese de leer, comprender y cumplir con todas las medidas de precaución enumeradas en la sección de Informaciones Generales de Seguridad de este manual. Igualmente, debe leer la sección Instrucciones para soldar en este manual antes de usar la soldadora.



ADVERTENCIA Todas las personas que utilicen este equipo o que se encuentren en el área mientras el equipo está siendo utilizado deben usar protección para soldar que incluya: protección ocular con gafas de sombra mínima de 10, ropas resistentes a las llamas, guantes de cuero para soldar, y protección total en los pies.

ADVERTENCIA



Si piensa calentar, soldar o cortar materiales galvanizados, cubiertos de zinc, plomo o cadmio vea las instrucciones al respecto en la sección Informaciones Generales de Seguridad. Al calentar estos metales se emiten gases muy tóxicos.

4. Conecte la pinza de conexión a tierra a la pieza que va a soldar. Cerciérese de que el contacto sea con el metal y que no éste no tenga pintura, barniz, óxido o materiales no metálicos.
5. Introduzca el extremo sin fundente del electrodo en las mordazas del protalectrodo.

ADVERTENCIA

Tanto el porta electrodo como el electrodo tienen "tensión" (podrían transmitir corriente) cuando encienda la soldadora.

ADVERTENCIA

Al hacer la conexión a tierra a través de una pieza de metal podría ocasionar un arco eléctrico que podría producir chispas dañinas a la vista.

Diám. del Electrodo	Ajuste de salida
1,6 mm (1/16 in.)	Bajo
2,0 mm (5/64 in.)	Alto

6. Sostenga el electrodo alejado de la pieza de trabajo o banco de trabajo conectado a tierra. Ajuste la soldadora ya sea en Alto o Bajo. Refiérase a la siguiente tabla por los valores de salida adecuados.
7. Coloque el electrodo para comenzar a soldar, cúbrase la cara con la máscara del casco o con la máscara de mano, encienda el electrodo. Ajuste el valor de salida según sea necesario.
8. Cuando termine de soldar, apague la soldadora y guárdela en un sitio adecuado.

Funcionamiento (Continuación)

CICLO DE TRABAJO / PROTECCION TERMICA

El ciclo de trabajo de la soldadora es el porcentaje de tiempo que se está soldando durante un intervalo de 10 minutos. Por ejemplo, con un ciclo de trabajo de 10%, podrá soldar por un minuto y después la soldadora deberá enfriarse por nueve minutos.

Las piezas internas de esta soldadora tiene un protector térmico automático para evitar que se sobrecalienten. Si se excede el ciclo de trabajo se enciende una luz amarilla en el panel frontal. Podrá continuar soldando cuando la luz amarilla se apague.

Mantenimiento

ADVERTENCIA Desconecte y

apague la soldadora antes de inspeccionar o darle servicio a cualquier componente.

Antes de cada uso:

1. Chequee los cables y repare o reemplace inmediatamente cualquier cable cuyo forro aislante esté dañado.
2. Chequee el cordón eléctrico y repárelo o reemplácelo inmediatamente si está dañado.
3. Chequee el forro aislante del portaelectrodo y reemplace de inmediato las piezas que estén rotas. Cerciórese de que todas los

ADVERTENCIA Nunca use

esta soldadora si los forros aislantes de alguno de los cables o del portaelectrodo están dañados o no están colocados.

Cada 3 meses:

Reemplace cualquier etiqueta que esté ilegible. Use aire comprimido para limpiar las aperturas de ventilación.

Instrucciones para Soldar

Instrucciones Generales

Esta máquina soldadora utiliza un proceso conocido como Soldar con arcos protegidos (Shielded Metal-Arc Welding SMAW). (SMAW siglas en inglés). Este proceso se usa para soldar metales calentándolos con un arco eléctrico producido entre el electrodo y la pieza que se va a soldar.

Los electrodos usados en este proceso tienen dos partes. El interior es una varilla de un metal similar a la pieza que se va a soldar. La capa externa se llama fundente. Hay varios tipos de fundentes. Cada fundente se usa para un tipo de soldadura en particular. Cuando el metal se derrite se puede contaminar con las impurezas del aire. Esta contaminación podría debilitar la soldadura. La capa de fundente crea una barrera de protección o escoria que protege el metal derretido contra los contaminantes.

Cuando la corriente (amperaje) circula del circuito al electrodo, se forma un arco entre el extremo del electrodo y la pieza de trabajo. El arco derrite el electrodo y la pieza de trabajo. El metal derretido del electrodo se dispersa dentro de la ranura del metal derretido en la pieza y los une tal como se muestra en la Figura 6.

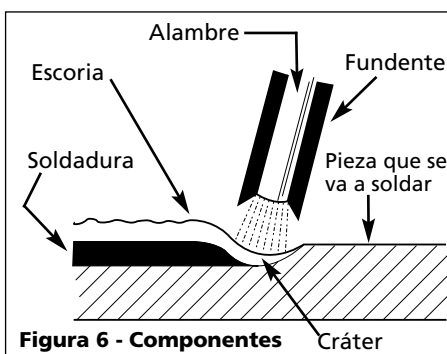


Figura 6 - Componentes

NOTA: Debe cambiar el electrodo cuando su longitud sea de 1 a 2 pulgadas del portaelectrodo.

PARA ENCENDER EL ELECTRODO

Coloque la pinza de trabajo en la pieza de trabajo. Para obtener buenos resultados en la soldadura, las mandíbulas de la pinza de trabajo deben hacer un buen contacto con el metal limpio y descubierto de la pieza de trabajo.

Coloque el extremo del electrodo sin capa en el portaelectrodo. Sostenga el portaelectrodo sin hacer fuerza para que no se le canse la mano y el brazo.

NOTA: Siempre mantenga el portaelectrodo limpio para que haya un buen contacto eléctrico con el electrodo.

ADVERTENCIA Cerciórese de

no tocar la banca de trabajo con el electrodo o el portaelectrodo ya que ésto ocasionaría ráfagas.

En mejor metodo para encender el electrodo es haciéndolo en ángulo como si fuese un fósforo. Al hacer contacto con la placa, inmediatamente suba el electrodo a una distancia de 1/16 in. de la superficie para evitar que se pegue (Vea la Figura 7).

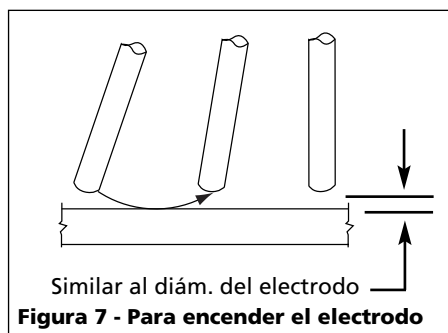


Figura 7 - Para encender el electrodo

NOTA: En caso de que el electrodo se pegue a la pieza de trabajo, despéguelo moviéndolo de un lado a otro o doblándolo cerca del portaelectrodo y halándolo hacia arriba. Si no logra despegarlo, suéltelo de la pinza.

TIPOS Y TAMAÑOS DE ELECTRODOS

Hay dos tipos de electrodos recomendados para este tipo de soldadoras. Éstos son mejor conocidos por la designación de la Sociedad Norteamericana de Soldadores (AWS):

Instrucciones para Soldar (Continuación)

1. E-6013 PARA TODO TIPO DE USOS

- Este electrodo se puede usar para soldar en cualquier posición, le ofrece poca salpicadura o depósito de residuos.
- Úsela para soldar aceros dulces y trabajos generales de soldaduras.

2. E-7014 SOLDADURAS RAPIDAS

- Acabado parejo y deposición rápida.
- Ideal para soldar piezas disparejas y trabajos de reparación

NOTA: No es recomendable que use los electrodos E-6011 y E-7018 con estas soldadoras. Le recomendamos que use electrodos de 1,6 mm (1/16 in.) ó 0,08 mm (5/64 in.) de diámetro. Visite el distribuidor de productos Campbell Hausfeld más cercano para adquirirlos.

Técnicas Básicas para Soldar con Arcos

Hay cuatro aspectos que debe considerar para lograr una soldadura de alta calidad. Éstos son: el amperaje usado, el ángulo para soldar, la longitud del arco y la velocidad de desplazamiento. Es imprescindible que siga las recomendaciones al respecto para lograr un acabado de alta calidad.

AMPERAJE

El amperaje adecuado se controla en la soldadora. Esto se regula seleccionando el valor adecuado alto o bajo. El amperaje requerido depende del tamaño (diámetro) del electrodo utilizado para soldar y del grosor de las piezas que vaya a soldar.

Una corriente excesiva quema a través de metales ligeros y el reborde es chato y poroso (vea la figura 9). El reborde aparece alto e irregular si la corriente es demasiado baja.

ANGULO PARA SOLDAR

Éste es el ángulo en el que mantiene el electrodo para soldar. Si usa el ángulo adecuado logrará la penetración y acabado perfecto de la unión. Este ángulo tiene dos aspectos - ángulo de desplazamiento y ángulo de trabajo (Vea la Figura 8).

El ángulo de desplazamiento es el ángulo en la línea donde se está soldando y puede variar entre 5° y 45° de la línea vertical, según sean las condiciones de trabajo.

El ángulo de trabajo es el ángulo desde la línea horizontal, medido en ángulos rectos en relación a la línea de soldar.

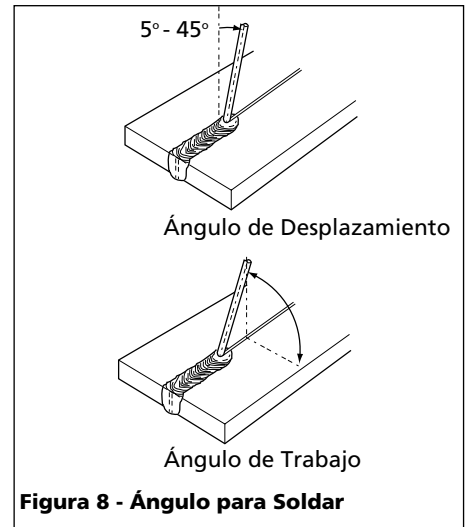


Figura 8 - Ángulo para Soldar

Para la mayoría de las aplicaciones se puede usar ángulos de desplazamiento y de trabajo de 45°. Para aplicaciones específicas, debe consultar un libro de referencias para soldadores.

NOTA: Para soldar con la mano derecha hágalo de izquierda a derecha. Los zurdos deben hacerlo de derecha a izquierda. El electrodo siempre debe estar dirigido como se indica en la Figura.

NOTA: Debe ser aproximadamente el doble del diám. del electrodo usado para soldar

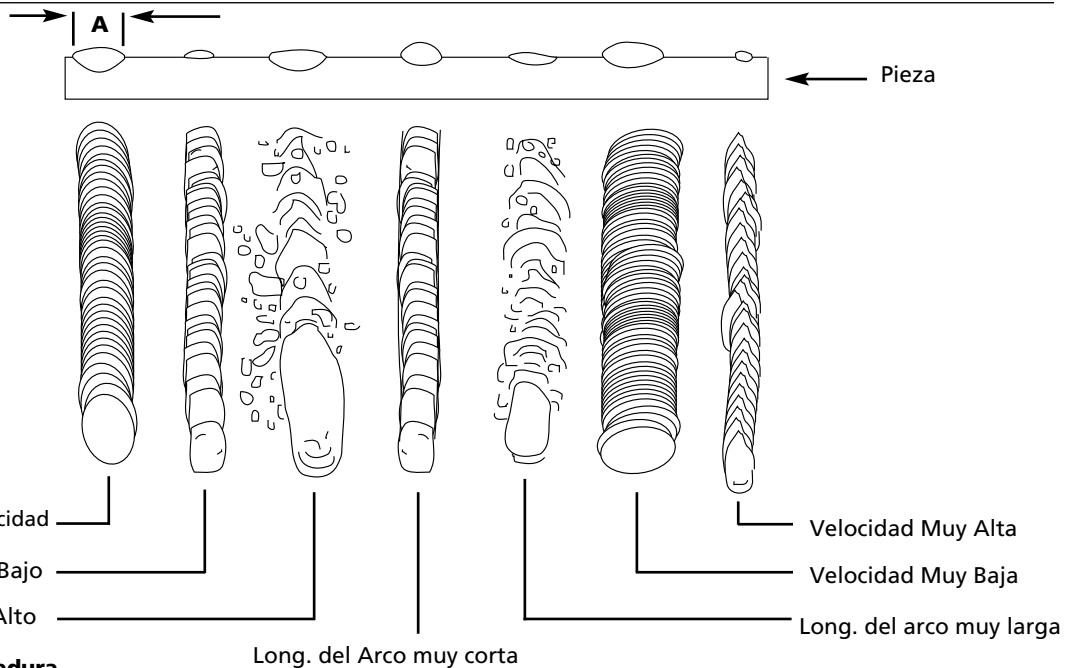


Figura 9 - Apariencia de la Soldadura

Instrucciones para Soldar (Continuación)

LONGITUD DEL ARCO

Esta es la distancia entre la pieza de trabajo y el extremo del electrodo, la distancia que el arco se debe desplazar. Para generar el calor necesario para soldar es esencial obtener la longitud adecuada del arco (Vea la Figura 9). Si el arco es demasiado largo se produce un arco inestable, se reduce la penetración, aumenta el salpiqueo, y los rebordes son planos y anchos. Si el arco es demasiado corto no se produce suficiente calor para derretir la pieza de trabajo, el electrodo tiene la tendencia a pegarse, la penetración no es la adecuada y rebordes son dispares e irregulares. La longitud del arco no debe ser mayor al diámetro de la vara. Al soldar debe escuchar un sonido similar al que se produce al freir tocina.

VELOCIDAD DE DESPLAZAMIENTO

Es la velocidad con que se desplaza el electrodo por el área que va a soldar (Vea la Figura 9). Si la velocidad es demasiado rápida, el reborde es angosto y las ondas puntiagudas como se muestra en la figura. Si la velocidad es muy lenta, el metal soldado se acumula y el reborde es alto y ancho. Para controlar esta velocidad, observe el grosor del reborde (no el arco) mientras esté soldando. El reborde es la franja anaranjada de metal derretido que se forma al pasar el arco. Su grosor debe ser aproximadamente el doble de diámetro del electrodo. Controle la velocidad de desplazamiento para obtener un reborde parejo.

SLIMPIEZA DE ESCORIAS

⚠ ADVERTENCIA Use anteojos de seguridad aprobados por la asociación norteamericana ANSI (ANSI Standard Z87.1) (o alguna organización similar en sus respectivos países) y ropa de protección para sacar la escoria. Los residuos calientes le podrían ocasionar heridas a las personas que se encuentren en el área de trabajo.

Una vez que haya terminado de soldar, espere a que las piezas soldadas se enfríen. Una capa protectora que llamaremos escoria cubre el reborde para evitar que los contaminantes en el aire reaccionen con el metal derretido. Cuando el metal se haya enfriado un poco y no esté al rojo vivo, podrá limpiar la escoria. Ésto lo puede hacer con un martillo. Golpee suavemente la escoria con el martillo hasta que logre despegarla. Finalmente, use un cepillo de alambre para terminar de limpiar. Cuando se hacen varias pasadas de soldar, quite la escoria entre una pasada y la siguiente.

POSICIONES PARA SOLDAR

Básicamente hay 4 posiciones para soldar: plana, horizontal, vertical y por encima de la cabeza. Soldar en la posición plana es lo más fácil ya que la velocidad es mayor, el metal derretido se chorrea menos, se puede lograr una mayor penetración y el trabajador se cansa menos.

Otras posiciones requieren técnicas diferentes tales como paso entretreído, circular o cruzado. Para completar este tipo de soldadura se requiere más experiencia en la materia.

Siempre debe tratar de soldar en una posición plana. Para obtener instrucciones específicas para algún tipo de soldadura consulte un libro de referencias para soldadores.

PASOS

Algunas veces deberá usar más de un paso para soldar. Primero deberá hacer un paso primordial, éste será seguido por pasos adicionales de relleno (vea la Figura 10). Si las piezas son gruesas, tal vez sea necesario biselar los bordes que están unidos en un ángulo de 60°. Recuerde quitar la escoria entre cada pasada.

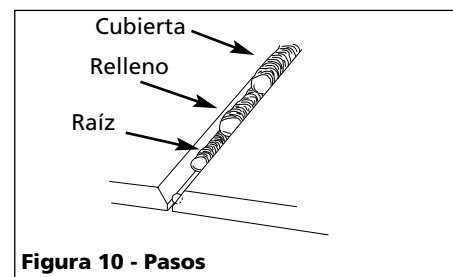


Figura 10 - Pasos

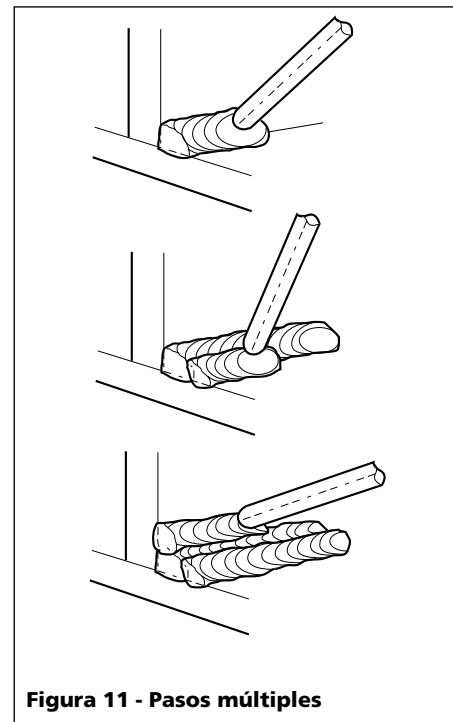


Figura 11 - Pasos múltiples

Para mayor Información Sobre Este Producto, Comuníquese con el Distribuidor más Cercano**Guía de diagnóstico de problemas - Soldadora**

Problema	Posible(s) Causa(s)	Acción a Tomar
La soldadora no hace ruido al encenderla	<ol style="list-style-type: none"> 1. El tomacorrientes no tiene corriente eléctrica 2. El cordón eléctrico está roto o dañado 	<ol style="list-style-type: none"> 1. Chequee el fusible o el cortacircuito 2. Debe darle servicio al cordón eléctrico
La soldadora hace ruido pero no suelda	<ol style="list-style-type: none"> 1. La corriente del electrodo es inadecuada 2. alguna de las conexiones de la soldadora está floja 	<ol style="list-style-type: none"> 1. Chequee si las pinzas, los cables y las conexiones están desgastados. Chequee el cable del electrodo y el portaelectrodo 2. Chequee todas las conexiones externas de la soldadora
La soldadora le da corrientas pequeñas	<ol style="list-style-type: none"> 1. Accidentalmente hizo contacto con la pieza que va a soldar 2. Desvío de la corriente a través de ropa húmeda o el área de trabajo 	<ol style="list-style-type: none"> 1. Evite hacer contacto con la pieza 2. Cerciórese que su ropa y el área de trabajo estén secas
La soldadora se sobrecalienta - se queman los fusibles, el cortacircuito se activa	<ol style="list-style-type: none"> 1. Está usando un cordón de extensión 2. El diámetro del electrodo es muy grande 3. El circuito está sobrecargado 	<ol style="list-style-type: none"> 1. Si es posible, reubique la soldadora para evitar el uso de cordones de extensión. Si no es posible reubicar la soldadora, use un cordón de extensión más resistente (de un calibre más bajo) 2. Use un electrodo de un diámetro más pequeño 3. La soldadora se debe conectar a un circuito de 115 voltios donde no haya otros artefactos conectados
Tiene problemas para encender el electrodo	<ol style="list-style-type: none"> 1. Está usando un electrodo inadecuado 2. El diámetro del electrodo es muy grande 3. La pieza que va a soldar no está bien conectada a tierra 4. El voltaje es muy bajo porque el circuito está sobrecargado 	<ol style="list-style-type: none"> 1. Verifique que el electrodo sea para corriente alterna 2. Use un electrodo de un diámetro más pequeño 3. Verifique que la conexión a tierra sea adecuada. (No haya residuos de pintura, barniz u óxido) 4. Conecte la soldadora a un circuito de 115 voltios donde no haya otros artefactos conectados

Guía de diagnóstico de problemas - Soldadura

Problema	Posible(s) Causa(s)	Acción a Tomar
Reborde es muy delgado o muy grueso en algunos sitios	<ol style="list-style-type: none"> 1. La velocidad de desplazamiento varia 2. El amperaje es inadecuado 	<ol style="list-style-type: none"> 1. Observe cuidadosamente el reborde y controle su grosor del reborde 2. Ajuste el amperaje o use un electrodo menos grueso
Los bordes de la soldadura están dispares	<ol style="list-style-type: none"> 1. a velocidad de desplazamiento es muy rápida 2. El arco es muy corto 3. El amperaje es muy alto 	<ol style="list-style-type: none"> 1. Observe cuidadosamente y controle el grosor del reborde 2. Practique como soldar con la soldadora APAGADA 3. Reduzca el amperaje
El reborde no penetra el metal de la pieza	<ol style="list-style-type: none"> 1. La velocidad de desplazamiento varia 2. El amperaje es muy bajo 3. El electrodo es muy grueso 	<ol style="list-style-type: none"> 1. Disminuya la velocidad de desplazamiento y manténgala constante 2. Aumente el amperaje o use un electrodo menos grueso 3. Se recomienda cualquiera de los siguientes diámetros de electrodos: 1/16 in. o 5/64 in. (1,6 mm o 2 mm).
El electrodo se pega a la pieza de trabajo	<ol style="list-style-type: none"> 1. El arco es muy corto 2. El amperaje es muy bajo 	<ol style="list-style-type: none"> 1. Mantenga el electrodo a la distancia recomendada tan pronto como lo encienda 2. Aumente el amperaje o use un electrodo menos grueso
El electrodo salpica y se pega	Los electrodos están húmedos	Use electrodos secos y guárdelos en un sitio seco

Garantía Limitada 5-3-1

1. Duración: El fabricante garantiza que reparará, sin costo alguno por repuestos o mano de obra la soldadora o la pistola o los cables que estén dañados bien en material o mano de obra, durante los siguientes periodos después de la compra original:

Por 5 años: El transformador y rectificador de la soldadora

Por 3 años: Toda la soldadora (se excluyen: pinzas, pistola, cables, o accesorios que vienen con la soldadora)

Por 90 días: Pinzas, Pistola, Accesorios y Cable para Soldar (de haberlos)

2. QUIEN OTORGA ESTA GARANTIA (EL GARANTE):

Campbell Hausfeld, a Scott Fetzer Company

100 Production Drive

Harrison, OH 45030 U.S.A.

Teléfono: 1-800-746-5641

3. BENEFICIARIO DE ESTA GARANTIA (EL COMPRADOR): El comprador original del producto Campbell Hausfeld.

4. Cobertura de la garantía: Defectos en material y fabricación que ocurran dentro del periodo de validez de la garantía.

La garantía cubre la soldadora, el transformador y rectificador, la pistola o el portaelectrodo y los cables solamente.

5. Lo que no está cubierto por esta garantía:

A. Las garantías implícitas, incluyendo las garantías de comercialidad y conveniencia para un fin particular SON LIMITADAS A A DURACION EXPRESA DE ESTA GARANTIA. Después de este periodo, todos los riesgos de pérdida, por cualquier razón, será la responsabilidad del propietario del producto. En algunos estados no se permiten limitaciones a la duración de las garantías implícitas, por lo tanto, en tal caso esta limitación o exclusión no es aplicable.

B. CUALQUIER PERDIDA, DAÑO INCIDENTAL, INDIRECTO O CONSECUENTE O GASTO QUE PUEDA RESULTAR DE UN DEFECTO, FALLA O MAL FUNCIONAMIENTO DEL PRODUCTO CAMPBELL HAUSFELD. En algunos estados no se permite la exclusión o limitación de daños incidentales o consecuentes, por lo tanto, en tal caso esta limitación o exclusión no es aplicable.

C. Esta garantía no cubre aquellos accesorios que se desgastarán con el uso normal del producto; la reparación o reemplazo de los mismos será la responsabilidad del propietario. Ejemplos de los productos de desgaste por el uso son (lista parcial): Bouillas de contacto, boquillas, forros internos de la pistola, bobinas, felpa para limpiar el alambre . Además, esta garantía no cubre daños que ocurran al reemplazar o darle servicio a las piezas arriba enumeradas.

D. Cualquier falla que resulte de un accidente, abuso, negligencia o incumplimiento de las instrucciones de funcionamiento y uso indicadas en el(los) manual(es) que se adjuntan al producto.

E. Servicio antes de entrega, por ejemplo ensamblaje y ajustes.

6. Responsibilidades del Garante bajo esta Garantía: Reparar o reemplazar, como lo decida el garante, los productos o componentes defectuosos durante el periodo de validez de la garantía.

7. Responsibilidades del Comprador bajo esta Garantía:

A. Por asistencia con la garantía, por favor llame al 1-800-746-5641

B. Proporcionar comprobante de compra fechado y registros de mantenimiento.

C. Todos los soldadores deben entregarse o enviarse al Centro de Servicio Autorizado más cercano de Campbell Hausfeld. Los costos de flete, si los hubiera, correrán por cuenta del comprador.

D. Hacer uso de un cuidado razonable en la operación y mantenimiento de los productos descritos en el manual del propietario.

8. Cuando efectuará el garante la reparación o reemplazo cubierto bajo esta garantía: La reparación o reemplazo dependerá del flujo normal de trabajo del centro de servicio y de la disponibilidad de repuestos.

Esta garantía limitada le otorga derechos legales específicos y usted también puede tener derechos que varían de un estado a otro.

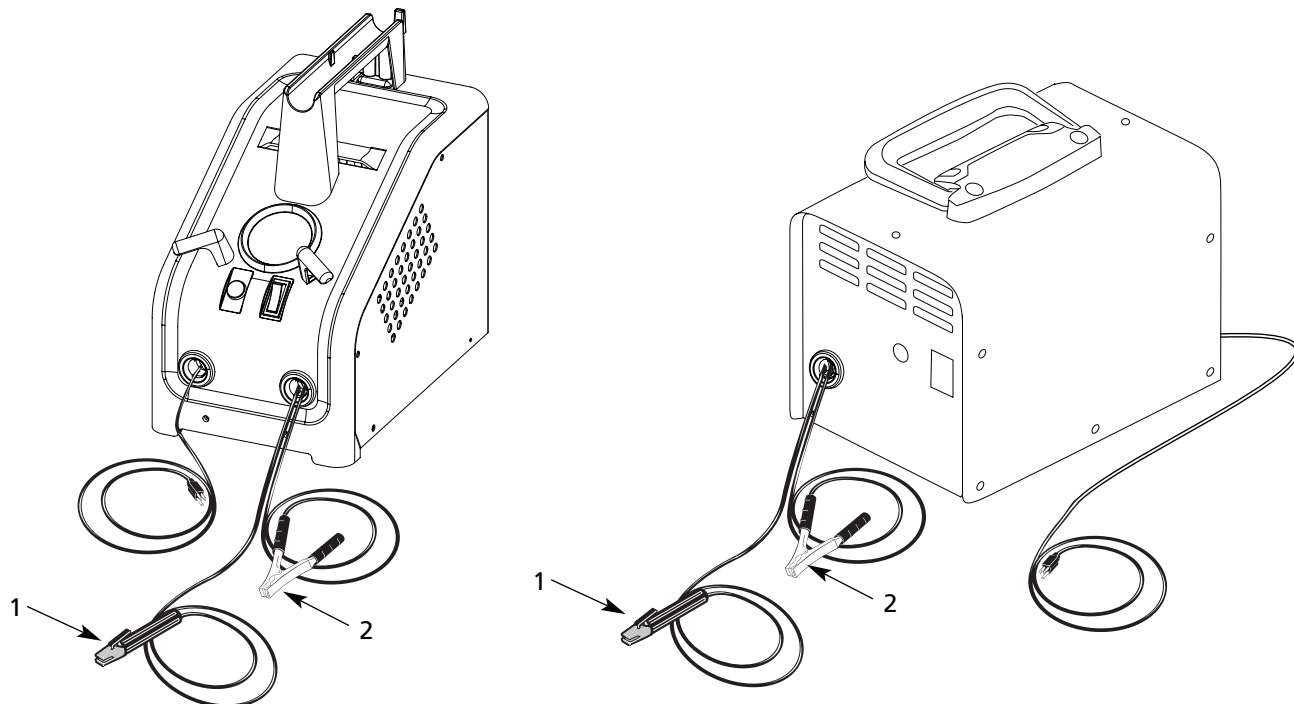
Para ordenar repuestos o asistencia técnica, comuníquese con el distribuidor más cercano a su domicilio

Sírvase suministrarnos la siguiente información:

- Número del modelo
- Número de Serie (de haberlo)
- Descripción y número del repuesto según la lista de repuestos

Puede escribirnos a:

The Campbell Group/ Scott Fetzer
Attn: Parts Department
100 Production Drive
Harrison, OH 45030 U.S.A.



Lista de Repuestos - Modelo WS0970 y WS0990

Ref No.	Description	Part Number	Qty
1	Ensamblaje del portaelectrodos (No incluye el cordón eléctrico)	WC200300AV	1
2	Pinza (No incluye el cordón)	WC100000AV	1
3	Etiqueta de seguridad para WS0970 (no se muestra)	DK687500AV	1
	Etiqueta de seguridad 1 de 2 para WS0990 (no se muestra)	DK687500AV	1
	Etiqueta de seguridad 1 de 2 para WS0990 (no se muestra)	DK687500AV	1
4	Opcionales - Martillo/cepillo cincelador (no se muestra)	WC803400AV	+
5	Opcionales - Máscara de mano (no se muestra)	WC801700AV	+
6	Lentes de la máscara de mano (no se muestra)	WC801100AV	+
7	Electrodos de soldar (no se muestra)		
	1,6 mm (1/16 in.) E6013 (tubo de 0,5 lbs [227 g])	WE103501AV	+
	2 mm (5/64 in.) E6013 (tubo de 0,5 lbs [227 g])	WE103002AV	+
	1,6 mm (1/16 in.) E7014 (tubo de 0,5 lbs [227 g])	WE105502AV	+
	2 mm (5/64 in.) E7014 (tubo de 0,5 lbs [227 g])	WE105001AV	+
	1,6 mm (1/16 in.) autoencendido (tubo de 0,3 lbs [136 g])	WE110001AV	+
8	Casco de soldar (no se muestra)		
	Área de visión 5 x 11 cm (2 in. x 4-1/4 in.)	WT100500AV	+
	Oscurecimiento automático	WT100600AV	+
+	Accesorios opcionales (no se incluyen con el soldador)		

Glosario de terminología usada por soldadores

CA o Corriente Alterna - corriente eléctrica que cambia de dirección periódicamente. Corriente de 60 ciclos se desplaza en ambas direcciones 60 veces por segundo.

Longitud del Arco - la distancia entre el extremo del electrodo y el punto de contacto con la superficie de trabajo.

Metal Básico - el material que se va a soldar.

Unión a tope - la unión de dos miembros alineados aproximadamente en el mismo plano.

Cráter - el vacío que se forma cuando el arco hace contacto con el metal básico.

CD o Corriente Directa - corriente eléctrica que se desplaza en un sólo sentido. La polaridad (+ o -) determina el sentido del desplazamiento.

CD Polaridad Reversa - ocurre cuando el portaelectrodo está conectado al polo positivo de la soldadora. Esta técnica dirige más calor para derretir el electrodo en vez de la pieza de trabajo. Generalmente esta técnica se usa con piezas delgadas.

CD Polaridad Directa - ocurre cuando el portaelectrodo está conectado al polo negativo de la soldadora. Con esta técnica la mayoría del calor se dirige a la pieza de trabajo para lograr una mayor penetración en piezas gruesas.

Electrodo - un alambre de metal con una capa que tiene aproximadamente la misma composición del material que se va a soldar.

Soldadura de Filete - soldadura triangular, para unir dos superficies en ángulo recto, en T o en las esquinas.

Fundente - un material, que al calentarse, emite un gas que cubre el área donde va a soldar. Este gas protege los metales que va a soldar contra las impurezas presentes en el aire.

Soldar con Arcos de Fundente - también se conoce como soldar sin gas, esta técnica para soldar usa una soldadora con alambre. El alambre es tubular y lleno de fundente.

Soldar con Arcos de Metal Gaseoso - es un proceso para soldar usado con una soldadora con alambre. El alambre es sólido y se usa un gas inerte.

Soldar con Arcos de Tungsteno - es un proceso para soldar usado con soldadoras con generadores de alta frecuencia. El arco se crea entre un electrodo no-consumible de tungsteno y la pieza de trabajo. No es indispensable usar un metal de relleno.

Unión de superposición - la unión de dos miembros superpuestos en planos paralelos.

Voltaje de circuito abierto - el voltaje entre el electrodo y la pinza de conexión a tierra de la soldadora cuando no hay flujo de corriente (no se está soldando). Esto determina la rapidez con que se enciende el arco.

Sobremonta - ocurre si el amperaje es demasiado bajo. En este caso, el metal derretido se cae del electrodo sin haberse unido al metal básico.

Porosidad - cavidad que se forma durante la solidificación del área soldada. Las porosidades debilitan la unión.

Penetración - la profundidad que el arco se penetra dentro de la pieza de trabajo durante el proceso de soldar. Para soldar bien se debe lograr 100% de penetración, es decir todo el grosor de la pieza de trabajo se debe derretir y solidificar. El área afectada por el calor se debe ver fácilmente desde el otro lado.

Soldar con arcos protegidos - es un proceso de soldar que usa un electrodo consumible para sostener el arco. La protección se logra al derretir el fundente del electrodo.

Escoria - una capa de residuo de fundente que protege la unión de óxidos y otros contaminantes mientras los metales se solidifican (enfrian). Este se debe limpiar una vez que el metal se haya enfriado.

Salpiqueo - las partículas de metal que salpican durante el proceso de soldar y que se solidifican en la superficie de trabajo. Esto se puede minimizar al rociar un repelente adecuado antes de comenzar a soldar.

Soldadura de puntos - una unión hecha para mantener las piezas alineadas hasta que se haya completado el proceso de soldar.

Angulo de desplazamiento - el ángulo del electrodo con respecto a la línea a soldar. Este varía entre los 5° y 45° según sean las condiciones.

Unión en T - es la unión del borde de una pieza de metal con la superficie de otra en un ángulo de 90°.

Socavación - el resultado de soldar con un amperaje demasiado alto. Esto ocasiona ranuras en ambos lados de la reborde que reduce la resistencia de la unión.

Sedimento - el volumen de metal derretido al soldar antes de que se solidifique como metal soldado.

Reborde - una capa delgada o capas de metal depositado en el metal básico cuando el electrodo se derrite. Generalmente su grosor es el doble del diámetro del electrodo.

Angulo de trabajo - el ángulo del electrodo con respecto a la línea horizontal, medido en ángulos rectos a la línea de soldar.