

Operating Instructions

Please read and save these instructions. Read carefully before attempting to assemble, install, operate or maintain the product described. Protect yourself and others by observing all safety information. Failure to comply with instructions could result in personal injury and/or property damage! Retain instructions for future reference.

Gasoline Engine Air Compressors

Description

These air compressors are designed to provide high air delivery where electricity is not available. The pump supplied with this unit has oil lubricated bearings which cause a small amount of oil carryover to be present in the compressed air stream. Applications requiring air free of oil and water condensation should have the appropriate filters installed. Gasoline engine driven air compressors are mounted on 30 gallon ASME code horizontal tanks. Portable contractor air compressors are mounted on twin 4 gallon tanks for low profile and low center of gravity. All units are equipped with a belt guard and an idle down control to minimize fuel consumption. Applications include tire changers, inflation devices, pneumatic tools and controls, nailers and spraying equipment.

Safety Guidelines

This manual contains information that is very important to know and understand. This information is provided for SAFETY and to PREVENT EQUIPMENT PROBLEMS. To help recognize this information, observe the following symbols.

⚠ DANGER

Danger indicates an imminently hazardous situation which, if not avoided, will result in death or serious injury.

⚠ WARNING

Warning indicates a potentially hazardous situation which, if not avoided, could result in death or serious injury.

⚠ CAUTION

Caution indicates a potentially hazardous situation which, if not avoided, may result in minor or moderate injury.

NOTICE

Notice indicates important information, that if not followed, may cause damage to equipment.

Unpacking


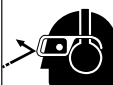
After unpacking the unit, inspect carefully for any damage that may have occurred during transit. Make sure to tighten fittings, bolts, etc., before putting unit into service.

⚠ WARNING

Do not operate unit if damaged during shipping, handling or use. Damage may result in bursting and cause injury or property damage.

General Safety Information

Since the air compressor and other components (pump, spray guns, filters, lubricators, hoses, etc.) used make up a high pressure pumping system, the following safety precautions must be observed at all times:

1. Read all manuals included with this product carefully. Be thoroughly familiar with the controls and the proper use of the equipment. 
2. Follow all local safety codes as well as Occupational Safety and Health Act (OSHA) in the United States.
3. Only persons well acquainted with these rules of safe operation should be allowed to use the compressor.
4. Keep visitors away and NEVER allow children in the work area.
5. Wear safety glasses and use hearing protection when operating the 

⚠ DANGER

Breathable Air Warning

This compressor/pump is NOT equipped and should NOT be used "as is" to supply breathing quality air. For any application of air for human consumption, you must fit the air compressor/pump with suitable in-line safety and alarm equipment. This additional equipment is necessary to properly filter and purify the air to meet minimal specifications for Grade D breathing as described in Compressed Gas Association Commodity Specification G 7.1 - 1966, OSHA 29 CFR 1910. 134, and/or Canadian Standards Associations (CSA).

DISCLAIMER OF WARRANTIES IN THE EVENT THE COMPRESSOR IS USED FOR THE PURPOSE OF BREATHING AIR APPLICATION AND PROPER IN-LINE SAFETY AND ALARM EQUIPMENT IS NOT SIMULTANEOUSLY USED, EXISTING WARRANTIES ARE VOIDED, AND THE MANUFACTURER DISCLAIMS ANY LIABILITY WHATSOEVER FOR ANY LOSS, PERSONAL INJURY OR DAMAGE.

pump or unit.

6. Do not stand on or use the pump or unit as a handhold.
7. Before each use, inspect compressed air system, fuel system and electrical components for signs of damage, deterioration, weakness or leakage. Repair or replace defective items before using.
8. Check all fasteners at frequent intervals for proper tightness.

REMINDER: Keep your dated proof of purchase for warranty purposes! Attach it to this manual or file it for safekeeping.

General Safety Information (Continued)

⚠WARNING

Carbon monoxide can cause severe nausea, fainting or death. Do not operate unit inside a closed building or a poorly ventilated area.



⚠WARNING

Never operate compressor without a beltguard. Compressors can start automatically without warning. Personal injury or property damage could occur from contact with moving parts.



- Do not wear loose clothing or jewelry that will get caught in the moving parts of the unit.

⚠CAUTION

Compressor parts may be hot even if the unit is stopped.



- Keep fingers away from a running compressor; fast moving and hot parts will cause injury and/or burns.
- If the equipment should start to vibrate abnormally, STOP the engine/motor and check immediately for the cause. Vibration is generally a warning of trouble.

⚠WARNING

NEVER refuel a running or hot engine. Explosive fuel can cause fires and severe burns. Avoid overfilling fuel tank.



- Check fuel level before starting the engine. Do not fill the gas tank indoors. Wipe off any spilled gas before starting the engine.

⚠DANGER

Gasoline vapor is highly flammable. Refill outdoors or only in well ventilated areas. Do not store, spill or use gasoline near an open flame or heat devices such as a stove, furnace, or water heater, which utilize a pilot light, or any device that can create a spark. If gasoline is accidentally spilled, move unit away from the spill area and avoid creating any source of ignition until gasoline vapors have dissipated.

- To reduce fire hazard, keep engine/motor exterior free of oil, solvent, or excessive grease.

⚠WARNING

This compressor is equipped with an ASME code safety valve with a pressure setting of 200 psi for two-stage compressors or 150 psi for single-stage compressors. Should this ASME code safety valve require replacement, the replacement valve must have the same flow and pressure ratings as the original valve to protect the pressurized components from bursting. The flow and pressure ratings can be found on the valve. NEVER REMOVE AND REPLACE THIS SAFETY VALVE WITH A PLUG. The safety valve in the intercooler of a two-stage compressor does not provide system protection.

⚠CAUTION

Maximum operating pressure is 175 psi for two-stage compressors and 125 psi for single stage compressors. Do not operate with pressure switch or pilot valves set higher than 175 psi (two-stage) or 125 psi (single stage).

- Never attempt to adjust safety valve. Keep safety valve free from paint and other accumulations.
- Do not tamper with governor setting on engine. Overspeeding the unit severely shortens engine life and may also be very hazardous.

⚠DANGER

Never attempt to repair or modify a tank! Welding, drilling or any other modification will weaken the tank resulting in damage from rupture or explosion. Always replace worn or damaged tanks.



- Tanks rust from moisture build-up, which weakens the tank. Make sure to drain tank regularly and inspect periodically for unsafe conditions such as rust formation and corrosion.
- Fast moving air will stir up dust and debris which may be harmful. Release air slowly when draining moisture or depressurizing the compressor system.
- STOP the engine whenever leaving the work area, before cleaning, making repairs or inspections. When cleaning, repairing or inspecting, make certain all moving parts have stopped. Disconnect the spark plug wire and keep the wire

away from the plug to prevent accidental starting.

- Allow engine to cool before storing.

SPRAYING PRECAUTIONS

⚠WARNING

Do not spray flammable materials in vicinity of open flame or near ignition sources including the compressor unit.



- Do not smoke when spraying paint, insecticides, or other flammable substances.
- Use a face mask/respirator when spraying and spray in a well ventilated area to prevent health and fire hazards.
- Do not direct paint or other sprayed material at the compressor. Locate compressor as far away from the spraying area as possible to minimize overspray accumulation on the compressor.
- When spraying or cleaning with solvents or toxic chemicals, follow the instructions provided by the chemical manufacturer.



Installation

⚠WARNING

Disconnect the battery cable on models with electric start and release all pressure from the system before attempting to install, service, relocate or perform any maintenance.



⚠CAUTION

Do not lift or move unit without appropriately rated equipment. Be sure the unit is securely attached to lifting device used. Do not lift unit by holding onto tubes or interstage coolers. Do not use unit to lift other attached equipment. Never use the wood shipping skids for mounting the compressor.

The compressor should be installed on a level floor or foundation of sufficient strength and rigidity to support it without vibrating. It is recommended to use shims under the mounting feet to level the compressor, to prevent "rocking" and excessive vibration. To reduce

Installation (Continued)

vibration, isolator pads, Model A4000150AJ, are recommended. When isolators are used, install a flexible coupling between the tank and any pipe permanently attached to the tank.

CAUTION

When permanently installing compressor for stationary use or mobile use such as on a truck, avoid overstressing a mounting foot by "pulling the foot down" to the floor. This may cause eventual failure.

Install and operate unit at least 24" from any obstructions in a clean, well ventilated area. This will ensure an unobstructed flow of air to cool the compressor and allow adequate space for maintenance. Never operate compressor in a small, closed room. Vent the engine exhaust to outside.

CAUTION

Do not locate the compressor air inlet near steam, paint spray, sandblast areas or any other source of contamination.

Assembly

TANK

(OUTLET VALVE SOLD SEPARATELY ON ALL MODELS)

Assemble the outlet valve to the pipe nipple. Install assembled valve in either end of the tank.

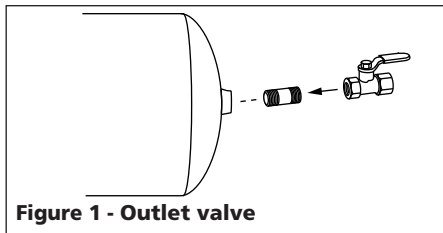


Figure 1 - Outlet valve

STARTER SOLENOID (UNIT WITH ELECTRIC START ONLY)

1. Disconnect negative cable from battery terminal before attaching wires to the solenoid.
2. Remove the 1/4" nut from the left stud. Do not make contact with the

right stud to avoid possible engine ignition.

3. Attach the positive (red) battery cable to the left stud and reinstall the 1/4" nut. Tighten the nut one full turn after it is finger tight (See Figure 2).

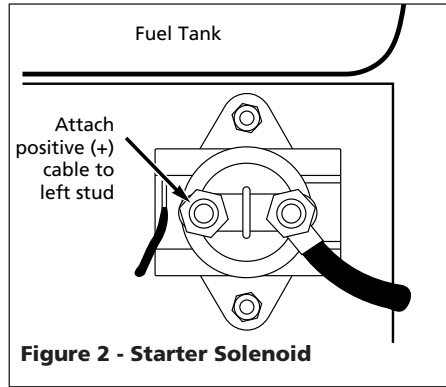


Figure 2 - Starter Solenoid

4. Attach the negative (black) battery cable to a convenient ground. The best place is at the engine mounting bolt. Other secure places on the engine are suitable.
5. Reattach the negative cable to the battery.

NOTICE

Failure to install appropriate water/oil removal equipment may result in damage to machinery or workpiece.

ENGINE LUBRICATION

This unit is shipped without oil. Before operating, oil must be added. See the engine manual for recommended engine lubrication.

Operation

All lubricated compressor pumps discharge some condensed water and oil with the compressed air. Install appropriate water/oil removal equipment and controls as necessary for the intended application.

PUMP LUBRICATION

All moving parts must be guarded. All electrical covers must be installed before turning on the power.

CAUTION

THIS UNIT CONTAINS NO OIL. Before

operating compressor, fill pump crankcase with compressor oil as instructed.

Some residual oil may still be in the pump leaving a thin coat on the sight glass, however; there is not enough oil to operate the unit. Fill pump with compressor oil, model P/NST127000AV, available at your local store, or any single-viscosity, ISO100 (SAE 30), non-detergent, compressor oil. For ambient temperature between 32°F and 55°F, use ISO 68 (SAE 20W20) oil. Add oil only through the oil fill plug (See Figure 3). Fill to the center of the sight gauge. Pouring oil into any other orifice will cause oil to leak and spray out during operation.

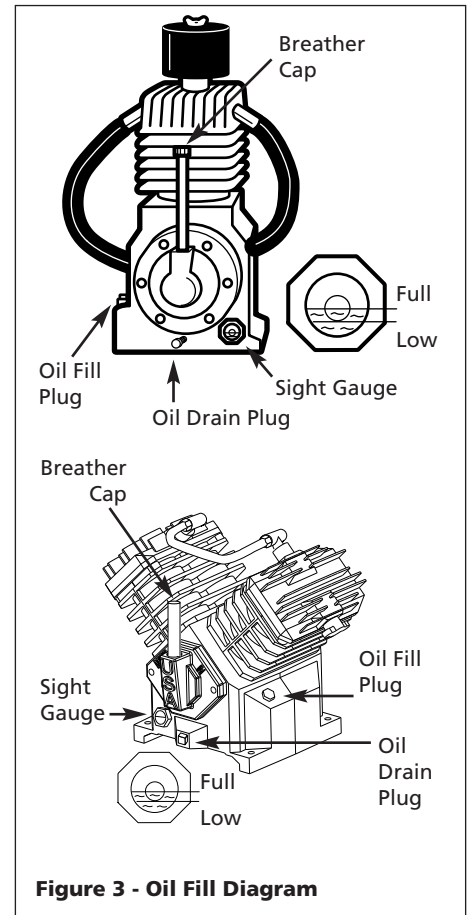


Figure 3 - Oil Fill Diagram

NOTE: Use of automotive engine oil will cause carbon deposits to build up on the valves. This will shorten the life expectancy and will require more frequent service to the valves. Do not use ATF hydraulic fluid, two-cycle oil or any oil treatment product. Do not use diester synthetic oil.

Operation (Continued)

NOTICE

Before starting the compressor, thoroughly read all component instruction manuals, especially the engine manual.

DANGER

A belt guard must be installed before operating the unit.



1. Do not operate compressor higher than the rated speed. Excessive engine speeds can damage the compressor and engine.
2. Before starting the compressor, always put toggle lever in unload position (See Figure 4).

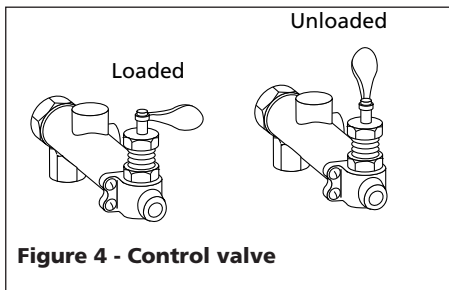


Figure 4 - Control valve

CAUTION

Do not disconnect battery from engine ignition while compressor is running (models w/electric start only).

3. Check the oil level in the compressor and engine crankcase and add oil if required.
4. Fill fuel tank with clean, fresh, regular unleaded (or regular leaded if not available) grade of automotive gasoline. Do not mix oil with gasoline.
5. When putting unit into service for the first time, the compressor should be run continuously for one hour to allow proper seating of the piston rings.
 - a. Open drain cock on the tank and run the compressor unloaded for

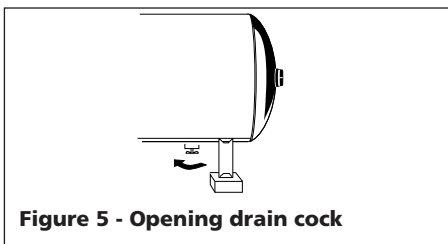


Figure 5 - Opening drain cock

60 minutes (See Figure 5).

- b. Turn off the compressor and close drain cock. The compressor is now ready for use.
6. On cold weather start-up, run unit unloaded for 10-20 minutes to warm up compressor and engine.
 7. Some vibration is common for the first 2 to 3 hours of operation. This vibration will decrease after the belt and pulley seat.

If the compressor is run under humid conditions for short periods of time, the humidity will condense in the crankcase and cause the oil to look creamy. Oil contaminated by condensed water will not provide adequate lubrication and must be changed immediately. Using contaminated oil will damage bearings, pistons, cylinders and rings and is not covered under warranty. To avoid water condensation in the oil, periodically run the compressor with tank pressure at 20 psi under maximum pressure setting by opening the drain cock or an air valve connected to the tank or hose. Run the pump for an hour at a time at least once a week or more often if the condensation reoccurs.

NOTICE

Change oil after first 50 hours of operation.

CONTINUOUS RUN OPERATION

Continuous run operation is designed for gasoline engine units to ensure the required air pressure is always available and to eliminate the need for frequent starting. The engine and the pump continuously run to keep the air tank at maximum operating pressure.

IDLE DOWN/UNLOADING

This unit is equipped with idle down/unloading control. To check operation:

1. Close outlet valve (See Figure 1).
2. Start compressor and allow pressure to reach proper limit of control valve (See Figure 4) which is set at 175 psi for 2 stage compressor, and 125 psi for single stage compressor.

At this point, the compressor should unload through the breather bushing on control valve and the engine should idle down.

3. Open outlet valve and allow pressure in tank to drop to lower limit of control valve which is preset at 145 psi (2 stage) or 90 psi (single stage). At this point the control valve should close allowing the compressor to begin loading the tank instead of discharging through the breather bushing.
4. Do not alter pressure settings on control valve or governor setting on engine. If lower pressures are required this should be accomplished with a separate pressure regulator after the outlet valve. Compressor has a maximum operating pressure limit of 175 psi (two stage) and 125 psi (single stage) and should not be operated beyond this limit.

CRANKCASE BREATHER

During severe operating conditions or initial start-up, some oil may accumulate at the crankcase breather opening. This is normal and will diminish as the pump accumulates run time and rings become fully seated.

Maintenance

WARNING

Disconnect the battery cable, then release all pressure from the system before attempting to install, service, relocate or perform any maintenance.



In order to maintain efficient operation of the compressor system, check the air filter and oil level before each use. The ASME safety valve should also be checked daily. Pull ring on safety valve and allow the ring to snap back to normal position (See Figure 6). This valve automatically releases air if the tank pressure exceeds the preset maximum. If air leaks after the ring has been released, or the valve is stuck and cannot be actuated by the ring, the ASME safety valve must be replaced.

Maintenance (Continued)

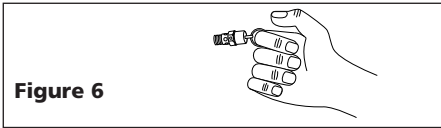


Figure 6

⚠ DANGER

Do not attempt to tamper with the ASME safety valve.

⚠ DANGER

Never attempt to repair or modify a tank! Welding, drilling or any other modification will weaken the tank resulting in damage from rupture or explosion. Always replace worn, cracked or damaged tanks.



NOTICE

Drain liquid from tank daily.

The tank should be carefully inspected at a minimum of once a year. Look for cracks forming near the welds. If a crack is detected, remove pressure from tank immediately and replace.

COMPRESSOR LUBRICATION

Add oil for the pump as required. The oil should be changed every three months or after every 500 hours of operation; whichever comes first. See Replacement Parts Manual for oil quantity

IMPORTANT: The gasoline engine requires more frequent oil changes. Read engine maintenance instructions for other periodic service requirements not covered here.

AIR FILTER

Never run the compressor pump without an intake air filter nor with a clogged intake air filter. Use compressed air to blow the filter clean. Do not wash or oil the element. If the filter cannot be blown clean, the filter must be replaced. Operating compressor with a dirty filter can cause high oil consumption and increase oil contamination in the discharge air.

INTERCOOLER (TWO-STAGE ONLY)

The intercooler provides cooling to reduce temperature and power consumption.

⚠ WARNING

Intercooler fins are sharp. Always wear gloves and use care when cleaning or working near the intercooler.

Check the intercooler weekly to ensure all fittings are secure and tight. Blow all dirt, dust and other accumulations from the intercooler fins.

COMPONENTS

IMPORTANT: Read engine maintenance instructions for applicable service recommendations.

Turn off all power and use light air pressure to blow dust and foreign material from cylinder head, engine, fan blades, air lines, intercooler and tank on a monthly basis.

Use a soap solution to check entire system for air leakage around fittings, etc. Tighten nuts and capscrews as required.

BELTS

⚠ WARNING

Disconnect the battery cable, then drain the tank to prevent unexpected movement of the unit.

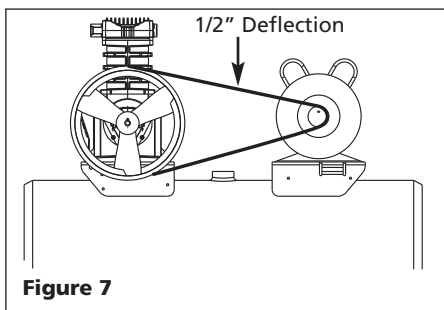


Figure 7

Check belt tension every 3 months. Adjust belt tension to allow 3/8 to 1/2" deflection with normal thumb pressure.

Also, align belts using a straight edge against the face of the flywheel and touching the rim on both sides of the face. The belts should be parallel to the straight edge to ensure proper alignment of the belts (See Figure 8).

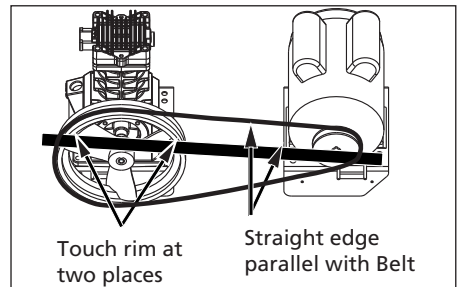


Figure 8

STORAGE

If compressor is to be stored for a short period of time, make sure that it is stored in a normal position and in a cool protected area. If the unit is to be stored for more than 30 days, completely drain the engine of fuel and oil. See engine manual for storage instructions.

MAINTENANCE SCHEDULE

Operation	Daily	Weekly	Monthly	3 Months
Check Safety Valve	●			
Drain Tank (See Figure 5)	●			
Check Oil Level	●			
Check Air Filter	●			
Check Intercooler		●		
Clean Unit Components			●	
Check Belt Tightness				●
Change Oil (See Figure 3)				●

Troubleshooting Chart

Symptom	Possible Cause(s)	Corrective Action
Excessive noise in operation	<ol style="list-style-type: none"> 1. Loose pulley, flywheel, belt, belt guard, cooler, clamps or accessories 2. Lack of oil in crankcase 3. Piston hitting the valve plate 4. Compressor floor mounting loose 5. Defective crankcase 6. Excessive crankcase end play 	<ol style="list-style-type: none"> 1. Tighten 2. Check for possible damage to bearings, replenish oil 3. Remove the compressor cylinder head and inspect for foreign matter on top of the piston. Replace with a new gasket and reassemble the head 4. Tighten 5. Repair or replace 6. Adjust and shim properly
Knock – same cycle as RPM of pump	<ol style="list-style-type: none"> 1. Main bearings 2. Connecting rod bearings 3. Loose flywheel 	<ol style="list-style-type: none"> 1. Replace bearings 2. Replace rod 3. Tighten
Knock occurs while compressor is loading	<ol style="list-style-type: none"> 1. Connecting rod bearings 2. Wrist pins, wrist pin bearings 3. Loose connecting rod nut 	<ol style="list-style-type: none"> 1. Replace rod 2. Replace complete piston assembly 3. Tighten
Milky oil in oil reservoir	Water entering oil reservoir due to compressor operating in high humidity environment	<ol style="list-style-type: none"> a. Pipe air intake to less humid air source b. Service unit (change oil, clean or replace air cleaner element, drain tank) more often
Excessive oil consumption	<ol style="list-style-type: none"> 1. Restricted air intake 2. Oil leaks 3. Worn piston rings 4. Wrong oil viscosity 5. Compressor tilted too much 6. Scored cylinder 	<ol style="list-style-type: none"> 1. Clean or replace air filter 2. Tighten bolts or replace gasket 3. Replace rings 4. Drain oil, refill with oil of proper viscosity. See "Pump Lubrication" 5. Level compressor 6. Replace cylinder and rings
Oil in discharge air	<ol style="list-style-type: none"> 1. Compressor air intake restricted 2. Worn piston rings 3. Excessive oil in compressor 4. Wrong oil viscosity 	<ol style="list-style-type: none"> 1. Clean air filter element and check for other restrictions in the intake system 2. Replace rings 3. Drain down to proper level 4. Check viscosity. See " Pump Lubrication"
Compressor vibrates	<ol style="list-style-type: none"> 1. Mounting bolts loose 2. Compressor not properly mounted 3. Pulley and flywheel mis-aligned 4. Belts loose or mismatched 5. Bent crankshaft 	<ol style="list-style-type: none"> 1. Tighten 2. Level compressor so that all feet touch the floor before tightening down. Use shims if necessary 3. Realign 4. Tighten belts. See "Maintenance" section 5. Replace crankshaft
Air blowing out of inlet	Broken inlet valve	Replace valve plate assembly
Insufficient pressure at point of use	<ol style="list-style-type: none"> 1. Leaks or restriction 2. Restricted air intake 3. Slipping belts 4. Service hose or pipe too small 5. Excessive air requirement 	<ol style="list-style-type: none"> 1. Check for leaks or restriction in hose or piping. Repair or replace 2. Clean or replace air filter element 3. Tighten belts, See "Maintenance" section 4. Replace with larger hose or pipe 5. Limit air usage to compressor capacity by using fewer or smaller tools

Troubleshooting Chart (Continued)

Symptom	Possible Cause(s)	Corrective Action
Insufficient pressure at point of use (Continued)	6. Broken valve	6. Replace reed valve assembly
Tank does not hold pressure when compressor is unloaded	Air leak in system	Locate and repair leak ⚠ DANGER <i>Never attempt to repair or modify a tank!</i>
Excessive belt wear	1. Pulley out of alignment 2. Belts too tight 3. Belts too loose 4. Pulley or flywheel wobble 5. Damage in belt groove of pulley or flywheel	1. Realign motor pulley with compressor flywheel 2. Adjust tension. See "Maintenance" section 3. Adjust tension. See "Maintenance" section 4. Check for worn crankshaft, keyway or pulley bore, resulting from running with loose pulleys. Check for bent crankshaft 5. File smooth or replace
Excessive discharge air temperature	1. Dirty cooling surfaces 2. Poor ventilation 3. Blown head gasket 4. Restricted air intake 5. Worn valves	1. Clean cooling surfaces of cylinder, intercooler and discharge tube 2. Improve ventilation or relocate compressor 3. Replace head gasket 4. Clean or replace air filter element 5. Replace valve plate assembly
Tank pressure builds up slowly	1. Dirty air filter 2. Blown cylinder head gasket 3. Worn or broken intake or discharge valves 4. Air leaks 5. Loose belts 6. Speed too slow	1. Clean or replace filter element 2. Install new gasket 3. Install new valve plate assembly 4. Tighten joints 5. Tighten belts. See "Maintenance" section 6. Check speed. See "Performance" chart
Tank pressure builds up quickly on compressor	1. Water in tank 2. Speed too fast	1. Drain tank. (This should be done DAILY) 2. Check speed. See specifications in replacement parts list
Compressor continues to build up pressure after unloading pressure is reached	1. Severe air leak in pilot unloader valve 2. Restriction in unloader lines	1. Check all fittings and lines and replace those which leak 2. Remove cause of restriction
Engine stalls	Toggle lever on pilot unloader valve in loaded position	Flip toggle level up into the unload position
Gasoline engine will not start	Low engine oil. Some engines equipped with low-oil shutdown	Add oil to proper level
ASME safety valve pops open while compressor is running	1. Wrong unloader valve setting 2. Defective ASME safety valve	1. Adjust to lower pressure (175 maximum psi for two-stage unit or 125 psi for single stage unit). (See Operation) 2. Replace valve

Limited Warranty

1. **DURATION:** From the date of purchase by the original purchaser as follows: Standard Duty - One Year; Serious Duty - Two Years; Extreme Duty - Three Years; Maxus Model Series - Five Years.
2. **WHO GIVES THIS WARRANTY (WARRANTOR):**
Campbell Hausfeld / Scott Fetzer Company, 100 Production Drive, Harrison, Ohio, 45030, Telephone: (800) 543-6400
3. **WHO RECEIVES THIS WARRANTY (PURCHASER):** The original purchaser (other than for purposes of resale) of the Campbell Hausfeld compressor.
4. **WHAT PRODUCTS ARE COVERED BY THIS WARRANTY:** Any Campbell Hausfeld air compressor.
5. **WHAT IS COVERED UNDER THIS WARRANTY:** Substantial defects due to material and workmanship with the exceptions noted below.
6. **WHAT IS NOT COVERED UNDER THIS WARRANTY:**
 - A. Implied warranties, including those of merchantability and FITNESS FOR A PARTICULAR PURPOSE ARE LIMITED FROM THE DATE OF ORIGINAL PURCHASE AS STATED IN THE DURATION. If this compressor is used for commercial, industrial or rental purposes, the warranty will apply for ninety (90) days from the date of purchase. Extreme Duty Contractor Compressors and Maxus branded compressors are not limited to a ninety (90) day warranty when used in contractor applications. Four cylinder single-stage and two-stage compressors are not limited to a ninety (90) day warranty when used in commercial or industrial applications. Some States do not allow limitations on how long an implied warranty lasts, so the above limitations may not apply to you.
 - B. ANY INCIDENTAL, INDIRECT, OR CONSEQUENTIAL LOSS, DAMAGE, OR EXPENSE THAT MAY RESULT FROM ANY DEFECT, FAILURE, OR MALFUNCTION OF THE CAMPBELL HAUSFELD PRODUCT. Some States do not allow the exclusion or limitations of incidental or consequential damages, so the above limitation or exclusion may not apply to you.
 - C. Any failure that results from an accident, purchaser's abuse, neglect or failure to operate products in accordance with instructions provided in the owner's manual(s) supplied with compressor.
 - D. Pre-delivery service, i.e. assembly, oil or lubricants, and adjustment.
 - E. Items or service that are normally required to maintain the product, i.e. lubricants, filters and gaskets, etc.
 - F. Gasoline engines and components are expressly excluded from coverage under this limited warranty. The Purchaser must comply with the warranty given by the engine manufacturer which is supplied with the product.
 - G. Additional items not covered under this warranty:
 1. All Compressors
 - a. Any component damaged in shipment or any failure caused by installing or operating unit under conditions not in accordance with installation and operation guidelines or damaged by contact with tools or surroundings.
 - b. Pump or valve failure caused by rain, excessive humidity, corrosive environments or other contaminants.
 - c. Cosmetic defects that do not interfere with compressor functionality.
 - d. Rusted tanks, including but not limited to rust due to improper drainage or corrosive environments.
 - e. Electric motors, check valves and pressure switches after the first year of ownership.
 - f. Drain cocks.
 - g. Damage due to incorrect voltage or improper wiring.
 - h. Other items not listed but considered general wear parts.
 - i. Pressure switches, air governors and safety valves modified from factory settings.
 2. Lubricated Compressors
 - a. Pump wear or valve damage caused by using oil not specified.
 - b. Pump wear or valve damage caused by any oil contamination or by failure to follow proper oil maintenance guidelines.
 3. Belt Drive / Direct Drive / Gas Driven Compressors
 - a. Belts.
 - b. Ring wear or valve damage from inadequate filter maintenance.
 - c. Manually adjusted load/unload and throttle control devices.
7. **RESPONSIBILITIES OF WARRANTOR UNDER THIS WARRANTY:** Repair or replace, at Warrantor's option, compressor or component which is defective, has malfunctioned and/or failed to conform within duration of the warranty period.
8. **RESPONSIBILITIES OF PURCHASER UNDER THIS WARRANTY:**
 - A. Provide dated proof of purchase and maintenance records.
 - B. Portable compressors or components must be delivered or shipped to the nearest Campbell Hausfeld Authorized Service Center. Freight costs, if any, must be borne by the purchaser.
 - C. Use reasonable care in the operation and maintenance of the products as described in the owner's manual(s).
9. **WHEN WARRANTOR WILL PERFORM REPAIR OR REPLACEMENT UNDER THIS WARRANTY:** Repair or replacement will be scheduled and serviced according to the normal work flow at the servicing location, and depending on the availability of replacement parts.

This Limited Warranty applies in the U.S., Canada and Mexico only and gives you specific legal rights. You may also have other rights which vary from State to State or country to country.

Instructions D'Utilisation

S'il vous plaît lire et conserver ces instructions. Lire attentivement avant de monter, installer, utiliser ou de procéder à l'entretien du produit décrit. Se protéger ainsi que les autres en observant toutes les instructions de sécurité, sinon, il y a risque de blessure et/ou dégâts matériels! Conserver ces instructions comme référence.

Compresseur D'Air Avec Un Moteur À Essence

Description

Ce compresseur a été conçu pour fournir un haut débit d'air là où l'électricité n'est pas disponible. La pompe fournie avec ce modèle a des paliers graissés par l'huile. Ceci cause un petit réservoir d'huile dans le jet d'air comprimé. Il est nécessaire d'installer les filtres convenables pour les applications qui exigent de l'air qui est libre d'huile et de condensation d'eau. Les compresseurs stationnaires avec moteurs à essence sont montés sur des réservoirs horizontaux de 114 litres ASME. Les compresseurs d'air portatifs pour entrepreneurs sont montés sur des réservoirs doubles de 15 litres pour une silhouette compacte et un centre de gravité bas. Tous les modèles sont équipés d'un carter de courroie et d'une commande au ralenti afin de minimiser la consommation du carburant. Le modèle est idéal pour les changeurs de pneus, les gonfleurs, les outils et commandes pneumatiques, les outils de fixation et l'équipement de pulvérisation.

Directives De Sécurité

Ce manuel contient de l'information très importante qui est fournie pour la SÉCURITÉ et pour ÉVITER LES PROBLÈMES D'ÉQUIPEMENT. Rechercher les symboles suivants pour cette information.

⚠ DANGER

Danger indique une situation hasardeuse imminente qui RÉSULTERA en perte de vie ou blessures graves.

⚠ AVERTISSEMENT

Avertissement indique une situation hasardeuse potentielle qui PEUT résulter en perte de vie ou blessures graves.

⚠ ATTENTION

Attention indique une situation hasardeuse potentielle qui PEUT résulter en blessures.

AVIS

Avis indique de l'information importante pour éviter le dommage de l'équipement.

Déballage


Lors du déballage, l'examiner soigneusement pour rechercher toute trace de dommage susceptible de s'être produit en cours de transport. Serrer tous raccords, boulons, etc., avant d'utiliser le modèle.

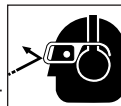
⚠ AVERTISSEMENT

Ne pas utiliser un modèle qui a été endommagé pendant le transport, la manipulation ou l'utilisation. Le dommage peut résulter en éclatement et peut causer des blessures ou dégâts matériels.

Généralités sur la Sécurité

Puisque le compresseur d'air et les autres pièces détachées (pompe, pistolets, filtres, graisseurs, tuyaux, etc.) font partie d'un système de haute pression, il est nécessaire de suivre les précautions suivantes:

1. Lire attentivement tous manuels compris avec ce produit. Se familiariser avec ce produit, ses commandes et son utilisation. 
2. Suivre tous les codes de sécurité locaux ainsi que l'Occupational Safety and Health Act (OSHA) des É.-U.
3. Seules les personnes bien familiarisées avec ces règles d'utilisation doivent être autorisées à se servir du compresseur.
4. Garder les visiteurs à l'écart de/et NE JAMAIS permettre les enfants dans l'endroit de travail.
5. Utiliser des lunettes de sécurité et la protection auditive pendant l'utilisa-



⚠ DANGER

Avertissement D'Air Respirable

Ce compresseur/pompe N'EST PAS équipé pour et NE DEVRAIT PAS être utilisé "comme soi" pour fournir de l'air respirable. Pour les applications d'air pour la consommation humaine, il est nécessaire d'équiper le compresseur d'air/pompe avec de l'équipement de sécurité en canalisation et d'alarme convenable. Cet équipement additionnel est nécessaire pour filtrer et purifier l'air afin d'atteindre les spécifications minimales pour la respiration Grade D décrite dans le Compressed Gas Association Commodity Specification G 7.1 - 1966, OSHA 29 CFR 1910. 134, and/or Canadian Standards Associations (CSA).

DÉNÉGATION DES GARANTIES SI LE COMPRESSEUR EST UTILISÉ POUR LES APPLICATIONS D'AIR RESPIRABLE ET L'ÉQUIPEMENT DE SÉCURITÉ EN CANALISATION ET D'ALARME N'EST PAS UTILISÉ SIMULTANÉMENT, LES GARANTIES EN EXISTANCE SERONT ANNULÉES, ET LE FABRICANT NIE TOUTE RESPONSABILITÉ POUR N'IMPORTE QUELLE PERTE, BLESSURE OU DOMMAGE.

tion du modèle.

6. Ne pas se tenir debout sur/ou utiliser le modèle comme une prise à main.
7. Inspecter le système d'air comprimé, le système d'essence et les pièces détachées électriques pour toute indication de dommage, détérioration, faiblesse ou fuites avant chaque utilisation. Réparer ou remplacer toutes pièces défectueuses avant l'utilisation.

MÉMENTO: Gardez votre preuve datée d'achat à fin de la garantie!
Joignez-la à ce manuel ou classez-la dans un dossier pour plus de sécurité.

Généralités sur la Sécurité (suite)

8. Inspecter le degré de serrage de toutes les attaches par intervalles réguliers.

⚠️ AVERTISSEMENT

L'oxyde de carbone peut causer la nausée sévère, l'évanouissement et la perte de vie. Ne pas utiliser ce modèle dans un espace clos ou malventilé.



⚠️ AVERTISSEMENT

Ne jamais faire fonctionner un compresseur sans carter de courroie. Les compresseurs peuvent se démarrer sans avis. Le contact avec les pièces mobiles peut causer des blessures personnelles ou dégâts matériels.



9. Ne pas porter des vêtements flottants ou des bijoux qui peuvent se prendre dans les pièces mobiles du modèle.

⚠️ ATTENTION

Les pièces du compresseur peuvent être chaudes, même si le modèle est hors circuit.



10. Garder les doigts à l'écart du compresseur; les pièces mobiles et chaudes peuvent causer des blessures et/ou des brûlures.
11. Si l'équipement vibre anormalement, ARRÊTER le moteur et l'inspecter immédiatement. La vibration est généralement une indication d'un problème.

⚠️ AVERTISSEMENT

NE JAMAIS faire le plein d'essence d'un moteur qui est en marche ou chaud. Le carburant peut exploser et causer l'incendie ou des brûlures sévères. Ne pas trop remplir le réservoir.



12. Vérifier le niveau de carburant avant le démarrage. Ne pas remplir le réservoir à essence à l'intérieur. Essuyer tous déversements avant le démarrage du moteur.

⚠️ DANGER

Les vapeurs d'essence sont inflammables. Remplir seulement en plein air ou dans un endroit bien ventilé. Ne pas emmagasiner, renverser ou utiliser l'essence près d'une flamme ouverte ou aucun dispositif qui produit la chaleur tel qu'un poêle, un fourneau ou un chauffe-eau qui utilise une lampe témoin ou un autre appareil qui peut produire une étincelle. S'il y a un déversement acciden-

tel d'essence, déménager le modèle et éviter toutes sources d'allumage jusqu'à ce que toutes les vapeurs se sont dissipées.

13. Pour réduire le risque d'incendie, garder l'extérieur du moteur libre d'huile, de solvant ou de graisse excessive.

⚠️ AVERTISSEMENT

Ce compresseur est équipé d'une soupape de sûreté ASME avec un réglage de pression de 1379 kPa pour les compresseurs à deux étages ou 1034 kPa pour les compresseurs à une étage. Si cette soupape de sûreté ASME doit être remplacée, la soupape de rechange doit porter la même classification de débit et de pression que la soupape originelle afin de protéger les pièces détachées pressurisées contre l'éclatement. Les classifications de débit et de pression sont indiquées sur la soupape. NE JAMAIS ENLEVER ET REMPLACER CETTE SOUPAPE DE SÛRETÉ AVEC UN BOUCHON. La soupape de sûreté dans le refroidisseur interne d'un compresseur à deux étages ne fournit pas de protection pour le système.

⚠️ ATTENTION

La pression maximale de service est 1207 kPa pour les compresseurs à deux étages et 862 kPa pour les compresseurs à une étage. Ne pas utiliser avec un manostat ni des soupapes qui sont réglés plus que 1207 kPa (deux étages) ou 862 kPa (une étage).

14. Ne jamais essayer d'ajuster la soupape de sûreté. Garder la soupape de sûreté libre de peinture et autres accumulations.
15. Ne pas trifouiller avec les ajustements du régulateur. Le fonctionnement du moteur aux excès de vitesse raccourcira la durée du moteur et peut être très hasardeux.

⚠️ DANGER

Ne jamais essayer de réparer ou de modifier un réservoir! Le soudage, perçage ou autre modifications peuvent affaiblir le réservoir et peut résulter en dommage de rupture ou d'explosion. Toujours remplacer un réservoir usé, fendu ou endommagé.



16. L'accumulation d'humidité cause la rouille qui peut affaiblir le réservoir. Purger le réservoir quotidiennement et l'inspecter périodiquement pour la rouille et la corrosion ou autre dommage.
17. L'air mouvante peut agiter la poussière et le débris qui peut être dangereux. Lâcher l'air lentement en

purgeant l'humidité ou pendant la dépressurisation du système de compresseur.

18. ARRÊTER le moteur en quittant l'endroit du travail et avant de nettoyer, inspecter ou de procéder à l'entretien du modèle. Assurer que toutes pièces mobiles sont arrêtées avant de nettoyer, réparer ou inspecter le modèle. Débrancher le fil de la bougie et garder ce fil à l'écart de la bougie pour éviter un démarrage accidentel.

19. Permettre que le moteur se refroidisse avant de l'emmagasiner.

PRÉCAUTIONS DE PULVÉRISATION

⚠️ AVERTISSEMENT

Ne pas pulvériser les matériaux inflammables dans un endroit de flammes ouvertes ni près d'une source d'ignition y compris le compresseur.



20. Ne pas fumer pendant la pulvérisation de la peinture, d'insecticides ou autres matières inflammables.
21. Utiliser un masque/respirateur pendant la pulvérisation et pulvériser dans un endroit bien ventilé pour éviter le risque de blessures et d'incendie.
22. Ne pas diriger la peinture ou autre matériel pulvérisé vers le compresseur. Situer le compresseur aussi loin que possible de l'endroit de pulvérisation pour réduire l'accumulation de surpulvérisation sur le compresseur.
23. Suivre les instructions du fabricant pendant la pulvérisation ou le nettoyage avec des solvants ou produits chimiques toxiques.

Installation

⚠️ AVERTISSEMENT

Débrancher le câble de la batterie et dissiper toute la pression du système avant d'essayer d'installer, réparer, déplacer ou de procéder à l'entretien du modèle.



⚠️ ATTENTION

Ne pas soulever ni déplacer le modèle sans l'équipement de classification correcte. S'assurer que le modèle soit bien fixé à l'appareil de lavage. Ne pas soulever le modèle par manière des tuyaux ou refroidisseurs. Ne pas utiliser ce modèle pour soulever d'autre équipement qui est branché au modèle. Ne jamais utiliser les palettes d'expédition en bois pour le montage du compresseur.

Installation (suite)

Le compresseur devrait être installé sur un plancher ou une fondation égal et assez fort et rigide pour soutenir le compresseur sans vibration. L'utilisation des cales sous les pieds de montage du compresseur est recommandé pour éviter le "basculage" et la vibration excessive. Les tampons isolateurs, Modèle A4000150AJ, sont recommandés pour réduire la vibration. Si les tampons isolateurs sont utilisés, il est nécessaire d'installer un raccord flexible entre le réservoir et n'importe quel tuyau qui est fixé avec permanence au réservoir.

ATTENTION

Pendant l'installation permanente d'un compresseur pour l'usage stationnaire ou mobile, telle que sur un camion, évitez la tension sur le pied de fixation en le "tirant en bas" vers le plancher. Installer et utiliser le modèle au moins de 61 cm de n'importe quel obstruction et dans un endroit propre et bien ventilé. Ceci vas assurer un débit d'air sans obstruction pour refroidir le compresseur et pour permettre de l'espace libre pour l'entretien. Ne jamais utiliser le compresseur dans une petite chambre fermée. Diriger l'échappement du moteur à l'extérieur.

ATTENTION

Ne pas situer l'arrivée d'air près d'une vapeur, jet de peinture, endroits de décapage au sable ou n'importe quelle autre source de contamination.

Montage

RÉSERVOIR

(SOUPAPE D'ÉCHAPPEMENT VENDUE SÉPARÉMENT SUR TOUS LES MODÈLES) Monter la soupape d'échappement au raccord de tuyau. Installer la soupape dans n'importe quel bout du réservoir.

SOLÉNOÏD DE DÉMARRAGE (MODÈLE AVEC UN DÉMARREUR ÉLECTRIQUE SEULEMENT)

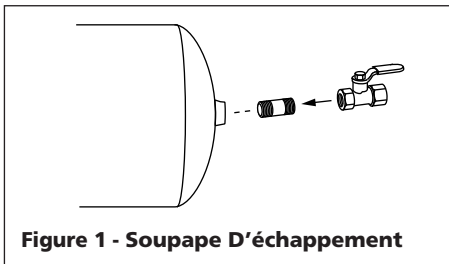


Figure 1 - Soupape D'échappement

1. Débrancher le câble négatif de la borne de batterie avant de brancher les fils au solénoïd.
2. Enlever l'écrou d'1/4 po du plot gauche. Ne pas contacter le plot droit afin d'éviter l'ignition du moteur.
3. Brancher le câble de batterie positif (rouge) au plot gauche et installer à nouveau l'écrou d'1/4 po. Serrer l'écrou à la main et encore un tour. (Voir Figure 2).

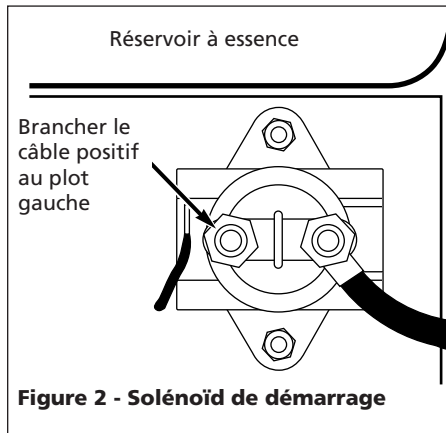


Figure 2 - Solénoïd de démarrage

4. Brancher le câble de batterie négatif (noir) à une mise à la terre convenable. L'endroit recommandé est le boulon de montage du moteur. D'autres endroits sûrs sur le moteur sont aussi convenables.
5. Brancher à nouveau le câble négatif à la batterie.

AVIS

Manque d'installer l'équipement convenable pour l'enlèvement de l'eau/l'huile peut résulter en dommage au modèle ou à l'objet de travail.

GRAISSAGE DU MOTEUR

Ce modèle est livré sans huile. **Il est nécessaire d'ajouter de l'huile avant son fonctionnement.** Se référer au manuel du moteur pour le graissage recommandé.

Fonctionnement

Toutes les pompes de compresseur graissées déchargent de l'eau condensée et de l'huile avec l'air comprimé. Il est nécessaire d'installer l'équipement et commandes convenables pour l'enlèvement d'eau/d'huile selon l'applicaton.

Tous les pièces mobiles doivent être protégées. Tous les couvercles électriques doivent être installés avant la mise en marche.

GRAISSAGE DE LA POMPE

ATTENTION

CE MODÈLE NE CONTIENT PAS D'HUILE. Avant d'utiliser le compresseur, remplir le carter de la pompe avec de l'huile pour compresseurs selon les instructions.

La pompe peut contenir de l'huile résiduelle qui peut laisser une couche mince sur le regard mais il n'y a pas assez d'huile pour faire fonctionner le modèle. Remplir la pompe avec l'huile, N° ST127000AV, disponible dans votre quartier, ou l'huile pour compresseur à viscosité simple, sans détergent, ISO100 (SAE 30). Pour la température de l'air ambiant entre 0°C et 13°C, utilisez l'huile ISO 68 (20W20). Ajouter l'huile seulement à travers le bouchon de remplissage (Voir la Figure 3). Remplir jusqu'au centre du regard. L'utilisation de n'importe quel autre orifice peut causer l'écoulement pendant le fonctionnement.

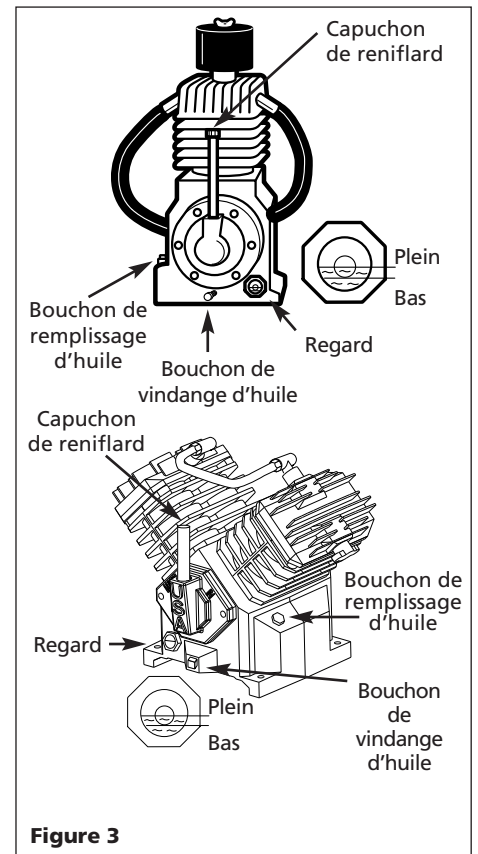


Figure 3

REMARQUE: L'utilisation de l'huile pour moteurs d'automobile produit de l'encrassement charbonneux sur les soupapes et peut raccourcir la durée des, et nécessiter plus de service aux soupapes. Ne pas utiliser du fluide hydraulique ATF, l'huile à deux-étapes ou n'importe quel

Fonctionnement

(Suite)

produit de traitement d'huile. Ne pas utiliser l'huile synthétique diester.

AVIS

Lire attentivement tous les manuels d'instructions, surtout le manuel du moteur avant le démarrage du compresseur.

⚠ DANGER

Un carter de courroie doit être installé avant de faire fonctionner le modèle.



1. Ne pas faire fonctionner le compresseur aux vitesses en excès de la classification de vitesse indiquée. Ceci peut endommager le compresseur et le moteur.
2. Toujours mettre le levier articulé dans la position de déchargement avant le démarrage. (Voir la Figure 4).

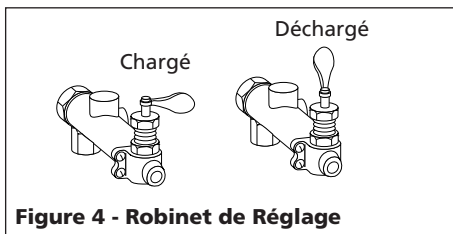


Figure 4 - Robinet de Réglage

⚠ ATTENTION

Ne pas débrancher la batterie de l'ignition du moteur pendant que le compresseur soit en marche. (Modèles avec démarrage électrique seulement).

3. Vérifier le niveau d'huile dans le compresseur et dans le carter du moteur et ajouter de l'huile si nécessaire.
4. Remplir le réservoir à essence avec de l'essence propre et frais de type automobile sans plomb régulier (ou d'essence ordinaire si l'essence sans plomb n'est pas disponible). **Ne pas mélanger l'huile avec l'essence.**
5. Pendant son premier usage, faire fonctionner le compresseur continuellement pour une heure afin de permettre l'ajustement des segments de piston.
 - a. Ouvrir le robinet de purge sur le réservoir et faire fonctionner le compresseur pendant 60 minutes.

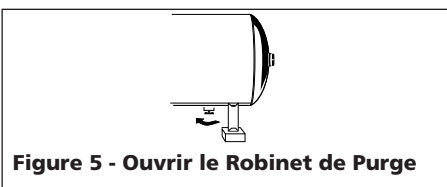


Figure 5 - Ouvrir le Robinet de Purge

(Voir la Figure 5).

- b. Mettre le compresseur hors circuit et fermer le robinet de purge. Le compresseur est maintenant prêt à utiliser.
6. Pour le démarrage aux températures froides; faire fonctionner le modèle sans charge pendant 10-20 minutes pour réchauffer le compresseur et le moteur.
 7. Un peu de vibration est commun pendant les premières 2-3 heures de fonctionnement. La vibration diminue une fois que la courroie et la poulie s'ajustent.

Si le compresseur est utilisé sous les conditions humides pour de courtes durées, l'humidité peut se condenser dans le carter et l'huile peut paraître crémeuse. L'huile qui est contaminée avec de l'eau condensée ne fournit pas de lubrification suffisante et doit être remplacée immédiatement. L'utilisation de l'huile contaminée peut endommager les roulements, pistons, cylindres et bagues et n'est pas couverte par la garantie. Pour éviter la condensation d'eau dans l'huile, faire fonctionner le compresseur périodiquement avec la pression du réservoir à 138 kPa, réglage de pression maximum, en ouvrant le robinet de purge ou une soupape d'air qui est branchée au réservoir ou à un tuyau. Faire fonctionner la pompe pendant une heure au moins une fois par semaine ou plus souvent si la condensation se manifeste.

AVIS

Changer l'huile après les premières 50 heures de fonctionnement.

FONCTIONNEMENT CONTINU

Le fonctionnement continu a été conçu pour les modèles avec moteurs à essence afin d'assurer la disponibilité de pression d'air et pour éliminer la nécessité de démarrage fréquent. Le moteur et la pompe fonctionnent continuellement pour garder le réservoir à sa pression de service maximale.

RALENTI/DÉCHARGE

Ce modèle est équipé avec une commande de ralenti/décharge. Pour vérifier le fonctionnement de l'appareil:

1. Fermer la soupape d'échappement (Voir la Figure 1).
2. Mettre le compresseur en marche et permettre que la pression atteigne la limite du robinet de réglage (Figure 4) qui est réglé à 1207 kPa pour un compresseur à deux étages et 862 kPa pour un compresseur à une étage. Le com-

presseur devrait se décharger à travers du coussinet de reniflard sur le robinet de réglage et le moteur devrait se ralentir.

3. Ouvrir la soupape d'échappement et permettre que la pression dans le réservoir tombe jusqu'à la limite du robinet de réglage qui est réglé à 1000 kPa (2 étages) ou 621 kPa (une étage). Le robinet de réglage devrait se fermer et permettre le chargement du réservoir plutôt que le décharge à travers du coussinet de reniflard.
4. Ne pas modifier les réglages de pression sur le robinet de réglage ou le régulateur du moteur. Si une pression plus basse est exigée, il est nécessaire d'utiliser un régulateur de pression séparé après la soupape d'échappement. Le compresseur a une limite de pression de service maximum de 1207 kPa (deux étages) et 862 kPa (une étage) et ne devrait pas être utilisé au delà de cette limite.

RENIFLARD DU CARTER

Pendant les conditions de fonctionnement sévères, ou pendant le démarrage initial, un peu d'huile peut s'accumuler à l'ouverture du reniflard de carter. Ceci est normal et diminuera une fois que la pompe soit rodée et que les bagues soient complètement ajustées.

Entretien

⚠ AVERTISSEMENT

Débrancher le câble de la batterie et ensuite dissiper toute la pression du système avant d'essayer d'installer, réparer, déplacer ou de procéder à l'entretien.

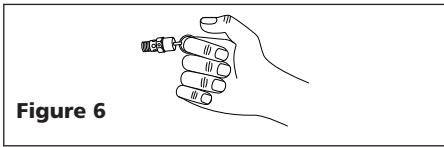


Vérifier le filtre d'air et le niveau d'huile avant chaque usage pour assurer l'efficacité du système. Inspecter la soupape de sûreté ASME quotidiennement. Tirer l'anneau sur la soupape de sûreté et la laisser revenir à sa position normale. (Voir la Figure 6). Cette soupape laisse échapper de l'air automatiquement si la pression du réservoir dépasse la pression maximale réglée d'avance. S'il y a une fuite d'air une fois que la soupape a été lâchée, ou si la soupape est grippée et ne peut pas être activée par la bague, la soupape de sûreté ASME doit être remplacée.

⚠ DANGER

Ne pas essayer de trifouiller avec la soupape de sûreté ASME.

Entretien (Suite)



RÉSERVOIR

⚠ DANGER

Ne pas essayer de réparer ou de modifier un réservoir! Le soudage, perçage ou autre modifications peuvent affaiblir le réservoir et peut résulter en dommage de rupture ou d'explosion. Toujours remplacer les réservoirs qui sont usés, fendus ou endommagés.



AVIS

Purger l'humidité du réservoir quotidiennement.

Le réservoir doit être inspecté au moins une fois par année. Vérifier pour des fentes près des soudures. S'il y a une fente, dissiper la pression du réservoir immédiatement et le remplacer.

GRAISSAGE DU COMPRESSEUR

Ajouter de l'huile pour la pompe si nécessaire. L'huile devrait être changée chaque trois mois ou 500 heures de fonctionnement. Se référer à la **Liste de Pièces de Rechange** pour la quantité d'huile.

IMPORTANT: Le moteur à essence requiert des vidanges d'huile plus fréquents. Se référer aux instructions d'entretien du moteur pour d'autres exigences d'entretien qui ne sont pas couvertes ici.

FILTRE D'AIR

Ne jamais faire fonctionner un compresseur d'air sans filtre d'air d'arrivée ou avec un filtre d'air d'arrivée obstrué. Nettoyer le filtre d'air avec un jet d'air comprimé. Ne pas laver ou graisser la cartouche. Si le filtre ne peut pas être nettoyé avec de l'air comprimé, le filtre doit être remplacé. L'utilisation d'un compresseur avec un filtre d'air sale peut résulter en consommation d'huile excessive et une augmentation de contamination dans l'air de débit.

REFROIDISSEUR (DEUX ÉTAGES SUELEMENT)

Le refroidisseur sert à réduire la température et la consommation de puissance.

⚠ AVERTISSEMENT

Les ailettes de refroidissement sont pointues. Toujours porter des gants et

prendre précaution pendant le nettoyage du refroidisseur ou si près de l'endroit du refroidisseur.

Inspecter le refroidisseur chaque semaine pour assurer que tous les raccords sont sûrs et bien serrés. Souffler toute saleté, poussière et autres accumulations des ailettes de refroidissement.

PIÈCES DÉTACHÉES

IMPORTANT: Lire les instructions d'entretien du moteur pour les recommandations d'entretien.

Mettre hors circuit et utiliser la pression d'air légère pour souffler la poussière et autres accumulations de la culasse, du moteur, des pales de ventilateur, des canalisations d'air, du refroidisseur et du réservoir mensuellement.

Inspecter le système en entier pour des fuites d'air autour des raccords, etc., en utilisant une solution savonneuse. Serrer les boulons et vis d'assemblage si nécessaire.

COURROIES

⚠ AVERTISSEMENT

Débrancher le câble de la batterie et purger le réservoir pour éviter le mouvement inattendu du modèle.

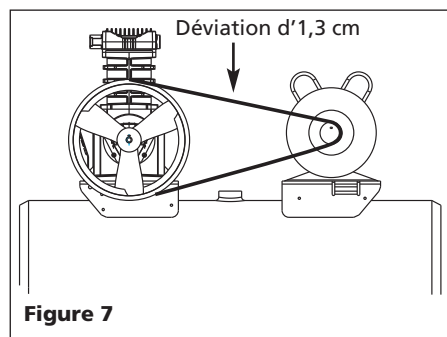


Figure 7

Vérifier la tension de courroie chaque 3 mois. Ajuster la tension de courroie afin de permettre une déflexion de 1 - 2 cm avec pression appliquée avec le pouce. Aligner les courroies en utilisant une limande contre la face du volant et touchant le bord sur les deux côtés de la face. Les courroies devraient être parallèles à la limande pour assurer l'alignement correct des courroies (Voir Figure 8).

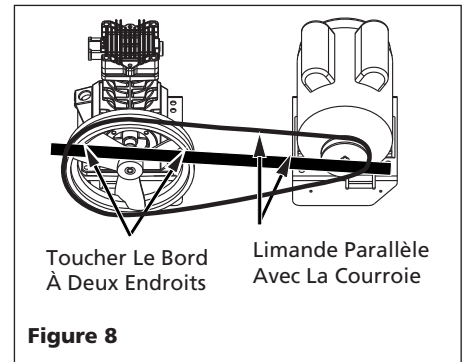


Figure 8

ENTREPOSAGE

Pour l'entreposage à court terme, assurer que le compresseur soit rangé dans une position normale et qu'il soit dans un endroit frais et protégé. Si le modèle requiert l'entreposage pendant plus que 30 jours, vidanger le moteur complètement de carburant et d'huile. Se référer aux instructions d'entreposage dans le manuel du moteur.

HORAIRE D'ENTRETIEN

Fonctionnement	Quotidien- nement	Semaine	Mensuel- lement	3 Mois
Vérifier la soupape de sûreté	●			
Purger le réservoir (Voir la Figure 5)	●			
Vérifier le niveau d'huile	●			
Vérifier le filtre d'air	●			
Vérifier le refroidisseur		●		
Nettoyer les pièces du modèle			●	
Vérifier le serrage de la courroie				●
Changer l'huile (Voir la Figure 3)				●

Guide De Dépannage

Symptôme	Cause(s) Possible(s)	Mesures Correctives
Bruit excessif pendant le fonctionnement	<ol style="list-style-type: none"> 1. Poulie, volant, courroie, carter de courroie, refroidisseur, brides de serrage ou accessoires délogés 2. Manque d'huile dans le carter 3. Piston qui frappe la plaque de soupape 4. Montage du compresseur au plancher délogé 5. Carter défectueux 6. Jeu en bout excessif du carter 	<ol style="list-style-type: none"> 1. Serrer 2. Vérifier pour le dommage aux roulements, remplir d'huile 3. Enlever la culasse du compresseur et inspecter pour de l'encrassement sur le haut du piston. Remplacer avec un nouveau joint d'étanchéité et remonter la culasse 4. Serrer 5. Réparer ou remplacer 6. Ajuster et caler correctement
Cognement – même cycle que tr/min de la pompe	<ol style="list-style-type: none"> 1. Roulements principaux 2. Roulements de bielle 3. Volant délogé 	<ol style="list-style-type: none"> 1. Remplacer les roulements 2. Remplacer la bielle 3. Serrer
Cognement pendant le chargement du compresseur	<ol style="list-style-type: none"> 1. Roulements de bielle 2. Tourillons, roulements de tourillons 3. Écrou de bielle délogé 	<ol style="list-style-type: none"> 1. Remplacer la bielle 2. Remplacer le montage complet du piston 3. Serrer
Huile crémeux dans le réservoir d'huile	Eau qui entre le réservoir à cause du fonctionnement dans un endroit d'humidité élevée	<ol style="list-style-type: none"> a. Canaliser l'arrivée d'air à une source moins humide b. Entretenir le modèle plus souvent (changer l'huile, nettoyer ou remplacer la cartouche du filtre à air, purger le réservoir)
Consommation d'huile excessive	<ol style="list-style-type: none"> 1. Arrivée d'air restreinte 2. Fuites d'huile 3. Segments de piston usés 4. Viscosité d'huile incorrecte 5. Compresseur trop incliné 6. Cylindre marqué 	<ol style="list-style-type: none"> 1. Nettoyer ou remplacer le filtre d'air 2. Serrer les boulons ou remplacer le joint d'étanchéité 3. Remplacer les segments de piston 4. Vidanger l'huile, remplir avec de l'huile de viscosité correcte. Voir la section de "Graissage de Pompe" 5. Égaliser le compresseur 6. Remplacer le cylindre et les bagues
L'huile dans l'air de débit	<ol style="list-style-type: none"> 1. Arrivée d'air du compresseur restreinte 2. Segments de piston usés 3. Huile excessive dans le compresseur 4. Viscosité d'huile incorrecte 	<ol style="list-style-type: none"> 1. Nettoyer la cartouche filtrante d'air et inspecter le système d'arrivée pour autres restrictions 2. Remplacer les segments de piston 3. Vidanger l'huile jusqu'au niveau correct 4. Vérifier la viscosité. Voir la section "Graissage de la Pompe"
Vibration du compresseur	<ol style="list-style-type: none"> 1. Boulons de fixation délogés 2. Montage incorrect du compresseur 3. Poulie et volant hors d'alignement 4. Courroies délogées ou qui ne correspondent pas 5. Vilebrequin courbé 	<ol style="list-style-type: none"> 1. Serrer 2. Égaliser le compresseur afin que tous les pieds touchent le plancher avant le serrage. Utiliser des cales si nécessaire 3. Aligner à nouveau 4. Serrer les courroies. Voir la section "Entretien" 5. Remplacer le vilebrequin
Air qui souffle hors de l'arrivée	Soupape d'admission en panne	Remplacer le montage de la plaque de soupape
Pression insuffisante au moment d'usage	<ol style="list-style-type: none"> 1. Fuites ou restrictions 2. Arrivée d'air restreinte 3. Patinage des courroies 4. Tuyau d'alimentation trop petit 5. Exigence d'air excessive 6. Panne de soupape 	<ol style="list-style-type: none"> 1. Inspecter pour des fuites ou restrictions dans les tuyaux. Réparer ou remplacer 2. Nettoyer ou remplacer la cartouche filtrante 3. Serrer les courroies, se référer à la section "Entretien" 4. Remplacer avec un tuyau plus large 5. Utiliser moins d'outils ou des outils plus petits afin de limiter l'utilisation d'air comprimé 6. Remplacer l'assemblage de soupape à anche
Le réservoir ne tient pas la pression pendant le déchargement du compresseur	Fuite d'air dans le système	Rechercher et réparer la fuite

⚠ DANGER

Ne jamais essayer de réparer ni de modifier un réservoir!

Guide De Dépannage (Suite)

Symptôme	Cause(s) Possible(s)	Mesures Correctives
Usure excessive de la courroie	<ol style="list-style-type: none"> 1. Poulie hors d'alignement 2. Courroies trop serrées 3. Courroies trop lâches 4. Branlement de la poulie ou du volant 5. Dommages à l'encoche de la poulie ou du volant 	<ol style="list-style-type: none"> 1. Aligner à nouveau la poulie du moteur avec le volant du compresseur 2. Ajuster la rigidité. Se référer à la section "Entretien" 3. Ajuster la rigidité. Se référer à la section "Entretien" 4. Vérifier pour un vilebrequin, une rainure de clavette ou un alésage de poulie usé résultant d'utilisation avec poulies lâches. Vérifier pour un vilebrequin courbé 5. Limer ou remplacer
Température d'air de décharge excessive	<ol style="list-style-type: none"> 1. Surfaces de refroidissement sales 2. Ventilation insuffisante 3. Joint d'étanchéité de culasse crevé 4. Arrivée d'air restreinte 5. Soupapes usées 	<ol style="list-style-type: none"> 1. Nettoyer les surfaces de refroidissement du cylindre, du refroidisseur et du tuyau d'échappement 2. Améliorer la ventilation ou déménager le compresseur 3. Remplacer le joint d'étanchéité de culasse 4. Nettoyer ou remplacer la cartouche filtrante 5. Remplacer l'assemblage de la plaque de soupape
La pression du réservoir s'augmente lentement	<ol style="list-style-type: none"> 1. Filtre d'air sale 2. Joint d'étanchéité de culasse crevé 3. Soupapes d'arrivées ou d'échappement usées ou crevées 4. Fuites d'air 5. Courroies lâches 6. Vitesse trop lente 	<ol style="list-style-type: none"> 1. Nettoyer ou remplacer la cartouche filtrante 2. Remplacer le joint d'étanchéité 3. Installer un nouvel assemblage de plaque de soupape 4. Serrer les joints 5. Serrer les courroies. Se référer à la section "Entretien" 6. Vérifier la vitesse. Se référer au tableau de "Rendement"
La pression du réservoir s'augmente rapidement sur le compresseur	<ol style="list-style-type: none"> 1. Eau dans le réservoir 2. Vitesse trop rapide 	<ol style="list-style-type: none"> 1. Purger le réservoir. (QUOTIDIENNEMENT) 2. Vérifier la vitesse. Se référer aux spécifications
La pression du compresseur continue à s'augmenter une fois que la pression de décharge soit atteinte	<ol style="list-style-type: none"> 1. Fuite sévère dans la soupape de déchargement 2. Restrictions dans les canalisations de déchargement 	<ol style="list-style-type: none"> 1. Vérifier tous les raccords et canalisations. Remplacer ceux qui ont des fuites 2. Enlever la cause de restriction
Moteur en panne	Le levier à bascule sur la soupape de déchargement est dans la position de chargement	Mettre le levier à bascule dans la position de déchargement
Le moteur à essence ne se démarre pas	Niveau d'huile du moteur bas. Quelques moteurs sont équipés avec un arrêt de niveau d'huile bas	Ajouter de l'huile jusqu'au niveau correct
La soupape de sûreté ASME s'ouvre pendant le fonctionnement du compresseur	<ol style="list-style-type: none"> 1. Réglage de la soupape de déchargement incorrect 2. Soupape de sûreté ASME défectueuse 	<ol style="list-style-type: none"> 1. Régler à une pression plus basse (1172 kPa maximum pour les modèles à deux étages ou 862 kPa pour les modèles à une étage). (Se référer à la section de Fonctionnement) 2. Remplacer la soupape

Garantie Limitée

1. DURÉE: À partir de la date d'achat par l'acheteur original comme suit : Produits À Service Standard (Standard Duty) - Un An; Produits À Service Sérieux (Serious Duty) - Deux Ans; Produits À Service Extrême (Extreme Duty) - Trois Ans; Série Modèle Maxus - Cinq Ans.
2. GARANTIE ACCORDÉE PAR (GARANT): Campbell Hausfeld/Scott Fetzer Company, 100 Production Drive, Harrison, Ohio, 45030, Téléphone: (800) 543-6400
3. BÉNÉFICIAIRE DE CETTE GARANTIE (ACHETEUR): L'acheteur original (sauf en cas de revente) du produit Campbell Hausfeld.
4. PRODUITS COUVERTS PAR CETTE GARANTIE: N'importe quel compresseur d'air Campbell Hausfeld.
5. COUVERTURE DE LA PRÉSENTE GARANTIE: Défauts de matière et de fabrication considérables avec les exceptions indiquées ci-dessous.
6. LA PRÉSENTE GARANTIE NE COUVRE PAS:
 - A. Les garanties implicites, y compris celles de commercialisabilité et D'ADAPTION À UNE FONCTION PARTICULIÈRE SONT LIMITÉES À PARTIR DE LA DATE D'ACHAT INITIALE TELLE QU'INDIQUÉE DANS LA SECTION DURÉE. Si ce compresseur d'air est utilisé pour une fonction commerciale ou pour la location, la durée de la garantie sera quatre-vingt-dix (90) jours à compter de la date d'achat. Les compresseurs d'entrepreneurs de service extrême et les compresseurs de marque Maxus ne sont pas limités à une garantie de quatre-vingt-dix (90) jours lorsqu'ils sont utilisés dans des applications d'entrepreneurs. Les produits à quatre cylindres d'un ou de deux étages ne sont pas limités à une garantie de quatre-vingt-dix (90) jours si utilisés dans les applications commerciales ou industrielles. Quelques Provinces (États) n'autorisent pas de limitations de durée pour les garanties implicites. Les limitations précédentes peuvent donc ne pas s'appliquer.
 - B. TOUT DOMMAGE, PERTE OU DÉPENSE FORTUIT OU INDIRECT POUVANT RÉSULTER DE TOUT DÉFAUT, PANNE OU MAUVAIS FONCTIONNEMENT DU PRODUIT CAMPBELL HAUSFELD. Quelques Provinces (États) n'autorisent pas l'exclusion ni la limitation des dommages fortuits ou indirects. La limitation ou l'exclusion précédente peut ne donc pas s'appliquer.
 - C. Toute panne résultant d'un accident, d'une utilisation abusive, de la négligence ou d'une utilisation ne respectant pas les instructions données dans le(s) manuel(s) accompagnant le produit.
 - D. Service avant livraison; le montage, l'huile ou la graisse et les réglages par exemples.
 - E. Articles ou services qui sont exigés pour l'entretien normal du produit; graisses, filtres et joints d'étanchéités par exemples.
 - F. Les moteurs à essence et les pièces détachées sont expressément exclus de cette garantie limitée. L'acheteur doit observer la garantie du fabricant de moteur qui est fournie avec le produit.
 - G. Articles supplémentaires qui ne sont pas couverts sous cette garantie:
 1. Tous les Compresseurs
 - a. Toutes pièces détachées endommagées pendant l'expédition, n'importe quelle panne causée par un montage ou fonctionnement du modèle sous des conditions qui ne conforment pas aux directives de montage et de fonctionnement ou dommage causée par le contact avec les outils ou les alentours.
 - b. La panne de la pompe ou de la soupape causée par la pluie, l'humidité excessive, un environnement corrosif ou autres polluants.
 - c. Les défauts de forme qui n'ont pas d'effet sur le fonctionnement du compresseur.
 - d. Les réservoirs rouillés, y compris mais pas limités à la rouille causé par le vidange incorrect ou par un environnement corrosif.
 - e. Les moteurs électriques, les clapets, et les manostats suivant la première année de possession.
 - f. Robinets de vidange.
 - g. Dommage dû à la tension ou installation de fils incorrecte.
 - h. Autres articles pas indiqués mais considérés pièces à fatigue générales.
 - i. Manostats, régulateurs d'air et soupapes de sûreté qui ont été modifiés d'après les réglages de l'usine.
 2. Compresseurs Graissés
 - a. Usure de la pompe ou dommage aux soupapes causé par l'utilisation d'huile non-spécifiée.
 - b. Usure de la pompe ou dommage aux soupapes causé par toute contamination d'huile ou par le manque de suivre les directives d'entretien d'huile.
 3. Commande par Courroie / Commande Directe / Compresseurs à Essence
 - a. Courroies
 - b. Usure de bagues causée par l'entretien de filtre insuffisant
 - c. Appareils manuels de chargement/déchargement et appareils de commande d'obturateur.
7. RESPONSABILITÉS DU GARANT AUX TERMES DE CETTE GARANTIE: Réparation ou remplacement, au choix du Garant, d'un compresseur ou d'une pièce détachée qui se sont révélés défectueux ou qui ne se sont pas conformés pendant la durée de validité de la garantie.
8. RESPONSABILITÉS DE L'ACHETEUR AUX TERMES DE CETTE GARANTIE:
 - A. Fournir une preuve d'achat datée et un état d'entretien.
 - B. La livraison ou expédition des compresseurs portatifs ou des pièces détachées au Centre De Service Autorisé Campbell Hausfeld. Taux de frais, si applicables, sont la responsabilité de l'acheteur.
 - C. Utilisation et entretien du produit avec un soin raisonnable, ainsi que le décrit le(s) manuel(s) d'utilisation.
9. RÉPARATION OU REMPLACEMENT EFFECTUÉ PAR LE GARANT AUX TERMES DE LA PRÉSENTE GARANTIE: La réparation ou le remplacement sera prévu et exécuté en fonction de la charge de travail dans le centre de service et dépendra de la disponibilité des pièces de rechange.

Cette Garantie Limitée s'applique aux É.-U., au Canada et au Mexique seulement et vous donne des droits juridiques précis. L'acheteur peut également jouir d'autres droits qui varient d'une Province, d'un État ou d'un Pays à l'autre.

Manual de Instrucciones

Sírvase leer y guardar estas instrucciones. Lea con cuidado antes de tratar de armar, instalar, manejar o darle servicio al producto descrito en este manual. Protéjase Ud. y a los demás observando todas las reglas de seguridad. El no seguir las instrucciones podría resultar en heridas y/o daños a su propiedad. Guarde este manual como referencia.

Compresores de aire a gasolina

Descripción

Estos compresores de aire están diseñados para suministrarle grandes cantidades de aire en sitios donde no haya electricidad. El cabezal suministrado con esta unidad tiene cojinetes lubricados con aceite que ocasionan que el aire comprimido suministrado tenga residuos de aceite. Para utilizarlo en aplicaciones donde necesite que el aire suministrado no tenga residuos de aceite o condensación de agua, deberá instalarle los filtros adecuados. Los compresores de aire estacionarios, con motor de gasolina, de Speedaire vienen montados sobre un tanque horizontal de 114 litros certificado por la organización ASME. Los compresores de aire portátiles para contratistas están montados sobre tanques gemelos de 15 litros para ofrecerle un perfil bajo y un centro de gravedad bajo. Todas las unidades incluyen tapas para las bandas y un dispositivo para controlar el funcionamiento al vacío que reduce al mínimo el consumo de combustible. Estos compresores están diseñados para operar máquinas para cambiar llantas, infladores, herramientas neumáticas y controles, clavadoras y rociadoras.

Medidas de seguridad

Este manual contiene información que es muy importante que sepa y comprenda. Esta información se la suministramos como medida de SEGURIDAD y para EVITAR PROBLEMAS CON EL EQUIPO. Debe reconocer los siguientes símbolos.

⚠ PELIGRO

Esto le indica que hay una situación inmediata que LE OCASIONARIA la muerte o heridas de gravedad.

⚠ ADVERTENCIA

Esto le indica que hay una situación que PODRIA ocasionarle la muerte o heridas de gravedad.

⚠ PRECAUCION

Esto le indica que hay una situación que PODRIA ocasionarle heridas no muy graves.

AVISO

Esto le indica una información importante, que de no seguirla, le podría ocasionar daños al equipo.

Para desempacar

Al desempacar este producto, revíselo con cuidado para cerciorarse de que esté en perfecto estado. Igualmente, cerciórese de apretar todos los pernos, tuercas y conexiones antes de usarlo.

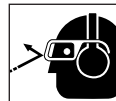
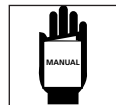
⚠ ADVERTENCIA

No debe utilizar la unidad si se ha dañado durante el envío, manejo o uso. Los daños podrían ocasionar una explosión y ocasionarle heridas o daños a su propiedad.

Informaciones Generales de Seguridad

Como el compresor de aire y otros componentes usados (cabezales, pistolas pulverizadoras, filtros, lubricadores, mangueras, etc.), forman parte de un sistema de bombeo de alta presión, deberá seguir las siguientes medidas de seguridad todo el tiempo:

1. Lea con cuidado todos los manuales incluidos con este producto. Familiarícese con los controles y el uso adecuado del equipo.
2. Siga todos los códigos de seguridad laboral establecidos en su país, por ejemplo, los de la OSHA en EUA.
3. Este compresor sólo debe ser usado por personas que estén bien familiarizadas con las reglas de seguridad de manejo.
4. Mantenga a los visitantes alejados y NUNCA permita la presencia de niños en el área de trabajo.
5. Siempre use anteojos de seguridad y protéjase los oídos para operar el cabezal o el compresor.



⚠ PELIGRO

Advertencia sobre el aire respirable

Este compresor/cabezal NO VIENE listo de fábrica para suministrarle aire respirable y NO SE DEBE usar con este fin. Antes de utilizarlos con este fin, deberá instalarle un sistema de seguridad y alarma incorporado a la línea. Este sistema adicional es necesario para filtrar y purificar el aire adecuadamente, para cumplir con las especificaciones mínimas sobre aire respirable de Grado D descritas en la Especificación de Productos G.7.1.1966 de la Asociación de Gases Comprimidos. Igualmente, deberá cumplir los requisitos establecidos por el Artículo 29 CFR 1910.134 de la Organización norteamericana OSHA y/o la Canadian Standards Associations (CSA).

RENUNCIA A LAS GARANTIAS SI EL COMPRESOR SE UTILIZA PARA PRODUCIR AIRE RESPIRABLE SIN HABERLE INSTALADO EL SISTEMA DE SEGURIDAD Y ALARMA, TODAS LA GARANTÍAS SE ANULARÁN Y LA COMPAÑIA EL FABRICANTE NO ASUMIRÁ NINGUNA RESPONSABILIDAD POR PÉRDIDAS, HERIDAS PERSONALES O DAÑOS.

6. No se encaramo sobre el cabezal ni lo use para sostenerse.
7. Antes de cada uso, inspeccione el sistema de aire comprimido, sistema de combustible y los componentes eléctricos para ver si están dañados, deteriorados, desgastados o tienen fugas. Repare o reemplace las piezas dañadas antes de usar el equipo.
8. Chequee todas las conexiones frecuentemente para cerciorarse de que estén bien apretadas.

⚠ ADVERTENCIA

El monóxido de carbono le puede ocasionar náuseas se-



RECORDATORIO: ¡Guarde su comprobante de compra con fecha para fines de la garantía!
Adjúntela a este manual o archívela en lugar seguro.

Informaciones Generales de Seguridad (Continuación)

veras, desmayos o la muerte. No utilice el compresor dentro de un edificio encerrado o con poca ventilación.

⚠️ ADVERTENCIA

Nunca utilice el compresor sin la tapa de las bandas. Los compresores se pueden encender automáticamente sin previo aviso. Las piezas en movimiento podrían ocasionarle heridas o daños a su propiedad.



- No se ponga ropa muy holgada o joyas, ya que éstas se le podrían enredar en las piezas en movimiento.

⚠️ PRECAUCION

Las piezas del compresor podrían estar calientes inclusive cuando la unidad esté apagada.



- Mantenga los dedos alejados del compresor cuando éste esté funcionando; las piezas en movimiento o calientes le ocasionarían heridas y/o quemaduras.
- Si el equipo comienza a vibrar excesivamente, APAGUE el motor y chequéelo inmediatamente para determinar la razón. Generalmente, la vibración excesiva se debe a una falla.

⚠️ ADVERTENCIA

NUNCA le ponga gasolina mientras el motor esté funcionando o caliente. El combustible podría ocasionar incendios y quemaduras de gravedad. Evite que el tanque se rebose de combustible



- Mídale el nivel de combustible antes de encender el motor. No le ponga gasolina en un área encerrada. Limpie los derrames de gasolina antes de encender el motor.

⚠️ PELIGRO

El vapor emitido por la gasolina es muy inflamable. Sólo debe ponerle gasolina al aire libre o en áreas bien ventiladas. No almacene, derrame o use gasolina cerca de llamas al descubierto o artefactos como cocinas, calefacciones o calentadores de agua, que tienen un piloto, o ninguna fuente de chispas. Si derrama gasolina accidentalmente, mueva la unidad fuera del área y evite la creación de fuentes de ignición hasta que los vapores se hayan disipado.

- Para reducir el peligro de incendio, mantenga el exterior del motor libre de aceite, solventes o exceso de grasa.

⚠️ ADVERTENCIA

Este compresor está equipado con una válvula de seguridad ASME para presiones de 13,79 bar, en los de 2 etapas, o de 10,34 bar, en los de 1 etapa. Si necesita reemplazar esta válvula de seguridad ASME, debe reemplazarla para los mismos valores de flujo y presión, para proteger los componentes bajo presión contra el peligro de explosión. Estos valores están especificados en la válvula. NUNCA DESCONECTE ESTA VALVULA DE SEGURIDAD PARA REEMPLAZARLA CON UN TAPON. La válvula de seguridad del sistema de interenfriamiento de los compresores de dos etapas no protege el sistema.

⚠️ PRECAUCION

La presión máxima de trabajo de los compresores de dos etapas es 12,06 bar y la de los de una etapa es 8,61 bar. No lo utilice con el presostato o las válvulas del piloto fijadas a presiones mayores de 12,06 bar (modelos de dos etapas) ó 8,61 bar (modelos de una etapa).

- Nunca trate de ajustar la válvula de seguridad. Evite que se le acumule pintura u otro residuos.
- No trate de modificar los controles del motor. Si aumenta excesivamente la velocidad del motor, podría reducir su duración y también podría ser muy peligroso.

⚠️ PELIGRO

¡Nunca trate de reparar o modificar el tanque! Si lo suelta, taladra o modifica de cualquier otra manera, el tanque se debilitará y se podría dañar al romperse o explotar. Siempre reemplace los tanques desgastados, rotos o dañados.



- Los tanques se oxidan debido a la acumulación de humedad y esto debilita el tanque. Cerciórese de drenar el tanque con regularidad e inspeccionarlo periódicamente para ver si está en malas condiciones, por ejemplo, si está oxidado.
- La circulación rápida de aire podría levantar polvo y desperdicios dañinos. Siempre libere el aire lentamente para drenar el tanque o liberar la presión del sistema.
- SIEMPRE apague el motor antes de alejarse del área de trabajo, limpiar el compresor, repararlo o inspeccionarlo. Antes de comenzar a limpiarlo, cer-

ciórese de que todas las piezas que se mueven hayan dejado de hacerlo. Desconecte el cable de la bujía y manténgalo alejado para evitar que el motor se encienda accidentalmente.

- Espera a que el motor se haya enfriado antes de almacenar la unidad.

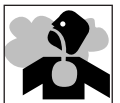
PRECAUCIONES PARA ROCIAR

⚠️ ADVERTENCIA

Nunca rocíe materiales inflamables cerca de llamas al descubierto o fuentes de ignición incluyendo el compresor.



- No fume mientras esté rociando pintura, insecticidas u otras sustancias inflamables.
- Use una máscara/respirador cuando vaya a rociar y siempre rocíe en un área bien ventilada, para evitar peligros de salud e incendios.
- Nunca rocíe la pintura y otros materiales directamente hacia el compresor. Coloque el compresor lo más lejos posible del área de trabajo para minimizar la acumulación de residuos en el compresor.
- Al rociar o limpiar con solventes o químicos tóxicos, siga las instrucciones del fabricante de dichos químicos.



Instalación

⚠️ ADVERTENCIA

Desconecte el cable de la batería en los modelos de encendido electrónico y después libere toda la presión del sistema antes de tratar de instalar el compresor, darle servicio, moverlo de sitio o darle cualquier tipo de mantenimiento.



⚠️ PRECAUCION

Nunca alce o mueva la unidad sin usar un equipo adecuado. Cerciórese de que la unidad esté bien sujeta antes de alzarla. No la tome por los tubos o piezas del sistema de enfriamiento para alzarla. No use la unidad para alzar otros equipos conectados al compresor. Nunca instale el compresor sobre las bases de madera usadas para enviarlo de la fábrica.

El compresor se debe instalar en un piso nivelado o una base que sea suficientemente fuerte y rígida para sostenerlo sin vibrar. Le recomendamos que le coloque una calza bajo las patas para nivelar el compresor, y evitar que "se mueva" o vibre excesivamente. Le recomendamos

Instalación (Continuación)

que use almohadillas aislantes, Modelo A4000150AJ. Si usa este tipo de almohadillas aislantes, debe instalar una conexión flexible entre el tanque y las tuberías que estén conectadas permanentemente al tanque.

⚠ PRECAUCION

Cuando vaya a instalar el compresor permanentemente para uso estacionario o móvil como en un camión, evite apretar excesivamente las patas al "apretar en exceso los pernos" que use para conectarlo al piso.

La unidad se debe instalar en un área limpia y bien ventilada y a una distancia de por lo menos 61 cm (24") de cualquier obstrucción. Ésto le garantiza el flujo libre de aire para enfriar el compresor y suficiente espacio para darle mantenimiento. Nunca opere el compresor en un área pequeña y encerrada. El humo expulsado por el motor debe dirigirse hacia afuera.

⚠ PRECAUCION

Nunca coloque la entrada de aire del compresor cerca de un área donde haya vapor, donde se rocíe pintura o arena, o haya otras fuentes de contaminación.

Ensamblaje

TANQUE

(LA VALVULA DE SALIDA PARA TODOS LOS MODELOS SE VENDE POR SEPARADO) Conecte la válvula de salida al niple de la tubería. Conecte la válvula ensamblada a cualquiera de los extremos del tanque.

SOLENOIDE DEL ARRANCADOR (UNIDAD CON SISTEMA DE ENCENDIDO ELECTRICO SOLAMENTE)

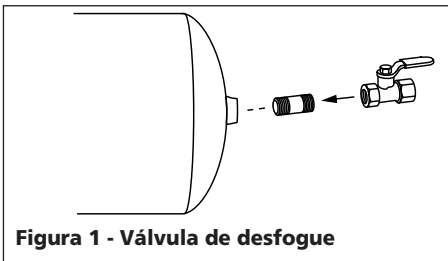


Figura 1 - Válvula de desfogue

1. Desconecte el cable negativo del terminal de la batería antes de conectar los cables al solenoide.
2. Qítete la tuerca de 6,4 mm (1/4") del terminal izquierdo. No haga contacto

con el terminal derecho para evitar la posibilidad de que el motor se encienda.

3. Conecte el cable positivo (rojo) de la batería al terminal izquierdo y colóquele la tuerca de 6,4 mm (1/4"). Después de apretarla con la mano, déle otra vuelta completa (Vea la Figura 2).

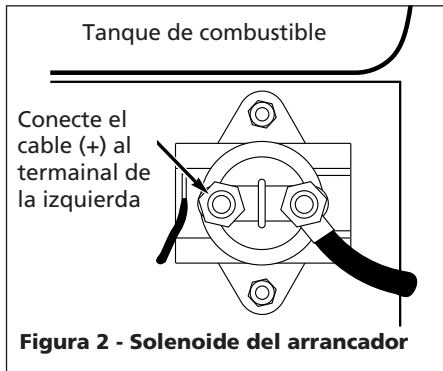


Figura 2 - Solenoide del arrancador

4. Conecte el cable negativo (negro) a tierra. El mejor sitio para conectarlo a tierra es el perno que sostiene el motor. Igualmente, lo puede conectar a otra parte adecuada del motor.
5. Conecte una vez más el cable negativo a la batería.

AVISO

Si no le instala los filtros adecuados para eliminar el agualaceite podría ocasionarle daños a la maquinaria o pieza de trabajo.

LUBRICACION DEL MOTOR

Esta unidad se envía de la fábrica sin aceite. **Antes de utilizarlo le debe poner aceite.** Vea las instrucciones para lubricar el motor en el manual de instrucciones del motor.

Funcionamiento

Todos los cabezales que requieren lubricación expulsan agua condensada y aceite con el aire comprimido. Por lo tanto, en ciertos casos, deberá instalarle filtros adecuados para eliminar agua/aceite.

LUBRICACION DEL CABEZAL

Todas las piezas en movimiento deben estar protegidas. Igualmente, debe colocarle las tapas a los sistemas eléctricos antes de encender la unidad.

⚠ PRECAUCION

ESTA UNIDAD NO TIENE ACEITE. Antes de utilizar el compresor, debe llenar la caja del cigüeñal del cabezal con aceite para compresores, tal como se le indica en las instrucciones.

Quizás queden residuos de aceite en el cabezal lo cual dejaría rastros en la ventanilla de vidrio, sin embargo; no hay suficiente aceite para operar la unidad. Llene el cabezal con aceite (No. de referencia ST127000AV), disponible en su distribuidor local, o con cualquier aceite para compresores de viscosidad sencilla, ISO100 (SAE 30), sin-detergente. Para temperaturas ambientales entre 0°C y 12,78°C, use aceite ISO 68 (SAE 20W20). Vierta el aceite por el orificio de lubricación (Vea la Figura 3). Llénelo hasta el centro del medidor visual. Si vierte el aceite en otro orificio ocasionaría derrame y salpiqueo de aceite al funcionar.

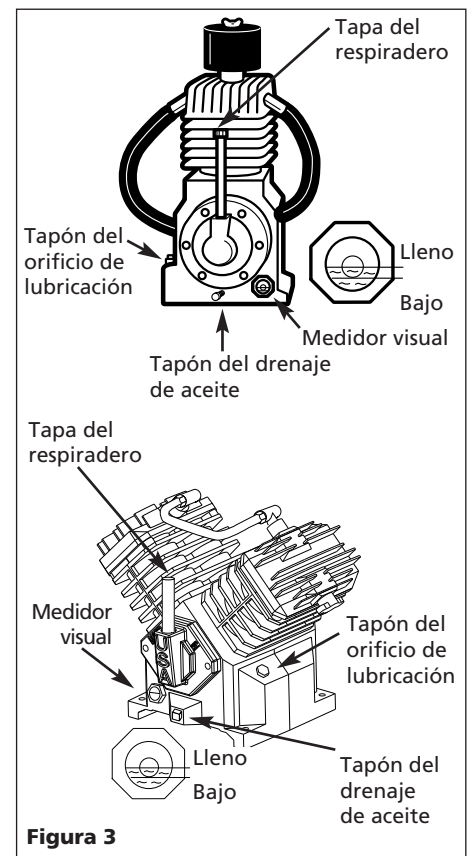


Figura 3

NOTA: Si usa aceite para motores de automóviles ocasionaría acumulación de depósitos de carbón en las válvulas. Ésto ocasionaría una reducción en la duración de las mismas y requeriría darle servicio con más frecuencia. No use fluido hidráulico, aceite de dos ciclos o ningún tratamiento de aceites. No use aceite sintético.

AVISO

Antes de encender el compresor, lea con cuidado todos los manuales de instrucciones, especialmente el del motor.

Funcionamiento (Continuación)

⚠ PELIGRO

Debe colocarle la tapa a las bandas antes de utilizar la unidad.



1. No exceda la velocidad máxima recomendada del compresor. Ésto podría dañar el compresor y el motor.
2. Antes de encender el compresor, siempre coloque la perilla de la válvula de control en la posición de descarga (Vea la Figura 4).

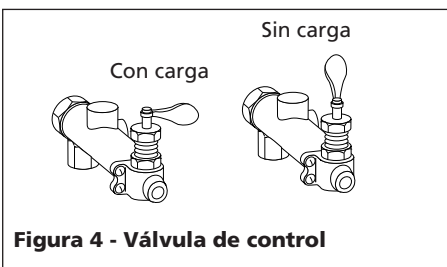


Figura 4 - Válvula de control

⚠ PRECAUCION

No desconecte la batería del encendedor del motor mientras el compresor esté funcionando (Sólo en los modelos de encendido electrónico).

3. Mídale el aceite a la caja del cigüeñal del compresor y del cabezal y añádale aceite si es necesario.
4. Póngale gasolina regular sin plomo, limpia y fresca (o gasolina regular con plomo si la gasolina sin plomo no está disponible) para automóviles. **No mezcle gasolina con aceite.**
5. La primera vez que vaya a utilizar el compresor, debe dejarlo funcionar continuamente durante una hora, para permitir que los anillos de los pistones se fijen.
 - a. Abra la llave de drenaje del tanque y deje que el compresor funcione durante 60 minutos sin carga (Vea la Figura 5).

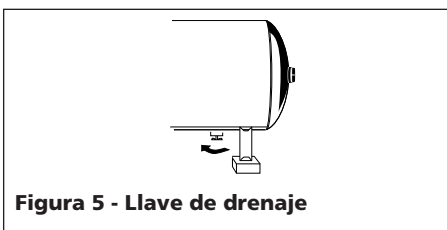


Figura 5 - Llave de drenaje

- b. Apague el compresor y cierre la llave de drenaje. El compresor está listo para funcionar.
6. Si la temperatura está muy fría, deje que el compresor funcione sin carga

durante 10-20 minutos para que el compresor y el motor se calienten.

7. Es normal que el compresor vibre un poco durante las primeras 2-3 horas de funcionamiento. Esta vibración disminuirá una vez que las bandas y poleas se hayan fijado.

Si el compresor se utiliza bajo condiciones húmedas por períodos cortos, la humedad se condensará en la caja del cigüeñal y ocasionará que el aceite luzca cremoso. El aceite contaminado por el agua no le proveerá la lubricación adecuada y lo debe cambiar inmediatamente. Si usa aceite contaminado, los cojinetes, pistones, cilindros y anillos se dañarán y estos daños no están cubiertos por la garantía. Para evitar la condensación de agua en el aceite, periódicamente utilice el compresor con la presión del tanque a 1,38 bar, bajo las condiciones de presión máxima. Para hacerlo, abra la llave de drenaje o la válvula de aire conectada al tanque, o la manguera. Deje que el cabezal funcione por una hora en estas condiciones por lo menos una vez a la semana, o con más frecuencia, en caso de que el problema ocurra.

AVISO

Cámbiele el aceite después de 50 horas de operación.

FUNCIONAMIENTO CONTINUO

La razón por la cual los compresores con motores de gasolina están diseñados para funcionar continuamente es para garantizarle la presión de aire requerida constantemente y eliminar la necesidad de estar encendiendo el compresor constantemente. El motor y el cabezal están funcionando constantemente para mantener el tanque a la presión máxima de trabajo.

FUNCIONAMIENTO AL VACIO/DESFOGUE

Esta unidad tiene un control de funcionamiento al vacío/desfogue. Para chequear la operación:

1. Cierre la válvula de desfogue (Vea la Figura 1).
2. Encienda el compresor y permita que la presión del compresor alcance el límite adecuado de la válvula de control (Vea la Figura 4) que está fijado a 12,07 bar, en los compresores de dos etapas, y a 8,62 bar, en los de una etapa. Al alcanzar esta presión, el compresor debe comenzar a descargar a través del buje del respiradero de la válvula de control y el motor debe comenzar a funcionar al vacío.
3. Abra la válvula de desfogue para que la presión del tanque baje hasta alcanzar el

nivel inferior de la válvula de control, fijado a 10 bar (en los modelos de 2 etapas) ó a 6,21 bar (en los modelos de 1 etapa). Al alcanzar esto niveles de presión la válvula de control se debe cerrar para que el compresor comience a acumular presión en el tanque, en vez de expulsarla a través del buje del respiradero.

4. No modifique los niveles de presión fijados o los de los controles del motor. Si necesita usar niveles más bajos, éstos se deben fijar con otro regulador de presión instalado después de la válvula de desfogue. El compresor tiene una presión máxima de trabajo de 12,07 bar (2 etapas) y 8,62 bar (1 etapa) y no se debe operar a presiones que excedan estos límites.

RESPIRADERO DE LA CAJA DEL GIGÜEÑAL

Durante condiciones severas de funcionamiento o al encenderlo por primera vez, podría crearse una acumulación de aceite en el orificio del respiradero de la caja del cigüeñal. Ésto es normal y disminuirá con el uso ya que los anillos se fijarán.

Mantenimiento

⚠ ADVERTENCIA

Desconecte el cable de la batería y después libere toda la presión del sistema antes de tratar de instalar el compresor, darle servicio, moverlo de sitio o darle cualquier tipo de mantenimiento.



Para mantener el funcionamiento eficiente del sistema del compresor, chequee el filtro de aire y mida el nivel del aceite antes de cada uso. La válvula de seguridad ASME también se debe chequear a diario. Hále el anillo de la válvula de seguridad y déjelo que regrese de nuevo en su posición original (Vea la Figura 6). Esta válvula automáticamente libera el aire del tanque si la presión excede el nivel máximo fijado de fábrica. Si hay una fuga de aire después que ha soltado el anillo, o si la válvula está atascada y no la puede activar con el anillo, deberá reemplazar la válvula de seguridad ASME.

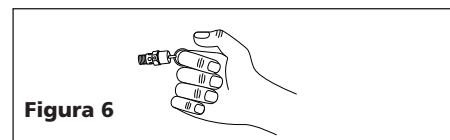


Figura 6

⚠ PELIGRO

Nunca trate de modificar las válvulas de seguridad ASME.

Mantenimiento (Continuación)

TANQUE

⚠ PELIGRO

¡Nunca trate de reparar o modificar el tanque! Si lo suelda, taladra o modifica de cualquier otra manera, el tanque se debilitará y se podría dañar al romperse o explotar. Siempre remplace los tanques desgastados, rotos o dañados.



AVISO

Drene el líquido del tanque diariamente.

El tanque se debe inspeccionar cuidadosamente por lo menos una vez al año. Cerciórese de que no haya ranuras en las soldaduras. De haberlas, libere la presión del tanque inmediatamente y reemplácelo.

LUBRICACION DEL COMPRESOR

Añádale aceite al cabezal cuando sea necesario. Le debe cambiar el aceite cada 3 meses o después de 500 horas de funcionamiento; lo que ocurra primero. En la **Lista de repuestos** se le indica la cantidad de aceite necesaria.

IMPORTANTE: El motor de gasolina requiere cambios de aceite más frecuentes. Lea la sección de mantenimiento del motor donde se le dan instrucciones adicionales para el mantenimiento periódico.

FILTRO DE AIRE

Nunca utilice el cabezal del compresor sin instalarle el filtro de la entrada de aire o cuando éste esté obstruido. Use aire comprimido para limpiar el filtro. No lave ni lubrique el elemento del filtro. Si no puede limpiarlo con aire comprimido, deberá reemplazarlo. Si utiliza el compresor con el filtro sucio, podría aumentar el consumo de aceite y la contaminación con aceite del aire expulsado.

SISTEMA DE ENFRIAMIENTO INTERNO (SOLO EN LOS MODELOS DE 2 ETAPAS)

Este sistema de enfriamiento reduce la temperatura y el consumo de energía.

⚠ ADVERTENCIA

Las aletas del sistema de enfriamiento interno son afiladas, use siempre guantes y tenga mucho cuidado cuando vaya a limpiar o trabajar cerca de ellas.

Semanalmente, chequee el sistema de enfriamiento interno para cerciorarse de que todas las conexiones estén seguras y bien apretadas. Limpie las aletas con aire.

COMPONENTES

IMPORTANTE: Lea las instrucciones para el mantenimiento del motor donde se le dan las recomendaciones del servicio necesario.

Mensualmente, apague la unidad y limpie la culata del cilindro, motor, aletas del ventilador, líneas de aire, sistema de enfriamiento interno y tanque con aire a baja presión.

Aplíquelo agua enjabonada para chequear el sistema completo para ver si hay fugas en las conexiones. Apriete las tuercas y pernos cuando sea necesario.

BANDAS

⚠ ADVERTENCIA

Desconecte el cable de la batería y después drene el tanque para evitar que la unidad se mueva sin previo aviso.

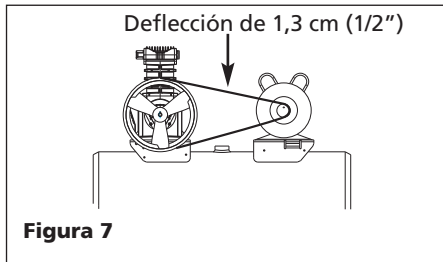
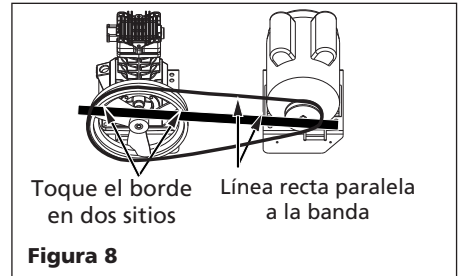


Figura 7

Chequee la tensión de las bandas cada 3 meses. Ajuste la tensión para permitir una deflexión de 1 - 2 cm al ejercer presión con el dedo. Igualmente, debe alinear las bandas usando como referencia un objeto recto entre el volante que toque el borde en ambos lados. Las bandas deben estar paralelas a esta línea recta de referencia para garantizar que estén bien alineadas (Vea la Figure 8).



Toque el borde en dos sitios
Línea recta paralela a la banda

Figura 8

ALMACENAMIENTO

Si va a almacenar el compresor por un período corto, cerciórese de que esté en su posición normal y en un área fría y bien protegida. Si va a almacenar la unidad por más de 30 días, drene completamente el combustible y el aceite del motor. Vea las instrucciones de almacenamiento en el manual del motor.

MANTENIMIENTO

Servicio necesario	Diariamente	Semanalmente	Mensualmente	Trimestralmente
Chequee la válvula de seguridad	●			
Drene el tanque (Vea la Figura 5)	●			
Mida el nivel de aceite	●			
Chequee el filtro de aire	●			
Chequee el sistema de enfriamiento interno		●		
Limpie los componentes			●	
Chequee la tensión de las bandas				●
Cambie el aceite (Vea la Figura 3)				●

Guía de diagnóstico de averías

Problema	Posible(s) Causa(s)	Acción a tomar
Ruido excesivo al funcionar	<ol style="list-style-type: none"> 1. La polea, volante, banda, tapa de la banda, sistema de enfriamiento, abrazaderas o accesorios están flojos 2. Le falta aceite a la caja del cigüeñal 3. El pistón está golpeando la placa de la válvula 4. La base del compresor está floja 5. La caja del cigüeñal está dañada 6. Holgura excesiva en la caja del cigüeñal 	<ol style="list-style-type: none"> 1. Apriételos 2. Chequee los cojinetes a ver si están dañados, añádale aceite 3. Saque la culata del cilindro del compresor y revísela a ver si el pistón está sucio. Instálele un empaque nuevo y ensámblela una vez más 4. Apriétela 5. Repárela o reemplácela 6. Ajústela y acúñela adecuadamente
Golpe (ruido fuerte) – el volante golpea cada vez que gira	<ol style="list-style-type: none"> 1. Los cojinetes principales 2. Los cojinetes de la biela 3. El volante está flojo 	<ol style="list-style-type: none"> 1. Reemplace los cojinetes 2. Reemplace la biela 3. Apriételo
Hace un ruido fuerte cuando el compresor se está cargando	<ol style="list-style-type: none"> 1. Los cojinetes de la biela 2. Los pasadores de articulación, los cojinetes de los pasadores de articulación 3. La tuerca de la biela está floja 	<ol style="list-style-type: none"> 1. Reemplace la biela 2. Reemplace todo el ensamblaje del pistón 3. Apriétela
El aceite está contaminado (luce cremoso)	Hay acumulación de agua en el receptáculo de aceite debido a la alta humedad ambiental en el área donde está usando el compresor	<ol style="list-style-type: none"> a. Conecte la entrada de aire a una fuente que le suministre aire menos húmedo b. Déle servicio a la unidad (cámbiele el aceite, limpie o reemplace el elemento del filtro de aire, drene el tanque) con más frecuencia
Consumo excesivo de aceite	<ol style="list-style-type: none"> 1. La entrada de aire está restringida 2. Hay una fuga de aceite 3. Los anillos del pistón están desgastados 4. La viscosidad del aceite no es la adecuada 5. El compresor está muy desnivelado 6. El cilindro está rayado 	<ol style="list-style-type: none"> 1. Limpie o reemplace el filtro de aire 2. Apriete los pernos o reemplace el empaque 3. Reemplace los anillos 4. Drene el aceite, póngale aceite de viscosidad adecuada. Vea la sección "Lubricación del cabezal" 5. Nivele el compresor 6. Reemplace el cilindro y los anillos
El aire expulsado tiene aceite	<ol style="list-style-type: none"> 1. La entrada de aire del compresor está restringida 2. Los anillos del pistón están desgastados 3. El compresor tiene demasiado aceite 4. La viscosidad del aceite no es la adecuada 	<ol style="list-style-type: none"> 1. Limpie el elemento del filtro de aire y chequee a ver si hay otras restricciones en el sistema de entrada 2. Reemplace los anillos 3. Drénelo hasta alcanzar el nivel adecuado 4. Chequee la viscosidad. Vea la sección "Lubricación del cabezal"
El compresor vibra	<ol style="list-style-type: none"> 1. Los pernos de la base están flojos 2. El compresor no está instalado adecuadamente 3. La polea y el volante están desalineados 4. Las bandas están flojas o no son las adecuadas 5. El cigüeñal está doblado 	<ol style="list-style-type: none"> 1. Apriételos 2. Antes de apretarlo, nivele el compresor de modo que las patas hagan contacto con el piso. Use calzas si es necesario 3. Realínele la polea y el volante 4. Apriete las bandas. Vea la sección "Mantenimiento" 5. Reemplace el cigüeñal
El compresor está expulsando aire por el orificio de entrada	La válvula de entrada está rota	Reemplace el ensamblaje de la placa de la válvula
El motor falla	La palanca del piloto de la válvula de desfogue está en la posición de carga	Coloque la palanca en la posición de desfogue
El motor a gasolina no enciende	Le falta aceite al motor. Algunos motores tienen un sistema para apagarlo automáticamente cuando le falte aceite	Añádale aceite hasta alcanzar el nivel adecuado

Guía de diagnóstico de averías (Continuación)

Problema	Posible(s) Causa(s)	Acción a tomar
La presión es insuficiente para usar el compresor	<ol style="list-style-type: none"> Hay fugas o restricciones La entrada de aire está restringida Las bandas se deslizan La manguera o tubería de servicio es demasiado pequeña Requerimiento excesivo de aire La válvula está rota 	<ol style="list-style-type: none"> Chequee la manguera o tubería a ver si hay fugas o restricciones. Repárelas o reemplácelas Limpie o reemplace el elemento del filtro de aire Apriete las bandas. Vea la sección "Mantenimiento" Reemplácela con una manguera o tubería más grande Limite el uso de aire a la capacidad del compresor; use menos herramientas o herramientas más pequeñas (menos potentes) Reemplace el ensamblaje de la válvula de lengüeta
El tanque no mantiene la presión cuando el compresor está descargado	Fuga de aire en el sistema	Ubique y repare las fugas
<div style="display: flex; justify-content: center; align-items: center; gap: 10px;"> <div style="background-color: black; color: white; padding: 5px 10px; font-weight: bold; font-size: 1.2em;">PELIGRO</div> <div style="font-weight: bold; font-size: 1.1em;">¡Nunca trate de reparar o modificar un tanque!</div> </div>		
Desgaste excesivo de las bandas	<ol style="list-style-type: none"> La polea está desalineada Las bandas están demasiado apretadas Las bandas están demasiado flojas La polea o el volante oscilan La ranura para sostener la banda en la polea o el volante está dañada 	<ol style="list-style-type: none"> Realinee la polea del motor con el volante del compresor Ajuste la tensión. Vea la sección "Mantenimiento" Ajuste la tensión. Vea la sección "Mantenimiento" Chequee el cigüeñal, chavetero o diámetro interno de la polea a ver si se han desgastado debido al funcionamiento con las poleas flojas. Chequee el cigüeñal a ver si está doblado Límelos para emparejarlos o reemplácelos
La temperatura del aire expulsado es muy alta	<ol style="list-style-type: none"> La superficie del sistema de enfriamiento está sucia La ventilación es inadecuada El empaque de la culata está dañado La entrada de aire está restringida Las válvulas están desgastadas 	<ol style="list-style-type: none"> Limpie las superficies de enfriamiento del cilindro, sistema de enfriamiento interno y tubo de desfogue Mejore el sistema de ventilación o reubique el compresor Reemplace el empaque de la culata Limpie o reemplace el elemento del filtro de aire Reemplace el ensamblaje de la placa de la válvula
La presión del tanque se logra lentamente	<ol style="list-style-type: none"> El filtro de aire está sucio El empaque de la culata del cilindro está dañado Las válvulas de entrada o desfogue, están desgastadas o rotas Hay fugas de aire Las bandas están flojas La velocidad es muy baja 	<ol style="list-style-type: none"> Limpie o reemplace el elemento de filtro Colóquele un empaque nuevo Instale un nuevo ensamblaje de placa de la válvula Apriete las conexiones Apriete las bandas. Vea la sección "Mantenimiento" Chequee la velocidad. Vea la tabla de "Rendimiento"
La presión del tanque se acumula muy rápido en el compresor	<ol style="list-style-type: none"> Hay agua en el tanque La velocidad es muy rápida 	<ol style="list-style-type: none"> Drene el tanque. (Ésto lo debe hacer DIARIAMENTE) Chequee la velocidad. Vea las especificaciones
La presión del compresor continua aumentando después de haber alcanzado el nivel de descarga fijado en la fábrica	<ol style="list-style-type: none"> Hay una fuga severa de aire en el piloto de la válvula de desfogue Hay una restricción en las líneas del descargador 	<ol style="list-style-type: none"> Chequee todas las conexiones y líneas y reemplace las que tengan fugas Elimine las causas de la restricción
La válvula de seguridad ASME se abre cuando el compresor está funcionando	<ol style="list-style-type: none"> La válvula está fijada a un nivel incorrecto La válvula de seguridad ASME está dañada 	<ol style="list-style-type: none"> Ajuste la válvula a una presión inferior (la presión máxima es 12,07 bar para los compresores de dos etapas ó 8,62 bar para los de una etapa. (Vea la sección de Funcionamiento). Reemplace la válvula

Garantía Limitada

1. DURACION: A partir de la fecha de compra por el comprador original tal como se especifica a continuación: Productos Estándar (Standard Duty) - Un año; Productos Resistentes (Serious Duty) - Dos años; Productos Robustos (Extreme Duty) - Tres años; Serie Modelo Maxus - Cinco años.
 2. QUIEN OTORGA ESTA GARANTIA (EL GARANTE: Campbell Hausfeld / The Scott Fetzer Company 100 Production Drive, Harrison, Ohio 45030 Teléfono: (800) 543-6400
 3. QUIEN RECIBE ESTA GARANTIA (EL COMPRADOR): El comprador original (que no sea un revendedor) del producto Campbell Hausfeld.
 4. PRODUCTOS CUBIERTOS POR ESTA GARANTIA: Cualquier compresor de aire Campbell Hausfeld.
 5. COBERTURA DE LA GARANTIA: Los defectos substanciales de material y fabricación que ocurran dentro del período de validez de la garantía.
 6. LO QUE NO ESTA CUBIERTO POR ESTA GARANTIA:
 - A. Las garantías implícitas, incluyendo aquellas de comercialidad E IDONEIDAD PARA FINES PARTICULARES, ESTAN LIMITADOS A LO ESPECIFICADO EN EL PARRAFO DE DURACION. Si el compresor de aire es empleado para uso comercial, industrial o para renta, la garantía será aplicable por noventa (90) días a partir de la fecha de compra. La garantía de los compresores para trabajo pesado Productos Robustos para contratistas y de la marca Maxus no se limita a los noventa (90) días cuando se usen en aplicaciones de contratista. La garantía de los compresores de cuatro cilindros de una y dos etapas, no está limitada a noventa (90) días si éstos se utilizan para trabajos comerciales o industriales. En algunos estados no se permiten limitaciones a la duración de las garantías implícitas, por lo tanto, en tales casos esta limitación no es aplicable.
 - B. CUALQUIER PERDIDA DAÑO INCIDENTAL, INDIRECTO O CONSECUENTE QUE PUEDA RESULTAR DE UN DEFECTO, FALLA O MALFUNCIONAMIENTO DEL PRODUCTO CAMPBELL HAUSFELD. En algunos estados no se permite la exclusión o limitación de daños incidentales o consecuentes, por lo tanto, en tales casos esta limitación o exclusión no es aplicable
 - C. Cualquier falla que resulte de un accidente, abuso, negligencia o incumplimiento de las instrucciones de funcionamiento y uso indicadas en el (los) manual(es) que se adjunta(n) al compresor.
 - D. Los servicios requeridos antes de la entrega tales como: ensamblaje, aceite o lubricantes y ajustes.
 - E. Artículos o servicios normalmente requeridos para el mantenimiento del producto, tales como: lubricantes, filtros, empaques, etc.
 - F. Los motores de gasolina están específicamente excluidos de la cobertura de esta garantía limitada. El comprador debe seguir las cláusulas de la garantía otorgada por el fabricante del motor de gasolina que se suministra con el producto.
 - G. Artículos adicionales no cubiertos bajo esta garantía:
 1. Todos los Compresores
 - a. Cualquier componente dañado durante el envío o cualquier daño ocasionado por haber instalado u operado la unidad bajo condiciones contrarias a lo indicado en las instrucciones para instalar u operar la unidad o daños ocasionados por el contacto con herramientas o los alrededores.
 - b. Daños del cabezal o las válvulas ocasionados por la lluvia, humedad excesiva, agentes corrosivos u otros contaminantes.
 - c. Daños de apariencia que no afecten el funcionamiento del compresor.
 - d. Tanques oxidados, incluyendo pero no limitado al óxido debido al drenaje inadecuado u agentes corrosivos en el ambiente.
 - e. Motores eléctricos, válvulas de chequeo y presostatos después del primer año a partir de la fecha de compra.
 - f. Llaves de drenaje
 - g. Daños debidos al alambrado incorrecto o conexión a circuitos con voltaje inadecuados para la unidad.
 - h. Otros artículos no enumerados pero considerados de desgaste general.
 - i. Presostatos, controles de flujo de aire y válvulas de seguridad cuyos parametros fijados de fábrica se modifiquen.
 2. Compresores lubricados
 - a. Daños del cabezal o las válvulas debidos al uso de aceites no especificados.
 - b. Daños del cabezal o las válvulas debidos a cualquier contaminación del aceite o por no haber seguido las instrucciones de lubricación.
 3. Compresores con bandas/ de accionamiento directo/ motores de gasolina
 - a. Bandas
 - b. Daños de los anillos debido al mantenimiento inadecuado del filtro.
 - c. Ajustes manuales de los instrumentos de carga/descarga y válvula de estrangulación.
 7. RESPONSABILIDADES DEL GARANTE BAJO ESTA GARANTIA: Reparar o reemplazar, como lo decida el Garante, el compresor o componentes que estén defectuosos, se hayan dañado o hayan dejado de funcionar adecuadamente, durante el período de validez de la garantía
 8. RESPONSABILIDADES DEL COMPRADOR BAJO ESTA GARANTIA:
 - A. Suministrar prueba fechada de compra y la historia de mantenimiento del producto.
 - B. Entregar o enviar los compresores de aire portátiles o componentes al Centro de Servicio autorizado Campbell Hausfeld más cercano. Los gastos de flete, de haberlos, deben ser pagados por el comprador.
 - C. Tener cuidado al utilizar el producto, tal como se indica(n) en el (los) manual(es) del propietario.
 9. CUANDO EFECTUARA EL GARANTE LA REPARACION O REEMPLAZO CUBIERTO BAJO ESTA GARANTIA: La reparación o reemplazo dependerá del flujo normal de trabajo del centro de servicio y de la disponibilidad de repuestos.
- Esta garantía limitada es válida sólo en los EE.UU., Canadá y México y otorga derechos legales específicos. Usted también puede tener otros derechos que varían de un Estado a otro. o de un país a otro.
-