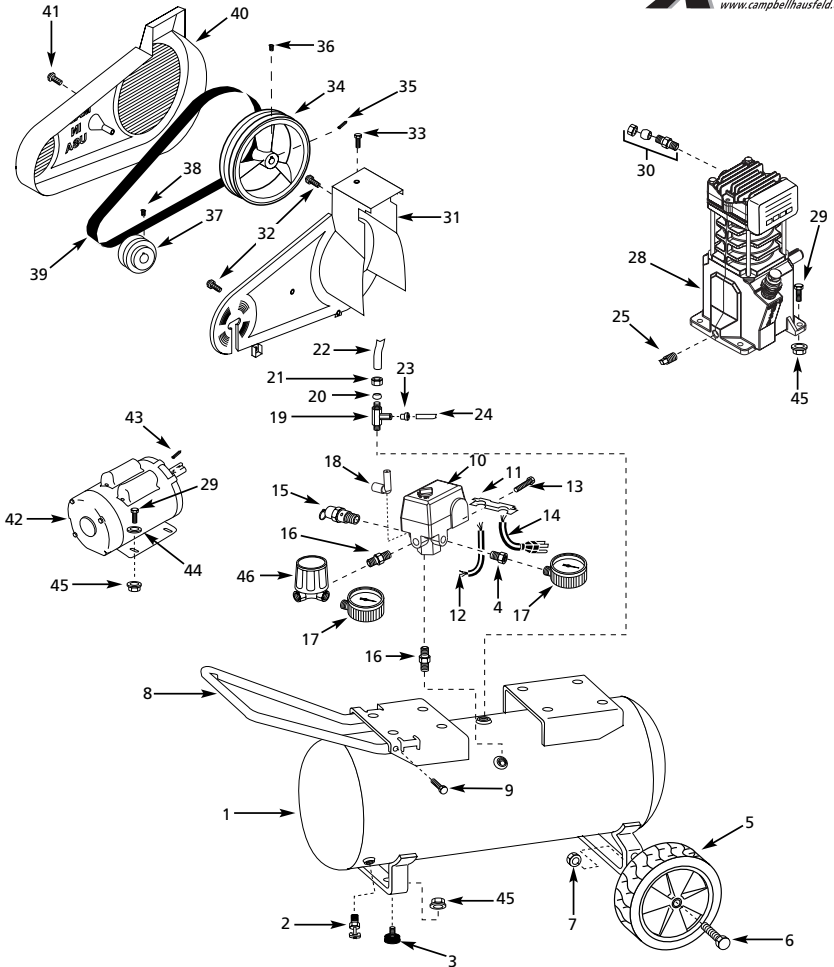


# Portable Air Compressors Compressores de Ar Portáteis Compresores de Aire Portátiles

Replacement Parts List  
Lista de Peças de Reposição  
Lista de Repuestos

VS400107, VS401103, VS402406, VS402703, VS500900,  
VX500900, VX811104, VX811305

For parts, products & service information visit  
**POWER XPERT**  
www.campbellhausfeld.com



**VS400107, VS401103, VS402406, VS402703, VS500900,  
VX500900, VX811104, VX811305**

Replacement Parts List

**For Replacement Parts, Call 1-800-543-6400**

Please provide following information:

- Model number
- Serial number (if any)
- Part description and number as shown in parts list

Address parts correspondence to:

The Campbell Group / Attn: Parts Department  
100 Production Drive  
Harrison, OH 45030 U.S.A.

Ref. No.	Description	Part Numbers For Models:				Qty
		VS400107 VS401103 VS402406	VS500900 VS402703	VX811104 VX811305	VX500900	
1	Tank	AR044600CG	AR044800CG	AR044700CG	AR044800CG	1
	Tank (Model VS400107 & VS402406)	AR044700CG	—	—	—	1
2	Drain cock	D-1403	D-1403	D-1403	D-1403	1
3	Foot	ST162600AV	ST162600AV	ST162600AV	ST162600AV	2
4	1/4" x 1/8" Reducer	ST071407AV	ST071407AV	ST071407AV	ST071407AV	1
5	8" Wheel	WA003900AV	WA003900AV	WA003900AV	WA003900AV	2
6	Axle bolt	ST033400AV	ST033400AV	ST033400AV	ST033400AV	2
7	Hex keps nut	ST033500AV	ST033500AV	ST033500AV	ST033500AV	2
8	Handle	HL001801BH	HL001801BH	HL001801BH	HL001801BH	1
9	Handle screw	ST073236AV	ST073236AV	ST073236AV	ST073236AV	1
10	Pressure switch	CW208700AJ	CW208700AJ	CW208700AJ	CW208700AJ	1
11	Strain relief	CW209500AV	CW209500AV	CW209600AV	CW209600AV	1
12	Motor cord	EC012800AV	EC012800AV	EC012400AV	EC012400AV	1
13	Strain relief screw	ST209800AV	ST209800AV	ST209800AV	ST209800AV	1
14	Power cord	EC012601AV	EC012601AV	EC012500AV	EC012500AV	1
15	ASME Safety valve	V-215100AV	V-215100AV	V-215100AV	V-215100AV	1
16	1/4" Nipple	HF002401AV	HF002401AV	HF002401AV	HF002401AV	2
17	Gauge	GA016300AV	GA016300AV	GA016300AV	GA016300AV	2
18	Unloader	CW210000AV	CW210000AV	CW210000AV	CW210000AV	1
19	Check valve	CV221503AJ	CV221503AJ	CV221503AJ	CV221503AJ	1
20	Ferrule	ST085200AV	ST085200AV	ST085200AV	ST085200AV	1
21	Compression nut	ST033001AV	ST033001AV	ST033001AV	ST033001AV	1
22	Discharge tube	VS020700AP	VS020900AP	VS020700AP	VS020900AP	1
23	Push-in fitting	ST081301AV	ST081301AV	ST081301AV	ST081301AV	1
24	Unloader tube	ST117801AV	ST117801AV	ST117801AV	ST117801AV	1
25	Oil drain cap	ST072915AV	ST072915AV	ST072915AV	ST072915AV	1
28	Pump	VS260000KB	VS260000KB	VS260000KB	VS260000KB	1
29	5/16"-18 x 3/4" Hex head screw	ST016000AV	ST016000AV	ST016000AV	ST016000AV	8
30	Compression connector assembly	ST018300AV	ST018300AV	ST018300AV	ST018300AV	1
31	Belt guard (back)	BG217902AV	BG217902AV	BG217902AV	BG217902AV	1
32	#10-24 x 5/16" Self-tapping screw	ST042400AV	ST042400AV	ST042400AV	ST042400AV	3
33	5mm x 25mm Self-tapping screw	ST073269AV	ST073269AV	ST073269AV	ST073269AV	1
34	Flywheel	PU004900AV	PU004900AV	PU004900AV	PU004900AV	1
35	3/16" Key	KE000900AV	KE000900AV	KE000900AV	KE000900AV	1
36	3/8"-16 x 3/4" Setscrew	ST026200AV	ST026200AV	ST026200AV	ST026200AV	1
37	Pulley	PU012700AV	PU012700AV	PU012700AV	PU012700AV	1
38	1/4 - 20 x 1/2" Setscrew	ST012200AV	ST012200AV	ST012200AV	ST012200AV	1
39	Belt	BT002800AV	BT002800AV	BT002800AV	BT002800AV	1
40	Belt guard (front)	BG217800AV	BG217800AV	BG217800AV	BG217800AV	1
41	Plascrew	ST058502AV	ST058502AV	ST058502AV	ST058502AV	1
42	Electric motor (Model VS400106)	MC017702AJ	—	—	—	1
	Electric motor (Models VS401103 & VS402406, VS402703)	MC017802AJ	MC017802AJ	—	—	1
	Electric motor	—	—	MC049401AV	MC049401AV	1
	Electric motor (Model VS500900)	—	MC015502AJ	—	—	1
	Electric motor (Model VX500900)	—	—	—	MC014600AV	1
43	3/16" sq. x 1 1/2" Key	KE000903AV	KE000903AV	KE000903AV	KE000903AV	1
44	5/16" Washer	ST011200AV	ST011200AV	ST011200AV	ST011200AV	4
45	5/16" - 18 Locknut	ST146001AV	ST146001AV	ST146001AV	ST146001AV	10
46	Regulator	RE206203AV	RE206203AV	RE206203AV	RE206203AV	1
A	Warning Decal 3 Piece	DK630300AV	DK630300AV	DK630300AV	DK630300AV	1
A	Inspection port o-ring	ST070161AV	ST070191AV	ST070161AV	ST070191AV	2
A	Not Shown					