

Notes Notas

HL5402

See Warranty on page 10 for important information about commercial use of this product.

Operating Instructions and Parts List

HL5402

Please read and save these instructions. Read carefully before attempting to assemble, install, operate or maintain the product described. Protect yourself and others by observing all safety information. Failure to comply with instructions could result in personal injury and/or property damage! Retain instructions for future reference.

Oil Lubricated Compressors

Description

This oil-lubricated compressor is designed for do-it-yourselfers with a variety of home and automotive jobs. These compressors power spray guns, impact wrenches and other tools. Compressed air from this unit will contain moisture. Install a water filter or air dryer if application requires dry air.

Safety Guidelines

This manual contains information that is very important to know and understand. This information is provided for SAFETY and to PREVENT EQUIPMENT PROBLEMS. To help recognize this information, observe the following symbols.

⚠ DANGER *Danger indicates an imminently hazardous situation which, if not avoided, WILL result in death or serious injury.*

⚠ WARNING *Warning indicates a potentially hazardous situation which, if not avoided, COULD result in death or serious injury.*

⚠ CAUTION *Caution indicates a potentially hazardous situation which, if not avoided, MAY result in minor or moderate injury.*

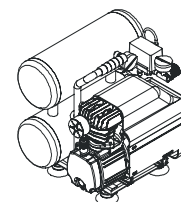
NOTICE *Notice indicates important information, that if not followed, MAY cause damage to equipment.*

Unpacking

After unpacking the unit, inspect carefully for any damage that may have occurred during transit. Make sure to tighten fittings, bolts, etc., before putting unit into service. In case of questions, damaged or missing parts, please call 1-800-543-6400 for customer assistance or call the nearest



DO NOT RETURN THE PRODUCT TO THE RETAILER!



Record the Model No., Serial No. and date of purchase located on the base below the pump in the space below.

Model No. _____

Serial No. _____

Date of purchase _____

Retain these numbers for future reference.

Authorized Service Center.

A listing of service center locations is enclosed. Have the serial number, model number, and parts list (with missing parts circled before calling.)

General Safety Information

⚠ WARNING *Do not operate unit if damaged during shipping, handling or use. Damage may result in bursting and cause injury or property damage.*

Since the air compressor and other components (filters, lubricators, hoses, etc.) used, make up a high pressure pumping system, the following safety precautions must be observed at all times:

⚠ DANGER

Breathable Air Warning

This compressor/pump is not equipped and should not be used "as is" to supply breathing quality air. For any application of air for human consumption, the air compressor/pump will need to be fitted with suitable in-line safety and alarm equipment. This additional equipment is necessary to properly filter and purify the air to meet minimal specifications for Grade D breathing as described in Compressed Gas Association Commodity Specification G 7.1 - 1966, OSHA 29 CFR 1910. 134, and/or Canadian Standards Associations (CSA).

DISCLAIMER OF WARRANTIES
In the event the compressor is used for the purpose of breathing air application and proper in-line safety and alarm equipment is not simultaneously used, existing warranties shall be voided, and the manufacturer disclaims any liability whatsoever for any loss, personal injury or damage.

1. Read all manuals included with this product carefully. Be thoroughly familiar with the controls and the proper use of the equipment.



2. Follow all local electrical and safety codes as well as in the US, National Electrical Code (NEC) and Occupational Safety and Health Act (OSHA).

REMINDER: Keep your dated proof of purchase for warranty purposes! Attach it to this manual or file it for safekeeping.

General Safety Information (Continued)

- 3. Only persons well acquainted with these rules of safe operation should be allowed to use the compressor.
4. Keep visitors away and NEVER allow children in the work area.
5. Wear safety glasses and use hearing protection when operating the pump or unit.
6. Do not stand on or use the pump or unit as a handhold.
7. Before each use, inspect compressed air system and electrical components for signs of damage, deterioration, weakness or leakage. Repair or replace defective items before using.
8. Check all fasteners at frequent intervals for proper tightness.



WARNING

Motors, electrical equipment and controls can cause electrical arcs that will ignite a flammable gas or vapor. Never operate or repair in or near a flammable gas or vapor. Never store flammable liquids or gases in the vicinity of the compressor.



CAUTION

Compressor parts may be hot even if the unit is stopped.



- 9. Keep fingers away from a running compressor; fast moving and hot parts will cause injury and/or burns.
10. If the equipment should start to abnormally vibrate, STOP the engine/motor and check immediately for the cause. Vibration is generally a warning of trouble.
11. To reduce fire hazard, keep engine/motor exterior free of oil, solvent, or excessive grease.

WARNING

Never remove or attempt to adjust safety valve. Keep safety valve free from paint and other accumulations.

DANGER



Never attempt to repair or modify a tank! Welding, drilling or any other modification will weaken the tank resulting in damage from rupture or explosion. Always replace worn or damaged tanks.

WARNING

Drain liquid from tank daily.

- 13. Tanks rust from moisture build-up, which weakens the tank. Make sure to drain tank regularly and inspect periodically for unsafe conditions such as rust formation and corrosion.
14. Fast moving air will stir up dust and debris which may be harmful. Release air slowly when draining moisture or depressurizing the compressor system.

SPRAYING PRECAUTIONS

WARNING



Do not spray flammable materials in vicinity of open flame or near ignition sources including the compressor unit.

- 15. Do not smoke when spraying paint, insecticides, or other flammable substances.
16. Use a face mask/respirator when spraying and spray in a well ventilated area to prevent health and fire hazards.
17. Do not direct paint or other sprayed material at the compressor. Locate compressor as far away from the spraying area as possible to minimize overspray accumulation on the compressor.
18. When spraying or cleaning with solvents or toxic chemicals, follow the instructions provided by the chemical manufacturer.



Installation

LOCATION

It is extremely important to install the compressor in a clean, dry, and well ventilated area. The compressor must be placed on a firm, level surface where the surrounding air temperature will not be more than 100°F.

A minimum clearance of 18 inches between the compressor and a wall is required because objects could obstruct air flow.

CAUTION

Do not locate the compressor air inlet near steam, paint spray, sandblast areas or any other source of contamination. This debris will damage the motor.

ELECTRICAL INSTALLATION

WARNING

All wiring and

electrical connections should be performed by a qualified electrician. Installation must be in accordance with local codes and national electrical codes.

WIRING

- 1. Local electrical wiring codes differ from area to area. Source wiring, plug and protector must be rated for at least the amperage and voltage indicated on motor nameplate, and meet all electrical codes for this minimum.
2. Use a slow blow fuse or a circuit breaker.
3. This product is for use on a nominal 120 volt circuit and has a grounding plug that looks like the plug illustrated in Figure 1. Make sure the product is connected to an outlet having the same configuration as the plug. This product must be grounded. In the event of an electrical short circuit, grounding reduces risk of electrical shock by providing an escape wire for electric current. This product is equipped with a cord having a grounding wire with an appropriate grounding plug. Plug must be plugged into an outlet that is properly installed and grounded in accordance with all local codes and ordinances.

CAUTION

Overheating, short circuiting and fire damage will result from inadequate wiring.

Notes
Notas

Series of horizontal lines for taking notes.

Garantía Limitada

1. DURACIÓN: A partir de la fecha de compra por el comprador original: Un Año.
 2. QUIEN OTORGA ESTA GARANTÍA (EL GARANTE: Campbell Hausfeld / The Scott Fetzer Company 100 Production Drive, Harrison, Ohio 45030 Teléfono: (800) 543-6400
 3. QUIEN RECIBE ESTA GARANTÍA (EL COMPRADOR): El comprador original (que no sea un revendedor) del producto Campbell Hausfeld.
 4. PRODUCTOS CUBIERTOS POR ESTA GARANTÍA: Cualquier compresor de aire Campbell Hausfeld.
 5. COBERTURA DE LA GARANTÍA: Piezas y Mano de Obra para remediar defectos importantes debidos a material y mano de obra durante el primer año de propiedad con las excepciones indicadas a continuación.
 6. LO QUE NO ESTÁ CUBIERTO POR ESTA GARANTÍA:
 - A. Las garantías implícitas, incluyendo aquéllas de comerciabilidad e IDONEIDAD PARA FINES PARTICULARES, ESTÁN LIMITADAS A PARTIR DE LA FECHA DE COMPRA ORIGINAL DE ACUERDO CON LO ESPECIFICADO EN EL PÁRRAFO DE DURACIÓN. Si el compresor de aire es empleado para uso comercial, industrial o para renta, la garantía será aplicable por noventa (90) días a partir de la fecha de compra. En algunos estados no se permiten las limitaciones a la duración de una garantía implícita, por lo cual las limitaciones antedichas pueden no ser aplicables en su caso.
 - B. CUALQUIER PÉRDIDA DAÑO INCIDENTAL, INDIRECTO O CONSECUENTE QUE PUEDA RESULTAR DE UN DEFECTO, FALLA O MALFUNCIONAMIENTO DEL PRODUCTO CAMPBELL HAUSFELD. En algunos estados no se permite la exclusión o limitación de daños incidentales o consecuentes, por lo tanto, en tales casos esta limitación o exclusión no es aplicable
 - C. Cualquier falla que resulte de un accidente, abuso, negligencia o incumplimiento de las instrucciones de funcionamiento y uso indicadas en el (los) manual(es) que se adjunta(n) al compresor.
 - D. Los servicios requeridos antes de la entrega tales como: ensamblaje, aceite o lubricantes y ajustes.
 - E. Artículos o servicios normalmente requeridos para el mantenimiento del producto, tales como: lubricantes, filtros, empaques, etc.
 - F. Los motores de gasolina están específicamente excluidos de la cobertura de esta garantía limitada. El comprador debe seguir las clausulas de la garantía otorgada por el fabricante del motor de gasolina que se suministra con el producto.
 - G. Artículos adicionales no cubiertos bajo esta garantía:
 1. Piezas excluidas que pertenecen a Todos los Compresores
 - a. Cualquier componente dañado durante el envío o cualquier daño ocasionado por haber instalado u operado la unidad bajo condiciones contrarias a lo indicado en las instrucciones para instalar u operar la unidad o daños ocasionados por el contacto con herramientas o los alrededores.
 - b. Daños del cabezal o las válvulas ocasionados por la lluvia, humedad excesiva, agentes corrosivos u otros contaminantes.
 - c. Daños de apariencia que no afecten el funcionamiento del compresor.
 - d. Tanques oxidados, incluyendo pero no limitado al óxido debido al drenaje inadecuado u agentes corrosivos en el ambiente.
 - e. Las siguientes piezas se consideran artículos sujetos a desgaste normal y no son cubiertas después del primer año de propiedad.
 - Motor eléctrico, válvula de retención, interruptor de presión, regulador, manómetros, mangueras, tuberías, tubos, accesorios y acoples, tornillos, tuercas, artículos de ferretería, correas, poleas, volante, filtro de aire y caja, juntas, sellos, pérdidas de aceite, pérdidas de aire, consumo o uso de aceite, anillos del pistón.
 - f. Llaves de drenaje
 - g. Daños debidos al alambrado incorrecto o conexión a circuitos con voltaje inadecuados para la unidad.
 - h. Otros artículos no enumerados pero considerados de desgaste general.
 - i. Presostatos, controles de flujo de aire y válvulas de seguridad cuyos parametros fijados de fábrica se modifiquen.
 - j. Daño por mantenimiento inadecuado del filtro.
 - k. Motores de inducción alimentados con electricidad producida por un generador.
 2. Compresores lubricados
 - a. Daños del cabezal o las válvulas debidos al uso de aceites no especificados.
 - b. Daños del cabezal o las válvulas debidos a cualquier contaminación del aceite o por no haber seguido las instrucciones de lubricación.
 - c. Desgaste o daño de la bomba causados por el no haber aplicado apropiadamente los criterios de mantenimiento en referencia al aceite, funcionamiento con nivel de aceite por debajo del nivel apropiado o funcionamiento sin aceite.
 7. RESPONSABILIDADES DEL GARANTE BAJO ESTA GARANTÍA: Reparar o reemplazar, como lo decida el Garante, el compresor o componentes que estén defectuosos, se hayan dañado o hayan dejado de funcionar adecuadamente, durante el periodo de validez de la garantía
 8. RESPONSABILIDADES DEL COMPRADOR BAJO ESTA GARANTÍA:
 - A. Suministrar prueba fechada de compra y la historia de mantenimiento del producto.
 - B. Entregar o enviar los compresores de aire portátiles o componentes al Centro de Servicio autorizado Campbell Hausfeld más cercano. Los gastos de flete, de haberlos, deben ser pagados por el comprador.
 - C. Tener cuidado al utilizar el producto, tal como se indica(n) en el (los) manual(es) del propietario.
 - D. Reparaciones que requieran tiempo adicional al horario normal de trabajo, o cualquier asunto que exceda la tarifa normal de reembolso por mano de obra para reparaciones bajo la garantía del fabricante.
 - E. El tiempo requerido por cualquier control de seguridad, capacitación relacionada con seguridad, o asuntos similares necesarios para que el personal de servicio pueda tener acceso a las instalaciones.
 - F. La ubicación de la unidad debe tener espacio suficiente para que el personal de servicio pueda realizar reparaciones y debe ser fácilmente accesible.
 9. CUÁNDO EFECTUARÁ EL GARANTE LA REPARACIÓN O REEMPLAZO CUBIERTO BAJO ESTA GARANTÍA: La reparación o reemplazo dependerá del flujo normal de trabajo del centro de servicio y de la disponibilidad de repuestos.
- Esta garantía limitada es válida sólo en los EE.UU., Canadá y México y otorga derechos legales específicos. Usted también puede tener otros derechos que varían de un Estado a otro, o de un país a otro.

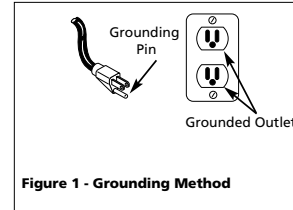


Figure 1 - Grounding Method

LUBRICATION

CAUTION THIS UNIT IS SHIPPED WITHOUT OIL! Follow lubrication instructions before operating compressor.

Use oil shipped with the compressor. Do not use regular automotive oil such as 10W-30. Additives in regular motor oil can cause valve deposits and reduce pump life. For maximum pump life, drain and replace oil after the first hour of run time.

The compressor pump takes approximately 175mL (6 oz) of oil. The sight glass, located on the crankcase portion of the pump, is used to determine proper oil level. Fill the crankcase with oil until the level is in the middle of the sight glass. Avoid overfilling by adding oil gradually and checking the oil level with

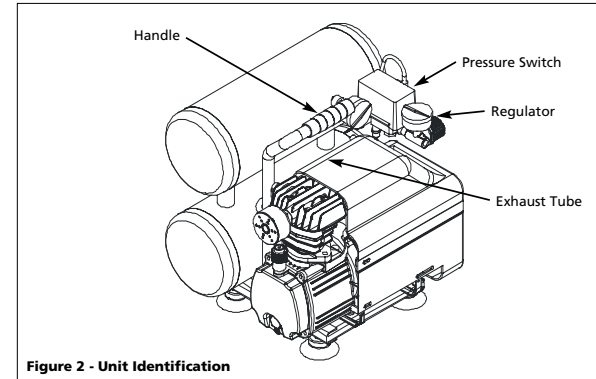


Figure 2 - Unit Identification

the sight glass several times. Add enough oil to reach the "max" level on the sight glass. Proper oil level is illustrated in Figure 3.

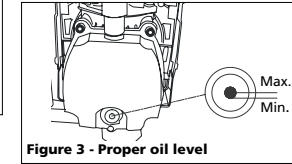


Figure 3 - Proper oil level

Operation

- **Pressure Switch** - Auto/Off Switch - In the **AUTO** position, the compressor shuts off automatically when tank pressure reaches the maximum preset pressure. In the **OFF** position, the compressor will not operate. This switch should be in the **OFF** position when connecting or disconnecting the power cord from the electrical outlet or when changing air tools.
- **Regulator** - The regulator controls the amount of air pressure released at the hose outlet.

- **ASME Safety Valve** - This valve is located on the bottom of the pressure switch. It will automatically releases air if the tank pressure exceeds the preset maximum.
- **Exhaust Tube** - This tube carries compressed air from the pump to the check valve. This tube becomes very hot during use. To avoid the risk of severe burns, never touch the discharge tube.
- **Check Valve** - This valve is located at the end of the exhaust tube where it meets the tank. It is a one-way valve that allows air to enter the tank, but prevents air in the tank from flowing back into the compressor pump.
- **Handle** - Designed to move the compressor.

WARNING Never use the handle on wheeled units to lift the unit completely off the ground.

- **Drain Valve** - This valve is located on the bottom of the tank. Use this valve to drain moisture from the tank daily to reduce the risk of corrosion.

Reduce tank pressure below 10 psi, then drain moisture from tank daily to avoid tank corrosion. Drain moisture from tank by opening the drain valve located underneath the tank.

BEFORE FIRST START-UP BREAK-IN PROCEDURE

(Complete this procedure before using compressor for the first time. Once completed, it is not necessary to repeat.)

1. Turn regulator knob fully clockwise (to the right) to open air flow.
2. Turn on/off switch to OFF position.
3. Plug in power cord.
4. Turn on/off switch to ON position and run compressor for 30 minutes.
5. Turn on/off switch to OFF position.

Extension cords for 120V/15 Amp Unit									
Length of Cord (ft)	25	50	100	150	200	250	300	400	500
Gauge of Cord	16	12	10	8	6	6	4	4	2

Operation (Continued)

6. Unplug power cord.
The compressor is now ready for use.

BEFORE EACH START-UP OPERATING PROCEDURE

1. Turn regulator knob fully counterclockwise (to the left) to close air flow.
2. Connect air hose to outlet of regulator.
3. Turn on/off switch to OFF position.
4. Plug in power cord.
5. Turn on/off switch to ON position and let compressor run until it reaches automatic shutoff pressure.
6. Attach tire chuck or tool to end of hose.
7. Turn regulator knob clockwise (to the right) to desired pressure of tool being used.

On/Off cycling of compressor

In the ON/AUTO position, the compressor pumps air into the tank. When a shut-off (preset "cut-out") pressure is reached, the compressor automatically shuts off.

If the compressor is left in the ON/AUTO position and air is depleted from the tank by use of a tire chuck, tool, etc., the compressor will restart automatically at its preset "cut-in" pressure. When a tool is being used continuously, the compressor will cycle on and off automatically.

In the OFF position, the pressure switch cannot function and the compressor will not operate. Make sure switch is in OFF position when connecting or disconnecting power cord from electrical outlet.

ASME SAFETY VALVE

⚠ WARNING Do not remove or attempt to adjust the safety valve!

Check the safety valve by performing the following steps:

1. Plug the compressor in and run until shut off pressure is reached (see Operating Procedure).

MOISTURE IN COMPRESSED AIR

Moisture in compressed air will form into droplets as it comes from an air compressor pump. When humidity is high or when a compressor is in continuous use for an extended period of time, this moisture will collect in the tank. When using a paint spray or sandblast gun, this water will be carried from the tank through the hose, and out of the gun as droplets mixed with the spray material.

IMPORTANT: This condensation will cause water spots in a paint job, especially when spraying other than water based paints. If sandblasting, it will cause the sand to cake and clog the gun, rendering it ineffective. A filter in the air line (MP3105), located as near to the gun as possible, will help eliminate this moisture.

2. Wearing safety glasses, pull the ring on the safety valve to release pressure from compressor tank. Use your other hand to deflect fast-moving air from being directed toward your face.
3. The safety valve should automatically close at approximately 40-50 PSI. If the safety valve does not allow air to be released when you pull on the ring, or if it does not close automatically, it MUST be replaced.

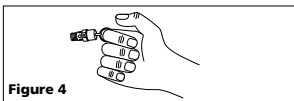


Figure 4

PRESSURE GAUGES

Gauge attached to regulator indicates air pressure going to hose (and any tool attached to end of hose).

Gauge attached to pressure switch indicates air pressure in tank.

Maintenance

⚠ WARNING Disconnect power source and then release all pressure from the system before attempting to install, service, relocate or perform any maintenance.

Check compressor often for any visible problems and follow maintenance procedures each time compressor is used.

⚠ WARNING Safety valve must be replaced if it cannot be actuated or it leaks air after ring is released.

1. Turn compressor off and release pressure from system. (To release pressure from system, pull ring on ASME safety valve. Deflect escaping air by shielding valve with one hand as you pull ring with other hand.) Pull ring until tank is empty.

⚠ CAUTION A large amount of fast moving air will be released when the safety valve is opened with pressure in the tank. Wear ANSI approved Z87.1 safety glasses.

2. Drain moisture from tank by opening drain valve underneath tank. Tilt tank to remove all moisture.

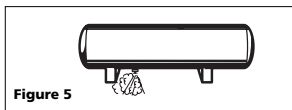


Figure 5

3. Clean dust and dirt from tank, air lines and pump cover while compressor is still OFF.

OIL CHANGE

1. Allow compressor to run and warm up oil. Unplug unit.
2. Position a pan under pump end of unit.
3. Remove drain plug. Allow oil to collect in pan. Tilt unit to completely drain.
4. Replace drain plug, fill pump to center of sight glass. Use Chevron

Guía de diagnóstico de averías (Continuación)

Problema	Posible(s) Causa(s)	Acción a tomar
La presión del tanque disminuye cuando se apaga el compresor	<ol style="list-style-type: none"> 1. Válvula de drenaje floja 2. Fugas en la válvula de retención 3. Conexiones flojas en los accesorios, tubería, etc. 4. Fugas del tanque 	<ol style="list-style-type: none"> 1. Ajuste. 2. Retire la válvula de retención. Limpie o reemplace. 3. Revise todas las conexiones con una solución de agua y jabón. Si detecta una fuga, (1) ajuste o (2) retire las conexiones y aplique cinta para tuberías en las roscas, y vuelva a ensamblar. 4. Revise el tanque en busca de fugas con una solución de agua y jabón. Si detecta una fuga, se deberá reemplazar el tanque con una pieza de repuesto original. <p>⚠ PELIGRO No desensamble la válvula de retención con aire en el tanque; purgue el tanque.</p>
El compresor funciona en forma continua y la salida de aire es más baja que la presión de descarga normal/baja.	<ol style="list-style-type: none"> 1. Uso excesivo de aire, el compresor es demasiado pequeño 2. Filtro de entrada obstruido 3. Conexiones flojas en los accesorios, tubería, etc. 4. Fugas del tanque 5. Válvulas rotas 6. Aro del pistón desgastado 	<ol style="list-style-type: none"> 1. Disminuya el uso o compre una unidad que ofrezca una entrega de aire mayor (SCFM). 2. Limpie o reemplace. 3. Revise todas las conexiones con una solución de agua y jabón. Si detecta una fuga, (1) ajuste o (2) retire las conexiones y aplique cinta para tuberías en las roscas, y vuelva a ensamblar. 4. Revise el tanque en busca de fugas con una solución de agua y jabón. Si detecta una fuga, se deberá reemplazar el tanque con una pieza de repuesto original. 5. Reemplace las válvulas del compresor según sea necesario. 6. Reemplace los aros del pistón.
Exceso de humedad en el aire de descarga	<ol style="list-style-type: none"> 1. Demasiada agua en el tanque 2. Humedad elevada 	<ol style="list-style-type: none"> 1. Drene el tanque. 2. Llévelo a un área menos húmeda, utilice un filtro de aire de línea. <p>NOTA: La condensación de agua no es una causa para el mal funcionamiento del compresor.</p>
El compresor funciona en forma continua y la válvula de seguridad se abre cuando aumenta la presión	<ol style="list-style-type: none"> 1. Presostato defectuoso 2. Válvula de seguridad defectuosa 	<ol style="list-style-type: none"> 1. Reemplace el interruptor. 2. Cambie la válvula de retención con un repuesto original.
Arranques y paradas excesivas (encendido automático)	<ol style="list-style-type: none"> 1. Demasiada condensación en el tanque 2. Conexiones flojas en los accesorios, tubería, etc. 3. Fugas del tanque 	<ol style="list-style-type: none"> 1. Drene con más frecuencia. 2. Revise todas las conexiones con una solución de agua y jabón. Si detecta una fuga, (1) ajuste o (2) retire las conexiones y aplique cinta para tuberías en las roscas, y vuelva a ensamblar. 3. Revise el tanque en busca de fugas con una solución de agua y jabón. Si detecta una fuga, se deberá reemplazar el tanque con una pieza de repuesto original. <p>⚠ PELIGRO No desensamble la válvula de retención con aire en el tanque; purgue el tanque.</p>
Fuga de aire en la válvula de descarga en el interruptor de presión	<ol style="list-style-type: none"> 1. Válvula de retención atascada en la posición de abierto 2. Válvula de descarga atascada en la posición de abierto 	<ol style="list-style-type: none"> 1. Repare o cambie la válvula de retención. 2. Repare o cambie la válvula de descarga. <p>⚠ PELIGRO No desensamble la válvula de retención con aire en el tanque; purgue el tanque</p>

Guía de diagnóstico de averías

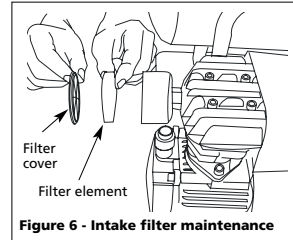
Problema	Posible(s) Causa(s)	Acción a tomar
El compresor no funciona	<ol style="list-style-type: none"> 1. El interruptor está en la posición OFF (apagado) 2. No hay corriente eléctrica en el tomacorriente de la pared 3. El compresor alcanzó la presión de corte automático 4. Motor recalentado 5. Interruptor de presión defectuoso 	<ol style="list-style-type: none"> 1. Asegúrese de que el compresor esté enchufado y que el interruptor esté en la posición ON (encendido). 2. Revise el disyuntor o fusible en el panel de electricidad. 3. Libere aire del tanque hasta que el compresor se reinicie automáticamente. 4. Deje que el compresor se enfríe durante aproximadamente 30 minutos para que el interruptor térmico de sobrecarga vuelva a su posición normal. Asegúrese de que el compresor esté funcionando en un área limpia y bien ventilada. 5. Cambie el interruptor de presión.
El motor zumba pero no enciende o funciona lento	<ol style="list-style-type: none"> 1. Válvula de retención defectuosa 2. Válvula de descarga defectuosa (en el interruptor de presión) 3. Bajo voltaje 4. Conexiones eléctricas sueltas 5. Calibre del cable o largo del cordón de extensión incorrectos 6. Condensador del motor defectuoso 7. Bobinado del motor en corto circuito o abierto 	<ol style="list-style-type: none"> 1. Repare o reemplace. 2. Repare o reemplace. 3. Verifique el voltaje en el tomacorriente de pared con un voltímetro. 4. Verifique todas las conexiones eléctricas. 5. Verifique el cuadro del cordón de extensión para ver el correcto uso del mismo. 6. Reemplace el condensador 7. Vuelva a colocar el ensamble del motor. <p>⚠ PELIGRO No desensamble la válvula de retención con aire en el tanque; purgue el tanque.</p>
El flujo sale/ el disyuntor falla a menudo	<ol style="list-style-type: none"> 1. Fusible de tamaño incorrecto, circuito sobrecargado 2. Calibre del cable o largo del cordón de extensión incorrectos 3. Válvula de retención defectuosa 4. Válvula de descarga defectuosa (en el interruptor de presión) 5. Condensador del motor defectuoso 6. Motor en cortocircuito o atascado 	<ol style="list-style-type: none"> 1. Verifique que el fusible sea el adecuado. Use un fusible de tiempo de retardo. Desconecte los demás accesorios eléctricos del circuito, o haga funcionar el compresor en su propio ramal del circuito. 2. Verifique el cuadro del cordón de extensión para ver el correcto uso del mismo. 3. Repare o reemplace. 4. Repare o reemplace. 5. Reemplace el condensador 6. Vuelva a colocar el ensamble del motor. <p>⚠ PELIGRO No desensamble la válvula de retención con aire en el tanque; purgue el tanque.</p>
El protector térmico de sobrecarga detiene el funcionamiento reiteradamente	<ol style="list-style-type: none"> 1. Bajo voltaje 2. Calibre del cable o largo del cordón de extensión incorrectos 3. Filtro de entrada obstruido 4. Falta de ventilación adecuada/ temperatura ambiente demasiado alta 5. Válvula de retención defectuosa 6. Válvula de descarga defectuosa (en el interruptor de presión) 7. Fallaron las válvulas del compresor 	<ol style="list-style-type: none"> 1. Verifique el voltaje en el tomacorriente de pared con un voltímetro. 2. Verifique el cuadro del cordón de extensión para ver el correcto uso del mismo. 3. Limpie o reemplace el filtro. 4. Mueva el compresor a un área bien ventilada. 5. Repare o reemplace. 6. Repare o reemplace. 7. Reemplace el ensamble de la válvula. <p>⚠ PELIGRO No desensamble la válvula de retención con aire en el tanque; purgue el tanque.</p>
Golpeteos, zumbidos, y/o vibración excesiva.	<ol style="list-style-type: none"> 1. Pernos de montaje sueltos 2. El tanque no está nivelado 3. El cilindro o pistón está desgastado/marcado 	<ol style="list-style-type: none"> 1. Ajuste los pernos. 2. Utilice una cuña/objeto fuerte para poner el tanque a nivel. 3. Reemplace o repare según sea necesario.

Maintenance (Continued)

synthetic 5W-30, Mobil 1 5W-30 or 10W-30 synthetic motor oil. Using other types of oil will cause starting problems.

5. Change oil after every 50 hours of use.

INTAKE AIR FILTER MAINTENANCE
 Removal, Inspection and Replacement (Figure 6)



The intake filter element should be removed and checked periodically. A clogged intake filter can decrease compressor performance and cause the compressor to overheat.

1. Rotate the filter cover counter clockwise and remove .
2. Remove the filter element and inspect.
3. If the filter element is dirty or clogged, replace it.
4. Reinstall filter and cover.

IMPORTANT: Locate unit as far from spraying area as hose will allow to prevent overspray from clogging filter.

OVERLOAD PROTECTOR SECTION

⚠ CAUTION
This compressor is equipped with a manual reset overload protector which will shut off motor if it becomes overloaded.

If overload protector shuts motor OFF frequently, look for the following causes.

1. Low voltage.
2. Clogged air filter.
3. Lack of proper ventilation.

⚠ CAUTION *If the overload protector is actuated, the motor must be allowed to cool down for 30 minutes before manual resetting.*

STORAGE

1. Drain tank of moisture.
2. When not in use, store compressor in a cool, dry place.
3. Disconnect hose and hang open ends down to allow any moisture to drain.

Notes

Oil Lubricated Compressors

Troubleshooting Chart

Symptom	Possible Cause(s)	Corrective Action
Compressor will not run	1. Switch in OFF position	1. Make sure compressor is plugged in and switch is ON.
	2. No electrical power at wall outlet	2. Check circuit breaker or fuse at electrical panel.
	3. Compressor has reached automatic shutoff pressure	3. Release air from tank until compressor restarts automatically.
	4. Motor overheated	4. Allow compressor to cool for approximately 30 minutes so thermal overload switch will reset. Make sure compressor is run in a clean, well-ventilated area.
	5. Pressure switch bad	5. Replace pressure switch.
Motor hums but cannot run or runs slowly	1. Defective check valve	1. Repair or replace.
	2. Defective unloader valve (on pressure switch)	2. Repair or replace.
	3. Low voltage	3. Check voltage at wall outlet with voltmeter.
	4. Loose electrical connections	4. Check all electrical connections.
	5. Wrong gauge wire or length of extension cord	5. Check extension cord chart for proper extension cord usage.
	6. Defective motor capacitor	6. Replace capacitor.
	7. Shorted or open motor winding	7. Replace motor assembly.
▲ DANGER Do not disassemble check valve with air in tank; bleed tank		
Flow blows/circuit breaker trips repeatedly	1. Incorrect fuse size, circuit overloaded	1. Check for proper fuse. Use time delay fuse. Disconnect other electrical appliances from circuit or operate compressor on its own branch circuit.
	2. Wrong gauge wire or length of extension cord	2. Check extension cord chart for proper extension cord usage.
	3. Defective check valve	3. Repair or replace.
	4. Defective unloader valve (on pressure switch)	4. Repair or replace.
	5. Defective motor capacitor	5. Replace capacitor.
	6. Motor shorted or seized	6. Replace motor assembly.
▲ DANGER Do not disassemble check valve with air in tank; bleed tank		
Thermal overload protector cuts out repeatedly	1. Low voltage	1. Check voltage at wall outlet with voltmeter.
	2. Wrong gauge wire or length of extension cord	2. Check extension cord chart for proper extension cord usage.
	3. Clogged intake filter	3. Clean or replace filter.
	4. Lack of proper ventilation/room temperature too high	4. Move compressor to well-ventilated area.
	5. Defective check valve	5. Repair or replace.
	6. Defective unloader valve (on pressure switch)	6. Repair or replace.
	7. Compressor valves failed	7. Replace valve assembly.
▲ DANGER Do not disassemble check valve with air in tank; bleed tank		
Knocks, rattles, and/or excessive vibration	1. Loose mounting bolts	1. Tighten bolts.
	2. Tank not level	2. Use sturdy wedge/object to bring tank to level position.
	3. Cylinder or piston is worn/scored	

HL5402

Para ordenar repuestos, sírvase llamar al distribuidor más cercano a su domicilio

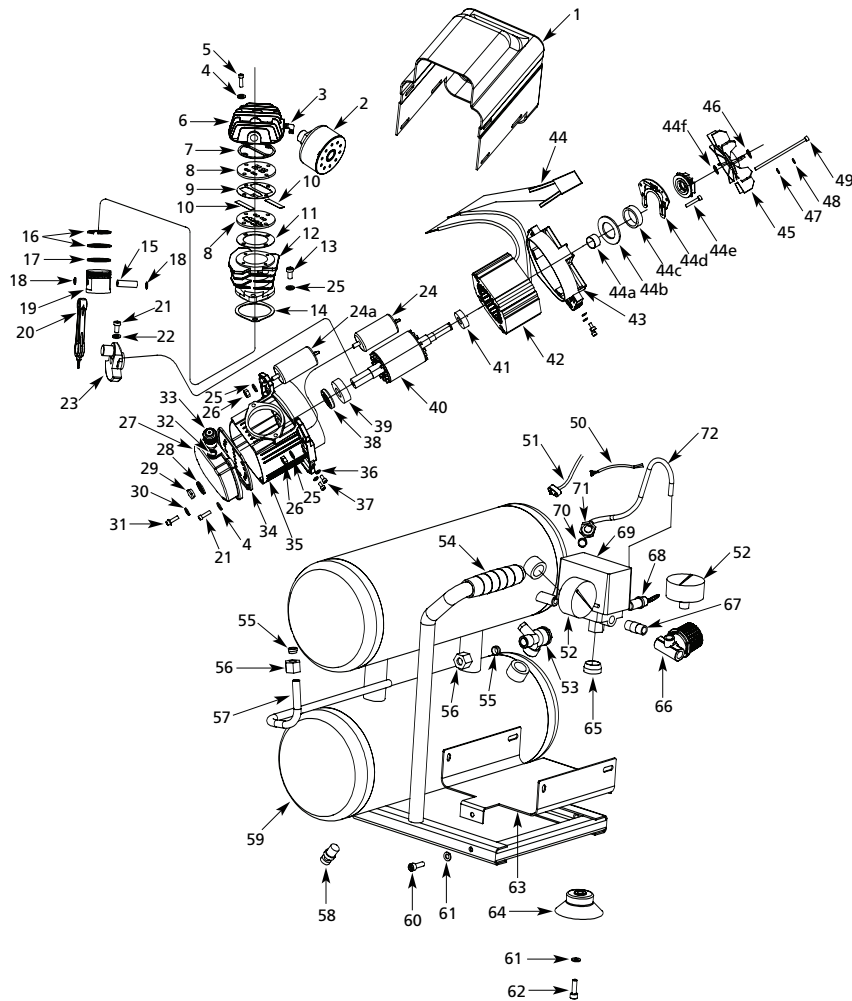
Sírvase darnos la siguiente información:

- Número del modelo
- Número de serie (de haberlo)
- Descripción y número del repuesto según la lista de repuestos

Puede escribirnos a:

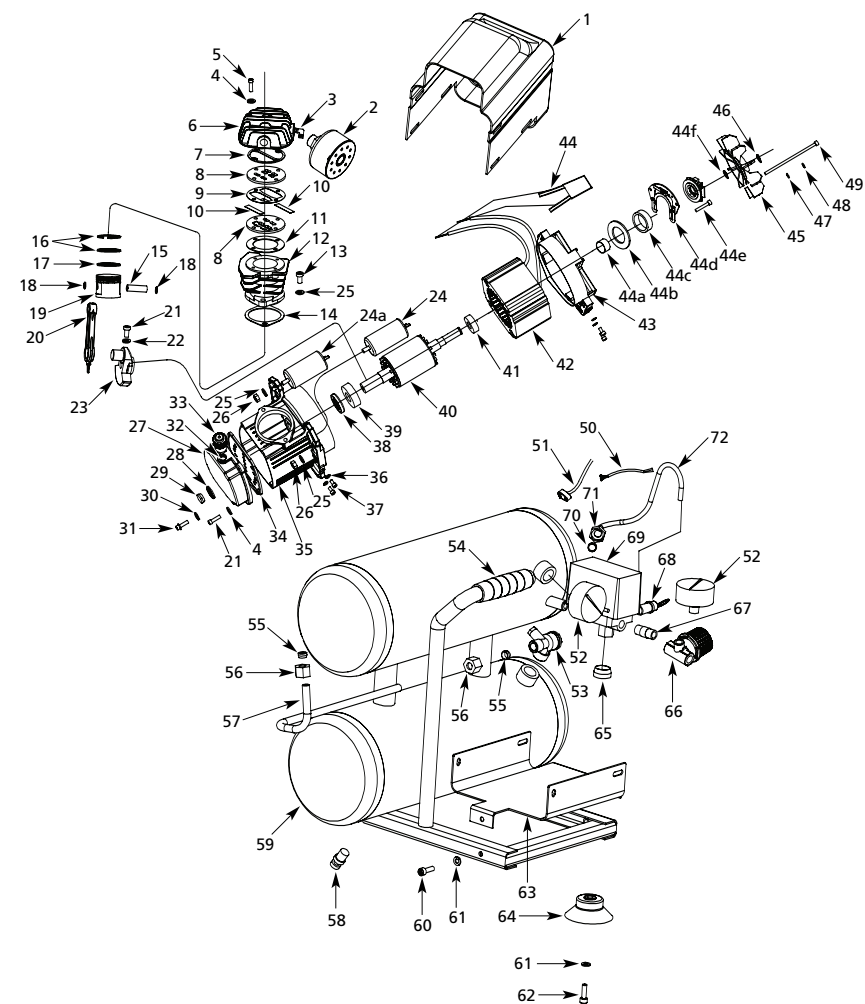
- Attn: Parts Dept.
- 100 Production Drive
- Harrison, OH 45030 USA

No. de Ref.	Descripción	FP2020	Ctd.	No. de Ref.	Descripción	FP2020	Ctd.
1	Tapa	▲	1	46	Círculo	▽	1
2	Filtro de aire (incluye los elementos)	HL030100AV	1	47	Arandela	--	4
3	Codo	HL030200AV	1	48	Arandela de seguridad	--	4
4	Arandela	■, △	8	49	Perno de motor	--	4
5	Perno del cabezal	■	4	50	Cordón del motor	--	1
6	Cabeza do cilindro	■	1	51	Cordón eléctrico	--	1
7	Junta del cabezal	●	1	52	Manómetro	HL030400AV	2
8	Placa de la válvula	◆	2	53	Valvula de chequeo	HL030500AV	1
9	Junta metálica	◆	1	54	Mango	HL030600AV	1
10	Válvula	◆	2	55	Manga	☆	2
11	Empaque para la placa de la válvula	●	1	56	Tuerca	☆	2
12	Cilindro	★	1	57	tubo de escape	☆	1
13	Perno del cilindro	▼	2	58	Válvula de drenaje	HL030700AV	1
14	Empaque del cilindro	●	1	59	Tanque	--	1
15	Pasador	★	1	60	Perno	--	2
16	Anillo de compresión	★	2	61	Arandela	▶	6
17	Anillo de aceite	★	1	62	Perno	▶	4
18	Retenes del pasador de pistón	★	2	63	Base	--	1
19	Pistón	★	1	64	Pata	▶	4
20	Varilla de conexión	HL030300AV	1	65	Tapón	--	1
21	Perno	△	5	66	Regulador de presión	HL030800AV	1
22	Arandela	--	1	67	Niple de cierre	--	1
23	Excéntrica	--	1	68	Válvula de seguridad	HL030900AV	1
24	Condensador	*	1	69	Presostato	HL031000AV	1
24a	Condensador	*	1	70	Manga	✕	2
25	Arandela	▼, *	4	71	Tuerca	✕	2
26	Tuerca	*	2	72	Tubo de descarga	✕	1
27	Cubierta de la caja del cigüeñal	△	1	JUEGOS DE PIEZAS PARA MANTENIMIENTO			
28	Anillo en O	□	1	▲	Juego de cubierta (incluye 1 y 4 cada uno de 36 y 37)	HL031100AV	
29	Ventanilla	□	1	■	Juego de culata (incluye 6 y 4 cada uno de 4 y 5)	HL031200AV	
30	Anillo en O	○	1	●	Juego de empaques (incluye 7, 11, 14, 34)	HL031300AV	
31	Tapón del orificio de drenaje	○	1	◆	Juego del plato de la válvula (incluye 9 y 2 cada uno de 8 y 10)	HL031400AV	
32	Anillo en O	◇	1	▼	Juego del cilindro (incluye 2 cada uno de 13 y 25)	HL031500AV	
33	Respiradero	◇	1	★	Juego de pistones (incluye 15, 17, 19 y 2 cada uno de 16 y 18)	HL031600AV	
34	Junta de la tapa de la caja del cigüeñal	●	1	*	Juego del condensador (incluye 24, 24* y 2 cada uno de 25 y 26)	HL031700AV	
35	Caja del cigüeñal	--	1	△	Juego de cubierta de la caja del cigüeñal (incluye 4 cada uno de 4 y 21)	HL031800AV	
36	Arandela	▲	4	□	Juego del visor de vidrio (incluye 28 y 29)	HL031900AV	
37	Tornillo de la cubierta	▲	4	○	Juego del tapón de drenaje (incluye 30 y 31)	HL032000AV	
38	Sello del sistema de lubricación	--	1	◇	Juego de respiración (incluye 32 y 33)	HL032100AV	
39	Cojinete	--	1	▽	Juego del ventilador (incluye 45 y 46)	HL032200AV	
40	Rotor	--	1	☆	Juego del tubo de escape (incluye 57 y 2 cada uno de 55 y 56)	HL032300AV	
41	Cojinete	--	1	▶	Juego de pata (incluye 61, 62, y 64)	HL032400AV	
42	Estator	--	1	✕	Juego de tubo de descarga (incluye 70, 71, y 72)	HL032500AV	
43	Marco en campana del extremo posterior del motor	--	1				
44	Sobrecarga térmica	--	1				
44a	Anillo de orientación	--	1				
44b	Separador	--	1				
44c	Anillo de orientación	--	1				
44d	Interrupción de arranque	--	1				
44e	Tornillo	--	2				
44f	Círculo	--	1				
45	Ventilador	▽	1				



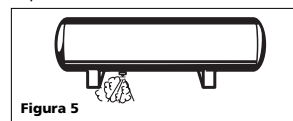
Troubleshooting Chart (Continued)

Symptom	Possible Cause(s)	Corrective Action
Tank pressure drops when compressor shuts off	<ol style="list-style-type: none"> 1. Loose drain valve 2. Check valve leaking 3. Loose connections at fittings, tubing, etc. 4. Tank leaks 	<ol style="list-style-type: none"> 3. Replace or repair as necessary. 1. Tighten. 2. Remove check valve. Clean or replace. 3. Check all connections with soap and water solution. If a leak is detected, (1) tighten or (2) remove fitting and apply pipe tape to threads and reassemble. 4. Check tank for leaks with soap and water solution. If leak is detected, tank must be replaced with genuine replacement part. <p>⚠ DANGER Do not disassemble check valve with air in tank; bleed tank</p>
Compressor runs continuously and air output is lower than normal/low discharge pressure	<ol style="list-style-type: none"> 1. Excessive air usage, compressor too small 2. Clogged intake filter 3. Loose connections at fittings, tubing, etc. 4. Tank leaks 5. Broken valves 6. Piston ring worn 	<ol style="list-style-type: none"> 1. Decrease usage or purchase unit with higher air delivery (SCFM). 2. Clean or replace. 3. Check all connections with soap and water solution. If a leak is detected, (1) tighten or (2) remove fitting and apply pipe tape to threads and reassemble. 4. Check tank for leaks with soap and water solution. If leak is detected, tank must be replaced with genuine replacement part. 5. Replace compressor valves as necessary. 6. Replace piston rings.
Excessive moisture in discharge air	<ol style="list-style-type: none"> 1. Excessive water in tank 2. High humidity 	<ol style="list-style-type: none"> 1. Drain tank. 2. Move to area of less humidity; use air line filter. <p>NOTE: Water condensation is not caused by compressor malfunction.</p>
Compressor runs continuously and safety valve opens as pressure rises	<ol style="list-style-type: none"> 1. Defective pressure switch 2. Defective safety valve 	<ol style="list-style-type: none"> 1. Replace switch. 2. Replace safety valve with genuine replacement part.
Excessive starting and stopping (auto start)	<ol style="list-style-type: none"> 1. Excessive condensation in tank 2. Loose connections at fittings, tubing, etc. 3. Tank leaks 	<ol style="list-style-type: none"> 1. Drain more often. 2. Check all connections with soap and water solution. If a leak is detected, (1) tighten or (2) remove fitting and apply pipe tape to threads and reassemble. 3. Check tank for leaks with soap and water solution. If leak is detected, tank must be replaced with genuine replacement part. <p>⚠ DANGER Do not disassemble check valve with air in tank; bleed tank</p>
Air leaking from unloader valve on pressure switch	<ol style="list-style-type: none"> 1. Check valve stuck in an open position 2. Unloader valve stuck in open position 	<ol style="list-style-type: none"> 1. Repair or replace check valve. 2. Repair or replace unloader valve. <p>⚠ DANGER Do not disassemble check valve with air in tank; bleed tank</p>



Funcionamiento (Continuación)

debajo del tanque. Incline el tanque para eliminar toda la humedad.



3. Limpie el polvo y la suciedad del tanque, las líneas de aire y la cubierta de la bomba, mientras el compresor continúa apagado (OFF).

CAMBIOS DE ACEITE

1. Encienda el compresor de modo que el aceite se caliente. Unplug unit.
2. Coloque un recipiente debajo del extremo del cabezal.
3. Desconecte la unidad del tomacorrientes. Quitele el tapón del orificio de lubricación y vierta el aceite dentro del recipiente. Vire un poco la unidad para drenar el aceite completamente.
4. Reemplace el tapón de drenaje, llene la bomba hasta el centro del visor de vidrio. Use aceite sintético Chevron 5W-30, aceite Mobil 1 5W-30 ó aceite sintético para motores 10W-30 en este compresor. Si usa otros tipos de aceite podría tener problemas para encenderlo.

5. Cambie el aceite cada 50 horas de uso.

MANTENIMIENTO DEL FILTRO DE ENTRADA DE AIRE

Remoción, inspección y cambio – (Figura 6)

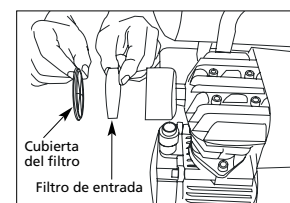


Figura 6 - Mantenimiento del filtro de entrada

El filtro de entrada deberá retirarse y verificarse en forma periódica. Un filtro de aire obstruido puede disminuir el rendimiento del compresor y provocar su recalentamiento.

1. Gire la cubierta del filtro hacia la izquierda y retírela.
2. Retire el filtro e inspecciónelo.
3. Si el filtro está sucio u obstruido, cámbielo.
4. Vuelva a instalar el filtro y la cubierta.

IMPORTANTE: Para prevenir que el exceso de pulverización atore el filtro, coloque la unidad tan lejos del área de pulverización como le permita la manguera.

SECCIÓN DEL PROTECTOR DE LA SOBRECARGA

PRECAUCION Este compresor está equipado con un protector manual contra sobrecarga que apagará el motor cuando éste se sobrecargado.

Si el protector apaga el motor con mucha frecuencia puede ser por lo siguiente:

1. Voltaje bajo.
2. El filtro de aire está atascado.
3. La ventilación es inadecuada.

PRECAUCION Si se activa el protector de sobrecarga, se debe dejar enfriar el motor durante 30 minutos antes de reiniciarlo manualmente.

ALMACENAMIENTO

1. Drene la humedad del tanque.
2. Cuando no esté en uso, guarde el compresor en un lugar fresco y seco.
3. Desconecte la manguera y cuélguela con los extremos abiertos hacia abajo, para permitir que drene toda la humedad.

Notes

Funcionamiento (Continuacion)

3. Enchufe el cable de corriente.
4. Gire el interruptor de encendido/apagado a la posición ON (encendido) y haga funcionar el compresor durante 30 minutos.
5. Coloque el interruptor de encendido/apagado en la posición OFF (apagado).
6. Desenchufe el cordón de corriente. Ahora el compresor está listo para ser usado.

ANTES DE CADA PROCEDIMIENTO DE ARRANQUE

FUNCIONAMIENTO

1. Gire la perilla del regulador totalmente hacia la izquierda.
2. Conecte la manguera de aire a la salida del regulador.
3. Coloque el interruptor de encendido/apagado en la posición OFF (apagado).
4. Enchufe el cable de corriente.
5. Gire el interruptor de encendido/apagado a la posición ON (encendido) y deje que el compresor funcione hasta que alcance la presión de apagado automático.
6. Conecte la boquilla para inflar neumáticos u otra herramienta al extremo de la manguera.
7. Gire la perilla del regulador hacia la derecha hasta la presión deseada para la herramienta que esté usando.

Ciclo de encendido/apagado del compresor

En la posición ON/AUTO (encendido/ automático), el compresor bombea aire dentro el tanque. Cuando se alcanza la presión de apagado ("corte" preestablecido), el compresor se apaga automáticamente.

Si se deja el compresor en la posición ON/AUTO (encendido/automático) y el aire sale del tanque al usar una boquilla para inflar neumáticos, una herramienta, etc., el compresor se reiniciará automáticamente a su presión de "corte" preestablecida. Cuando se use una herramienta en forma continua, el compresor cumplirá un ciclo de encendido y apagado en

HUMEDAD EN EL AIRE COMPRIMIDO

La humedad que se acumula en el aire comprimido se convierte en gotas a medida que sale del cabezal del compresor de aire. Cuando el nivel de humedad es muy alto o cuando el compresor ha estado en uso continuo por mucho tiempo, ésta se acumulará en el tanque. Al usar una pistola pulverizadora de pintura o una rociadora de arena, la humedad saldrá a través de la manguera mezclada con el material que esté rociando.

IMPORTANTE: Esta condensación ocasionará manchas en la superficie pintada, especialmente cuando esté pulverizando pinturas que no sean a base de agua. Al rociar arena ésta ocasionará que la arena se aglutine y obstruya la pistola, reduciendo su eficacia. Para eliminar este problema, instale un filtro en la línea de aire (MP3105), lo más cerca posible de la pistola.

forma automática.

En la posición OFF (apagado), el interruptor de presión no puede funcionar y el compresor no se pondrá en funcionamiento. Asegúrese de que el interruptor esté en la posición OFF cuando conecte o desconecte el cable de corriente del tomacorriente.

VALVULA DE SEGURIDAD ASME

▲ ADVERTENCIA *Nunca desconecte o trate de ajustar la válvula de seguridad ASME.*

- Revise la válvula de seguridad siguiendo los siguientes pasos:
1. Enchufe el compresor y hágalo funcionar hasta que se alcance la presión de corte (consulte Funcionamiento).
 2. Usando gafas de protección, tire del anillo de la válvula de seguridad para liberar la presión del tanque del compresor. Use su otra mano para desviar el aire que se mueve a gran velocidad y evitar que le dé en el rostro.
 3. Esta válvula de seguridad debería cerrarse automáticamente a 2,76 bar - 3,45 bar. Si la válvula de seguridad no deja salir aire cuando tira del anillo o si no se cierra automáticamente, DEBE ser reemplazada.

MANÓMETROS

El manómetro conectado al regulador indica la presión de aire que pasa por la manguera (y por cualquier

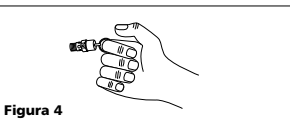


Figura 4

herramienta conectada al extremo de la manguera).

El manómetro conectado al interruptor de presión indica la presión de aire en el tanque.

Mantenimiento

▲ ADVERTENCIA *Desconecte el cordón eléctrico del tomacorrientes y libere toda la presión del sistema antes de tratar de instalar, darle servicio, cambiar de lugar o darle cualquier tipo de mantenimiento.*

Este compresor se debe chequear con frecuencia para ver si tiene algún tipo de problemas y le debe dar el siguiente mantenimiento antes de cada uso.

▲ ADVERTENCIA *Se debe reemplazar la válvula de seguridad si no se puede accionar o si tiene una fuga de aire después de liberar el anillo.*

1. Apague el compresor y libere la presión del sistema. (Para liberar la presión del sistema, tire del anillo de la válvula de seguridad ASME. Desvíe el aire cubriendo la válvula con una mano mientras tira del anillo con la otra mano.) Tire del anillo hasta vaciar el tanque.

▲ PRECAUCION *Cuando se abra la válvula de seguridad con presión en el tanque, se liberará una gran cantidad de aire que se mueve a gran velocidad. Use gafas de seguridad Z87.1 aprobadas por ANSI.*

2. Drene la humedad del tanque abriendo la válvula de drenaje

For Replacement Parts, Call 1-800-543-6400

Please provide following information:
 -Model number
 -Serial number (if any)
 -Part description and number as shown in parts list

Address parts correspondence to:
 Attn: Parts Dept.
 100 Production Drive
 Harrison, OH 45030

Ref. No.	Description	HL5402	Qty.
1	Shroud	▲	1
2	Air filter (includes element)	HL030100AV	1
3	Elbow	HL030200AV	1
4	Washer	■, △	8
5	Head bolt	■	4
6	Cylinder head	■	1
7	Head gasket	●	1
8	Valve plate	◆	2
9	Metal gasket	◆	1
10	Valve	◆	2
11	Valve plate gasket	●	1
12	Cylinder	★	1
13	Cylinder bolt	▼	2
14	Cylinder gasket	●	1
15	Wrist pin	★	1
16	Compression ring	★	2
17	Oil ring	★	1
18	Wrist pin retainer	★	2
19	Piston	★	1
20	Connecting rod	HL030300AV	1
21	Bolt	△	5
22	Washer	--	1
23	Eccentric	--	1
24	Capacitor	*	1
24a	Capacitor	*	1
25	Washer	▼, *	4
26	Nut	*	2
27	Crankcase cover	△	1
28	O-ring	□	1
29	Sight glass	□	1
30	O-ring	○	1
31	Drain plug	○	1
32	O-ring	◇	1
33	Breather	◇	1
34	Crankcase cover gasket	●	1
35	Crankcase	--	1
36	Washer	▲	4
37	Shroud screw	▲	4
38	Oil seal	--	1
39	Bearing	--	1
40	Rotor	--	1
41	Bearing	--	1
42	Stator	--	1
43	Rear end bell	--	1
44	Thermal overload	--	1
44a	Orientation ring	--	1
44b	Spacer	--	1
44c	Orientation ring	--	1
44d	Start switch	--	1
44e	Screw	--	2
44f	Circlip	--	1
45	Fan	▽	1

Ref. No.	Description	HL5402	Qty.
46	Circlip	▽	1
47	Plain washer	--	4
48	Lock washer	--	4
49	Motor bolt	--	4
50	Motor cord	--	1
51	Power cord	--	1
52	Pressure gauge	HL030400AV	2
53	Check valve	HL030500AV	1
54	Grip	HL030600AV	1
55	Ferrule	☆	2
56	Nut	☆	2
57	Exhaust tube	☆	1
58	Drain valve	HL030700AV	1
59	Tank	--	1
60	Bolt	--	2
61	Washer	▶	6
62	Bolt	▶	4
63	Base	--	1
64	Foot	▶	4
65	Plug	--	1
66	Pressure regulator	HL030800AV	1
67	Close nipple	--	1
68	Safety valve	HL030900AV	1
69	Pressure switch	HL031000AV	1
70	Ferrule	✱	2
71	Nut	✱	2
72	Unloader tube	✱	1

SERVICE KITS

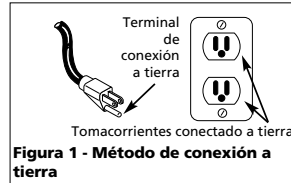
- ▲ Shroud kit (includes 1 and 4 each of 36 an 37) HL031100AV
- Cylinder head kit (includes 6 and 4 each of 4 and 5) HL031200AV
- Gasket kit (includes 7, 11, 14, 34) HL031300AV
- ◆ Valve plate kit (includes 9 and 2 each of 8 and 10) HL031400AV
- ▼ Cylinder kit (includes 2 each of 13 and 25) HL031500AV
- ★ Piston kit (includes 15, 17, 19 and 2 each of 16 and 18) HL031600AV
- * Capacitor kit (includes 24, 24a, and 2 each of 25 and 26) HL031700AV
- △ Crankcase cover kit (includes 4 each of 4 and 21) HL031800AV
- Sight glass kit (includes 28 and 29) HL031900AV
- Drain plug kit (includes 30 and 31) HL032000AV
- ◇ Breather kit (includes 32 and 33) HL032100AV
- ▽ Fan kit (includes 45 and 46) HL032200AV
- ☆ Exhaust tube kit (includes 57 and 2 each of 55 and 56) HL032300AV
- ▶ Foot kit (includes 61, 62, and 64) HL032400AV
- ✱ Unloader tube kit (includes 70, 71, and 72) HL032500AV

Limited Warranty

1. DURATION: From the date of purchase by the original purchaser: One Year.
 2. WHO GIVES THIS WARRANTY (WARRANTOR): Campbell Hausfeld / Scott Fetzer Company, 100 Production Drive, Harrison, Ohio, 45030, Telephone: (800) 543-6400
 3. WHO RECEIVES THIS WARRANTY (PURCHASER): The original purchaser (other than for purposes of resale) of the Campbell Hausfeld compressor.
 4. WHAT PRODUCTS ARE COVERED BY THIS WARRANTY: Any Campbell Hausfeld air compressor.
 5. WHAT IS COVERED UNDER THIS WARRANTY: Parts and Labor to remedy substantial defects due to material and workmanship during the first year of ownership with the exceptions noted below.
 6. WHAT IS NOT COVERED UNDER THIS WARRANTY:
 - A. Implied warranties, including those of merchantability and FITNESS FOR A PARTICULAR PURPOSE ARE LIMITED FROM THE DATE OF ORIGINAL PURCHASE AS STATED IN THE DURATION. If the compressor is used for commercial, industrial or rental purposes, the warranty will apply for ninety (90) days from the date of purchase. Some States do not allow limitations on how long an implied warranty lasts, so the above limitations may not apply to you.
 - B. ANY INCIDENTAL, INDIRECT, OR CONSEQUENTIAL LOSS, DAMAGE, OR EXPENSE THAT MAY RESULT FROM ANY DEFECT, FAILURE, OR MALFUNCTION OF THE CAMPBELL HAUSFELD PRODUCT. Some States do not allow the exclusion or limitations of incidental or consequential damages, so the above limitation or exclusion may not apply to you.
 - C. Any failure that results from an accident, purchaser's abuse, neglect or failure to operate products in accordance with instructions provided in the owner's manual(s) supplied with compressor.
 - D. Pre-delivery service, i.e. assembly, oil or lubricants, and adjustment.
 - E. Items or service that is normally required to maintain the product, i.e. lubricants, filters and gaskets, etc.
 - F. Gasoline engines and components are expressly excluded from coverage under this limited warranty. The Purchaser must comply with the warranty given by the engine manufacturer which is supplied with the product.
 7. RESPONSIBILITIES OF WARRANTOR UNDER THIS WARRANTY: Repair or replace, at Warrantor's option, compressor or component which is defective, has malfunctioned and/or failed to conform within duration of the warranty period.
 8. RESPONSIBILITIES OF PURCHASER UNDER THIS WARRANTY:
 - A. Provide dated proof of purchase and maintenance records.
 - B. Portable compressors or components must be delivered or shipped to the nearest Campbell Hausfeld Authorized Service Center. Freight costs, if any, must be borne by the purchaser.
 - C. Use reasonable care in the operation and maintenance of the products as described in the owner's manual(s).
 - D. Repairs requiring overtime, weekend rates, or anything beyond the standard manufacturer warranty repair labor reimbursement rate.
 - E. Time required for any security checks, safety training, or similar for service personnel to gain access to facility.
 - F. Location of unit must have adequate clearance for service personnel to perform repairs and easily accessible.
 9. WHEN WARRANTOR WILL PERFORM REPAIR OR REPLACEMENT UNDER THIS WARRANTY: Repair or replacement will be scheduled and serviced according to the normal work flow at the servicing location, and depending on the availability of replacement parts.
- This Limited Warranty applies in the U.S., Canada and Mexico only and gives you specific legal rights. You may also have other rights which vary from State to State or country to country.

Instalación (Continuación)

producto tiene un cordón con un alambre y terminal de conexión a tierra. Debe conectarlo a un tomacorrientes que esté instalado adecuadamente según los códigos y ordenanzas locales.



PRECAUCION Si no conecta los cables adecuadamente podría haber cortocircuitos, incendios, sobrecalentamiento, etc.

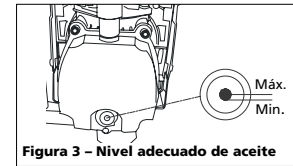
LUBRICACION

PRECAUCION UNIDAD VIENE DE FABRICA SIN ACEITE! Siga las instrucciones de lubricación antes de utilizar el compresor.

Use el aceite que se envía con el compresor. **No utilice aceite automotriz común como por ejemplo 10W-30.** Los aditivos existentes en el aceite de motor común pueden causar la acumulación de depósitos y reducir la vida útil de la bomba. Para que la bomba tenga una

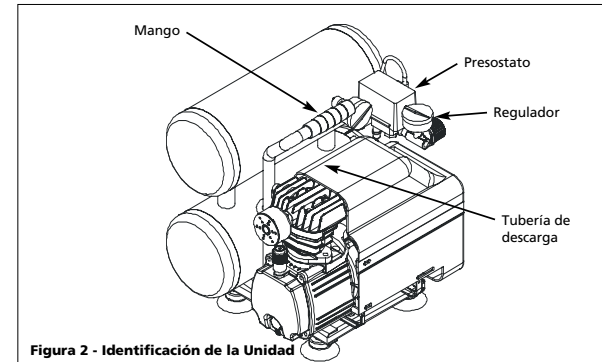
máxima vida útil, drene y cambie el aceite después de la primera hora de funcionamiento.

La bomba del compresor necesita aproximadamente 175 mL (6 oz) de aceite. El visor de vidrio, ubicado en la caja del cigüeñal de la bomba, sirve para determinar el nivel apropiado de aceite. Llene la caja del cigüeñal con aceite hasta que el nivel quede en la mitad del visor de vidrio. Evite llenar en exceso, agregando aceite en forma gradual y verificando el nivel de aceite varias veces por medio del visor de vidrio. Agregue suficiente aceite para que llegue al nivel marcado con "máx" en el visor de vidrio. El nivel adecuado de aceite está ilustrado en la Figura 3.



Funcionamiento

Presostato - Automático - En la posición **AUTO** el compresor se apaga automáticamente cuando la presión del tanque alcanza el nivel máximo fijado en la fábrica. En la posición **OFF**, el compresor no funcionará. El presostato debe colocarse en **OFF** para conectar o



desconectar el cordón eléctrico del tomacorrientes o para cambiar la herramienta neumática.

- **Regulador** - El regulador controla la cantidad de presión de aire expulsada por la manguera.
- **Válvula de seguridad ASME** - Esta válvula se encuentra en la parte inferior del interruptor de presión. Automáticamente liberará el aire si la presión del tanque excede el valor máximo fijado de fábrica.
- **Tubería de descarga** - Esta tubería transporta el aire comprimido del cabezal a la válvula de chequeo. Esta tubería se calienta excesivamente durante el uso. Para evitar quemaduras graves, nunca la toque.
- **Válvula de chequeo** - Esta válvula está ubicada en el extremo de la tubería de descarga donde se encuentra con el tanque. Esta es una válvula de una vía que el aire entre al tanque y evita que éste se regrese al cabezal.
- **Mango** - Diseñado para mover el compresor.

ADVERTENCIA Nunca use el mango de las unidades con ruedas para levantar completamente la unidad.

- **Llave de drenaje** - Esta válvula está ubicada debajo del tanque. Úsela para drenar la humedad del tanque diaria-mente, para evitar que el tanque se oxide.

Reduzca la presión del tanque a menos de 0,69 bar, después drene la humedad del tanque diariamente para evitar que se oxide. Para drenar los tanques abra la llave ubicada debajo del tanque.

ANTES DE ARRANCARLO POR PRIMERA VEZ PROCEDIMIENTO DE ABLANDE

Complete este procedimiento antes de usar el compresor por primera vez. Una vez completado, no es necesario repetirlo.

1. Gire la perilla del regulador totalmente hacia la derecha para abrir el flujo de aire.
2. Coloque el interruptor de encendido/apagado en la posición **OFF** (apagado).

Cordones de extensión para los modelos de 120V/15 Amp

Longitud del cordón (m)	7,62	15,24	30,48	45,72	60,96	76,2	91,44	121,92	152,4
Calibre del cordón	16	12	10	8	6	6	4	4	2


Compresor lubricado con aceite

Informaciones Generales de Seguridad (Continuación)

- Siga todos los códigos de seguridad laboral y electricidad establecidos en su país, por ejemplo los de la NEC y OSHA en EUA.
 - Este compresor sólo debe ser usado por personas que estén bien familiarizadas con las reglas de seguridad y de manejo.
 - Mantenga a los visitantes alejados y NUNCA permita la presencia de niños en el área de trabajo.
 - Siempre use anteojos de seguridad y protéjase los oídos para operar el cabezal o el compresor.
 - No se encaramo sobre el cabezal, ni lo use para sostenerse.
 - Antes de cada uso, inspeccione el sistema de aire comprimido y los componentes eléctricos, para ver si están dañados, deteriorados, desgastados o tienen fugas. Repare o reemplace las piezas dañadas antes de usar el equipo.
 - Chequeé todas las conexiones frecuentemente para cerciorarse de que estén bien apretadas.
- ADVERTENCIA**  Los motores, equipos eléctricos y controles pueden ocasionar arcos eléctricos que encenderían gases o vapores inflamables. Nunca opere o repare el compresor cerca de gases o vapores inflamables. Nunca almacene líquidos o gases inflamables cerca del compresor.
- PRECAUCION**  Las piezas del compresor podrían estar calientes, inclusive cuando la unidad esté apagada.
 - Mantenga los dedos alejados del compresor cuando esté funcionando; las piezas en movimiento o calientes, le ocasionarían heridas y/o quemaduras.
 - Si el equipo comienza a vibrar excesivamente, APAGUE el motor y chequeélo inmediatamente para determinar la razón. Generalmente, la vibración excesiva se debe a una falla.

- Para reducir el peligro de incendio, mantenga el exterior del motor libre de aceite, solventes o exceso de grasa.

ADVERTENCIA *Nunca debe desconectar o tratar de ajustar las válvulas de seguridad. Igualmente, debe evitar que se le acumule pintura u otros materiales.*

PELIGRO  ¡Nunca trate de reparar o modificar el tanque! Si lo suelda, taladra o modifica de cualquier otra manera, el tanque se debilitará y se podría dañar, romperse o explotar. Siempre reemplace los tanques desgastados, rotos o dañados.

AVISO *Drene el tanque diariamente.*

- Los tanques se oxidan debido a la acumulación de humedad y esto debilita el tanque. Cerciórese de drenar el tanque con regularidad e inspecciónelo periódicamente para ver si está en malas condiciones, por ejemplo si está oxidado.
- La circulación rápida de aire podría levantar polvo y desperdicios dañinos. Siempre libere el aire lentamente para drenar el tanque e liberar la presión del sistema.

PRECAUCIONES PARA ROCIAR

ADVERTENCIA  Nunca rocíe materiales inflamables cerca de llamas al descubierto o fuentes de ignición incluyendo el compresor.

- No fume mientras esté rociando pintura, insecticidas u otras sustancias inflamables.
- Use una máscara/respirador cuando vaya a rociar y siempre rocíe en un área bien ventilada para evitar peligros de salud e incendios.
- Nunca rocíe la pintura y otros materiales, directamente hacia el compresor. Coloque el compresor lo más lejos posible del área de trabajo, para minimizar la acumulación de residuos en el compresor.

- Al rociar o limpiar con solventes o químicos tóxicos, siga las instrucciones del fabricante de dichos químicos.

Instalación

COLOCACIÓN

Es extremadamente importante instalar el compresor en un área limpia, seca y bien ventilada. El compresor debe estar ubicado sobre una superficie firme y nivelada donde la temperatura del aire circundante no sobrepase los 38°C (100°F).

Se requiere un espacio mínimo de 45,7 cm (18 pulgadas) entre el compresor y la pared, ya que los objetos podrían obstruir el paso de aire.

PRECAUCION *No coloque la entrada de aire del compresor cerca de áreas con vapor, vapores de pintura, chorros de arena o cualquier otra fuente de contaminación. Los desperdicios dañarán el motor.*

INSTALACIÓN ELÉCTRICA

ADVERTENCIA *Todas las conexiones eléctricas y el alambrado deberán ser llevados a cabo por un electricista profesional. La instalación debe estar conforme con los códigos locales y los códigos nacionales sobre electricidad.*

ALAMBRADO

- Los códigos eléctricos varían de un área a otra. Sin embargo, el alambrado, enchufe y protectores se deben seleccionar según las especificaciones de amperaje y voltaje indicados en la placa del motor y cumplir con las especificaciones mínimas.
- Use fusibles de acción retardada tipo T o un cortacircuito.
- Este producto está diseñado para circuitos nominales de 120 voltios y tiene un enchufe para conexión a tierra similar al de la Figura 1. Cerciórese de conectarlo a un tomacorrientes cuya configuración sea similar a la del enchufe. Este producto se debe conectar a tierra. En caso de que ocurra un cortocircuito, esto evitaría el riesgo de choque eléctrico al ofrecerle un cable de desvío a la corriente eléctrica. Este

Voir la Garantie à la page 20 pour de l'information importante sur l'utilisation commerciale de ce produit.

Instructions d'Utilisation

HL5402

Lire et conserver ces instructions. Lire attentivement avant de monter, installer, utiliser ou procéder à l'entretien du produit décrit. Se protéger ainsi que les autres en observant toutes les instructions de sécurité, sinon, il y a risque de blessure et/ou dommages matériels ! Conserver ces instructions comme référence future.

Compresor Graissé à l'Huile

Description

Ce compresor graissé à l'huile est conçu pour les bricoleurs avec une variété de travaux domestiques et d'automobile. Ces compresseurs actionnent les pistolets vaporisateurs, les clés à chocs, et autres outils. L'air comprimé produit par ce modèle va contenir de l'humidité. Installer un filtre ou un sècheur d'air si votre application requiert de l'air sec.

Directives de Sécurité

Ce manuel contient de l'information très importante à connaître et à comprendre. Cette information est fournie pour la SÉCURITÉ et pour ÉVITER LES PROBLÈMES D'ÉQUIPEMENT. Pour aider à reconnaître cette information, observer les symboles suivants.

DANGER Danger indique une situation dangereuse imminente qui mènera à la mort ou à des blessures graves si elle n'est pas évitée.

AVERTISSEMENT Avertissement indique une situation potentiellement dangereuse qui, si elle n'est pas évitée, pourrait mener à la mort ou à de graves blessures.

ATTENTION Attention indique une situation potentiellement dangereuse qui, si elle n'est pas évitée, pourrait mener à des blessures mineures ou modérées.

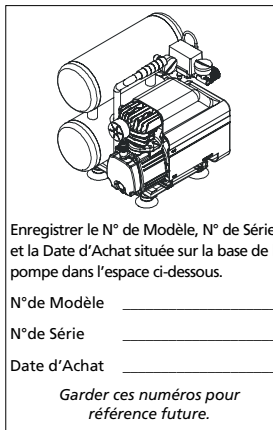
AVIS Avis indique de l'information importante qui pourrait endommager l'équipement si elle n'est pas respectée.

Déballage

Après avoir débarrassé ce produit, l'inspecter attentivement pour tout signe de dommages en transit. Resserrer tout raccord, boulon, etc., avant de mettre ce produit en service. En cas de questions, dommage ou de pièces manquantes,



NE PAS RENVOYER LE PRODUIT AU MARCHAND !



composer le 1-800-543-8622 pour demander conseil ou appeler un Centre de Service Autorisé.

Une liste de centres de services est incluse. Avoir en main le numéro de série, numéro de modèle et liste de pièces (avec les pièces manquantes encerclées) avant d'appeler.

Généralités sur la Sécurité

AVERTISSEMENT *Ne pas utiliser un appareil qui a été endommagé pendant le transport, la manipulation ou l'utilisation. Le dommage peut mener à une explosion et peut causer des blessures ou dommages matériels.*

Puisque le compresor d'air et les autres composants (filtres, lubrificateurs, tuyaux, etc.) utilisés forment un système

DANGER

Avertissement d'Air Respirable

Ce compresor/pompe n'est pas équipé pour et ne devrait pas être utilisé « tel quel » pour fournir de l'air respirable. Pour les applications d'air pour la consommation humaine, il est nécessaire d'équiper le compresor d'air/pompe avec de l'équipement de sécurité en canalisation et d'alarme. Cet équipement additionnel est nécessaire pour filtrer et purifier l'air afin d'atteindre les spécifications minimales pour la respiration Grade D décrite dans le Compressed Gas Association Commodity Specification G 7.1 - 1966, OSHA 29 CFR 1910. 134, et/ou Canadian Standards Associations (CSA).

DÉNÉGATION DES GARANTIES Si le compresor est utilisé pour les applications d'air respirable et l'équipement de sécurité en canalisation et d'alarme n'est pas utilisé simultanément, les garanties en existence seront annulées, et le constructeur dénie toute responsabilité pour n'importe quelle perte, blessure ou dommage.

de pompage haute pression, il faut respecter les précautions suivantes en tout temps :

- Lire attentivement tous les manuels inclus avec ce produit. Se familiariser avec ce produit, ses commandes et son utilisation correcte.
- Suivre tous les codes de sécurité locaux ainsi que les National Electrical Codes (NEC) et l'Occupational Safety and Health Act (OSHA) des E-U.
- Seules les personnes bien familiarisées avec ces règles d'utilisation doivent



RAPPEL : Gardez votre preuve datée d'achat à fin de la garantie ! Joignez-la à ce manuel ou classez-la dans un dossier pour plus de sécurité.

Compresseur Graissé par l'Huile

Généralités sur la Sécurité (Suite)

- être autorisées à se servir du compresseur.
- Garder les visiteurs à distance et NE JAMAIS laisser les enfants dans l'endroit de travail.
 - Utiliser des lunettes de sécurité et une protection auditive pendant l'utilisation de la pompe ou de l'appareil.
 - Ne pas se tenir debout ni utiliser la pompe ou l'appareil comme une prise.
 - Inspecter le système d'air comprimé et pièces détachées électriques pour toute indication de dommage, détérioration, faiblesse ou fuites avant chaque utilisation. Réparer ou remplacer toutes pièces défectueuses avant l'utilisation.
 - Inspecter le niveau de serrage de toutes les attaches régulièrement.

⚠ AVERTISSEMENT

Les moteurs, l'équipement électrique et les commandes peuvent provoquer des arcs électriques qui enflammeront les vapeurs ou les gaz inflammables. Ne jamais les faire fonctionner ou réparer dans ou près de gaz ou vapeur inflammable. Ne jamais ranger de liquides ou gaz inflammables près du compresseur.



⚠ ATTENTION

Les pièces du compresseur peuvent être chaudes, même si l'appareil est hors circuit.



- Garder les doigts loin du compresseur; les pièces mobiles et chaudes peuvent causer des blessures et/ou des brûlures.
- Si l'équipement vibre anormalement, ARRÊTER le moteur et l'inspecter immédiatement. La vibration est généralement une indication de problème.
- Pour réduire le risque d'incendie, garder l'extérieur du moteur libre d'huile, de solvant ou de graisse excessive.

⚠ AVERTISSEMENT

Ne jamais enlever ni essayer d'ajuster la soupape de sûreté. Garder la soupape de sûreté libre de peinture et d'autres accumulations.

⚠ DANGER

Ne jamais essayer de réparer ou de modifier un réservoir! Le soudage, perçage ou autres modifications peuvent affaiblir le réservoir et peuvent résulter en dommage de rupture ou d'explosion. Toujours remplacer un réservoir usé, fendu ou endommagé.



AVIS

Purger le réservoir quotidiennement.

- L'accumulation d'humidité cause la rouille qui peut affaiblir le réservoir. Purger le réservoir quotidiennement et l'inspecter périodiquement pour de conditions dangereuses comme la rouille et la corrosion.
- L'air mouvant peut agiter la poussière et le débris, ce qui peut être dangereux. Lâcher l'air lentement en purgeant l'humidité ou pendant la dépressurisation du système du compresseur.

PRÉCAUTIONS DE PULVÉRISATION

⚠ AVERTISSEMENT

Ne pas pulvériser les matériaux inflammables dans un endroit de flamme ouverte ni près d'une source d'ignition y compris le compresseur.



- Ne pas fumer pendant la pulvérisation de la peinture, d'insecticides ou autres matières inflammables.
- Utiliser un masque/ respirateur pendant la pulvérisation et pulvériser dans un endroit bien ventilé pour éviter le risque de blessures et d'incendie.
- Ne pas diriger la peinture ou autre matériel pulvérisé vers le compresseur. Situer le compresseur aussi loin que possible de l'endroit de pulvérisation pour réduire l'accumulation de surpulvérisation sur le compresseur.
- Suivre les instructions du fabricant de produits chimiques pendant la pulvérisation ou le nettoyage avec des solvants ou produits chimiques toxiques.



Installation

ENDROIT

Il est extrêmement important d'installer le compresseur dans un endroit propre, sec et bien ventilé. Le compresseur doit être placé sur une surface solide et à niveau dont la température ambiante ne dépasse pas 38°C (100°F).

Un espace libre minimum de 45,7 centimètres entre le compresseur et un mur est exigé pour éviter le stoppage d'air par des objets.

⚠ ATTENTION

Ne pas situer la prise d'air du compresseur près de la vapeur, un jet pulvérisé de peinture, endroits de décapage au sable ou autre sources de contamination. Le débris endommagera le moteur.

INSTALLATION ÉLECTRIQUE

⚠ AVERTISSEMENT Seul un électricien qualifié doit effectuer l'installation électrique et raccords électriques. Respecter toutes les codes locaux et nationaux de l'électricité.

CÂBLAGE

- Les codes de câblage électrique locaux diffèrent d'un endroit à l'autre. Le câblage source, la fiche et le protecteur doivent être d'une valeur nominale d'au moins l'ampérage et la tension indiqués sur la plaque signalétique du moteur et doivent répondre à tous les codes électriques pour ce minimum.
- Utiliser un fusible à action retardée ou un disjoncteur.
- Ce produit est conçu pour l'utilisation d'un circuit de 120 volts et a une fiche de mise à la terre comme celle indiquée sur la Figure 1. S'assurer que l'appareil est branché à une prise de courant qui a la même configuration que la fiche. Ce produit doit être mis à la terre. Dans l'événement d'un court-circuit, la mise à la terre diminue le risque de secousse électrique en fournissant un fil d'échappement pour le courant électrique. Ce produit est équipé avec un cordon qui a un fil de terre avec une fiche de terre. La fiche doit être branchée dans une prise de courant qui a été installée et mise à la terre correctement en respectant tous les codes et règlements locaux.

Ver la Garantía en página 30 para información importante sobre el uso comercial de este producto.

Instrucciones para la Operación

HL5402

Sírvase leer y guardar estas instrucciones. Lea con cuidado antes de tratar de armar, instalar, manejar o darle servicio al producto descrito en este manual. Protéjase Ud. y a los demás observando todas las reglas de seguridad. El no seguir las instrucciones podría resultar en heridas y/o daños a su propiedad. Guarde este manual como referencia.

Compresor lubricado con aceite

Descripción

Este compresor lubricado con aceite ha sido diseñado para personas con habilidades manuales para llevar a cabo una variedad de proyectos relacionados con el hogar o el vehículo. Estos compresores alimentan pistolas de rociado, herramientas de impacto y otras herramientas. El aire comprimido producido por esta unidad contiene humedad. Instale un filtro para agua o un secador de aire si la aplicación requiere de aire seco.

Medidas de Seguridad

Este manual contiene información que es muy importante que sepa y comprenda. Esta información se la suministramos como medida de SEGURIDAD y para EVITAR PROBLEMAS CON EL EQUIPO. Debe reconocer los siguientes símbolos.

⚠ PELIGRO

Esto le indica que hay una situación inmediata que LE OCASIONARIA la muerte o heridas de gravedad.

⚠ ADVERTENCIA

Esto le indica que hay una situación que PODRIA ocasionarle la muerte o heridas de gravedad.

⚠ PRECAUCION

Esto le indica que hay una situación que PODRIA ocasionarle heridas no muy graves.

AVISO

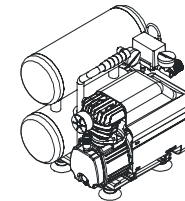
Esto le indica una información importante, que de no seguirla, le podría ocasionar daños al equipo.

Para Desempaçar

Cuando desempaque la unidad, inspecciónela cuidadosamente para verificar si se han producido daños durante el transporte. Asegúrese de apretar todos los accesorios, pernos, etc. que estén sueltos antes de poner la unidad en



¡NO DEVUELVA EL PRODUCTO AL MINORISTA!



Registre en el espacio a continuación el No. del Modelo, el Número de Serie y la Fecha de Compra ubicados en la base debajo de la bomb.

No. del Modelo _____

No. de Serie _____

Fecha de Compra _____

Guarde estos números para referencia en el futuro.

servicio. En el caso de que haya daño o partes que faltan, haga el favor de llamar al 1-800-543-8622 para obtener ayuda o llame al Centro De Servicio Autorizado más cercano.

Se incluye una lista de los lugares en donde se encuentran los centros de servicio. Tenga a mano el número de serie, el número del modelo y la lista de partes (con las partes que faltan marcadas con un círculo) antes de llamar.

⚠ PELIGRO

Advertencia sobre el aire respirable

Este comestor/cabezal no viene listo de fábrica para suministrarle aire respirable. Antes de utilizarlos con este fin, deberá instalarle un sistema de seguridad y alarma incorporado a la línea. Este sistema adicional es necesario para filtrar y purificar el aire adecuadamente, para cumplir con las especificaciones mínimas sobre aire respirable de Grado D descritas en la Especificación de Productos G 7.1 - 1966 de la Asociación de Aire Comprimido. Igualmente, deberá cumplir los requisitos establecidos por el Artículo 29 CFR 1910. 134 de la Organización norteamericana OSHA y/o la Canadian Standards Associations (CSA).

RENUNCIA A LAS GARANTÍAS Si el compresor se utiliza para producir aire respirable SIN haberle instalado el sistema de seguridad y alarma, todas las garantías se anularán y la compañía no asumirá NINGUNA responsabilidad por pérdidas, heridas personales o daños.

Informaciones Generales de Seguridad

⚠ ADVERTENCIA

No debe utilizar la unidad si se ha dañado durante el envío, manejo o uso. Los daños podrían ocasionar una explosión y ocasionarle heridas o daños a su propiedad.

Como el compresor de aire y demás componentes (filtros, lubricantes, mangueras, etc.) que se utilizan conforman un sistema de bombeo de alta presión, deben seguirse en todo momento las siguientes precauciones de seguridad:

- Lea con cuidado todos los manuales incluidos con este producto. Familiarícese con los controles y el uso adecuado del equipo.



RECORDATORIO: ¡Guarde su comprobante de compra con fecha para fines de la garantía! Adjúntela a este manual o archívela en lugar seguro.

Garantie Limitée

1. DURÉE: À partir de la date d'achat par l'acheteur original : Un An.
 2. GARANTIE ACCORDÉE PAR (GARANT) : Campbell Hausfeld/Scott Fetzer Company, 100 Production Drive, Harrison, Ohio, 45303, Téléphone: (800) 543-6400.
 3. BÉNÉFICIAIRE DE CETTE GARANTIE (ACHÉTEUR) : L'acheteur original (sauf en cas de revente) du produit Campbell Hausfeld.
 4. PRODUITS COUVERTS PAR CETTE GARANTIE : N'importe quel compresseur d'air Campbell Hausfeld.
 5. COUVERTURE DE LA PRÉSENTE GARANTIE : Pièces et Main d'œuvre pour remédier à de défauts importants causés par matériau et main d'œuvre pendant la première année de possession avec les exceptions indiquées ci-dessous.
 6. LA PRÉSENTE GARANTIE NE COUVRE PAS :
 - A. Les garanties implicites, y compris celles de commercialisation et D'ADAPTATION À UNE FONCTION PARTICULIÈRE SONT LIMITÉES À PARTIR DE LA DATE D'ACHAT INITIALE TELLE QU'INDIQUÉE DANS LA SECTION DURÉE. Si le compresseur d'air est utilisé pour une fonction commerciale, industrielle ou pour la location, la durée de la garantie sera quatre-vingt-dix (90) jours de la date d'achat. Certaines Provinces (États) n'autorisent pas de limitations de durée pour les garanties implicites, donc les limitations précédentes peuvent donc ne pas s'appliquer.
 - B. TOUT DOMMAGE, PÉRIE OU DÉPENSE FORTUIT OU INDIRECT POUVANT RÉSULTER DE TOUT DÉFAUT, PANNE OU MAUVAIS FONCTIONNEMENT DU PRODUIT CAMPBELL HAUSFELD. Quelques Provinces (États) n'autorisent pas l'exclusion ni la limitation des dommages fortuits ou indirects. La limitation ou l'exclusion précédente peut donc ne pas s'appliquer.
 - C. Toute panne résultant d'un accident, d'une utilisation abusive, de la négligence ou d'une utilisation ne respectant pas les instructions données dans le(s) manuel(s) accompagnant le produit.
 - D. Service avant livraison; le montage, l'huile ou la graisse et les réglages par exemple.
 - E. Articles ou services qui sont exigés pour l'entretien normal du produit; graisses, filtres et joints d'étanchéité par exemple.
 - F. Les moteurs à essence et les pièces détachées sont expressément exclus de cette garantie limitée. L'acheteur doit observer la garantie du fabricant de moteur qui est fournie avec le produit.
 - G. Articles supplémentaires qui ne sont pas couverts sous cette garantie :
 1. Articles exclus relatifs à Tous les Compresseurs
 - a. Toutes pièces détachées endommagées pendant l'expédition, n'importe quelle panne causée par un montage ou fonctionnement du modèle sous des conditions qui ne se conforment pas aux directives de montage et de fonctionnement ou dommage causé par le contact avec les outils ou les aléteurs.
 - b. La défaillance de la pompe ou de la soupape causée par la pluie, l'humidité excessive, un environnement corrosif ou autres polluants.
 - c. Les défauts de forme qui n'ont pas d'effet sur le fonctionnement du compresseur.
 - d. Les réservoirs rouillés, y compris mais sans s'y limiter à la rouille causée par la vidange incorrecte ou par un environnement corrosif.
 - e. Les composants suivants sont considérés comme des articles sujets à l'usure normale et ne sont pas couverts après le premier an de possession. Moteur électrique, soupape de retenue, interrupteur de pression, régulateur, manomètres, tuyaux, tubes, raccords, vis, écrous, articles de quincaillerie, courroies, poulies, volant, filtre d'air et boîtier, joints d'étanchéité, fuites d'air et d'huile, consommation ou usage d'huile, anneaux de piston.
 - f. Robinets de vidange.
 - g. Dommage dû à la tension ou installation de fils incorrecte.
 - h. Autres articles non indiqués mais considérés pièces d'usure générale.
 - i. Manostats, régulateurs d'air et soupapes de sûreté qui ont été modifiés d'après les réglages de l'usine.
 - j. Dommage causé par l'entretien insuffisant du filtre.
 - k. Moteurs à induction utilisant l'électricité produite par un générateur.
 2. Compresseurs Graissés
 - a. Usure de la pompe ou dommage aux soupapes causé par l'utilisation d'huile non-spécifiée.
 - b. Usure de la pompe ou dommage aux soupapes causé par toute contamination d'huile ou par le manque de suivre les directives d'entretien d'huile.
 - c. Usure ou dommage de la pompe causé par le manque de suivre les directives d'entretien d'huile, fonctionnement avec le niveau d'huile au dessous du bon niveau ou fonctionnement sans huile.
 7. RESPONSABILITÉS DU GARANT AUX TERMES DE CETTE GARANTIE : Réparation ou remplacement, au choix du Garant, d'un compresseur ou d'une pièce détachée qui s'est révélé défectueux ou qui n'est pas conforme pendant la durée de validité de la garantie.
 8. RESPONSABILITÉS DE L'ACHÉTEUR AUX TERMES DE CETTE GARANTIE :
 - A. Fournir une preuve d'achat datée et un état d'entretien.
 - B. La livraison ou expédition des compresseurs portatifs ou des pièces détachées au Centre De Service Autorisé Campbell Hausfeld le plus près. Frais de transport, si applicables, sont la responsabilité de l'acheteur.
 - C. Utilisation et entretien du produit avec un soin raisonnable, ainsi que le décri(vent)t le(s) manuel(s) d'utilisation.
 - D. Réparations qui exigent de temps additionnel, taux de charge de fin de semaine, ou tout problème au-delà du taux normal de remboursement par main d'œuvre de réparations sous garantie du fabricant.
 - E. Temps nécessaire pour tout contrôle de sécurité, entraînement de sécurité, ou situation semblable parce que le personnel de service puisse obtenir l'accès à l'installation.
 - F. L'emplacement de l'unité doit être facilement accessible et avoir l'espace suffisant parce que le personnel de service puisse effectuer les réparations.
 9. RÉPARATION OU REMPLACEMENT EFFECTUÉ PAR LE GARANT AUX TERMES DE LA PRÉSENTE GARANTIE : La réparation ou le remplacement sera prévu et exécuté en fonction de la charge de travail dans le centre de service et dépendra de la disponibilité des pièces de rechange.
- Cette Garantie Limitée s'applique aux É.-U., au Canada et au Mexique seulement et vous donne des droits juridiques précis. L'acheteur peut également jouir d'autres droits qui varient d'une Province, d'un État ou d'un Pays à l'autre.

Installation (Suite)

⚠ ATTENTION

Un câblage inadéquat cause la surchauffe, les court-circuit et les dommages d'incendie.

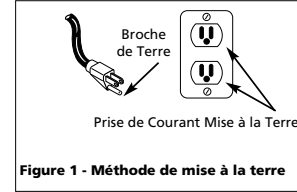


Figure 1 - Méthode de mise à la terre

GRAISSAGE

⚠ ATTENTION

CE MODELE EST LIVRE SANS HUILE ! Suivre les instructions de graissage avant de faire fonctionner le compresseur.

Utiliser l'huile expédiée avec le compresseur. **Ne pas utiliser d'huile régulière pour les automobiles telle que la 10 W-30.** Les additifs de l'huile régulière à moteur peuvent provoquer des dépôts dans la soupape et réduire la durée de vie utile de la pompe. Pour une durée de vie de pompe maximale, drainer et remplacer l'huile après la première heure d'utilisation.

La pompe du compresseur contient environ 175 mL (6 on) d'huile. Le regard d'huile, qui se trouve sur le carter de la pompe, sert à déterminer le bon niveau d'huile. Remplir le carter avec l'huile jusqu'à ce que le niveau se trouve au centre du regard d'huile. Éviter de remplir excessivement en ajoutant l'huile graduellement et en vérifiant plusieurs fois le niveau d'huile dans le regard. Ajouter la quantité d'huile suffisante pour atteindre le niveau « max » sur le regard d'huile. La Figure 3 indique le bon niveau d'huile.

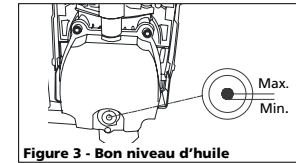


Figure 3 - Bon niveau d'huile

Fonctionnement

• **Manostat** - Interrupteur Auto/Off. Dans la position **AUTO**, le compresseur se coupe automatiquement quand la pression du réservoir arrive à la pression maximale réglée d'avance. Dans la position **OFF**, le compresseur ne fonctionnera pas. Cet interrupteur devrait être dans la position **OFF** pendant le branchement ou le

débranchement du cordon d'alimentation de la prise de courant ou pendant le changement d'outils pneumatiques.

- **Régulateur** - Le régulateur sert à régler la pression d'air à la sortie du tuyau.
- **Soupape de Sûreté ASME** - Cette soupape se trouve au bas du manostat. Elle laisse échapper l'air si la pression du réservoir dépasse la pression maximum réglée d'avance.
- **Tuyau de décharge** - Ce tuyau transporte l'air comprimé de la pompe au clapet. Ce tuyau devient très chaud pendant l'utilisation. Pour éviter le risque des brûlures sévères, ne jamais toucher le tuyau de décharge.
- **Clapet** - Cette soupape se trouve à l'extrémité du tube d'échappement où ce dernier arrive au réservoir. C'est une soupape à sens unique qui permet l'arrivée d'air dans le réservoir mais ne permet pas que l'air se recule dans la pompe.
- **Poignée** - Conçue pour le déplacement du compresseur. Ne jamais utiliser la poignée sur les modèles avec roues pour soulever l'appareil.

⚠ AVERTISSEMENT *Ne jamais utiliser la poignée sur les modèles avec roues pour soulever le modèle.*

- **Robinet de Purge** - Cette soupape est située sur la base du réservoir. Utiliser cette soupape pour purger l'humidité du réservoir quotidiennement afin de réduire le risque de corrosion.

Baisser la pression du réservoir sous 69 kPa, et ensuite purger l'humidité du réservoir quotidiennement afin d'éviter la corrosion. Purger l'humidité du/des réservoir(s) en ouvrant le robinet de purge situé sur la base du réservoir.

AVANT LE PREMIER DÉMARRAGE PROCÉDURE DE RODAGE

Cette procédure doit être terminée avant d'utiliser le compresseur pour la première fois. Ensuite, il n'est pas nécessaire de la refaire.

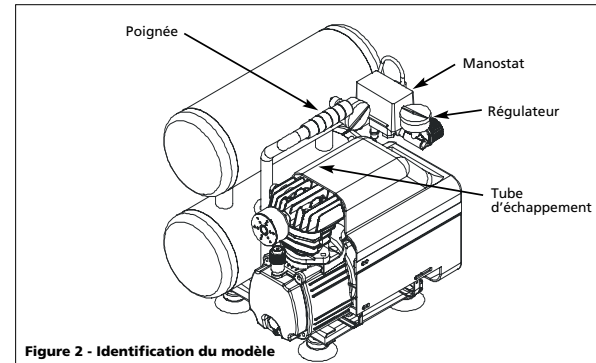


Figure 2 - Identification du modèle

Cordons Prolongateurs pour Modèle de 120V/15 Ampères									
Longueur du Cordon (m)	7,62	15,24	30,48	45,72	60,96	76,2	91,44	121,92	152,4
Calibre du Cordon	16	12	10	8	6	6	4	4	2

Fonctionnement (Suite)

1. Tourner le bouton du régulateur complètement vers la droite, dans le sens des aiguilles d'une montre pour ouvrir la circulation d'air.
2. Mettre l'interrupteur marche/arrêt à la position « OFF » (ARRÊT).
3. Brancher le cordon d'alimentation.
4. Mettre l'interrupteur marche/arrêt à la position « ON » (marche) et faire fonctionner le compresseur pendant 30 minutes.
5. Mettre l'interrupteur marche/arrêt à la position « OFF » (ARRÊT).
6. Débrancher le cordon d'alimentation. Le compresseur est maintenant prêt à être utilisé.

AVANT CHAQUE DEMARRAGE PROCEDURE DE FONCTIONNEMENT

1. Tourner le bouton du régulateur complètement vers la gauche, dans le sens contraire des aiguilles d'une montre.
2. Connecter le tuyau d'air à la sortie du régulateur.
3. Mettre l'interrupteur marche/arrêt à la position « OFF » (ARRÊT).
4. Brancher le cordon d'alimentation.
5. Mettre l'interrupteur marche/arrêt à la position « ON » (marche) et faire fonctionner le compresseur jusqu'à ce qu'il atteigne la pression d'arrêt automatique.
6. Fixer le mandrin de pneu ou l'outil à l'extrémité du tuyau.
7. Tourner le bouton du régulateur complètement vers la droite, dans le sens des aiguilles d'une montre jusqu'à la pression voulue pour l'outil utilisé.

Cycle marche/arrêt du compresseur

En position « ON/AUTO » (marche/auto), le compresseur pompe de l'air dans le réservoir. Lorsqu'il atteint une pression d'arrêt (une "coupure" pré-établie), le compresseur s'arrête automatiquement.

Si le compresseur reste en position ON/AUTO (marche/auto) et si l'air sort complètement du réservoir en utilisant un mandrin de pneu, un outil, etc., alors le compresseur redémarrera

L'HUMIDITÉ DANS L'AIR COMPRIMÉ

L'humidité dans l'air comprimé forme des gouttelettes en arrivant de la pompe du compresseur. Si l'humidité est élevée ou si le compresseur est utilisé continuellement, cette humidité s'accumulera dans le réservoir. En utilisant un pistolet à peinture ou un pistolet pour décapage au sable, cette eau sera transportée hors du réservoir par moyen du tuyau en forme de gouttelettes mélangées avec le matériel utilisé.

IMPORTANT : Cette condensation peut avoir comme résultat des taches d'eau sur votre travail de peinture, surtout en pulvérisant la peinture qui n'est pas de base d'eau. S'il y a ponçage, le sable s'agglomérera et bloquera le pistolet qui sera alors inefficace. Un filtre dans la conduite d'air (MP3105), aussi près que possible du pistolet aidera à éliminer cette humidité.

automatiquement à sa pression pré-établie de « coupure ». Lorsqu'un outil est utilisé continuellement, le compresseur passera automatiquement à des cycles marche et arrêt.

En position OFF (arrêt), le manostat ne peut pas fonctionner et le compresseur ne fonctionnera pas. S'assurer que l'interrupteur est à la position OFF (arrêt) en connectant ou déconnectant le cordon d'alimentation de la prise de courant.

SOUAPE DE SÛRETÉ ASME

⚠ AVERTISSEMENT *Ne jamais enlever ni essayer d'ajuster la soupape de sûreté !*

Vérifier la soupape de sûreté de la manière suivante :

1. Brancher le compresseur et le faire fonctionner jusqu'à ce qu'il atteigne la pression d'arrêt (voir procédure de fonctionnement).
2. Porter des lunettes de sécurité, tirer l'anneau sur la soupape de sûreté pour dégager la pression du réservoir du compresseur. Utiliser l'autre main pour éloigner l'air se déplaçant rapidement vers le visage.
3. La soupape de sûreté se fermera automatiquement à environ 276 kPa - 345 kPa. Si la soupape ne laisse pas sortir l'air en tirant sur l'anneau, ou si elle ne se ferme pas automatiquement, il FAUT la remplacer.

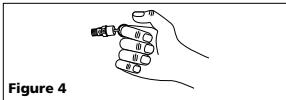


Figure 4

MANOMÈTRES

La jauge fixée au régulateur indique la pression d'air dans le boyau (et tout outil fixé à l'extrémité du boyau).

La jauge fixée au manostat indique la pression d'air dans le réservoir.

Entretien

⚠ AVERTISSEMENT

Débrancher de la source de puissance et ensuite dissiper toute la pression du système avant d'essayer d'installer, de réparer, de déplacer ou de procéder à l'entretien.

Inspecter le compresseur souvent et suivre les procédés d'entretien suivants pendant chaque utilisation du compresseur.

⚠ AVERTISSEMENT *S'il y a une fuite après que la soupape soit lâchée ou si la soupape ne fonctionne pas, elle devrait être remplacée.*

1. Éteindre le compresseur et dégager la pression du système. (Pour dégager la pression du système, tirer sur la soupape de sûreté ASME. Éloigner l'air qui s'échappe en protégeant la soupape d'une main tout en tirant de l'autre.) Tirer l'anneau jusqu'à ce que le réservoir soit vide.

⚠ ATTENTION *Une grande quantité d'air se déplaçant rapidement sera dégagée en ouvrant la soupape de sûreté à cause de la pression dans le réservoir. Porter des lunettes de sécurité Z87.1 approuvées par ANSI.*



Guide De Dépannage (Suite)

Symptôme	Cause(s) Possible(s)	Mesures Correctives
La pression du réservoir tombe lorsque le compresseur est éteint	<ol style="list-style-type: none"> 1. Robinet de vidange desserré 2. Vérifier toute fuite de soupape 3. Connexions desserrées aux raccords, tubes, etc. 4. Fuite du réservoir 	<ol style="list-style-type: none"> 1. Resserrer. 2. Retirer le clapet de non-retour. Nettoyer ou remplacer. 3. Vérifier toutes les connexions avec une solution de savon et d'eau. S'il y a une fuite, (1) resserrer ou (2) retirer le raccord et appliquer du ruban à tuyau pour les filets et remonter. 4. Vérifier le réservoir pour les fuites avec une solution de savon et d'eau. S'il y a une fuite, le réservoir doit être remplacé avec une pièce de rechange d'origine. <p style="text-align: center;">⚠ DANGER</p> <p>Ne pas démonter le clapet de non-retour avec de l'air dans le réservoir ; purger le réservoir</p>
Le compresseur fonctionne continuellement et la sortie d'air est plus basse que la pression de décharge normale/faible	<ol style="list-style-type: none"> 1. Utilisation d'air excessive, compresseur trop petit 2. Filtre d'aspiration bloqué 3. Connexions desserrées aux raccords, tubes, etc. 4. Fuites du réservoir 5. Soupapes cassées 6. Bague de piston usée 	<ol style="list-style-type: none"> 1. Réduire l'utilisation ou acheter une unité à livraison d'air plus élevée (PCNM). 2. Nettoyer ou remplacer. 3. Vérifier toutes les connexions avec une solution de savon et d'eau. S'il y a une fuite, (1) resserrer ou (2) retirer le raccord et appliquer du ruban à tuyau pour les filets et remonter. 4. Vérifier le réservoir pour les fuites avec une solution de savon et d'eau. S'il y a une fuite, le réservoir doit être remplacé avec une pièce de rechange d'origine. 5. Remplacer les soupapes du compresseur au besoin. 6. Remplacer les bagues de piston.
Humidité excessive dans l'air de décharge	<ol style="list-style-type: none"> 1. Eau excessive dans le réservoir 2. Humidité élevée 	<ol style="list-style-type: none"> 1. Vidanger le réservoir. 2. Déplacer à un endroit moins humide ; utiliser un filtre dans la conduite d'air <p>Remarque : La condensation d'air n'est pas causée par une défaillance du compresseur.</p>
Le compresseur fonctionne continuellement et la soupape de sécurité s'ouvre tandis que la pression monte	<ol style="list-style-type: none"> 1. Manostat défectueux 2. Soupape de sécurité défectueuse 	<ol style="list-style-type: none"> 1. Remplacer le manostat 2. Remplacer la soupape de sécurité avec des pièces de rechange authentiques.
Démarrage et arrêt excessifs (auto démarrage)	<ol style="list-style-type: none"> 1. Condensation excessive dans le réservoir 2. Connexions desserrées aux raccords, tubes, etc. 3. Fuites du réservoir 	<ol style="list-style-type: none"> 1. Vidanger plus souvent. 2. Vérifier toutes les connexions avec une solution de savon et d'eau. S'il y a une fuite, (1) resserrer ou (2) retirer le raccord et appliquer du ruban à tuyau pour les filets et remonter. 3. Vérifier le réservoir pour les fuites avec une solution de savon et d'eau. S'il y a une fuite, le réservoir doit être remplacé avec une pièce de rechange d'origine. <p style="text-align: center;">⚠ DANGER</p> <p>Ne pas démonter le clapet de non-retour avec de l'air dans le réservoir ; purger le réservoir</p>
Fuite d'air du clapet de marche sur le manostat	<ol style="list-style-type: none"> 1. Le clapet de non-retour colle en position ouverte 2. Le clapet de marche colle en position ouverte 	<ol style="list-style-type: none"> 1. Réparer ou remplacer le clapet de non-retour. 2. Réparer ou remplacer le clapet de marche. <p style="text-align: center;">⚠ DANGER</p> <p>Ne pas démonter le clapet de non-retour avec de l'air dans le réservoir ; purger le réservoir</p>

Guide de Dépannage

Symptôme	Cause(s) Possible(s)	Mesures Correctives
Le compresseur ne fonctionne pas	<ol style="list-style-type: none"> 1. Interrupteur à la position OFF (arrêt) 2. Aucun courant à la prise 3. Le compresseur a atteint la pression d'arrêt automatique 4. Moteur surchauffé 5. Manostat défectueux 	<ol style="list-style-type: none"> 1. S'assurer que le compresseur est branché et l'interrupteur à ON (marche). 2. Vérifier le disjoncteur et le fusible au panneau électrique. 3. Drainer l'air du réservoir jusqu'à ce que le compresseur redémarre automatiquement. 4. Laisser le compresseur refroidir pendant environ 30 minutes pour réarmer l'interrupteur de surchauffe thermique. S'assurer que le compresseur fonctionne dans un milieu propre et bien ventilé. 5. Remplacer le manostat.
Le moteur ronfle, mais ne fonctionne pas ou fonctionne lentement.	<ol style="list-style-type: none"> 1. Clapet de non-retour défectueux 2. Clapet de marche à vide défectueux (sur le manostat) 3. Basse tension 4. Connexions électriques desserrées 5. Mauvais calibre de fil ou longueur de rallonge 6. Condensateur de moteur défectueux 7. Court-circuit ou enroulement du moteur ouvert 	<ol style="list-style-type: none"> 1. Réparer ou remplacer. 2. Réparer ou remplacer. 3. Vérifier la tension à la prise murale avec un voltmètre. 4. Vérifier toutes les connexions électriques. 5. Vérifier le tableau de rallonge pour la bonne utilisation de la rallonge. 6. Remplacer le condensateur. 7. Remplacer l'assemblage du moteur.
⚠ DANGER		
Ne pas démonter le clapet de non-retour avec de l'air dans le réservoir ; purger le réservoir		
Fusible grille/disjoncteur se déclenche à répétition	<ol style="list-style-type: none"> 1. Mauvaise taille de fusible, surcharge de circuit 2. Mauvais calibre de fil ou longueur de rallonge 3. Clapet de non-retour défectueux 4. Clapet de marche à vide défectueux (sur le manostat) 5. Condensateur de moteur défectueux 6. Moteur court-circuité ou gèle 	<ol style="list-style-type: none"> 1. Vérifier la taille du fusible. Utiliser un fusible de type de surcharge. Débrancher tous les autres appareils électriques du circuit ou faire fonctionner le compresseur sur son propre circuit de dérivation. 2. Vérifier le tableau de rallonge pour la bonne utilisation de la rallonge. 3. Réparer ou remplacer. 4. Réparer ou remplacer. 5. Remplacer le condensateur. 6. Remplacer l'assemblage du moteur.
⚠ DANGER		
Ne pas démonter le clapet de non-retour avec de l'air dans le réservoir ; purger le réservoir		
Le protecteur de surcharge thermique se coupe à répétition	<ol style="list-style-type: none"> 1. Basse tension 2. Mauvais calibre de fil ou longueur de rallonge 3. Filtre d'entrée bloqué 4. Manque de ventilation appropriée/ température ambiante trop élevée 5. Clapet de non-retour défectueux 6. Clapet de marche à vide défectueux (sur le manostat) 7. Défaillances de soupapes de compresseur 	<ol style="list-style-type: none"> 1. Vérifier la tension à la prise murale avec un voltmètre. 2. Vérifier le tableau de rallonge pour la bonne utilisation de la rallonge. 3. Nettoyer ou remplacer le filtre. 4. Déplacer le compresseur à un endroit bien ventilé. 5. Réparer ou remplacer. 6. Réparer ou remplacer. 7. Remplacer l'assemblage de la soupape.
⚠ DANGER		
Ne pas démonter le clapet de non-retour avec de l'air dans le réservoir ; purger le réservoir		
Frappe, cogne et/ou vibration excessive	<ol style="list-style-type: none"> 1. Boulons de montage desserrés 2. Réservoir n'est pas à niveau 3. Le cylindre ou le piston est usé/marqué 	<ol style="list-style-type: none"> 1. Resserrer les boulons 2. Utiliser un objet/coin solide pour ramener le réservoir à la position à niveau. 3. Remplacer ou réparer au besoin.

Entretien (Suite)

2. Drainer l'humidité du réservoir en ouvrant le robinet de vidange sous le réservoir. Pencher le réservoir pour en retirer toute l'humidité.

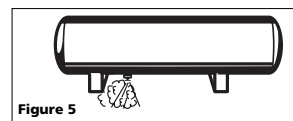


Figure 5

3. Nettoyer la poussière et la saleté du réservoir, des conduites d'air et le couvercle de pompe tandis que le compresseur est encore arrêté (OFF).

CHANGER L'HUILE

1. Faire fonctionner le compresseur pour réchauffer l'huile. Débrancher l'appareil.
2. Placer un récipient sous le bout de la pompe du modèle.
3. Enlever le bouchon de vidange, permettre que l'huile se vide dans le récipient. Incliner l'appareil pour le vider complètement.
4. Replacer le bouchon de purge, remplir la pompe jusqu'au centre du regard d'huile. Utiliser l'huile à moteur synthétique Chevron 5W-30, Mobil 1 5W-30 ou 10W-30 dans ce compresseur. L'utilisation d'autres types d'huile causera des problèmes de démarrage.
5. Changer l'huile après chaque 50 heures d'usage.

ENTRETIEN DU FILTRE D'AIR D'ASPIRATION

Retrait, inspection et remplacement (Figure 6).

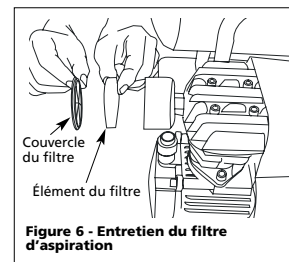


Figure 6 - Entretien du filtre d'aspiration

Il faut retirer l'élément du filtre d'aspiration et le vérifier régulièrement. Un filtre d'aspiration bloqué peut réduire la performance du compresseur et provoquer une surchauffe du compresseur.

1. Tourner le couvercle du filtre dans le sens contraire des aiguilles d'une montre et retirer.
2. Retirer l'élément du filtre et l'inspecter.
3. Si l'élément du filtre est sale ou bloqué, le remplacer.
4. Réinstaller le filtre et le couvercle.

IMPORTANT : Placer l'unité aussi loin que possible du secteur de pulvérisation pour éviter que la surpulvérisation bloque le filtre.

SECTION DE PROTECTEUR DE SURCHARGE

⚠ ATTENTION

Ce compresseur est doté d'un protecteur de surcharge à réarmement manuel qui coupera le moteur si surchargé.

Si le protecteur coupe fréquemment le moteur, rechercher les causes suivantes.

1. Basse tension.
2. Filtre d'air bloqué.
3. Manque de ventilation appropriée.

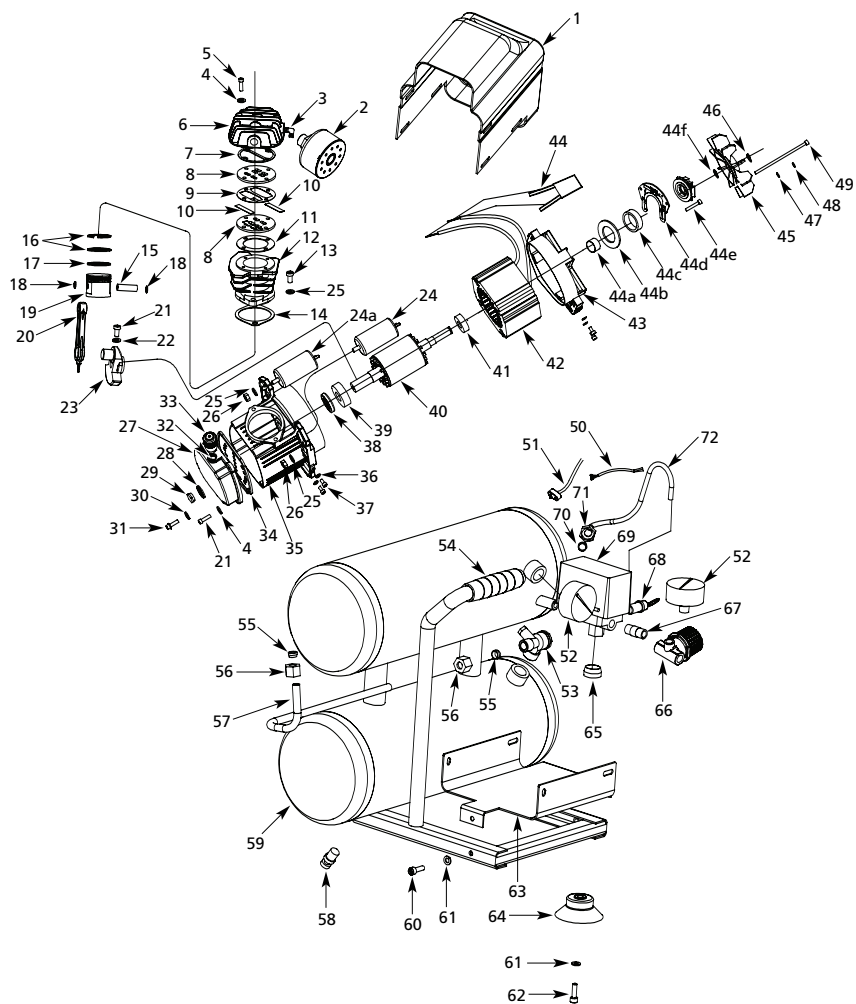
⚠ ATTENTION

Si le protecteur de surchauffe est activé, le moteur doit pouvoir se refroidir pendant 30 minutes avant tout démarrage manuel.

RANGEMENT

1. Vidanger le réservoir d'humidité.
2. Lorsque l'appareil n'est pas utilisé, le ranger dans un endroit frais et sec.
3. Débrancher le tuyau et laisser tomber les extrémités ouvertes pour permettre le drainage de l'humidité.

Notes



Pour les Pièces de Rechange, Appeler 1-800-543-6400

Fournir l'information suivante :

-Numéro du modèle

-Numéro de série (s'il y en a un)

-Description de la pièce et son numéro tel qu'indiqué sur la liste de pièces

Correspondance :

Attn: Parts Dept.

100 Production Drive

Harrison, OH 45030 USA

N° Réf.	Description	HL5402	Qté.	N° Réf.	Description	HL5402	Qté.
1	Couvercle de protection	▲	1	46	Pince circulaire	▽	1
2	Filtre à air (inclut les éléments)	HL030100AV	1	47	Rondelle plate	--	4
3	Coude	HL030200AV	1	48	Rondelle-frein	--	4
4	Rondelle	■, △	8	49	Verrou moteur	--	4
5	Boulon de culasse	■	4	50	Cordon du moteur	--	1
6	Tête du cylindre	■	1	51	Cordon d'alimentation	--	1
7	Joint d'étanchéité de tête	●	1	52	Manomètre	HL030400AV	2
8	Plaque porte-soupape	◆	2	53	Soupape de retenue	HL030500AV	1
9	Joint métallique	◆	1	54	Manche	HL030600AV	1
10	Soupape	◆	2	55	Virole	☆	2
11	Joint de plaque de soupape	●	1	56	Écrou	☆	2
12	Cylindre	★	1	57	Tube d'échappement	☆	1
13	Boulon de cylindre	▼	2	58	Robinet de purge	HL030700AV	1
14	Joint d'étanchéité de cylindre	●	1	59	Réservoir	--	1
15	Tourillon de crosse	★	1	60	Boulon	--	2
16	Bague de compression	★	2	61	Rondelle	▶	6
17	Bague de graissage	★	1	62	Boulon	▶	4
18	Dispositif de retenue du tourillon	★	2	63	Base	--	1
19	Piston	★	1	64	Pied	▶	4
20	Bielle de connexion	HL030300AV	1	65	Bouchon	--	1
21	Boulon	△	5	66	Régulateur de pression	HL030800AV	1
22	Rondelle	--	1	67	Mamelon simple biconique	--	1
23	Excentrique	--	1	68	Soupape de sûreté	HL030900AV	1
24	Condensateur	*	1	69	Manostat	HL031000AV	1
24a	Condensateur	*	1	70	Virole	✕	2
25	Rondelle	▼, *	4	71	Écrou	✕	2
26	Écrou	*	2	72	Tuyau de déchargement	✕	1
27	Couvercle de carter	△	1	NECESSAIRES D'ENTRETIEN			
28	Joint torique	□	1	▲	Trousse d'épaulement (inclut 1 et 4 des articles 36 et 37)	HL031100AV	
29	Regard	□	1	■	Trousse de culasse (inclut 6 et 4 des articles 4 et 5)	HL031200AV	
30	Joint torique	○	1	●	Trousse de joint d'étanchéité (inclut 7, 11, 14, 34)	HL031300AV	
31	Bouchon de vidange	○	1	◆	Trousse de plaque porte-soupape (inclut 9 et 2 des articles 8 et 10)	HL031400AV	
32	Joint torique	◇	1	▼	Trousse de cylindre (inclut 2 des articles 13 et 25)	HL031500AV	
33	Reniflard	◇	1	★	Trousse de piston (inclut 15, 17, 19 et 2 des articles 16 et 18)	HL031600AV	
34	Joint d'étanchéité du couvercle de carter	●	1	*	Trousse de condensateur (inclut 24, 24a, et 2 des articles 25 et 26)	HL031700AV	
35	Carter	--	1	△	Trousse de couvercle de carter (inclut 4 des articles 4 et 21)	HL031800AV	
36	Rondelle	▲	4	□	Trousse du regard (inclut 28 et 29)	HL031900AV	
37	Vis de couvercle de protection	▲	4	○	Trousse de bouchon de purge (inclut 30 et 31)	HL032000AV	
38	Bague d'étanchéité d'huile	--	1	◇	Trousse de reniflard (inclut 32 and 33)	HL032100AV	
39	Palier	--	1	▽	Trousse de ventilateur (inclut 45 et 46)	HL032200AV	
40	Rotor	--	1	☆	Trousse de conduit de ventilation (inclut 57 et 2 des articles 55 et 56)	HL032300AV	
41	Palier	--	1	▶	Trousse de pied (inclut 61, 62, et 64)	HL032400AV	
42	Stator	--	1	✕	Trousse de tuyau de décharge (inclut 70, 71, et 72)	HL032500AV	
43	Châssis arrière du moteur	--	1				
44	Surcharge thermique	--	1				
44a	Anneau d'orientation	--	1				
44b	Entretoise	--	1				
44c	Anneau d'orientation	--	1				
44d	Interrupteur de démarrage	--	1				
44e	Vis	--	2				
44f	Pince circulaire	--	1				
45	Ventilateur	▽	1				