



# SPEEDAR®



## Air Compressor Pumps

Model 40KH92



# **SPEEDAIRE**

**PLEASE READ AND SAVE  
THESE INSTRUCTIONS.  
READ CAREFULLY  
BEFORE ATTEMPTING  
TO ASSEMBLE, INSTALL,  
OPERATE OR MAINTAIN THE  
PRODUCT DESCRIBED.**

**PROTECT YOURSELF AND  
OTHERS BY OBSERVING ALL  
SAFETY INFORMATION. FAILURE  
TO COMPLY WITH INSTRUCTIONS  
COULD RESULT IN PERSONAL  
INJURY AND/OR PROPERTY DAMAGE!  
RETAIN INSTRUCTIONS FOR FUTURE  
REFERENCE.**

**PLEASE REFER TO BACK COVER  
FOR INFORMATION REGARDING  
SPEEDAIRE'S WARRANTY AND OTHER  
IMPORTANT INFORMATION.**

**Model #:** \_\_\_\_\_

**Serial #:** \_\_\_\_\_

**Purch. Date:** \_\_\_\_\_

*Form 5S7664 / Printed in U.S.A.*

*Version 0 9/2015*

*© 2013 W.W. Grainger, Inc.*

*All Rights Reserved*

## BEFORE YOU BEGIN

### Introduction

This pump is designed with an oil lubrication system that requires use of oil. A small amount of oil carryover is present in the compressed air stream. Applications requiring air free of oil vapor should have the appropriate filter installed. The air compressor pump should be mounted and installed per the listed instructions. Any other use of these pumps will void the warranty and the manufacturer will not be responsible for problems or damages resulting from such misuse.

Quick Reference
<b>Recommended Oil (2 Options)</b>
Single viscosity SAE 30 ISO100 nondetergent compressor oil. Part number 1WG50 or 4ZF21.
10W30 synthetic oil such as Mobil 1® or 1WG49.
<b>Oil Capacity</b>
Approximately 40 oz. (per pump)

## UNPACKING

**⚠ CAUTION** *Do not lift or move unit without appropriately rated equipment. Be sure the unit is securely attached to lifting device used. Do not lift unit by holding onto tubes or coolers. Do not use unit to lift other attached equipment.*

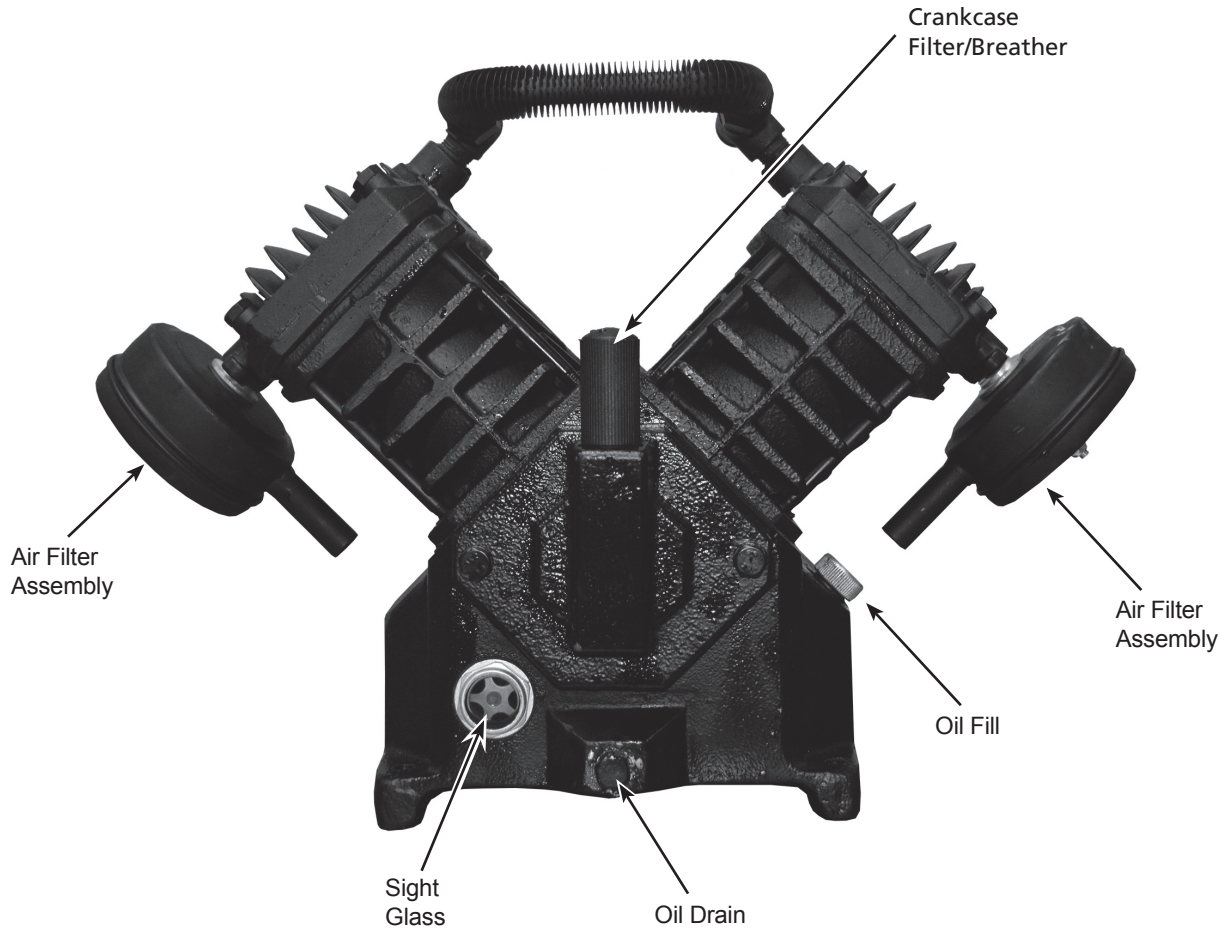
After unpacking the unit, inspect carefully for any damage that may have occurred during transit. Check for loose, missing or damaged parts. Check to be sure all supplied accessories are enclosed with the unit. In case of questions, damaged or missing parts, please call 1-855-504-5678 for customer assistance.

**⚠ WARNING** *Do not operate unit if damaged during shipping, handling or use. Damage may result in bursting and cause injury or property damage.*

### Required Items - Not Included

- Oil

**Getting To Know Your Air Compressor Pump**



**Figure 1 - Air Compressor Pump**

## GENERAL SAFETY INSTRUCTIONS

### Safety Guidelines

This manual contains information that is very important to know and understand. This information is provided for SAFETY and to PREVENT EQUIPMENT PROBLEMS. To help recognize this information, observe the following symbols.



**DANGER** *Danger indicates an imminently hazardous situation which, if not avoided, WILL result in death or serious injury.*



**WARNING** *Warning indicates a potentially hazardous situation which, if not avoided, COULD result in death or serious injury.*



**CAUTION** *Caution indicates a potentially hazardous situation which, if not avoided, MAY result in minor or moderate injury.*



**NOTICE** *Notice indicates important information, that if not followed, may cause damage to equipment.*

**IMPORTANT:** Information that requires special attention.

### Safety Symbols

The following Safety Symbols appear throughout this manual to alert you to important safety hazards and precautions.



Wear Eye  
and Mask  
Protection



Read  
Manual  
First



Risk of  
Moving Parts



Risk of  
Hot Parts



Risk of  
Pressure

### California Proposition 65



**WARNING** *This product or its power cord may contain chemicals known to the State of California to cause cancer and birth defects or other reproductive harm. Wash hands after handling.*



**WARNING** *You can create dust when you cut, sand, drill or grind materials such as wood, paint, metal, concrete, cement, or other masonry. This dust often contains chemicals known to cause cancer, birth defects, or other reproductive harm. Wear protective gear.*

### Important Safety Information

**Please read and save these instructions. Read carefully before attempting to assemble, install, operate or maintain the product described. Protect yourself and others by observing all safety information. Failure to comply with instructions could result in personal injury and/or property damage! Retain instructions for future reference.**

This manual contains important safety, operational and maintenance information. If you have any questions, please call 1-855-504-5678 for customer assistance.

Since the air compressor and other components (material pump, spray guns, filters, lubricators, hoses, etc.) used make up a high pressure pumping system, the following safety precautions must be observed at all times:

## Important Safety Information (Continued)

### **⚠ DANGER**

#### **BREATHABLE AIR WARNING**

This compressor/pump is not equipped and should not be used “as is” to supply breathing quality air. For any application of air for human consumption, the air compressor/pump will need to be fitted with suitable in-line safety and alarm equipment. This additional equipment is necessary to properly filter and purify the air to meet minimal specifications for Grade D breathing as described in Compressed Gas Association Commodity Specification G 7.1, OSHA 29 CFR 1910. 134, and/or Canadian Standards Associations (CSA).

#### **DISCLAIMER OF WARRANTIES**

**In the event the compressor is used for the purpose of breathing air application and proper in-line safety and alarm equipment is not simultaneously used, existing warranties shall be voided, and the manufacturer disclaims any liability whatsoever for any loss, personal injury or damage.**

#### **General Safety**

- Read all manuals included with this product carefully. Be thoroughly familiar with the controls and the proper use of the equipment.
- Follow all local electrical and safety codes as well as the United States National Electrical Codes (NEC) and Occupational Safety and Health Act (OSHA).
- Only persons well acquainted with these rules of safe operation should be allowed to use the compressor.
- Keep visitors away and NEVER allow children in the work area.
- Wear safety glasses and use hearing protection when operating the unit.
- Do not stand on or use the unit as a handhold.
- Before each use, inspect pump for signs of damage, deterioration, weakness or leakage. Repair or replace defective items before using.
- Check all fasteners at frequent intervals for proper tightness.



**⚠ WARNING** *Never operate compressor without a beltguard. This unit can start automatically without warning. Personal injury or property damage could occur from contact with moving parts.*



- Do not wear loose clothing or jewelry that will get caught in the moving parts of the unit.

**⚠ CAUTION** *Compressor parts may be hot even if the unit is stopped.*



- Keep fingers away from a running compressor; fast moving and hot parts will cause injury and/or burns.
- If the equipment should start to vibrate abnormally, STOP the engine/motor and check immediately for the cause. Vibration is generally an indication of trouble.
- To reduce fire hazard, keep engine/motor exterior free of oil, solvent, or excessive grease.

**⚠ WARNING** *An ASME code safety relief valve with a setting no higher than 200 psi for two-stage compressors or 150 psi for single stage compressors MUST be installed in the air lines or in the tank for this compressor. The ASME safety valve must have sufficient flow and pressure ratings to protect the pressurized components from bursting. The flow rating can be found in the parts manual. The maximum safe pressure rating for the pump is 200 psi (two-stage) or 150 psi (single stage). The safety valve in the intercooler does not provide system protection.*

**⚠ CAUTION** *Maximum operating pressure is 175 psi for two-stage compressors and 135 psi for single stage compressors. Do not operate with pressure switch or pilot valves set higher than 175 psi (two-stage) or 135 psi (single stage).*

- Fast moving air will stir up dust and debris which may be harmful. Release air slowly when draining moisture or depressurizing the compressor system.

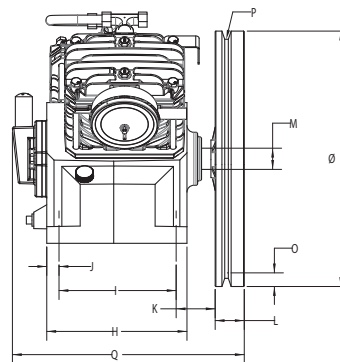
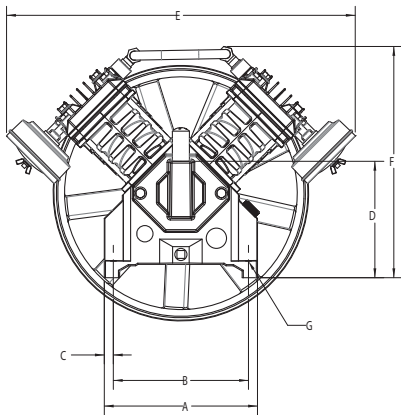
**Save These Instructions  
Do Not Discard**

The **DANGER, WARNING, CAUTION, and NOTICE** notifications and instructions in this manual cannot cover all possible conditions and situations that may occur. It must be understood by the operator that caution is a factor which cannot be built into this product, but must be supplied by the operator.

**SPECIFICATIONS AND DIMENSIONS**

**Specifications**

Weight: 42 lbs



Key	Item	40KH92
A	Base-width	8.50 inch
B	Bolt down-width	7.50 inch
C	Bolt down to edge	0.50 inch
D	Base to crank CTR	6.46 inch
E	Overall width	19.35 inch
F	Overall height	12.83 inch
G	Bolt down hole diameter	0.34 inch
H	Base-depth	7.78 inch
I	Bolt down-depth	6.50 inch
J	Bolt down to edge	0.68 inch
K	Bolt to wheel (max.) down	2.17 inch
L	Flywheel width	1.61 inch
M	Shaft diameter	1.18 inch
N	Flywheel diameter	14.17 inch
O	Flywheel drop	0.76 inch
P	Flywheel grooves	A-Section V-Belt Single Groove
Q	Overall depth	12.87 inch

## INSTALLATION INSTRUCTIONS

**⚠ CAUTION** Do not lift or move unit without appropriately rated equipment. Be sure the unit is securely attached to lifting device used. Do not lift unit by holding onto tubes or coolers. Do not use unit to lift other attached equipment.

**NOTE:** If compressor operates in a hot, moist environment, supply compressor pump with clean, dry outside air. Supply air should be piped in from external sources. For two-stage compressors only, use adapter kit (TF060502AV) to connect piping to compressor. Two adapter kits are needed for two-stage 10 and 15 HP units.

### Pump Mounting

40KH92 requires a mounting bolt size of 5/16 inch. Properly torqued 5/16 inch bolts are torqued to 12 ft/lbs (144inch/lbs).

### Direction of Rotation

**NOTE:** Improper rotation will result in reduced compressor life.

The direction of rotation must be counterclockwise (as shown by the arrow on the flywheel) while facing the flywheel side of the pump. The motor nameplate will show wiring information for counterclockwise rotation.

The proper direction is very important. The direction of rotation of 3 phase motors can be reversed by interchanging any two motor-line leads. For single phase motors, refer to the motor nameplate.

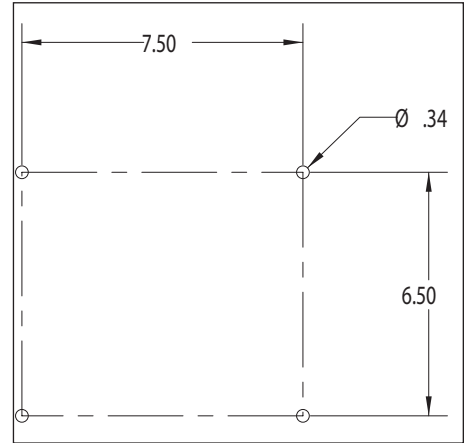


Figure 2 - Pump Mounting Pattern

### Lubrication

**⚠ CAUTION** This unit contains no oil. Before operating compressor, fill to the center of the sight gauge (see Figure 3).

**⚠ CAUTION** Using any other type of oil may shorten pump life and damage valves.

#### Recommended Oil (2 Options)

Single viscosity SAE 30 ISO100 nondetergent compressor oil. Part number 1WG50 or 4ZF21.

10W30 synthetic oil such as Mobil 1® or 1WG49.

#### Oil Capacity

Approximately 40 oz. (per pump)

Fill the pump with oil to the center of the sight gauge using oil fill opening (see Figure 3). **Do NOT fill the pump through the breather cap opening as this may cause oil to leak and spray out during operation.**

**NOTE:** Some residual oil may still be in the pump from factory testing leaving a thin coat on the sight gauge; however, there is not enough oil to operate the unit.

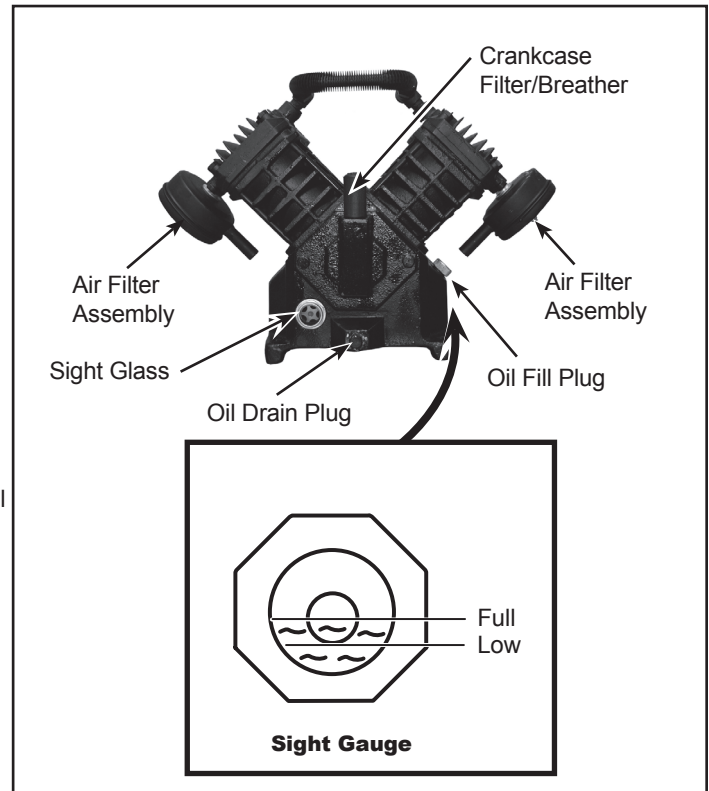


Figure 3 - Lubrication



## OPERATING INSTRUCTIONS

**IMPORTANT:** Check motor rotation before operating the compressor.

All lubricated compressor pumps discharge some condensed water and oil with the compressed air. Install appropriate water/oil removal equipment and controls as necessary for the intended application.

**NOTICE**

***Failure to install appropriate water/oil removal equipment may result in damage to machinery or workpiece.***

### **Guarding**

**▲ WARNING**

***A belt guard must be installed before operating this unit.***

All moving parts must be guarded. All electrical covers must be installed before turning on the power.

### **Recommended Break-In Period**

The compressor should be run continuously for one hour at less than 100 psi to allow proper seating of the piston rings.

**IMPORTANT:** Change oil after first 50 hours of operation.

### **Continuous Run Operation**

To convert to continuous run operation a separate unloading device must be installed by the user between the pump and the tank. The existing check valve must be removed.

### **Crankcase Breather**

During severe operating conditions or initial start-up, some oil may accumulate at the crankcase breather opening. This is normal and will diminish as the pump accumulates run time and the piston rings become fully seated.

#### **MOISTURE IN COMPRESSED AIR**

Moisture in compressed air will form into droplets as it comes from an air compressor pump. When humidity is high or when a compressor is in continuous use for an extended period of time, this moisture will collect in the tank. When using a paint spray or sandblast gun, this water will be carried from the tank through the hose, and out of the gun as droplets mixed with the spray material.

**IMPORTANT:** This condensation will cause water spots in a paint job, especially when spraying other than water based paints. If sandblasting, it will cause the sand to cake and clog the gun, rendering it ineffective. A filter in the air line, located as near to the gun as possible, will help eliminate this moisture.

## TROUBLESHOOTING GUIDE FOR NEW INSTALLATIONS

Symptom	Possible Cause(s)	Corrective Action
Unit fails to start - Motor makes no noise	1. Insufficient power to compressor	1. Source electric to the compressor is either the incorrect voltage, insufficient wire size to carry the load, the fuse box or breaker box is not sufficient to carry the load requirements to the compressor.
	2. Unit wired incorrectly	2. Consult a qualified electrician
	3. Wrong voltage supplied to unit	3. Consult a qualified electrician
	4. Loose electrical connections	4. The entire electrical system should be checked by a certified electrician. The incoming wires and the compressor electrical connections should be checked. Loose connections will cause malfunctions
	5. Wrong size wiring	5. Check that wire size is rated for the current of the compressor. State and local codes vary widely and need to be checked before installation
	6. Blown fuse and/or tripped breaker	6. The breaker and fuses required for this unit must be time delay. A tripped breaker or blown fuse may result from a direct short to ground, high current draw, improper wiring, incorrect fuse or breaker size and/or type. This needs to be evaluated by a service center or certified electrician
	7. Starter overload tripped	7. Check and reset if necessary. If the overload trips after the initial reset, refer to the below section "reset trips on starter"
Unit fails to start - Motor hums	1. Unit wired incorrectly	1. Consult a qualified electrician
	2. Wrong voltage	2. Make sure voltage is correct with the motor wiring
	3. Loose electrical connections	3. The entire electrical system should be checked by a certified electrician. The incoming wires and the compressor electrical connections should be checked. Loose connections will cause malfunctions
Reset trips on starter	1. Unit wired incorrectly	1. Check voltage, wire size, etc. This problem needs to be evaluated and corrected
	2. Wrong voltage	2. Make sure voltage is correct with the motor wiring
	3. Wrong size wiring	3. Check to make sure wire size is rated for the current of the compressor. Check that wire size is rated for the current of the compressor. State and local codes vary widely and need to be checked before installation
Unit starts but does not get to full speed	1. Insufficient power to compressor	1. Source electric to the compressor is either the incorrect voltage, insufficient wire size to carry the load, the fuse box or breaker box is not sufficient to carry the load requirements to the compressor
	2. Loose electrical connections	2. The entire electrical system should be checked by a certified electrician. The incoming wires and the compressor electrical connections should be checked. Loose connections will cause malfunctions
Unit does not make any or very little air	1. Drain valve open	1. Make sure the drain valve at the bottom of the tank is closed
	2. Air leak	2. Check the entire system for leaks, including the compressor unit and any piping attached to the compressor
	3. Restricted or blocked intake	3. Make sure that the air intake of the compressor is not blocked in any way

*Continued on next page*

## TROUBLESHOOTING GUIDE FOR NEW INSTALLATIONS

Symptom	Possible Cause(s)	Corrective Action
Unit runs very noisy	<ol style="list-style-type: none"> <li>1. Damage to the compressor</li> <li>2. Loose fasteners</li> <li>3. Loose flywheel or pulley</li> <li>4. Improper installation</li> </ol>	<ol style="list-style-type: none"> <li>1. Make sure all components on air compressor assembly are properly installed</li> <li>2. Check all bolts and nuts to assure they did not loosen during shipping</li> <li>3. Check to assure pulley and flywheel are correctly tightened</li> <li>4. If unit is left on skid it may cause excessive vibration. Remove unit from skid and mount loosely to floor with vibration pads and anchor bolts. Do not tighten bolts tight. Leave nut loose approximately 1/8 inch from compressor foot</li> </ol>
Oil in discharge air or out crankcase breather	<ol style="list-style-type: none"> <li>1. Break in period</li> <li>2. Wrong type of oil</li> <li>3. Improper environment</li> </ol>	<ol style="list-style-type: none"> <li>1. Some oil in the exhaust air is normal during the break-in period and during heavy usage after the break-in period. Oil discharge should reduce as hours are accumulated on the unit</li> <li>2. Do not use SAE-30 automotive type oil. Using the wrong oil can cause problems with the pump and will void the warranty. Only use the oils that the operating manual recommends (see Lubrication section)</li> <li>3. Unit should not be installed in a poorly vented area or exposed to extreme cold or hot conditions. Normal operating range should be between 32°F and 100°F</li> </ol>
Compressor seems to run hot	Rotation incorrect	Check to make sure the compressor is running the direction of the flywheel arrow. Air flow should be so that the flywheel directs air across the head of the pump. Standing in front of the compressor (non-belt guard side) air should flow back to front

## TROUBLESHOOTING GUIDE FOR UNITS IN SERVICE FOR A PERIOD OF TIME

Symptom	Possible Cause(s)	Corrective Action
Motor does not run	1. Loose electrical connections	1. The entire electrical system should be checked by a certified electrician. The incoming wires and the compressor electrical connections should be checked. Loose connections will cause malfunctions
	2. Blown fuse and/or tripped breaker	2. The breaker and fuses required for this unit must be time delay. A tripped breaker or blown fuse may result from a direct short to ground, high current draw, improper wiring, incorrect fuse or breaker size and/or type. This needs to be evaluated by a service center or certified electrician
	3. Starter overload tripped	3. Check and reset if necessary. If the overload trips after the initial reset, refer to "Troubleshooting Guide for New Installations."
	4. Defective capacitor	4. Check and replace (if necessary) defective capacitor
	5. Defective magnetic starter	5. First check for any loose wiring and tighten if loose. Check and replace (if necessary) defective magnetic starter
Motor hums; motor draws high amps, trips overload, trips breaker, or blows fuse on start up	1. Defective pressure switch unloader	1. Drain the tank of all pressure. Restart compressor under no load. If compressor is able to start, then the unloader needs to be checked. If this problem is not corrected it will fail the motor and / or other electrical components
	2. Defective check valve - constant loss of tank pressure	2. Determine if the check valve is working properly - pressure switch unloader should quit hissing after the compressor shuts off. If the hissing continues and if there is a constant loss of tank pressure, then the check valve is not working properly. Replace check valve
	3. Loose electrical connections	3. The entire electrical system should be checked by a certified electrician. The incoming wires and the compressor electrical connections should be checked. Loose connections will cause malfunctions
	4. Defective capacitor	4. Check and replace (if necessary) defective capacitor
	5. Valve problem or blown gasket	5. Check gasket and replace as needed. Other symptoms occur when a valve is not sealing or a gasket is blown such as higher than normal amp draw which may trip out the overload or breaker
Compressor runs but builds pressure slowly	1. Air leak	1. Check the entire system for leaks, including the compressor unit and any piping attached to the compressor
	2. Dirty air filter	2. Air filters need to be changed regularly based on usage and environment. A dirty filter may appear to be clean. Change filters often
	3. Valve problem or blown gasket	3. Check gasket and replace as needed. Other symptoms occur when a valve is not sealing or a gasket is blown such as higher than normal amp draw which may trip out the overload or breaker
	4. Tank cracked	4. Replace the tank. <b>The unit should not be run under any conditions.</b> Tanks cannot be welded or patched
Interstage safety valve pops off when the unit is running	1. Valve problem or worn gasket	1. Check and replace valve or gaskets as needed.
	2. Low head bolt torque	2. Check and retighten head bolts to specified torque
	3. Defective interstage safety valve	3. Replace interstage safety valve. Under no circumstances plug the safety valve port
Oil out breather	1. Worn rings or scored cylinder	1. Replace rings and/or replace cylinder
	2. Compressor running hot	2. Make sure compressor is running the correct rotation. Compressor should be clean and in a well ventilated area. Oil should be changed on regular intervals according to the specifications listed in the manual. Air filter must be changed as it gets dirty

Continued on next page

## TROUBLESHOOTING GUIDE FOR UNITS IN SERVICE FOR A PERIOD OF TIME (CONTINUED)

Symptom	Possible Cause(s)	Corrective Action
Milky oil in crankcase	1. Low usage of compressor - water is condensing in the crankcase	1. Run the compressor continuously for 1 hour. The heat generated during this running period will evaporate the moisture out of the oil
	2. Wrong type of oil	2. Do not use SAE-30 automotive type oil. Using the wrong oil can cause various problems with the pump and will void the warranty. Only use the oils that the operating manual recommends
	3. Improper environment	3. Unit should not be installed in a poorly vented area or exposed to extreme cold or hot conditions. Normal operating range should be between 32°F and 100°F
	4. Rotation incorrect	4. Check to make sure the compressor is running the direction of the flywheel arrow. Air flow should be so that the flywheel directs air across the head of the pump. Standing in front of the compressor (non-belt guard side) air should flow back to front
	5. Slight leakage of tank check valve	5. Air cools and condensates, then leaks back into the pump. Draining tank of air after use will normally take care of this situation
Pressure switch continually blows air out the unloader valve	Defective check valve	Replace check valve
Pressure switch does not release air when the compressor shuts off.	Pressure switch unloader not working properly	Drain the tank of all pressure. Restart compressor under no load. If compressor is able to start, then the unloader needs to be checked. If this problem is not corrected it will fail the motor and / or other electrical components
Compressor will not shut off	1. Defective pressure switch	1. Setting too high. Replace pressure switch
	2. Defective safety valve	2. Make sure tank pressure gauge is reading correctly and if necessary replace tank safety valve
Unit vibrates excessively	1. Loose fasteners	1. This includes mounting bolts for the pump, motor, belt guard, mag. starter, etc. Check for loose fasteners as part of a routine maintenance schedule. Tighten any loose fasteners
	2. Loose pulley, loose belt or misalignment or pulleys	2. The pulley and belt may need to be tightened over time. The pulleys may need to be realigned to assure proper belt wear and lower vibration. These should be checked as part of regular maintenance
	3. Defective pump	3. A defective pump includes knocking or making noises not normal to the pump design. Severe oil out the breather usually indicates ring or cylinder wear. Low pump performance could indicate valve problems. There are numerous symptoms associated with a defective pump. The pump will need to be evaluated
Water in discharge air	1. Hot humid weather	1. During hot and humid weather it is normal to accumulate water in the compressor tank. This is normal and requires frequent draining of tank. We recommend use of an automatic drain along with filters and dryers if this is a problem
	2. Water accumulated in the tank	2. Drain tank of water to prevent tank corrosion and air tool wear. It is recommended use of an automatic drain along with filters and dryer to prevent water into exhaust air of the compressor

Continued on next page

**TROUBLESHOOTING GUIDE FOR UNITS IN SERVICE FOR A PERIOD OF TIME (CONTINUED)**

Symptom	Possible Cause(s)	Corrective Action
Oil in discharge air	<ol style="list-style-type: none"><li>1. Restricted intake filter</li><li>2. Wrong type of oil</li><li>3. Worn rings or scored cylinder</li><li>4. Compressor running hot</li></ol>	<ol style="list-style-type: none"><li>1. The filter should be changed frequently to avoid possible problems and to make the compressor operation efficient. There is a vacuum created in the intake of the compressor, which causes high oil consumption by pulling oil through the rings. There is also a chance of the intake filter media being destroyed, allowing contaminants to enter the intake and cause wear problems</li><li>2. Do not use SAE-30 automotive type oil. Using the wrong oil can cause various problems with the pump and will void the warranty. Only use the oils that the operating manual recommends</li><li>3. Replace rings and/or replace cylinder</li><li>4. Make sure compressor is running the correct rotation. Compressor should be clean and in a well ventilated area. Oil should be changed on regular intervals according to the specifications listed in the manual. Air filter must be changed as it gets dirty</li></ol>

## MAINTENANCE AND INSPECTION INSTRUCTIONS



### **⚠ WARNING**

**Disconnect, tag and lock out power source then release all pressure from the system before attempting to install, service, relocate or perform any maintenance.**

In order to maintain efficient operation of the compressor system, check the air filter and oil level before each use. The ASME safety valve should also be checked daily. Pull ring on safety valve and allow the ring to snap back to normal position. This valve automatically releases air if the tank pressure exceeds the preset maximum. If air leaks after the ring has been released, or the valve is stuck and cannot be actuated by the ring, the ASME safety valve must be replaced.

### **Compressor Lubrication**

See Installation. Add oil as required. The oil should be changed every three months or after every 500 hours of operation; whichever comes first.

### **Air Filter**

Never run the compressor pump without an intake air filter nor with a clogged intake air filter. Use compressed air to blow the filter clean. Do not wash or oil the element. If it cannot be blown clean, the filter must be replaced. Operating compressor with a dirty filter can cause high oil consumption and increase oil contamination in the discharge air.

### **Intercooler (Two-Stage Compressors Only)**

#### **⚠ CAUTION**

**Intercooler fins are sharp, always wear gloves and use care when you clean or work near the intercooler.**

Weekly, check the intercooler to be sure all fittings are secure and tight. Blow all dirt, dust and other accumulations from the intercooler fins.

### **Components**

Turn off all power and clean the cylinder head, motor, fan blades, air lines, intercooler and tank on a monthly basis.

### **Belts**

#### **⚠ WARNING**

**Lock out and tag the power then release all pressure from the tank to prevent unexpected movement of the unit.**

Check belt tension every 3 months. Adjust belt tension to allow 3/8 inch to 1/2 inch deflection with normal thumb pressure. Also, align belts using a straight edge against the face of the flywheel and touching the rim on both sides of the face. The belts should be parallel to this straight edge (see Figure 4). Dimension A should be the same as B and C to ensure proper alignment of the belts.

Slots in the bed-plate allow for sliding the motor back and forth to adjust belt tension.

## MAINTENANCE AND INSPECTION INSTRUCTIONS (CONTINUED)

### Storage

If compressor is to be stored for a short period of time, make sure that it is stored in a normal position and in a cool protected area.

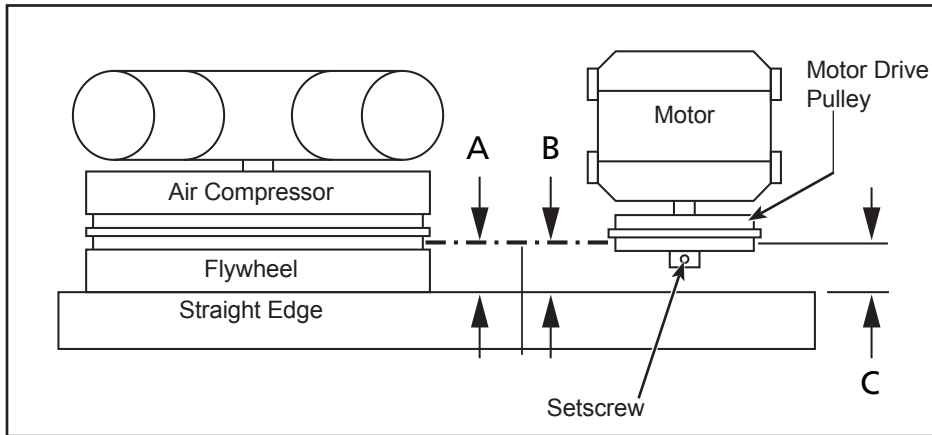


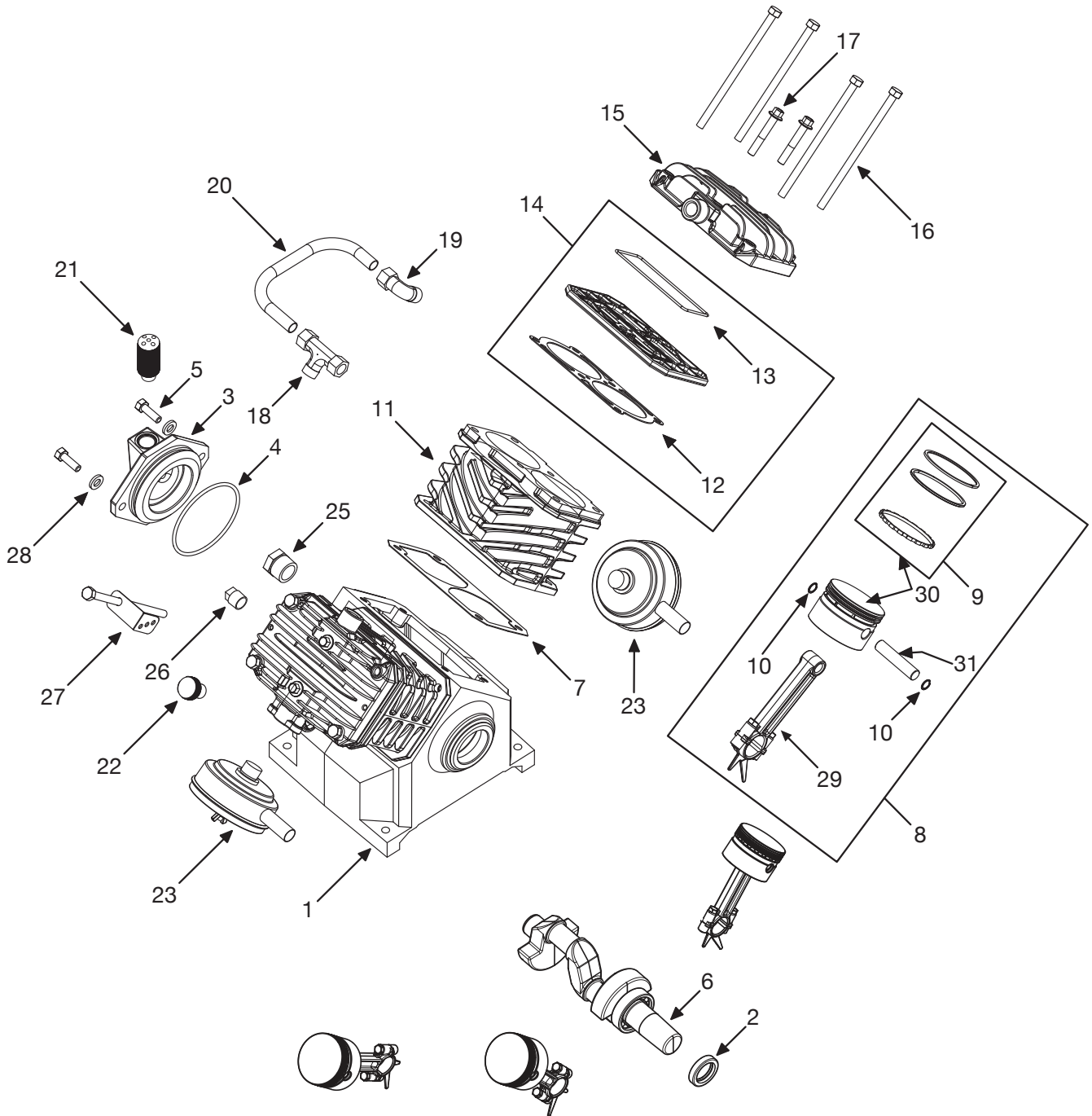
Figure 4 - Top View

### Maintenance Schedule

Operation	Daily	Weekly	Monthly	3 Months
Check Oil Level	●			
Clean or Change Air Filter			●	
Check Intercooler (two-stage compressors only)		●		
Check Belt Tightness				●
Change Oil (see Figure 3)				●
Change Oil Filter (Pressure lubricated pumps only)				●





**REPAIR PARTS ILLUSTRATION FOR 40KH92**

**For Repair Parts, call 1-800-Grainger**  
**24 hours a day – 365 days a year**

Please provide following information:

- Model number
- Serial number (if any)
- Part description and number as shown in parts list

## REPAIR PARTS LIST FOR 40KH92

Ref No	Description	Part Number	Qty
1	Crankcase	TQ010001AV	1
2	Oil Seal	ST120000AV	1
3	Bearing Cap	TQ010201AV	1
4	O-Ring	●	1
5	Hex Head Cap Screw M8 x 1-1/4 inch x 25 mm	†	2
6	Crankshaft and Bearing Assembly	TQ900201AJ	1
7	Crankcase Gasket	●	2
8	Connecting Rod Assembly	■	4
9	Piston Ring Sets (two sets)	VT911200AV ■	2
10	Internal Retaining Ring	■	8
11	Cylinder	VT040915AV	2
12	Cylinder Gasket	●	2
13	Molded O-Ring	●	2
14	Valve Plate Kit	VT470800AJ	2
15	Cylinder Head	▲	2
16	Hex Head Capscrew M8 x 150 mm	▲	8
17	Flange Head Screw	▲	4
18	Exhaust Tee Fitting	TQ901100AV	1
19	Exhaust Elbow Fitting	TQ901200AV	1
20	Exhaust Tube	TQ901300AV	1
21	Breather	VH901100AV	1
22	Oil Fill Plug	VH900800AV	1
23	Air Filter with Element	VH901700AV	2
24 △	Air Filter Element only	VH901800AV	2
25	Sight Glass	VH901000AV	1
26	Pipe Plug 1/4 inch NPT	ST072915AV	1
27	Belt Guard Bracket	TQ012000AV	1
28	Brass Washer	ST070925AV	2
29	Connecting Rod	TQ010901AJ	4
30	Piston with Rings Kit	TQ901700AV	4
31	Wrist Pin Kit (includes #10(2))	TQ901800AV	4
<b>REPLACEMENT PARTS KITS</b>			
▲	Cylinder Head and Fasteners Kit	TQ900800AJ	
■	Connecting Rod / Piston Ring Assembly Kit	TQ901500AV	
●	Gasket Kit	TQ901001AJ	
△	Not Shown		
†	Standard Hardware Item		

## **SPEEDAIRE ONE-YEAR LIMITED WARRANTY**

**SPEEDAIRE ONE-YEAR LIMITED WARRANTY.** All Speedaire® product models covered in this manual are warranted by W.W. Grainger, Inc. ("Grainger") to the original user against defects in workmanship or materials under normal use for one year after date of purchase. If the Speedaire Product is part of a set, only the portion that is defective is subject to this warranty. Any product or part which is determined to be defective in material or workmanship and returned to an authorized service location, as Grainger or Grainger's designee designates, shipping costs prepaid, will be, as the exclusive remedy, repaired or replaced with a new or reconditioned product or part of equal utility or a full refund given, at Grainger's or Grainger's designee's option, at no charge. For limited warranty claim procedures, see "Warranty Service" below. This warranty is void if there is evidence of misuse, mis-repair, mis-installation, abuse or alteration. This warranty does not cover normal wear and tear of Speedaire Products or portions of them, or products or portions of them which are consumable in normal use. This limited warranty gives purchasers specific legal rights, and you may also have other rights which vary from jurisdiction to jurisdiction.

### **WARRANTY DISCLAIMERS AND LIMITATIONS OF LIABILITY RELATING TO ALL CUSTOMERS FOR ALL PRODUCTS**

**LIMITATION OF LIABILITY.** TO THE EXTENT ALLOWABLE UNDER APPLICABLE LAW, GRAINGER'S LIABILITY FOR CONSEQUENTIAL AND INCIDENTAL DAMAGES IS EXPRESSLY DISCLAIMED. 'S LIABILITY IN ALL EVENTS IS LIMITED TO AND SHALL NOT EXCEED THE PURCHASE PRICE PAID.

**WARRANTY DISCLAIMER.** A DILIGENT EFFORT HAS BEEN MADE TO PROVIDE PRODUCT INFORMATION AND ILLUSTRATE THE SPEEDAIRE PRODUCTS IN THIS LITERATURE ACCURATELY; HOWEVER, SUCH INFORMATION AND ILLUSTRATIONS ARE FOR THE SOLE PURPOSE OF IDENTIFICATION, AND DO NOT EXPRESS OR IMPLY A WARRANTY THAT THE SPEEDAIRE PRODUCTS ARE MERCHANTABLE, OR FIT FOR A PARTICULAR PURPOSE, OR THAT THE SPEEDAIRE PRODUCTS WILL NECESSARILY CONFORM TO THE ILLUSTRATIONS OR DESCRIPTIONS. EXCEPT AS PROVIDED BELOW, NO WARRANTY OR AFFIRMATION OF FACT, EXPRESSED OR IMPLIED, OTHER THAN AS STATED IN THE "LIMITED WARRANTY" ABOVE IS MADE OR AUTHORIZED BY GRAINGER.

**PRODUCT SUITABILITY.** MANY JURISDICTIONS HAVE CODES AND REGULATIONS GOVERNING SALES, CONSTRUCTION, INSTALLATION, AND/OR USE OF PRODUCTS FOR CERTAIN PURPOSES, WHICH MAY VARY FROM THOSE IN NEIGHBORING AREAS. WHILE ATTEMPTS ARE MADE TO ASSURE THAT SPEEDAIRE PRODUCTS COMPLY WITH SUCH CODES, GRAINGER CANNOT GUARANTEE COMPLIANCE, AND CANNOT BE RESPONSIBLE FOR HOW THE PRODUCT IS INSTALLED OR USED. BEFORE PURCHASE AND USE OF A PRODUCT, REVIEW THE SAFETY/SPECIFICATIONS, AND ALL APPLICABLE NATIONAL AND LOCAL CODES AND REGULATIONS, AND BE SURE THAT THE SPEEDAIRE PRODUCT, INSTALLATION, AND USE WILL COMPLY WITH THEM.

**CONSUMERS ONLY.** CERTAIN ASPECTS OF DISCLAIMERS ARE NOT APPLICABLE TO CONSUMER PRODUCTS SOLD TO CONSUMERS; (A) SOME JURISDICTIONS DO NOT ALLOW THE EXCLUSION OR LIMITATION OF INCIDENTAL OR CONSEQUENTIAL DAMAGES, SO THE ABOVE LIMITATION OR EXCLUSION MAY NOT APPLY TO YOU; (B) ALSO, SOME JURISDICTIONS DO NOT ALLOW A LIMITATION ON HOW LONG AN IMPLIED WARRANTY LASTS, SO THE ABOVE LIMITATION MAY NOT APPLY TO YOU; AND (C) BY LAW, DURING THE PERIOD OF THIS LIMITED WARRANTY, ANY IMPLIED WARRANTIES OF MERCHANTABILITY OR FITNESS FOR A PARTICULAR PURPOSE APPLICABLE TO CONSUMER PRODUCTS PURCHASED BY CONSUMERS, MAY NOT BE EXCLUDED OR OTHERWISE DISCLAIMED.

THIS LIMITED WARRANTY ONLY APPLIES TO SPEEDAIRE PRODUCTS PURCHASED BY UNITED STATES PURCHASERS FOR DELIVERY IN THE UNITED STATES.

### **WARRANTY SERVICE**

To obtain warranty service if you purchased the covered product directly from W.W. Grainger, Inc. ("Grainger"), (i) write or call or visit the local Grainger branch from which the product was purchased or another Grainger branch near you (see [www.grainger.com](http://www.grainger.com) for a listing of Grainger branches); or (ii) contact Grainger by going to [www.grainger.com](http://www.grainger.com) and clicking on the "Contact Us" link at the top of the page, then clicking on the "Email us" link; or (iii) call Customer Care (toll free) at 1-888-361-8649. To obtain warranty service if you purchased the covered product from another distributor or retailer, (i) go to [www.grainger.com](http://www.grainger.com) for Warranty Service; (ii) write or call or visit a Grainger branch near you; or (iii) call Customer Care (toll free) at 1-888-361-8649. In any case, you will need to provide, to the extent available, the purchase date, the original invoice number, the stock number, a description of the defect and anything else specified in this Speedaire One-Year Limited Warranty. You may be required to send the product in for inspection at your cost. You can follow up on the progress of inspections and corrections in the same ways. Title and risk of loss pass to buyer on delivery to common carrier, so if product was damaged in transit to you, file claim with carrier, not the retailer or Grainger. For warranty information for purchasers and/or delivery outside the United States, please contact:

**W.W. Grainger, Inc.**  
**100 Grainger Parkway, Lake Forest, IL 60045 U.S.A.**  
**or call +1-888-361-8649**



# SPEED-AIR®



## Cabezales para Compresores de Aire

Modelo 40KH92

®

**SPEEDAIRE**

**POR FAVOR, LEA Y GUARDE ESTAS INSTRUCCIONES. LEALAS CUIDADOSAMENTE ANTES DE TRATAR DE MONTAR, INSTALAR, OPERAR O DAR MANTENIMIENTO AL PRODUCTO AQUI DESCRITO.**

**PROTEJASE USTED MISMO Y A LOS DEMAS OBSERVANDO TODA LA INFORMACION DE SEGURIDAD. ¡EL NO CUMPLIR CON LAS INSTRUCCIONES PUEDE OCASIONAR DAÑOS, TANTO PERSONALES COMO A LA PROPIEDAD! GUARDE ESTAS INSTRUCCIONES PARA REFERENCIA EN EL FUTURO.**

**CONSULTE LA CUBIERTA POSTERIOR PARA VER LA INFORMACION DE GARANTIA DE SPEEDAIRE Y OTRA INFORMACION IMPORTANTE.**

**Núm. de Modelo:** \_\_\_\_\_

**Núm. de Serie:** \_\_\_\_\_

**Fecha de Compra:** \_\_\_\_\_

**Formulario 5S7664 / Impreso en EE.UU.**

**Version 0 9/2015**

**© 2013 W.W. Grainger, Inc.**

**Reservados todos los derechos**

**ANTES DE COMENZAR****Introducción**

Esta bomba está diseñada con un sistema de lubricación con aceite que requiere del uso de aceite. Hay una pequeña cantidad de aceite presente en el flujo de aire comprimido. Las aplicaciones que requieran de aire libre de vapores de aceite deben tener instalado el filtro apropiado. La bomba del compresor de aire debe estar montada e instalada de acuerdo con las instrucciones. Cualquier otro uso de estas bombas anulará la garantía y el fabricante no será responsable de los problemas o daños causados por este mal uso.

<b>Referencia Rápida</b>
<b>Aceite Recomendado (2 Opciones)</b>
Aceite no detergente de viscosidad única SAE 30 ISO100 para compresores. Pieza número 1WG50 o 4ZF21.
Aceite sintético 10W30 como Mobil 1® o 1WG49.
<b>Capacidad De Aceite</b>
Aproximadamente 1.18 L (por bomba).

**DESEMPAQUE**

**⚠ PRECAUCION** *Nunca alce o mueva la unidad sin usar un equipo adecuado. Cerciórese de que la unidad esté bien segura. No la tome por los tubos o piezas del sistema de enfriamiento para levantarla. No use la unidad para alzar otros equipos.*

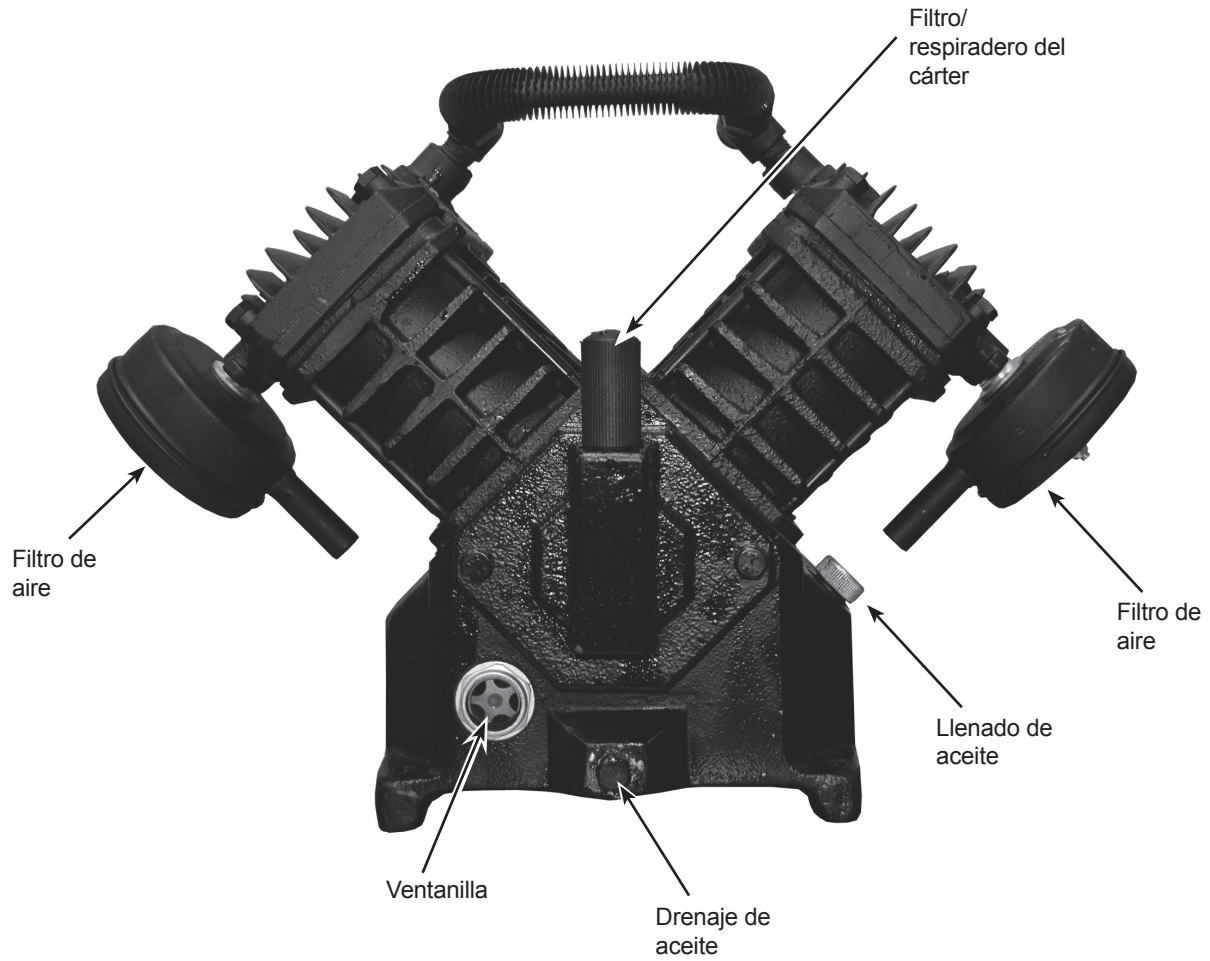
Después de desempacar la unidad, inspecciónela cuidadosamente para detectar cualquier daño que pueda haber ocurrido durante el envío. Verifique que no haya piezas sueltas, faltantes ni dañadas. Asegúrese de que todos los accesorios proporcionados vengan con la unidad. En caso de que tenga preguntas, o de que haya piezas dañadas o faltantes, llame a 1-855-504-5678 para obtener asistencia al cliente.

**⚠ ADVERTENCIA** *No debe utilizar la unidad si se ha dañado durante el envío, manejo o uso. Los daños podrían ocasionar una explosión y ocasionarle heridas o daños a su propiedad.*

**Artículos requeridos - No incluidos**

- Aceite

**Conozca su bomba del compresor de aire**



**Figura 1 - Bomba del compresor de aire**



## INSTRUCCIONES GENERALES DE SEGURIDAD

### Lineamientos de seguridad

Este manual contiene información que es muy importante que se conozca y comprenda. Esta información se proporciona con fines de SEGURIDAD y para EVITAR PROBLEMAS CON EL EQUIPO. Para ayudar a reconocer esta información, observe los siguientes símbolos.



**PELIGRO** Peligro indica una situación inminentemente peligrosa, que si no se evita, dará como resultado la muerte o lesiones graves.



**ADVERTENCIA** Advertencia indica una situación potencialmente peligrosa, que si no se evita, PODRÍA ocasionar la muerte o lesiones graves.



**PRECAUCION** Precaución indica una situación potencialmente peligrosa, que si no se evita, PUEDE dar como resultado lesiones leves o moderadas.

**AVISO**

Aviso indica una información importante, que de no seguirla, le podría ocasionar daños al equipo.

**IMPORTANTE:** información que requiere atención especial.

### Símbolos de Seguridad

Los siguientes símbolos de seguridad aparecen a lo largo de este manual para advertirle de importantes peligros y precauciones de seguridad.



Use protección para los ojos y máscara



Lea primero el manual



Riesgo de piezas móviles



Riesgo de piezas calientes



Riesgo de presión

### Proposición 65 de California



**ADVERTENCIA** Este producto, o su cordón eléctrico, puede contener productos químicos conocidos por el estado de California como causantes de cáncer y defectos de nacimiento u otros daños reproductivos. Lave sus manos después de usar.



**ADVERTENCIA** Cuando corta lija, taladra o pule materiales como por ejemplo madera, pintura, metal, hormigón, cemento, u otro tipo de mampostería se puede producir polvo. Con frecuencia este polvo contiene productos químicos que se conocen como causantes de cáncer, defectos congénitos u otros daños reproductivos. Use equipo de protección.

### Importantes Instrucciones De Seguridad

**Sírvase leer y guardar estas instrucciones. Lea con cuidado antes de tratar de armar, instalar, manejar o darle servicio al producto descrito en este manual. Protéjase Ud. y a los demás observando todas las reglas de seguridad. El no seguir las instrucciones podría resultar en heridas y/o daños a su propiedad. Guarde este manual como referencia.**

Este manual contiene información sobre seguridad, funcionamiento y mantenimiento. Si tiene preguntas, llame al 1-855-504-5678 para obtener asistencia al cliente.

Dado que el compresor de aire y otros componentes (bomba de material, pistolas rociadoras, filtros lubricantes, mangueras, etc.) utilizados forman un sistema de bombeo de alta presión, las siguientes precauciones de seguridad deben cumplirse en todo momento:

**Información Importante de Seguridad (Continuación)****▲ PELIGRO****ADVERTENCIA SOBRE EL AIRE RESPIRABLE**

Este compresor/cabezal no viene listo de fábrica para suministrarle aire respirable. Antes de utilizarlos con este fin, deberá instalarle un sistema de seguridad y alarma incorporado a la línea. Este sistema adicional es necesario para filtrar y purificar el aire adecuadamente, para cumplir con las especificaciones mínimas sobre aire respirable de Grado D descritas en la Especificación de Productos G 7.1 de la Asociación de Aire Compri-mido. Igualmente, deberá cumplir los requisitos establecidos por el Artículo 29 CFR 1910. 134 de la Organización norteamericana OSHA y/o la Canadian Standards Associations (CSA).

**RENUNCIA A LAS GARANTIAS**

Si el compresor se utiliza para producir aire respirable SIN haberle instalado el sistema de seguridad y alarma, todas la garantías se anularán y el fabricante no asumirá NINGUNA responsabilidad por pérdidas, heridas personales o daños.

**Informaciones Generales de Seguridad**

- Lea con cuidado todos los manuales incluidos con este producto. Familiarícese con los controles y el uso adecuado del equipo.
- Siga todos los códigos de seguridad laboral y electricidad establecidos en su país, por ejemplo, los de la NEC y OSHA en EUA.
- Este compresor sólo debe ser usado por personas que estén bien familiarizadas con las reglas de seguridad de manejo.
- Mantenga a los visitantes alejados y NUNCA permita la presencia de niños en el área de trabajo.
- Siempre use anteojos de seguridad y protéjase los oídos para operar el cabezal o el compresor.
- No se encarama sobre el cabezal, ni lo use para sostenerse.
- Antes de cada uso, inspeccione la bomba para detectar señales de daños, deterioro, debilidades o fugas. Repare o reemplace los artículos defectuosos antes de usar.
- Chequee todas las conexiones frecuentemente para cerciorarse de que estén bien apretadas.



**▲ ADVERTENCIA** *Nunca utilice el compresor sin la tapa de las bandas. Los compresores se pueden encender automáticamente sin previo aviso. Las piezas en movimiento podrían ocasionarle heridas o daños a su propiedad.*

- No se ponga ropa muy holgada o joyas, ya que éstas se le podrían enredar en las piezas en movimiento.



**▲ PRECAUCION** *Las piezas del compresor podrían estar calientes, inclusive cuando la unidad esté apagada.*

- Mantenga los dedos alejados del compresor cuando éste esté funcionando; las piezas en movimiento o calientes, le ocasionarían heridas y/o quemaduras.
- Si el equipo comienza a vibrar excesivamente, APAGUE el motor y chequéelo inmediatamente para determinar la razón. Generalmente, la vibración excesiva se debe a una falla.
- Para reducir el peligro de incendio, mantenga el exterior del motor libre de aceite, solventes o exceso de grasa.

**▲ ADVERTENCIA** *DEBE instalarle una válvula de seguridad ASME que esté diseñada para presiones máximas de 13,79 bar para compresores de dos etapas y de 10,34 bar para compresores de una etapa, en las líneas de aire o en el tanque de este compresor. Esta válvula debe estar diseñada para los valores máximos de flujo y presión para proteger los componentes contra el peligro de explosión. Los límites máximos del flujo se indican en el manual de repuestos. La presión máxima del cabezal es 13,79 bar (en el de dos etapas) ó 10,34 bar (en el de una etapa). La válvula de seguridad del sistema de enfriamiento interno no protege el sistema.*

**▲ PRECAUCION** *La presión máxima es 12,07 bar en los compresores de dos etapas y 9,31 bar en los compresores de una etapa. No lo utilice con el presostato o las válvulas del piloto fijadas a presiones mayores de 12,07 bar (dos etapas) ó 9,31 bar (una etapa).*

- La circulación rápida de aire podría levantar polvo y desperdicios dañinos. Siempre libere el aire lentamente para drenar el tanque o liberar la presión del sistema.

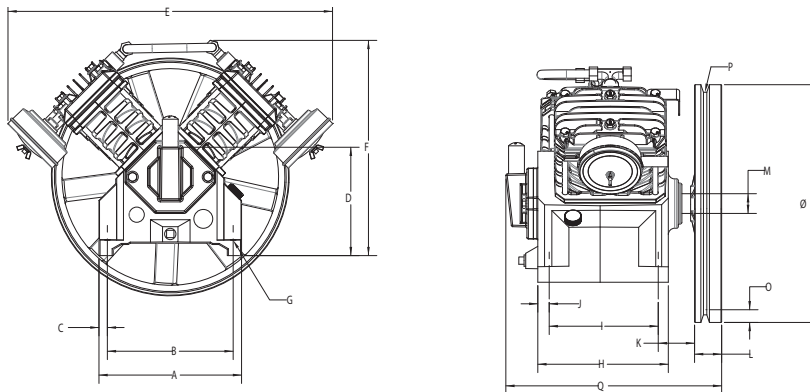
**Guarde Estas Instrucciones –  
No Las Deseche**

Los símbolos de PELIGRO, ADVERTENCIA, PRECAUCIÓN, y AVISO y las instrucciones en este manual no pueden posiblemente cubrir todas las condiciones y situaciones posibles que puedan presentarse. El operador debe entender que la precaución es un factor que no puede ser incluido en el producto, sino que debe ser proporcionada por el operador.

## ESPECIFICACIONES Y DIMENSIONES

### ESPECIFICACIONES

Peso: 19,05 kg



Clave	Descripción	40KH92
A	Ancho de la base	21.59 cm
B	Dist. entre los pernos	19.05 cm
C	Dist. entre perno-borde	1.27 cm
D	Base al centro del eje	16.41 cm
E	Ancho total	49.15 cm
F	Alt. total	32.59 cm
G	Diám. orificio de los pernos	0.86 cm
H	Profundidad de la base	19.76 cm
I	Dist. entre los pernos (Vert.)	16.51 cm
J	Distancia entre el perno/borde	1.73 cm
K	Dist. máx. entre perno/volante	5.51 cm
L	Ancho del volante	4.09 cm
M	Diámetro de la manivela	3.00 cm
N	Diámetro del volante	35.99 cm
O	Paso del volante	1.93 cm
P	Ranuras del volante	Ranura para banda única de sección en A
Q	Profundidad total	32.69 cm

## INSTALACIÓN

**⚠ PRECAUCION** *Nunca alce o mueva la unidad sin usar un equipo adecuado. Cerciórese de que la unidad esté bien segura. No la tome por los tubos o piezas del sistema de enfriamiento para levantarla. No use la unidad para alzar otros equipos.*

**NOTA:** Cuando utilice el compresor en un ambiente cálido y húmedo le debe suministrar aire limpio y seco del exterior al cabezal. Utilice una tubería para suministrarle el aire del exterior. Sólo en los compresores de dos etapas: use el juego de adaptadores (TF060502AV) para conectar las tuberías al compresor. Las unidades de dos etapas de 10 y 15 CP requieren dos juegos de adaptadores.

### Montura de la bomba

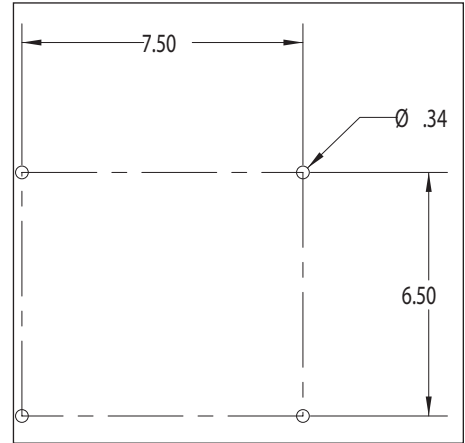
40KH92 requiere de un perno de montura de 7.9 mm (5/16 pulg). Los pernos con torque apropiada de 7.9 mm (5/16 pulg) se aprietan con un torque de 1.66 kg m (166.04 kg cm).

### Dirección De Rotacion

**NOTA:** La rotación incorrecta reduciría la duración de la unidad.

La dirección de la rotación debe ser en sentido contrario al de las agujas del reloj (como muestra la flecha en el volante) al estar parado al frente del cabezal en el mismo lado del volante. La instrucciones para el alambrado para la rotación en sentido contrario al de las agujas del reloj aparecen en la placa del motor.

La dirección adecuada de rotación es sumamente importante. La dirección de rotación de los motores trifásicos se puede cambiar con solo intercambiar dos de los cables del motor. Para los motores monofásicos, vea las instrucciones en la placa del motor.



**Figura 2 - Patrón de montura de la bomba**

## Lubricacion

**⚠ PRECAUCION** *ESTA UNIDAD NO TIENE ACEITE. Antes de utilizar el compresor. Llene hasta el centro del calibrador visual (ver Figura 3).*

**⚠ PRECAUCION** *Si utiliza cualquier otro tipo de aceite podría disminuir la duración del cabezal y dañar las válvulas.*

### Aceite Recomendado (2 opciones)

Aceite no detergente para compresor de una sola viscosidad SAE 30 ISO100 Número de parte 1WG50 o 4ZF21.

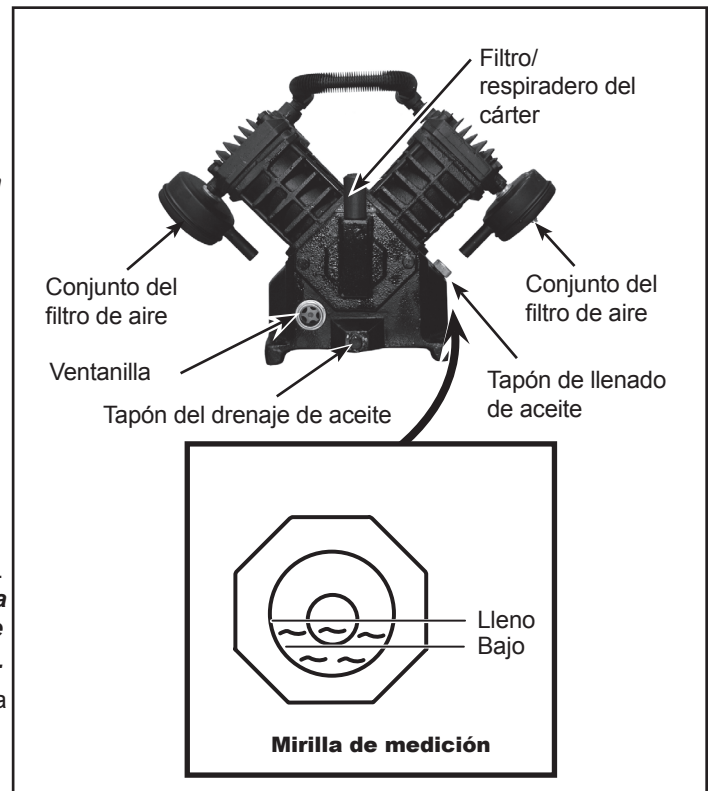
Aceite sintético 10W30 como el Mobil 1® o 1WG49.

### Capacidad de Aceite

Aproximadamente 1.18 L (por bomba).

Llene la bomba con aceite hasta el centro del calibrador visual usando la abertura de llenado de aceite (ver Figura 3). **NO llene la bomba a través de la abertura de la tapa de la válvula de aire ya que esto podría causar una pérdida de aceite y que la misma rociara durante el funcionamiento.**

**NOTA:** puede haber algo de aceite residual aún en la bomba por las pruebas realizadas en la fábrica que dejan una capa fina en el calibrador visual, sin embargo, no hay aceite suficiente para hacer funcionar la unidad.



**Figura 3 - Lubricacion**

## FUNCIONAMIENTO

**IMPORTANTE:** Chequee la rotacion del motor antes de utilizar el compresor.

Todos los cabezales que requieren lubricación expulsan agua condensada y aceite con el aire comprimido. Por lo tanto, en ciertos casos, deberá instalar le filtros adecuados para eliminar agua/aceite.

**AVISO**

***Si no le instala los filtros adecuados para eliminar el agua/aceite podría ocasionarle daños a la maquinaria o pieza de trabajo.***



### **Proteccion**

**▲ ADVERTENCIA**

***Debe instalarse una guarda para banda antes de operar esta unidad.***

Todas las piezas que se mueven deben estar protegidas con una tapa. Debe colocarle todas las tapas al sistema eléctrico antes de encender el compresor.

### **Periodo De Uso Inicial Recomendado**

El compresor debe operar continuamente durante una hora al menos a 6,9 bar para permitir que los anillos del pistón se asienten apropiadamente.

**IMPORTANTE:** Cámbiele el aceite después de 50 horas de operación.

### **Funcionamiento continuo**

Para utilizar este compresor en forma continua le debe instalar una válvula de carga separada, por ejemplo, una válvula Genie entre el cabezal y el tanque. Igualmente, debe desconectarle la válvula de chequeo original.

### **Respirador de la caja del cigüeñal**

Durante condiciones severas de funcionamiento o al encenderlo por primera vez, podría crearse una acumulación de aceite en el orificio del respirador de la caja del cigüeñal. Ésto es normal y disminuirá con el uso, ya que los anillos se fijarán.

### **HUMEDAD EN EL AIRE COMPRIMIDO**

La humedad que se acumula en el aire comprimido se convierte en gotas a medida que sale del cabezal del compresor de aire. Cuando el nivel de humedad es muy alto o cuando el compresor ha estado en uso continuo por mucho tiempo, ésta se acumulará en el tanque. Al usar una pistola pulverizadora de pintura o una rociadora de arena, la misma saldrá a través de la manguera mezclada con el material que esté rociando.

**IMPORTANTE:** Esta condensacion ocasionara manchas en la superficie pintada, especialmente cuando este pulverizando pinturas que no sean a base de agua. Al rociar arena esta ocasionara que la arena se aglutine y obstruya la pistola, reduciendo su eficacia. Para eliminar este problema, coloque un filtro en la línea de aire, lo más cerca posible de la pistola.

## GUÍA DE DIAGNÓSTICO DE PROBLEMAS PARA INSTALACIONES NUEVAS

Problema	Causa	Solución
La unidad no arranca, el motor no hace ruido	1. Energía insuficiente al compresor	1. La fuente de energía eléctrica al compresor es del voltaje incorrecto, el tamaño del cable no es lo suficientemente grande para transportar la carga, la caja de fusibles o la caja del interruptor no es suficiente para transportar los requisitos de carga hacia el compresor.
	2. La unidad está mal cableada	2. Consulte a un electricista calificado.
	3. Voltaje incorrecto suministrado a la unidad	3. Consulte a un electricista calificado.
	4. Conexiones eléctricas sueltas	4. El sistema eléctrico completo debe ser verificado por un electricista certificado. Los cables entrantes y las conexiones eléctricas del compresor deben revisarse. Las conexiones sueltas provocarán funcionamientos defectuosos.
	5. Cableado de tamaño incorrecto	5. Verifique que el tamaño de los cables esté calificado para la corriente del compresor. Los códigos estatales y locales varían ampliamente y deben revisarse antes de la instalación.
	6. Fusible quemado y/o disyuntor disparado	6. El disyuntor y fusibles necesarios para esta unidad deben tener retraso. Un disyuntor disparado o fusible quemado puede ser resultado de una conexión directa a tierra, un alto consumo de corriente, cableado inadecuado, tamaño y/o tipo incorrecto de fusible o disyuntor. Esto debe evaluarlo un centro de servicio o un electricista certificado.
	7. Disparo del encendido por sobrecarga	7. Verifique y reinicie si es necesario. Si la sobrecarga se dispara tras el reinicio inicial, consulte la sección siguiente "disparo del reinicio en el arrancador".
La unidad no arranca	1. La unidad está mal cableada	1. Consulte a un electricista calificado.
	2. Voltaje incorrecto	2. Asegúrese de que el voltaje corresponda con el cableado del motor.
	3. Conexiones eléctricas sueltas	3. El sistema eléctrico completo debe ser verificado por un electricista certificado. Los cables entrantes y las conexiones eléctricas del compresor deben revisarse. Las conexiones sueltas provocarán funcionamientos defectuosos.
El botón de reinicio del motor se dispara o el reinicio se dispara y enciende el encendido	1. La unidad está mal cableada	1. Controle el voltaje, el tamaño de los cables, etc. Este problema debe evaluarse y corregirse.
	2. Voltaje incorrecto	2. Asegúrese de que el voltaje corresponda con el cableado del motor.
	3. Cableado de tamaño incorrecto	3. Verifique y asegúrese de que el tamaño de los cables esté calificado para la corriente del compresor. Verifique que el tamaño de los cables esté calificado para la corriente del compresor. Los códigos estatales y locales varían ampliamente y deben revisarse antes de la instalación.
La unidad arranca pero no alcanza su velocidad máxima	1. Energía insuficiente al compresor	1. La fuente de energía eléctrica al compresor es del voltaje incorrecto, el tamaño del cable no es lo suficientemente grande para transportar la carga, la caja de fusibles o la caja del interruptor no es suficiente para transportar los requisitos de carga hacia el compresor.
	2. Conexiones eléctricas sueltas	2. El sistema eléctrico completo debe ser verificado por un electricista certificado. Los cables entrantes y las conexiones eléctricas del compresor deben revisarse. Las conexiones sueltas provocarán funcionamientos defectuosos.
La unidad no expulsa o expulsa muy poco aire	1. Válvula de drenaje abierta	1. Asegúrese de que la válvula de drenaje en la parte inferior del tanque esté cerrada.
	2. Pérdida de aire	2. Revise el sistema completo en busca de pérdidas, incluyendo la unidad del compresor y cualquier tubería conectada al compresor.
	3. Entrada limitada o bloqueada	3. Asegúrese de que la entrada de aire del compresor no esté bloqueada de modo alguno.

*Continúa en la página siguiente*

## GUÍA DE DIAGNÓSTICO DE PROBLEMAS PARA INSTALACIONES NUEVAS (CONTINUACIÓN)

Problema	Causa	Solución
La unidad funciona pero con mucho ruido	1. Compresor dañado	1. Asegúrese de que todos los componentes del conjunto del compresor de aire estén instalados apropiadamente.
	2. Sujetadores flojos	2. Revise todos los pernos y tuercas para asegurarse de que no se aflojaron durante el envío.
	3. Volante o polea flojos	3. Revise para asegurarse que la polea y el volante estén correctamente ajustados.
	4. Instalación incorrecta	4. Si la unidad se deja sobre el calzo puede provocar vibraciones excesivas. Quite la unidad del calzo y móntela floja al piso con almohadillas para vibración y pernos de anclaje. No ajuste los pernos en exceso. Deje la tuerca floja a aproximadamente 3,2 mm del pie del compresor.
Aceite en el aire de descarga o en el respirador exterior de la caja del cigüeñal	1. Período de ablandamiento	1. Algo de aceite en el escape es normal durante el período de ablandamiento y durante el uso intensivo luego del período de ablandamiento. La descarga de aceite debe disminuir a medida que la unidad acumule horas de uso.
	2. Tipo de aceite incorrecto	2. No utilice aceite de tipo automotriz SAE-30. Usar el aceite incorrecto puede causar problemas con la bomba y anular la garantía. Use solamente los aceites recomendados en el manual de funcionamiento (vea la sección Lubricación).
	3. Entorno inadecuado	3. La unidad no debe ser instalada en un área con poco ventilada ni debe ser expuesta a condiciones extremas de frío o calor. El rango normal de funcionamiento debe ser de entre 32 °F y 100 °F (0 °C a 37,7 °C).
El compresor parece calentarse	Rotación incorrecta	Verifique para asegurarse de que el compresor esté funcionando en la dirección de la flecha del volante. El flujo de aire debe ser tal que el volante dirija el aire a través del cabezal de la bomba. Si se pone de pie en frente del compresor (el lado que no tiene el protector de la correa) el aire debe fluir de atrás hacia adelante.

## GUÍA DE DIAGNÓSTICO DE PROBLEMAS PARA UNIDADES EN SERVICIO POR UN PERÍODO DE TIEMPO

Problema	Causa	Solución
El motor no funciona	1. Conexiones eléctricas sueltas	1. El sistema eléctrico completo debe ser verificado por un electricista certificado. Los cables entrantes y las conexiones eléctricas del compresor deben revisarse. Las conexiones sueltas provocarán funcionamientos defectuosos.
	2. Fusible quemado y/o disyuntor disparado	2. El disyuntor y fusibles necesarios para esta unidad deben ser con retraso. Un disyuntor disparado o fusible quemado puede ser resultado de una conexión directa a tierra, un alto consumo de corriente, cableado inadecuado, tamaño y/o tipo incorrecto de fusible o disyuntor. Esto debe evaluarlo un centro de servicio o un electricista certificado.
	3. Disparo del encendido por sobrecarga	3. Verifique y reinicie si es necesario. Si la sobrecarga se dispara tras el reinicio inicial, consulte la sección "Guía de solución de problemas para instalaciones nuevas".
	4. Condensador de arranque defectuoso	4. Verifique y cambie (si fuera necesario) el condensador de arranque defectuoso.
	5. Arranque magnético defectuoso	5. Primero verifique si existe algún cable suelto y ajústelo si así fuera. Verifique y cambie (si fuera necesario) el arranque magnético defectuoso.
El motor zumba; el motor presenta un gran consumo de amperaje, se dispara una sobrecarga, se dispara el disyuntor o si salta un fusible al iniciarlo	1. Válvula de descarga del presostato defectuosa	1. Drene toda la presión del tanque. Vuelva a encender el compresor sin carga. Si el compresor puede iniciarse, entonces debe verificar la válvula de descarga. Si no se corrige el problema hará fallar al motor y/o a otros componentes eléctricos.
	2. Válvula de retención defectuosa – pérdida constante de presión en el tanque	2. Determine si la válvula de retención está funcionando correctamente, la válvula de descarga del presostato debería dejar de silbar luego de apagado el compresor. Si el silbido continúa y existe una pérdida constante de presión en el tanque entonces la válvula de retención no está funcionando correctamente. Cambie la válvula de retención
	3. Conexiones eléctricas sueltas	3. El sistema eléctrico completo debe ser verificado por un electricista certificado. Los cables entrantes y las conexiones eléctricas del compresor deben revisarse. Las conexiones sueltas provocarán funcionamientos defectuosos.
	4. Condensador de arranque defectuoso	4. Verifique y cambie (si fuera necesario) el condensador de arranque defectuoso.
	5. Problema de la válvula o junta rota	5. Verifique la junta y cámbiela si fuera necesario. Otros síntomas tienen lugar cuando una válvula no está sellando o cuando se rompió una junta como por ejemplo un mayor consumo de amperaje lo cual puede disparar el disyuntor.
El compresor funciona pero acumula presión lentamente	1. Pérdida de aire	1. Revise el sistema completo en busca de pérdidas, incluyendo la unidad del compresor y cualquier tubería conectada al compresor.
	2. Filtro de aire sucio	2. Se deben cambiar los filtros de aire regularmente basándose en el uso y en el entorno. Un filtro sucio puede parecer limpio. Cambie los filtros a menudo.
	3. Problema de la válvula o junta rota	3. Verifique la junta y cámbiela si fuera necesario. Otros síntomas tienen lugar cuando una válvula no está sellando o cuando se rompió una junta como por ejemplo un mayor consumo de amperaje lo cual puede disparar el disyuntor.
	4. Tanque rajado	4. Cambie el tanque. <b>La unidad no debe ponerse en funcionamiento bajo ninguna condición.</b> Los tanques no pueden soldarse ni emparcharse.
La válvula de seguridad intermedia salta cuando la unidad está en funcionamiento	1. Válvula o junta desgastado 2. Baja torsión de los pernos de cabezal 3. Válvula de seguridad intermedia defectuosa	1. Compruebe y sustituya la válvula o las juntas según sea necesario. 2. Verifique y vuelva a ajustar los pernos de cabezal hasta la torsión especificada. 3. Cambie la válvula de seguridad intermedia. Bajo ninguna circunstancia enchufe el puerto de la válvula de seguridad
Respirador de salida del aceite	1. Anillos gastados o cilindro rayado	1. Cambie los anillos y/o cambie el cilindro.
	2. El compresor se calienta	2. Asegúrese de que el compresor esté funcionando con la rotación correcta. El compresor debe estar limpio y en un área con buena ventilación. El aceite debe cambiarse en intervalos regulares según las especificaciones mencionadas en el manual. Se debe cambiar el filtro cuando se ensucie.

Continúa en la página siguiente



## GUÍA DE DIAGNÓSTICO DE PROBLEMAS PARA UNIDADES EN SERVICIO POR UN PERÍODO DE TIEMPO (CONTINUACIÓN)

Problema	Causa	Solución
Aceite lechoso en la caja del cigüeñal	1. Poco uso del compresor, el agua se condensa en la caja del cigüeñal	1. Haga funcionar el compresor de continuo durante 1 hora. El calor generado durante este período de funcionamiento evaporará la humedad del aceite.
	2. Tipo de aceite incorrecto	2. No utilice aceite de tipo automotriz SAE-30. Usar el aceite incorrecto puede causar varios problemas con la bomba y anular la garantía. Use solamente los aceites recomendados en el manual de funcionamiento.
	3. Entorno inadecuado	3. La unidad no debe ser instalada en un área con poco ventilada ni debe ser expuesta a condiciones extremas de frío o calor. El rango normal de funcionamiento debe ser de entre 32 °F y 100 °F (0 °C a 37,7 °C).
	4. Rotación incorrecta	4. Verifique para asegurarse de que el compresor esté funcionando en la dirección de la flecha del volante. El flujo de aire debe ser tal que el volante dirija el aire a través del cabezal de la bomba. Si se pone de pie en frente del compresor (el lado que no tiene el protector de la correa) el aire debe fluir de atrás hacia adelante.
	5. Leve pérdida de la válvula de retención del tanque	5. El aire se enfría y se condensa, luego vuelve a gotear en la bomba. Drenar el tanque luego del uso normalmente solucionará esta situación.
El presostato libera aire continuamente del la válvula de descarga.	Válvula de retención defectuosa.	Cambie la válvula de retención.
El presostato no libera aire cuando se apaga el compresor.	La válvula de descarga del presostato no está funcionando correctamente.	Drene toda la presión del tanque. Vuelva a encender el compresor sin carga. Si el compresor puede iniciarse, entonces debe verificar la válvula de descarga. Si no se corrige el problema hará fallar al motor y/o a otros componentes eléctricos.
El compresor no se apaga	1. Presostato defectuoso 2. Válvula de seguridad defectuosa	1. Configuración demasiado alta. Reemplace el presostato. 2. Asegúrese de que el manómetro esté leyendo correctamente y si fuera necesario reemplace la válvula de seguridad del tanque.
La unidad vibra excesivamente	1. Sujetadores flojos	1. Esto incluye los pernos de montaje de la bomba, el motor, el protector de la correa, el arranque magnético, etc. Como parte del calendario de mantenimiento de rutina verifique que no existan sujetadores flojos. Ajuste todos los sujetadores flojos.
	2. Polea floja, correa floja o poleas desalineadas.	2. Es posible que con el tiempo sea necesario ajustar la polea y la correa. Es posible que sea necesario volver a alinear las poleas para asegurar un desgaste adecuado de la correa y una menor vibración. Las mismas deben ser verificadas como parte del mantenimiento habitual.
	3. Bomba defectuosa	3. Una bomba defectuosa implica una bomba que golpea o hace ruidos que no son normales al diseño de la bomba. Una gran cantidad de aceite saliendo del respirador indica desgaste del anillo o del cilindro. Un bajo rendimiento de la bomba podría indicar problemas de válvula. Existen numerosos síntomas asociados con una bomba defectuosa. Deberá evaluarse la bomba.
Agua en el aire de descarga	1. Clima caluroso y húmedo	1. Durante clima caluroso y húmedo es normal que se acumule agua en el tanque del compresor. Esto es normal y requiere que el tanque se drene frecuentemente. Recomendamos el uso de un drenaje automático junto con filtros y secadoras si esto fuera un problema.
	2. Agua acumulada en el tanque	2. Drenar el agua del tanque evita la corrosión del tanque y el desgaste de la herramienta neumática. Se recomienda el uso de un drenaje automático junto con los filtros y secadoras para evitar que el agua ingrese a la salida del compresor.

Continúa en la página siguiente

**GUÍA DE DIAGNÓSTICO DE PROBLEMAS PARA UNIDADES EN SERVICIO POR UN PERÍODO DE TIEMPO (CONTINUACIÓN)**

Problema	Causa	Solución
Aceite en el aire de descarga	<ol style="list-style-type: none"><li>1. Filtro de entrada limitado</li><li>2. Tipo de aceite incorrecto</li><li>3. Anillos gastados o cilindro rayado</li><li>4. El compresor se calienta</li></ol>	<ol style="list-style-type: none"><li>1. Se debe cambiar el filtro frecuentemente para evitar posibles problemas y para hacer que el funcionamiento del compresor sea eficiente. En la entrada del compresor se crea un vacío, el cual causa un gran consumo de aceite llevando el aceite a través de los anillos. También existe la posibilidad de que el medio de filtro se haya destruido, permitiendo que los contaminantes ingresen por la entrada y causen problemas de desgaste.</li><li>2. No utilice aceite de tipo automotriz SAE-30. Usar el aceite incorrecto puede causar varios problemas con la bomba y anular la garantía. Use solamente los aceites recomendados en el manual de funcionamiento.</li><li>3. Cambie los anillos y/o cambie el cilindro.</li><li>4. Asegúrese de que el compresor esté funcionando con la rotación correcta. El compresor debe estar limpio y en un área con buena ventilación. El aceite debe cambiarse en intervalos regulares según las especificaciones mencionadas en el manual. Se debe cambiar el filtro cuando se ensucie.</li></ol>

## INSTRUCCIONES DE MANTENIMIENTO E INSPECCIÓN



**⚠ ADVERTENCIA** *Desconecte el cordón eléctrico, amárrelo y aléjelo del tomacorrientes, después libere toda la presión del tanque antes de tratar de instalar el compresor, darle servicio, moverlo de sitio o darle cualquier tipo de mantenimiento.*

Para mantener el funcionamiento eficiente del sistema del compresor, chequee el filtro de aire y mida el nivel del aceite antes de cada uso. La válvula de seguridad ASME también se debe chequear a diario. Hále el anillo de la válvula de seguridad y déjelo que regrese de nuevo en su posición original. Esta válvula automáticamente libera el aire del tanque, si la presión excede el nivel máximo fijado de fábrica. Si hay una fuga de aire después que ha soltado el anillo, o si la válvula está atascada y no la puede activar con el anillo, deberá reemplazar la válvula de seguridad ASME.

### **Lubricación del Compresor**

Consulte Instalación Añada aceite cuando sea necesario. Debe cambiar el aceite cada 3 meses o después de 500 horas de funcionamiento; lo que ocurra primero.

### **Filtro de aire**

Nunca utilice el cabezal del compresor sin instalarle el filtro de la entrada de aire o con un filtro obstruido. Use aire comprimido para limpiar el filtro. No lave ni lubrique el elemento del filtro. Si no puede limpiarlo con aire comprimido, deberá reemplazarlo. Si utiliza el compresor con el filtro sucio, podría aumentar el consumo de aceite y la contaminación con aceite del aire expulsado.

### **Sistema de enfriamiento Interno**

**⚠ PRECAUCION** *Las altas del sistema de enfriamiento interno son afiladas, use siempre guantes y tenga mucho cuidado cuando vaya a limpiar o trabajar cerca de ellas.*

Semanalmente, chequee el sistema de enfriamiento para cerciorarse de que todas las conexiones estén bien apretadas. Limpie toda la suciedad, polvo y otras acumulaciones de las aletas del interrefrigerador.

### **Componente**

Desconecte la corriente y limpie el cabezal del cilindro, el motor, las paletas del ventilador, las líneas de aire, el interrefrigerador y el tanque mensualmente.

### **Correa**

**⚠ ADVERTENCIA** *Apague el compresor, cerciórese de que el interruptor no se pueda activar y después libere la presión del tanque, para evitar que la unidad se mueva sin previo aviso.*

Chequee la tensión de las bandas cada 3 meses. Ajuste la tensión de las bandas para permitir una deflexión de 0,9 a 1,2 cm (3/8 inch - 1/2 inch) al ejercer una presión normal con el dedo. Igualmente, debe alinear las bandas usando como referencia un objeto recto que toque el volante y dos puntos del borde a ambos lados del volante. Las bandas deben estar paralelas a esta línea recta de referencia (vea la Figura 4). Las distancias A, B y C deben ser iguales para asegurar que las bandas estén alineadas adecuadamente. Las ranuras en la base le permiten mover el motor, en ambas direcciones, para ajustar la tensión de las bandas.

### ALMACENAMIENTO

Si necesita almacenar el compresor por un período corto, cerciúrese de colocarlo en una posición normal en un área fría y bien protegida.

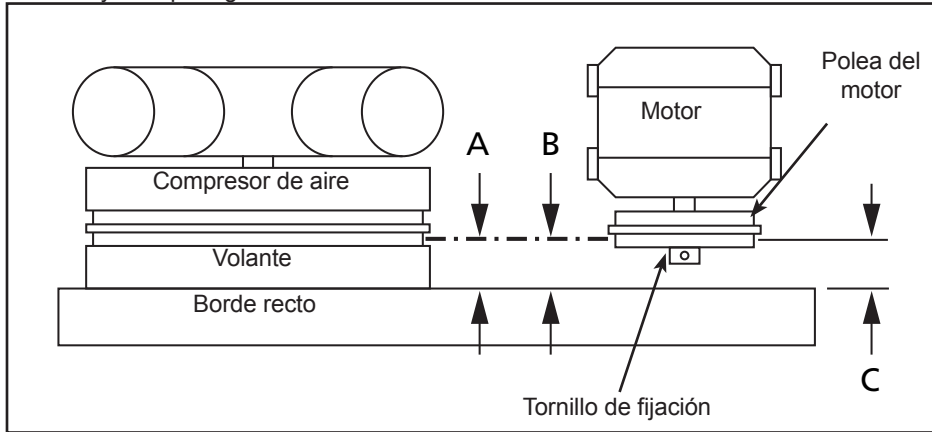


Figura 4 - Vista superior

### PLANIFICACIÓN DEL MANTENIMIENTO

Servicio Necesario	Diariamente	Semanalmente	Mensualmente	Trimestralmente
Mida el nivel de aceite	●			
Limpie o cambie el filtro de aire			●	
Chequee el sistema de enfriamiento interno (sólo en los compresores de 2 etapas)		●		
Chequee la tensión de las bandas				●
Cambie el aceite (Vea la Figura 3)				●
Cambie el filtro de aceite (Solo en los modelos de lubricación a presión)				●



## ILUSTRACION DE LAS PARTES DE REPARACION PARA LOS MODELO 40KH92

PARA COMENZAR

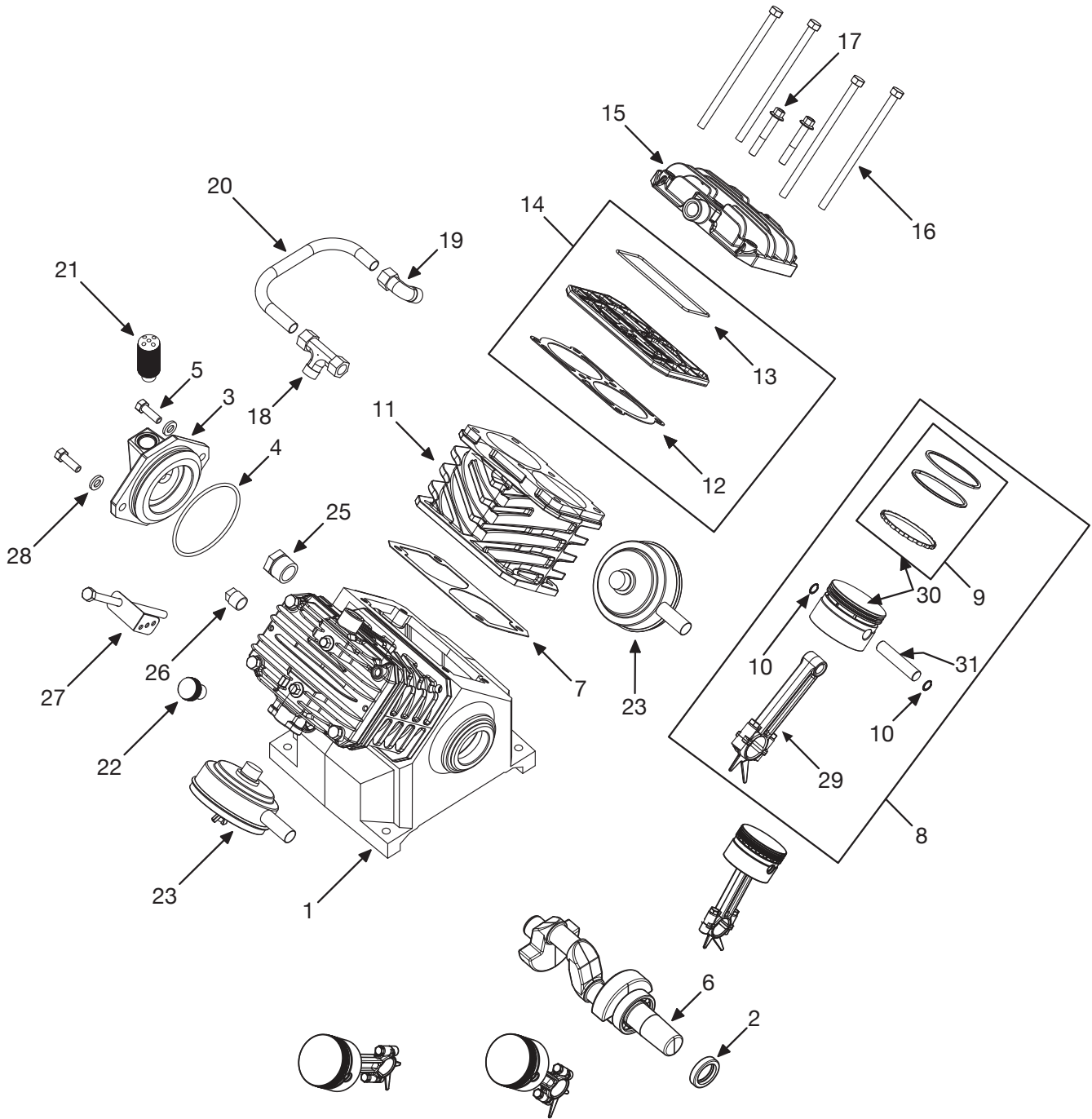
SEGURIDAD /  
ESPECIFICACIONES

MONTAJE / INSTALACION

OPERACION

IDENTIFICACION  
DE PROBLEMAS

MANTENIMIENTO  
/ REPARACION



**Para Obtener Partes de Reparación  
en México llame al 001-800-527-2331  
en EE.UU. llame al 1-800-Grainger**

**24 horas al día, 365 días al año**

Por favor proporcione la siguiente información:

- Número de modelo
- Número de serie (si lo tiene)
- Descripción de la parte y número que le corresponde en la lista de partes

## LISTA DE PARTES DE REPARACION PARA LOS MODELO 40KH92

No. de Ref.	Descripción	Número de Parte:	Cant.
1	Caja del cigüeñal	TQ010001AV	1
2	Sello del sistema de lubricación	ST120000AV	1
3	Tapa de los cojinetes	TQ010201AV	1
4	Anillo en O	●	1
5	Tornillo de cabeza hexagonal M8 x 3,18 cm x 25 mm	†	2
6	Cigüeñal y ensamblaje del cojinete	TQ900201AJ	1
7	Empaque de la caja del cigüeñal	●	2
8	Ensamblaje de la barra conectora	■	4
9	Juego de anillos del pistón (dos juegos)	VT911200AV ■	2
10	Anillo de retención interno	■	8
11	Cilindro	VT040915AV	2
12	Junta del cilindro	●	2
13	Anillo en O moldeado de sección	●	2
14	Kit de placa de válvula	VT470800AJ	2
15	Cabeça do cilindro	▲	2
16	Tornillo de cabeza hexagonal M8 x 150 mm	▲	8
17	Tornillo de cabeza con pestaña	▲	4
18	Conexión en T de salida	TQ901100AV	1
19	Conexión acodada de salida	TQ901200AV	1
20	Tubo de escape	TQ901300AV	1
21	Respiradero	VH901100AV	1
22	Tapón del orificio de llenado de aceite	VH900800AV	1
23	Filtro de aire con elemento	VH901700AV	2
24	△ Elemento del filtro de aire únicamente	VH901800AV	2
25	Ventanilla	VH901000AV	1
26	Tapón de la tubería de 6,4 mm (1/4 pulg.) NPT	ST072915AV	1
27	Soporte de protector de correa	TQ012000AV	1
28	Arandela de bronce	ST070925AV	2
29	Barra conectora	TQ010901AJ	4
30	Pistón con juego de anillos	TQ901700AV	4
31	Juego de pasadores de articulación (incluye N.º 10 (2))	TQ901800AV	4
<b>JUEGOS DE REPUESTOS</b>			
▲	Culata del cilindro y kit de sujetadores	TQ900800AJ	
■	Juego del ensamble de biela / anillo del pistón	TQ901500AV	
●	Juego de empaques	TQ901001AJ	
△	No se muestra		
†	Artículo estándar de ferretería		

## **GARANTIA LIMITADA DE SPEEDAIRE POR UN AÑO**

**GARANTIA LIMITADA DE SPEEDAIRE POR UN AÑO.** W.W. Grainger (“Grainger”) le garantiza al usuario original que todos los modelos de los productos Speedaire® tratados en este manual están libres de defectos en la mano de obra o el material, cuando se les somete a uso normal, por un año a partir de la fecha de compra. Si el producto Speedaire es parte de un juego, sólo la parte defectuosa está sujeta a esta garantía. Cualquier producto o parte que se halle defectuoso, ya sea en el material o en la mano de obra, y sea devuelto (con los costos de envío pagados por adelantado) a un centro de servicio autorizado designado por Grainger o por una entidad designada por Grainger, será reparado o reemplazado (no existe otra posibilidad) por un producto o parte nuevo o reacondicionado de igual uso o se le reembolsará el costo total, según lo determine Grainger o una entidad designada por Grainger, libre de costo. Para obtener información sobre los procedimientos de reclamo cubiertos en la garantía limitada, vea la sección “Servicio de Garantía” que aparece más adelante. Se anulará esta garantía si se detecta evidencia de mal uso, reparación defectuosa, instalación defectuosa, abuso o modificación. Esta garantía no cubre desgaste y ruptura normal de los productos Speedaire o parte de los mismos, o productos o partes de los mismos que se pueden utilizar durante uso normal. Esta garantía limitada les otorga a los compradores derechos legales específicos y también puede usted tener otros derechos que varíen de jurisdicción a jurisdicción.

### **EXCLUSIÓN DE RESPONSABILIDAD DE LA GARANTÍA Y LÍMITES DE RESPONSABILIDAD RELACIONADOS A TODOS LOS CLIENTES PARA TODOS LOS PRODUCTOS**

**LÍMITES DE RESPONSABILIDAD.** EN LA MEDIDA EN QUE LAS LEYES APLICABLES LO PERMITAN, LA RESPONSABILIDAD DE GRAINGER POR LOS DAÑOS EMERGENTES O INCIDENTALES ESTA EXPRESAMENTE EXCLUIDA. LA RESPONSABILIDAD DE GRAINGER EXPRESAMENTE ESTA LIMITADA Y NO PUEDE EXCEDER EL PRECIO DE COMPRA PAGADO POR EL ARTICULO.

**EXCLUSIÓN DE RESPONSABILIDAD DE LA GARANTÍA.** SE HA HECHO UN ESFUERZO DILIGENTE PARA PROPORCIONAR INFORMACION E ILUSTRACIONES APROPIADAS SOBRE LOS PRODUCTOS SPEEDAIRE EN ESTE MANUAL; SIN EMBARGO, ESTA INFORMACION Y LAS ILUSTRACIONES TIENEN COMO UNICO PROPOSITO LA IDENTIFICACION DE LOS PRODUCTOS Y NO EXPRESAN NI IMPLICAN GARANTIA DE QUE LOS PRODUCTOS SPEEDAIRE SEAN VENDIBLES O ADECUADOS PARA UN PROPOSITO EN PARTICULAR NI QUE SE AJUSTAN NECESARIAMENTE A LAS ILUSTRACIONES O DESCRIPCIONES. CON EXCEPCION DE LO QUE SE ESTABLECE A CONTINUACION, GRAINGER NO HACE NI AUTORIZA NINGUNA GARANTIA O AFIRMACION DE HECHO, EXPRESA O IMPLICITA, QUE NO SEA ESTIPULADA EN LA “GARANTIA LIMITADA” ANTERIOR.

**ADAPTACION DEL PRODUCTO.** MUCHAS JURISDICCIONES TIENEN CODIGOS O REGULACIONES SOBRE LA VENTA, EL DISEÑO, LA INSTALACION Y/O EL USO DE PRODUCTOS PARA CIERTAS APLICACIONES; DICHAS LEYES PUEDEN VARIAR DE UN AREA A OTRA. SI BIEN SE TRATA DE QUE LOS PRODUCTOS SPEEDAIRE CUMPLAN CON DICHOS CODIGOS, NO SE PUEDE GARANTIZAR SU CONFORMIDAD Y NO SE PUEDE HACER RESPONSABLE POR LA FORMA EN QUE SE INSTALE O USE SU PRODUCTO. ANTES DE COMPRAR Y USAR EL PRODUCTO, REVISE LA INFORMACION DE SEGURIDAD/ESPECIFICACIONES, Y TODOS LOS CODIGOS Y REGULACIONES NACIONALES Y LOCALES APLICABLES, Y ASEGURESE QUE LOS PRODUCTOS SPEEDAIRE, LA INSTALACION Y EL USO LOS CUMPLAN.

**CONSUMIDOR SOLAMENTE.** CIERTOS ASPECTOS DE LIMITE DE RESPONSABILIDAD NO SE APLICAN A PRODUCTOS AL CONSUMIDOR; ES DECIR (A) ALGUNAS JURISDICCIONES NO PERMITEN LA EXCLUSION NI LIMITACION DE DAÑOS INCIDENTALES O CONSECUENTES, DE MODO QUE LAS LIMITACIONES O EXCLUSIONES ANTERIORES QUIZAS NO APLIQUEN EN SU CASO; (B) ASIMISMO, ALGUNAS JURISDICCIONES NO PERMITEN LIMITAR EL PLAZO DE UNA GARANTIA IMPLICITA, POR LO TANTO, LA LIMITACION ANTERIOR QUIZAS NO APLIQUE EN SU CASO; Y (C) POR LEY, MIENTRAS LA GARANTIA LIMITADA ESTE VIGENTE NO PODRAN EXCLUIRSE NI LIMITARSE EN MODO ALGUNO NINGUNA GARANTIA IMPLICITA DE COMERCIALIZACION O DE IDONEIDAD PARA UN PROPOSITO EN PARTICULAR APLICABLES A LOS PRODUCTOS AL CONSUMIDOR ADQUIRIDOS POR ESTE.

ESTA GARANTIA LIMITADA APLICA UNICAMENTE A LOS PRODUCTOS SPEEDAIRE COMPRADOS POR COMPRADORES EN LOS ESTADOS UNIDOS PARA ENTREGA EN LOS ESTADOS UNIDOS.

### **SERVICIO DE GARANTIA**

Para obtener un servicio de garantía si compró un producto cubierto directamente de W.W. Grainger, Inc. (“Grainger”), (i) escriba, llame o visite la sucursal local de Grainger donde compró el producto u otra sucursal de Grainger cerca de usted (visite [www.grainger.com](http://www.grainger.com) para obtener una lista de las sucursales); o (ii) comuníquese con Grainger visitando [www.grainger.com](http://www.grainger.com) y haga clic en el enlace “Contact Us” en la parte superior de la página, luego haga clic en enlace “Email us”; o (iii) llame a Servicio al Cliente (libre de cargo) al 1-888-361-8649. Para obtener servicio de garantía si compró el producto cubierto a través de otro distribuidor o minorista, (i), visite [www.grainger.com](http://www.grainger.com) para el Servicio de Garantía; (ii) escriba, llame o visite la sucursal de Grainger cerca de usted; o (iii) llame a Servicio al Cliente (libre de cargo) al 1-888-361-8649. En cualquiera de los casos, necesitará proporcionar, cuando esté disponible, la fecha de compra, el número de factura original, el número de pieza, una descripción del defecto, y cualquier otra información que especifique esta Garantía limitada de Speedaire por un año. Se le podría solicitar que envíe el producto a su propio coste para que lo inspeccionen. Puede hacer un seguimiento de los avances de las inspecciones y medidas correctivas de la misma forma. El título y el riesgo de pérdida pasa del comprador en el momento de la entrega a la compañía de transporte, por lo que si el producto sufre daños durante el transporte, presente un reclamo a la compañía transportista, no al minorista o Grainger. Para información sobre la garantía para compradores y/o entregas fuera de los Estados Unidos, comuníquese con:

**W.W. Grainger, Inc.**

**100 Grainger Parkway, Lake Forest, IL 60045 EE.UU.**

**o llame al +1-888-361-8649**





# SPEED-AIR



## Pompes Pour Compresseur d'Air

Modèle 40KH92

®

**SPEEDAIRE**

**LIRE ET CONSERVER CES INSTRUCTIONS. IL FAUT LES LIRE ATTENTIVEMENT AVANT DE COMMENCER À ASSEMBLER, INSTALLER, FAIRE FONCTIONNER OU ENTREtenir L'APPAREIL DÉCRIT.**

**POUR SE PROTÉGER ET PROTÉGER AUTRUI, OBSERVER TOUTES LES INFORMATIONS SUR LA SÉCURITÉ. NÉGLIGER D'APPLIQUER CES INSTRUCTIONS PEUT CAUSER DES BLESSURES ET/OU DES DOMMAGES MATÉRIELS! CONSERVER CES INSTRUCTIONS POUR CONSULTATION ULTÉRIEURE.**

**SE REPORTER AU DOS DE LA PRÉSENTE BROCHURE POUR LES INFORMATIONS CONCERNANT LA GARANTIE SPEEDAIRE ET D'AUTRES INFORMATIONS IMPORTANTES.**

**N° de modèle :** \_\_\_\_\_

**N° de série :** \_\_\_\_\_

**Date d'achat :** \_\_\_\_\_

**Brochure 5S7664 / Imprimée en États-Unis**

**Version 0 9/2015**

**© 2013 W.W. Grainger, Inc.**

**Tous droits réservés**

## AVANT DE COMMENCER

### Introduction

Cette pompe a été conçue avec un système de lubrification d'huile qui nécessite l'utilisation de l'huile. Un faible contenu en huile est présent dans le flux d'air comprimé. Les applications nécessitant de l'air sans vapeurs d'huile disposent du filtre adéquat déjà installé. La pompe d'air comprimé devrait être montée et installée conformément aux instructions énumérées. Toute autre utilisation de ces pompes annulera la garantie et le fabricant ne sera pas tenu responsable des problèmes ou dommages résultant de cette mauvaise utilisation.

#### Référence rapide

##### Huile Recommandée (2 Options)

Huile de compresseur sans détergent à viscosité simple, SAE 30 ISO, numéro de pièce 1WG50 ou 4ZF21.

Huile synthétique 10W30 comme Mobil 1® ou 1WG49.

##### Capacité d'huile

Environ 1,18 litres (par pompe)

## DÉBALLAGE

**⚠ ATTENTION** *Ne pas soulever ni déplacer le modèle sans équipement convenable et s'assurer que le modèle soit bien fixé à l'appareil de levage. Ne pas soulever le modèle avec les tuyaux ou les refroidisseurs. Ne pas utiliser le modèle pour soulever d'autre équipement qui est attaché au compresseur.*

Dès que l'appareil est déballé, l'inspecter attentivement pour tout signe de dommages en transit. Vérifier s'il y a des pièces desserrées, manquantes ou endommagées. Vérifier pour s'assurer que tous les accessoires fournis sont inclus avec l'appareil. Pour toutes questions, pièces endommagées ou manquantes, appeler le 1-855-504-5678 pour le service à la clientèle.

**⚠ AVERTISSEMENT** *Ne pas utiliser un modèle qui a été endommagé pendant le transport, la manipulation ou l'utilisation. Le dommage peut résulter en explosion et peut causer des blessures ou dégâts matériels.*

### Articles requis - non inclus

- Huile

## Apprenez à connaître votre pompe d'air comprimé

DÉMARRAGE  
DE L'APPAREIL

SÉCURITÉ /  
CARACTÉRISTIQUES

ASSEMBLAGE /  
INSTALLATION

UTILISATION

DÉPANNAGE

ENTRETIEN /  
RÉPARATION

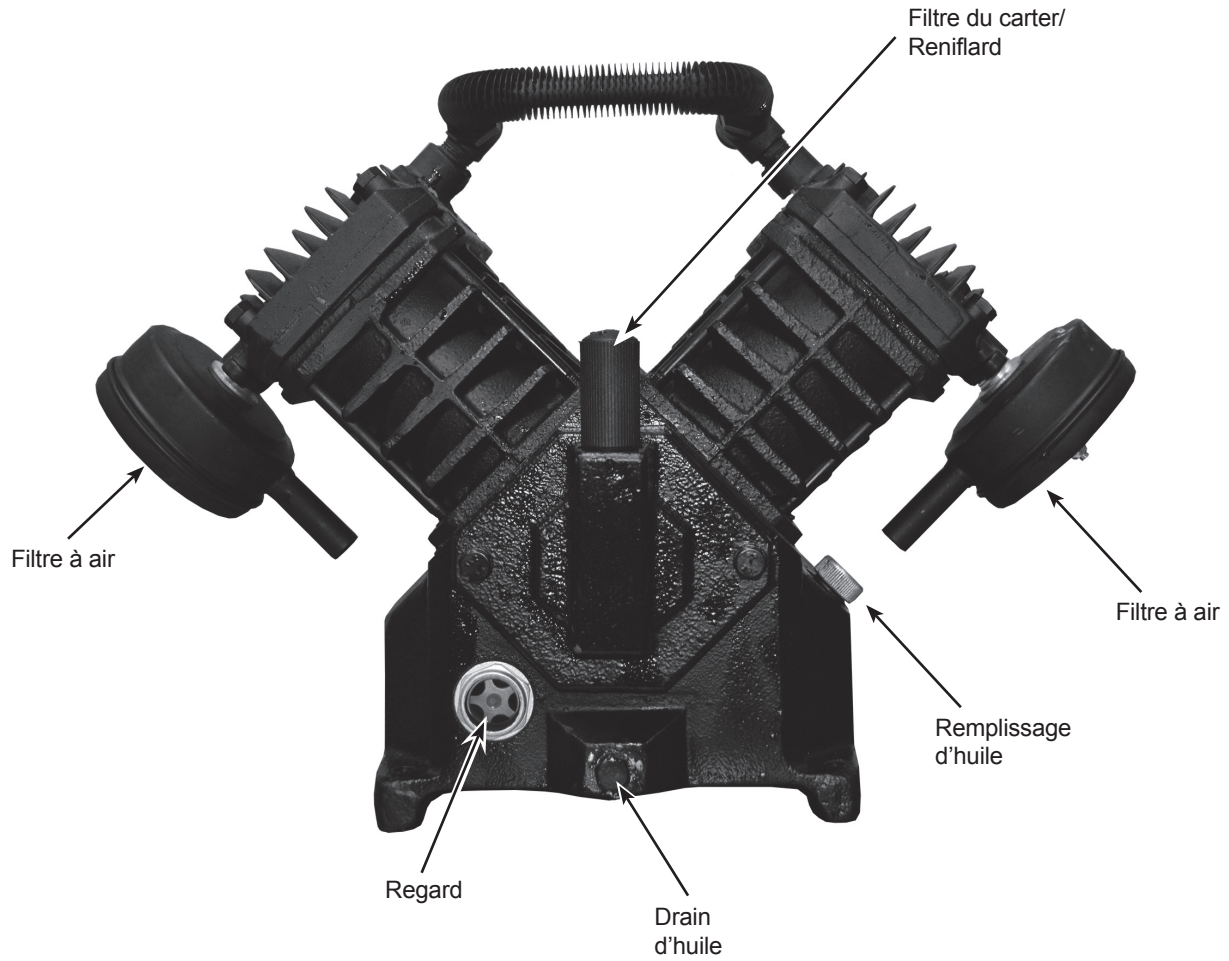


Figure 1 - Pompe de compresseur d'air

## INSTRUCTIONS GÉNÉRALES DE SÉCURITÉ

### Directives De Sécurité

Ce manuel contient de l'information très importante qui est fournie pour la SÉCURITÉ et pour ÉVITER LES PROBLÈMES D'ÉQUIPEMENT. Rechercher les symboles suivants pour cette information.



**DANGER** Danger indique une situation dangereuse imminente qui MÈNERA à la mort ou à des blessures graves si elle n'est pas évitée.



**AVERTISSEMENT** Avertissement indique une situation potentiellement dangereuse qui, si elle n'est pas évitée, POURRAIT mener à la mort ou à de graves blessures.



**ATTENTION** Attention indique une situation potentiellement dangereuse qui, si elle n'est pas évitée, PEUT mener à des blessures mineures ou modérées.

**AVIS**

Avis indique de l'information importante qui pourrait endommager l'équipement si elle n'est pas respectée.

**IMPORTANT** : Information qui exige une attention spéciale.

### Symboles De Sécurité

Les symboles de sécurité suivants apparaissent dans l'ensemble de ce manuel pour vous aviser des dangers et précautions importants de sécurité.



Porter une protection oculaire et un masque



Lire le manuel d'abord



Risque de pièces mobiles



Risque de pièces chaudes



Risque de pression



### Proposition 65 de Californie



**AVERTISSEMENT** Ce produit ou son cordon peuvent contenir des produits chimiques qui, de l'avis de l'État de Californie, causent le cancer et des anomalies congénitales ou autres problèmes de reproduction. Lavez-vous les mains après la manipulation.



**AVERTISSEMENT** Vous pouvez créer de la poussière en coupant, ponçant, perçant ou meulant les matériaux tels que le bois, la peinture, le métal, le béton, le ciment ou autre maçonnerie. Cette poussière contient souvent des produits chimiques reconnus pour causer le cancer, les déformations congénitales.

### Importantes Instructions de Sécurité

**S'il vous plaît lire et conserver ces instructions. Lire attentivement avant de monter, installer, utiliser ou de procéder à l'entretien du produit décrit. Se protéger ainsi que les autres en observant toutes les instructions de sécurité, sinon, il y a risque de blessure et/ou dégâts matériels! Conserver ces instructions comme référence.**

Ce manuel contient des informations concernant la sécurité, le fonctionnement et l'entretien. Si vous avez des questions, appeler le 1-855-504-5678 pour le service à la clientèle.

Puisque le compresseur d'air et les autres composants (article pompe, pistolet de pulvérisation, filtres, lubrifiants, tuyaux, etc.) utilisés font partie d'un système de pompage à haute pression, les précautions de sécurité suivantes doivent être prises en considération à tout moment :

**▲ DANGER****AVERTISSEMENT D'AIR RESPIRABLE**

Ce compresseur/pompe n'est pas équipé pour et ne devrait pas être utilisé "comme soi" pour fournir de l'air respirable. Pour les applications d'air pour la consommation humaine, il est nécessaire d'équiper le compresseur d'air/pompe avec de l'équipement de sécurité en canalisation et d'alarme. Cet équipement additionnel est nécessaire pour filtrer et purifier l'air afin d'atteindre les spécifications minimales pour la respiration Grade D décrite dans le Compressed Gas Association Commodity Specification G 7.1, OSHA 29 CFR 1910. 134, and/or Canadian Standards Associations (CSA).

**DÉNÉGATION DES GARANTIES**

Si le compresseur est utilisé pour les applications d'air respirable et l'équipement de sécurité en canalisation et d'alarme n'est pas utilisé simultanément, les garanties en existence seront annulées, et le fabricant nie toute responsabilité pour n'importe quelle perte, blessure ou dommage.

**Généralités sur la Sécurité**

- Lire attentivement tous manuels compris avec ce produit. Bien se familiariser avec les commandes et l'utilisation correcte de l'équipement.
- Suivre tous les codes d'électricité et de sécurité locaux ainsi que: National Electrical Codes (NEC) et Occupational Safety and Health Act (OSHA) des É.-U.
- Seules les personnes bien familiarisées avec ces règles d'utilisation doivent être autorisées à se servir du compresseur.
- Garder les visiteurs à l'écart de/et NE JAMAIS permettre les enfants dans l'endroit de travail.
- Utiliser des lunettes de sécurité et la protection auditive pendant l'utilisation du modèle.
- Ne pas se tenir debout sur/ou utiliser le modèle comme une prise.
- Avant chaque utilisation, inspecter la pompe pour des signes de dommages, détérioration, faiblesse ou fuites. Réparer ou remplacer les articles défectueux avant toute utilisation.
- Inspecter le degré de serrage de toutes attaches par intervalles régulières.



**▲ AVERTISSEMENT** *Ne jamais utiliser un compresseur sans carter de courroie. Ce modèle peut se démarrer sans avis. Le contact avec les pièces mobiles peut causer des blessures personnelles ou dégâts matériels.*

- Ne pas porter les vêtements flottants ni la bijouterie qui peuvent se prendre dans les pièces mobiles du modèle.



**▲ ATTENTION** *Les pièces du compresseur peuvent être chaudes même si le modèle n'est pas en marche.*

- Garder les doigts à l'écart d'un compresseur qui est en marche; les pièces mobiles et chaudes peuvent causer des blessures et/ou brûlures.
- Si le compresseur vibre anormalement, ARRÊTER le moteur et l'inspecter immédiatement. La vibration est généralement une indication d'un problème.
- Pour réduire le risque d'incendie, garder l'extérieur du moteur libre d'huile, de solvant ou de graisse excessive.

**▲ AVERTISSEMENT** *Une soupape de sûreté ASME avec un réglage qui ne dépasse pas 1379 kPa pour les compresseurs à deux étages et 1034 kPa pour les compresseurs à une étages DOIT être installée dans les canalisations d'air ou dans le réservoir pour ce compresseur. La soupape de sûreté ASME doit avoir une classification de débit et de pression suffisante afin de protéger les pièces détachées sous pression contre l'éclatement. La classification de sûreté maximale de pression pour la pompe est 1379 kPa (deux étages) ou 1034 kPa (une étage). La soupape de sûreté dans le refroidisseur ne fournit pas de protection pour le système.*

**▲ ATTENTION** *La pression maximale de service est 1207 kPa pour les compresseurs à deux étages et 931 kPa pour les compresseurs à une étage. Ne pas utiliser avec des manostats ou des soupapes qui sont réglés à plus que 1207 kPa (deux étages) ou 931 kPa (une étage).*

- L'air mouvante peut agiter la poussière et le débris qui peut être dangereux. Lâcher l'air lentement en purgeant l'humidité ou pendant la dépressurisation du système de compresseur.

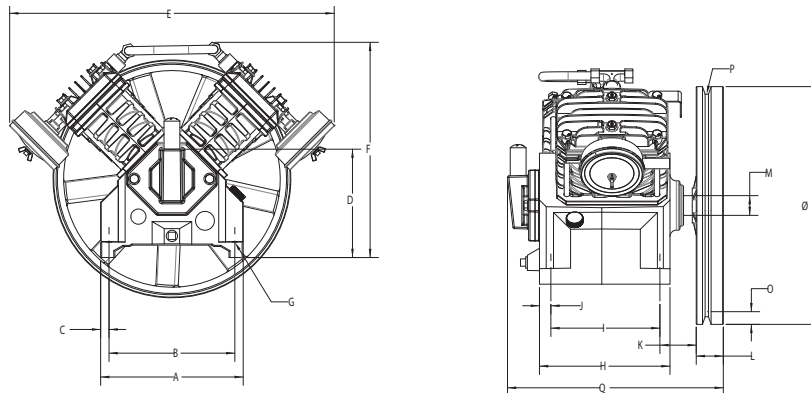
**Conserver ces instructions  
Ne les jetez pas**

Les symboles **DANGER, AVERTISSEMENT, ATTENTION ET AVIS** ainsi que les instructions de ce manuel ne peuvent pas couvrir toutes les conditions et situations qui pourraient se produire. L'opérateur doit comprendre que les précautions sont des facteurs qui ne peuvent pas être inclus dans ce produit, mais doivent être fournis par l'opérateur.

## CARACTÉRISTIQUES TECHNIQUES ET DIMENSIONS

### CARACTÉRISTIQUES

Poids : 19,05 kg



Réf.	Article	40KH92
A	Base-largeur	21.59 cm
B	Largeur de boulonnage	19.05 cm
C	Du bolon au bord	1.27 cm
D	Base à manivelle CTR	16.41 cm
E	Largeur générale	49.15 cm
F	Hauteur générale	32.59 cm
G	Dia. du trou de boulonnage	0.86 cm
H	Base-profondeur	19.76 cm
I	Boulonnage au bord	16.51 cm
J	Boulonnage au bord	1.73 cm
K	Boulon au volant (max.) en bas	5.51 cm
L	Largeur du volant	4.09 cm
M	Diamètre de manivelle	3.00 cm
N	Diamètre du volant	35.99 cm
O	Abaissement du volant	1.93 cm
P	Rainures du volant	Rainure unique de courroie trapézoïdale Section A
Q	Prof. générale	32.69 cm

## INSTRUCTIONS D'INSTALLATION

**⚠ ATTENTION** *Ne pas soulever ni déplacer le modèle sans équipement convenable et s'assurer que le modèle soit bien fixé à l'appareil de levage. Ne pas soulever le modèle avec les tuyaux ou les refroidisseurs. Ne pas utiliser le modèle pour soulever d'autre équipement qui est attaché au compresseur.*

**REMARQUE :** Si le compresseur est utilisé dans un endroit chaud et humide, il est nécessaire de fournir le compresseur avec de l'air extérieur propre et sec. Cet air devrait être canalisé d'une source externe. Pour les compresseurs à deux étages seulement, utiliser le nécessaire d'adaptateur (TF060502AV) pour brancher le tuyau au compresseur. Utiliser deux nécessaires d'adaptateur pour les modèles à deux étages de 10 et 15 HP.

### Montage de la pompe

40KH92 nécessite un boulon de montage d'une dimension de 7,9 mm (5/16 pouces). Les boulons de 7,9 mm (5/16 pouces) bien serrés sont serrés à 1,66 kg m (166,03 kg cm).

### Sens de rotation

**REMARQUE :** La rotation incorrecte peut diminuer la durée du modèle.

Le sens de rotation doit être dans le sens contraire des aiguilles d'une montre (tel qu'illustré par la flèche sur le volant) quand vous êtes en face du volant. La plaque indicatrice du moteur indique l'information pour l'installation des fils pour la rotation au sens contraire des aiguilles d'une montre.

La direction correcte est très importante. Le sens de rotation pour un moteur triphasé peut être inversé en échangeant deux fils. Pour moteurs monophasés, se référer à la plaque indicatrice du moteur.

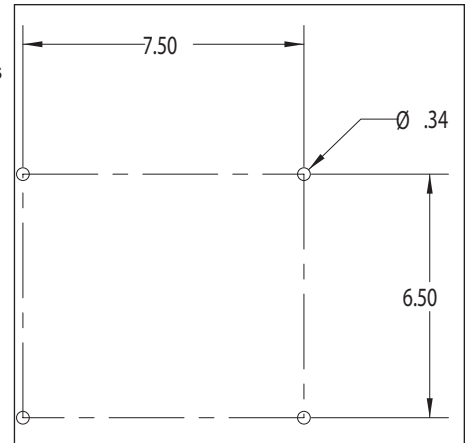


Figure 2 - Schéma du montage de la pompe

### Graissage

**⚠ ATTENTION** *CE MODÈLE NE CONTIENT PAS D'HUILE. Avant d'utiliser le compresseur. Remplir au centre de la jauge visuelle (voir la figure 3).*

**⚠ ATTENTION** *L'utilisation d'un autre type d'huile pourrait raccourcir la durée de la pompe et endommager les soupapes.*

#### Huile recommandée (2 options)

Huile de compresseur non détergente SAE 30 ISO100 à viscosité unique. Numéro de pièces 1WG50 ou 4ZF21.

Huile synthétique 10W30 telle que Mobil 1® ou 1WG49.

#### Capacité d'huile

Environ 1,18 litres (par pompe)

**Remplir la pompe d'huile au centre de la jauge visuelle en utilisant l'ouverture de remplissage d'huile (voir la figure 3). NE PAS remplir la pompe jusqu'à l'ouverture du bouchon de reniflard, car ceci pourrait mener à une fuite d'huile et une pulvérisation vers l'extérieur durant l'utilisation.**

**REMARQUE :** Il pourrait y avoir des résidus d'huile dans la pompe des tests en usine laissant une mince couche sur la jauge visuelle, mais il n'y a pas assez d'huile pour faire fonctionner l'unité.

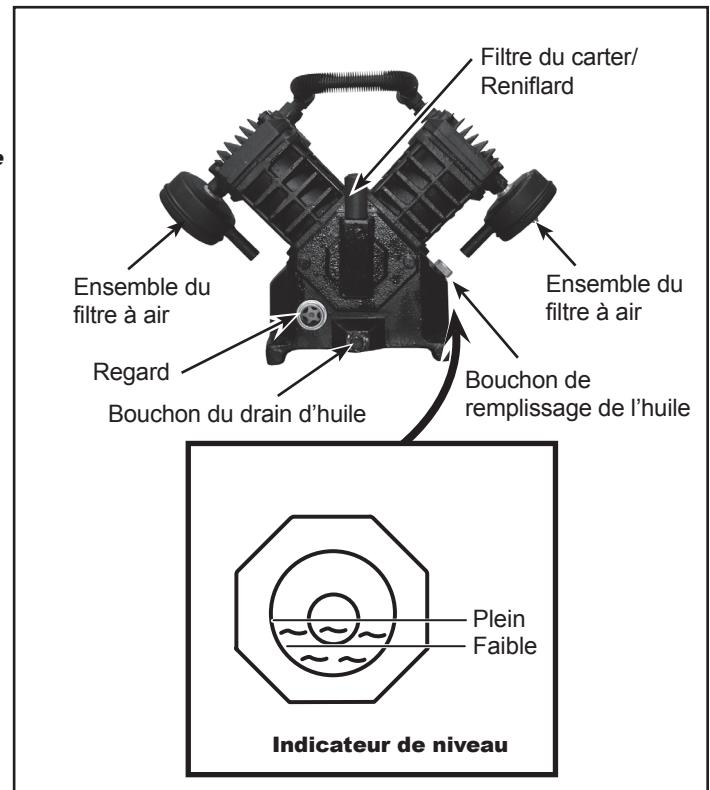


Figure 3 - Graissage



## MODE D'EMPLOI

**IMPORTANT:** Vérifier la rotation du moteur avant d'utiliser le compresseur.

Toutes les pompes de compresseur graissées débitent un peu d'humidité et d'huile avec l'air comprimé. Installer l'équipement pour l'enlèvement d'eau / huile et commandes convenables à l'application.

### AVIS

**Manque d'installer l'équipement pour l'enlèvement d'eau/huile peut endommager les machines ou l'objet de travail.**

### Carters



### ⚠ AVERTISSEMENT

**Un protecteur de courroie doit être installé avant de faire fonctionner cet appareil.**

Toutes les pièces mobiles doivent être protégées. Tous les couvercles électriques doivent être installés avant de mettre en circuit.

### Rodage Recommandé

Le compresseur devrait fonctionner en continu pendant une heure à moins de 690 kPa pour permettre aux bagues de piston d'être dans la bonne position.

**IMPORTANT:** Changer l'huile après les premières 50 heures de fonctionnement.

### Fonctionnement continu

Pour la conversion au fonctionnement continu, il est nécessaire d'installer un appareil de déchargement séparé entre la pompe et le réservoir. Le clapet original doit être enlevé.

### Reniflard du carter

Un peu d'huile peut s'accumuler à l'ouverture du reniflard du carter pendant les conditions de fonctionnement sévères ou pendant le premier démarrage. Ceci est normal et diminuera après le rodage et une fois que les segments de piston soient ajustés.

### HUMIDITÉ DANS L'AIR COMPRIMÉ

L'humidité dans l'air comprimé se transforme en gouttelettes lorsque l'air arrive de la pompe du compresseur. Lorsque l'humidité est élevée ou si le compresseur est utilisé en continu pendant une longue période de temps, cette humidité s'accumulera dans le réservoir. Lors de l'utilisation d'un pistolet à jet de sable ou de peinture, cette eau sera transportée du réservoir par le tuyau, et sortira du pistolet sous forme de gouttelettes mélangées à la matière de pulvérisation.

**IMPORTANT :** Cette condensation peut engendrer des taches d'eau dans un travail de peinture, en particulier lors de la pulvérisation d'autres peintures que les peintures à base d'eau. S'il y a sablage au jet, le sable se transformera en pâte et obstruera le pistolet, le rendant inefficace. Un filtre dans la conduite d'air, situé aussi près que possible du pistolet, aidera à éliminer l'humidité.

## GUIDE DE DÉPANNAGE POUR LES NOUVELLES INSTALLATIONS

Symptôme	Cause(s) Possible(s)	Action Corrective
L'appareil ne dépasse pas - le moteur fait du bruit	1. Courant insuffisant au compresseur	1. La source d'électricité au compresseur est soit de la mauvaise tension, le fil est d'une taille insuffisante pour transporter la charge, la boîte de fusibles ou la boîte du disjoncteur est insuffisante pour répondre aux exigences de transport de charge au compresseur.
	2. L'appareil est câblé incorrectement	2. Adressez-vous à un électricien qualifié
	3. Mauvaise tension fournie à l'appareil	3. Adressez-vous à un électricien qualifié
	4. Connexions électriques dégagees	4. Tout le système électrique doit être vérifié par un électricien agréé. Les câbles d'entrée et les connexions électriques du compresseur devraient être vérifiés. Les connexions desserrées provoqueront de mauvais fonctionnements.
	5. Mauvaise taille de câblage.	5. Vérifier que la taille du câble a une valeur pour le courant du compresseur. Les codes d'état et locaux varient beaucoup et doivent être vérifiés avant l'installation.
	6. Fusible grillé et/ ou disjoncteur déclenché	6. Le disjoncteur et les fusibles requis pour cet appareil doivent être à retardement. Un fusible grillé ou un disjoncteur déclenché peut indiquer un court-circuit direct à la terre, un tirage élevé de courant, un mauvais câblage, un fusible ou un disjoncteur de mauvaise taille et/ou type. Ceci doit être évalué par un centre de service ou un électricien agréé.
	7. Surcharge de démarreur déclenchée	7. Vérifiez et réinitialisez au besoin. Si la surcharge est déclenchée après la réinitialisation initiale, consultez la section ci-dessous « Réinitialiser les déclencheurs du démarreur ».
L'unité ne démarre pas - le moteur fait du bruit	1. L'appareil est câblé incorrectement	1. Adressez-vous à un électricien qualifié
	2. Mauvaise tension	2. S'assurer que la tension est correcte avec le câblage du moteur.
	3. Connexions électriques dégagees	3. Tout le système électrique doit être vérifié par un électricien agréé. Les câbles d'entrée et les connexions électriques du compresseur devraient être vérifiés. Les connexions desserrées provoqueront de mauvais fonctionnements.
La réinitialisation se déclenche au démarrage	1. L'appareil est câblé incorrectement	1. Vérifier la tension, la taille du câblage, etc. Ce problème doit être évalué et corrigé.
	2. Mauvaise tension	2. S'assurer que la tension est correcte avec le câblage du moteur.
	3. Mauvaise taille de câblage.	3. Vérifier que la taille du câble a une valeur pour le courant du compresseur. Vérifier que la taille du câble a une valeur pour le courant du compresseur. Les codes d'état et locaux varient beaucoup et doivent être vérifiés avant l'installation.
L'appareil démarre, mais n'atteint pas sa pleine vitesse	1. Courant insuffisant au compresseur	1. La source d'électricité au compresseur est soit de la mauvaise tension, le fil est d'une taille insuffisante pour transporter la charge, la boîte de fusibles ou la boîte du disjoncteur est insuffisante pour répondre aux exigences de transport de charge au compresseur.
	2. Connexions électriques dégagees	2. Tout le système électrique doit être vérifié par un électricien agréé. Les câbles d'entrée et les connexions électriques du compresseur devraient être vérifiés. Les connexions desserrées provoqueront de mauvais fonctionnements.
L'appareil ne produit pas ou produit très peu d'air	1. Soupape de purge ouverte	1. S'assurer que le robinet de vidange au bas du réservoir est fermé.
	2. Fuite d'air	2. Vérifier tout le système pour tout signe de fuites, incluant le compresseur et toute tuyauterie rattachée au compresseur.
	3. Aspiration d'air limitée ou bloquée	3. S'assurer que l'alimentation d'air du compresseur n'est bloquée d'aucune façon.

Suite à la page suivante

## GUIDE DE DÉPANNAGE POUR LES NOUVELLES INSTALLATIONS (SUITE)

Symptôme	Cause(s) Possible(s)	Action Corrective
L'appareil fonctionne bruyamment	<ol style="list-style-type: none"> <li>1. Dommage au compresseur</li> <li>2. Attaches desserrées</li> <li>3. Volant ou poulie desserré(e)</li> <li>4. Mauvaise installation</li> </ol>	<ol style="list-style-type: none"> <li>1. Vérifiez que tous les composants du compresseur d'air sont bien installés.</li> <li>2. Vérifier tous les boulons et écrous pour s'assurer qu'ils ne se sont pas desserrés dans l'expédition.</li> <li>3. Vérifier pour s'assurer que la poulie ou le volant sont bien resserrés.</li> <li>4. Si l'appareil est laissé sur le patin, cela pourrait provoquer des vibrations excessives. Retirer l'appareil du patin et le monter sans resserrer sur le plancher avec les coussinets de vibrations et les boulons d'ancrage. Ne pas resserrer les boulons complètement. Laisser l'écrou desserré d'environ 3,2 mm (1/8 po) du pied du compresseur.</li> </ol>
De l'huile dans l'air de décharge ou hors du reniflard du carter	<ol style="list-style-type: none"> <li>1. Période de rodage</li> <li>2. Mauvais type d'huile</li> <li>3. Mauvais environnement</li> </ol>	<ol style="list-style-type: none"> <li>1. Un peu d'huile dans l'air d'échappement est normal durant la période de rodage et durant les périodes d'utilisation lourde après la période de rodage. La décharge d'huile devrait être réduite avec l'accumulation d'heures d'utilisation de l'appareil.</li> <li>2. Ne pas utiliser d'huile de type automobile SAE-30. Utiliser la mauvaise huile peut causer des problèmes de pompe et annuler la garantie. Utiliser seulement des huiles recommandées dans le manuel d'utilisation (voir la section lubrification).</li> <li>3. L'appareil ne doit pas être installé dans un endroit mal ventilé ou exposé à des conditions d'extrême chaleur ou froid. La plage d'exploitation normale doit être entre 0 et 37 °C (32 et 100°F).</li> </ol>
Le compresseur semble tourner à chaud	Rotation incorrecte	Vérifier pour s'assurer que le compresseur tourne dans la direction de la flèche du volant. La circulation d'air devrait permettre au volant de diriger l'air à travers la tête de pompe. Debout devant le compresseur (non pas du côté du protecteur de courroie), l'air devrait revenir vers l'avant.

## GUIDE DE DÉPANNAGE POUR LES UNITÉS EN SERVICE PENDANT UNE PÉRIODE DE TEMPS (SUITE)

Symptôme	Cause(s) Possible(s)	Action Corrective
Le moteur ne démarre pas	1. Connexions électriques délogées	1. Tout le système électrique doit être vérifié par un électricien agréé. Les câbles d'entrée et les connexions électriques du compresseur devraient être vérifiés. Les connexions desserrées provoqueront de mauvais fonctionnements.
	2. Fusible grillé et/ ou disjoncteur déclenché	2. Le disjoncteur et les fusibles requis pour cet appareil doivent être à retardement. Un fusible grillé ou un disjoncteur déclenché peut indiquer un court-circuit direct à la terre, un tirage élevé de courant, un mauvais câblage, un fusible ou un disjoncteur de mauvaise taille et/ou type. Ceci doit être évalué par un centre de service ou un électricien agréé.
	3. Surcharge de démarreur déclenchée.	3. Vérifiez et réinitialisez au besoin. Si la surcharge est déclenchée après la réinitialisation initiale, consultez la section du « Guide de dépannage pour les nouvelles installations ».
	4. Condensateur défectueux.	4. Vérifier et remplacer (si nécessaire) le condensateur défectueux.
	5. Démarreur magnétique défectueux.	5. Vérifier d'abord tous câbles desserrés et resserrer au besoin. Vérifier et remplacer (si nécessaire) le démarreur magnétique défectueux.
Le moteur ronfle, le moteur tire une forte intensité, il y a déclenchement de surcharge, déclenchement du disjoncteur ou fusible grille au démarrage	1. Décharge de pressostat défectueux	1. Drainer le réservoir de toute pression. Redémarrer le compresseur sans charge. Si le compresseur peut démarrer, alors la décharge doit être vérifiée. Si ce problème n'est pas corrigé, le moteur et/ou d'autres composants électriques auront des problèmes.
	2. Clapet de non-retour défectueux - perte constante de pression du réservoir	2. Déterminer si le clapet de non-retour fonctionne correctement - la décharge de pressostat devrait cesser de siffler après que le compresseur s'éteint. Si le sifflement se poursuit et s'il y a une perte constante de pression du réservoir, alors le clapet de non-retour ne fonctionne pas correctement. Remplacer le clapet de non-retour.
	3. Connexions électriques délogées	3. Tout le système électrique doit être vérifié par un électricien agréé. Les câbles d'entrée et les connexions électriques du compresseur devraient être vérifiés. Les connexions desserrées provoqueront de mauvais fonctionnements.
	4. Condensateur défectueux.	4. Vérifier et remplacer (si nécessaire) le condensateur défectueux.
	5. Problème de clapet ou joint sauté	5. Vérifier le joint et remplacer au besoin. Il y a d'autres symptômes lorsqu'un clapet n'est pas scellé ou qu'un joint est sauté comme un tirage d'intensité normale qui pourrait déclencher une surcharge ou un disjoncteur.
Le compresseur fonctionne, mais accumule de la pression lentement	1. Fuite d'air	1. Vérifier tout le système pour tout signe de fuites, incluant le compresseur et toute tuyauterie rattachée au compresseur.
	2. Filtre d'air sale	2. Les filtres d'air doivent être changés régulièrement selon l'usage et l'environnement. Un filtre sale peut sembler propre. Changer souvent les filtres.
	3. Problème de clapet ou joint sauté	3. Vérifier le joint et remplacer au besoin. Il y a d'autres symptômes lorsqu'un clapet n'est pas scellé ou qu'un joint est sauté comme un tirage d'intensité normale qui pourrait déclencher une surcharge ou un disjoncteur.
	4. Réservoir fissuré	4. Remplacer le réservoir. <b>L'appareil ne devrait pas être utilisé dans ces conditions.</b> Les réservoirs ne peuvent pas être soudés ou rapiécés.
La soupape de sûreté interétage sort lorsque l'appareil fonctionne	1. Soupape ou un joint usé	1. Vérifier et remplacer le robinet ou les joints au besoin.
	2. Couple de boulon à tête basse	2. Vérifier et resserrer les boulons à tête au couple spécifié.x.
	3. Soupape de sûreté interétage défectueuse	3. Remplacer la soupape de sûreté interétage. Il ne faut dans aucun cas boucher le port de soupape de sûreté.
Fuite d'huile du reniflard	1. Anneaux usés ou cylindre marqué	1. Remplacer les anneaux et/ou remplacer le cylindre.
	2. Le compresseur tourne à chaud	2. S'assurer que le compresseur tourne à la bonne rotation. Le compresseur doit être propre et dans un endroit bien ventilé. L'huile doit être changée à des intervalles réguliers selon les spécifications indiquées dans le manuel. Le filtre d'air doit être changé, car il se salit.

## GUIDE DE DÉPANNAGE POUR LES UNITÉS EN SERVICE PENDANT UNE PÉRIODE DE TEMPS (SUITE)

Symptôme	Cause(s) Possible(s)	Action Corrective
Huile laiteuse dans le carter	1. Faible usage du compresseur - l'eau se condense dans le carter	1. Faire fonctionner le compresseur continuellement pendant 1 heure. La chaleur produite durant cette période de fonctionnement évaporerait l'humidité de l'huile.
	2. Mauvais type d'huile	2. Ne pas utiliser d'huile de type automobile SAE-30. Utiliser la mauvaise huile peut causer divers problèmes de pompe et annulera la garantie. Utiliser seulement des huiles recommandées dans le manuel d'utilisation.
	3. Mauvais environnement	3. L'appareil ne doit pas être installé dans un endroit mal ventilé ou exposé à des conditions d'extrême chaleur ou froid. La plage d'exploitation normale doit être entre 0 et 37 °C (32 et 100°F).
	4. Rotation incorrecte	4. Vérifier pour s'assurer que le compresseur tourne dans la direction de la flèche du volant. La circulation d'air devrait permettre au volant de diriger l'air à travers la tête de pompe. Debout devant le compresseur (non pas du côté du protecteur de courroie), l'air devrait revenir vers l'avant.
	5. Légère fuite de réservoir, vérifier le clapet	5. L'air refroidit et se condense, puis fuit et revient dans la pompe. Drainer le réservoir d'air après l'utilisation résoudra normalement le problème.
Le pressostat fait continuellement sortir de l'air de la soupape de décharge	Clapet de non-retour défectueux.	Remplacer le clapet
Le pressostat ne dégage pas d'air lorsque le compresseur s'éteint.	1. La décharge de pressostat ne fonctionne pas correctement	1. Drainer le réservoir de toute pression. Redémarrer le compresseur sans charge. Si le compresseur peut démarrer, alors la décharge doit être vérifiée. Si ce problème n'est pas corrigé, le moteur aura des problèmes et/ou d'autres composants électriques.
Le compresseur ne s'arrête pas	2. Pressostat défectueux	2. Le réglage trop haut. Si l'ajustement du réglage ne fonctionne pas, remplacer le pressostat.
	3. Soupape de sûreté défectueuse	3. S'assurer que le manomètre du réservoir lit correctement et si nécessaire remplacer la soupape de sûreté du réservoir.
L'appareil vibre excessivement	1. Attaches desserrées	1. Ceci inclut les boulons de montage de la pompe, le moteur, le protecteur de courroie, le démarreur magnétique, etc. Vérifier s'il y a des attaches desserrées dans le cadre d'une routine d'entretien. Resserrer les attaches desserrées.
	2. Poulie desserrée, courroie desserrée ou mauvais alignement de poulies	2. La poulie et la courroie devront peut-être être resserrées avec le temps. Les poulies devront peut-être être réalignées pour assurer la bonne usure de courroie et réduire les vibrations. Il faut vérifier dans le cadre de l'entretien régulier.
	3. Pompe défectueuse	3. Une pompe défectueuse inclut des coups ou des bruits qui ne sont pas normaux selon la conception de la pompe. Beaucoup d'huile qui sort du reniflard indique l'usure de l'anneau ou du cylindre. Une faible performance de pompe pourrait indiquer des problèmes de robinet. Il y a plusieurs symptômes associés à une pompe défectueuse. La pompe devra être réévaluée.
Eau dans l'air de décharge	1. Temps humides et chauds	1. Pendant les temps chauds et humides, il est normal d'avoir de l'accumulation d'eau dans le réservoir du compresseur. Ceci est normal et exige de fréquents drainages du réservoir. Nous recommandons l'utilisation d'un drain automatique avec filtres et séchoirs si cela est un problème.
	2. Eau accumulée dans le réservoir	2. Drainer le réservoir d'eau pour éviter la corrosion du réservoir et l'usure de l'outil pneumatique. Nous recommandons l'utilisation d'un drain automatique avec filtres et séchoirs pour éviter que l'eau entre dans l'air d'échappement du compresseur.

Suite à la page suivante

**GUIDE DE DÉPANNAGE POUR LES UNITÉS EN SERVICE PENDANT UNE PÉRIODE DE TEMPS (SUITE)**

Symptôme	Cause(s) Possible(s)	Action Corrective
Huile dans l'air de décharge	<ol style="list-style-type: none"><li>1. Filtre d'aspiration entravé</li><li>2. Mauvais type d'huile</li><li>3. Anneaux usés ou cylindre marqué</li><li>4. Le compresseur tourne à chaud</li></ol>	<ol style="list-style-type: none"><li>1. Le filtre doit être changé fréquemment pour éviter les problèmes possibles et pour permettre une opération efficace du compresseur. Il y a un vide créé dans l'aspiration du compresseur ce qui mène à une forte consommation d'huile en attirant de l'huile par les anneaux. Il y a aussi une possibilité de destruction de média du filtre d'aspiration permettant aux contaminants d'entrer par l'aspiration et mener à des problèmes d'usure.</li><li>2. Ne pas utiliser d'huile de type automobile SAE-30. Utiliser la mauvaise huile peut causer divers problèmes de pompe et annulera la garantie. Utiliser seulement des huiles recommandées dans le manuel d'utilisation.</li><li>3. Remplacer les anneaux et/ou remplacer le cylindre</li><li>4. S'assurer que le compresseur tourne à la bonne rotation. Le compresseur doit être propre et dans un endroit bien ventilé. L'huile doit être changée à des intervalles réguliers selon les spécifications indiquées dans le manuel. Le filtre d'air doit être changé, car il se salit.</li></ol>

## INSTRUCTIONS D'ENTRETIEN ET D'INSPECTION



**⚠ AVERTISSEMENT** *Débrancher, étiquetter, verrouiller la source de puissance et ensuite dissiper toute la pression du système avant d'essayer d'installer, réparer, déplacer ou de procéder à l'entretien.*

Vérifier le filtre à air et le niveau d'huile avant chaque utilisation afin de garder le système de compresseur en bon état de marche. Inspecter la soupape de sûreté ASME quotidiennement. Tirer sur la bague de la soupape de sûreté et la laisser revenir à ça position normale. Cette soupape laisse échapper de l'air automatiquement si la pression dans le réservoir dépasse la pression maximale réglée d'avance. Remplacer la soupape de sûreté ASME s'il y a une fuite d'air une fois que la soupape soit lâchée ou si la soupape est grippée.

### **Graissage du Compresseur**

Voir l'installation. Ajouter de l'huile si nécessaire. Changer l'huile chaque trois mois ou après chaque 500 heures d'opération, selon laquelle arrive en premier.

### **Filtre à Air**

Ne jamais utiliser le compresseur sans un filtre à air d'admission ni avec un filtre à air d'admission obstrué. Utiliser de l'air comprimé et souffler sur le filtre pour le nettoyer ou le remplacer si sale. Ne pas laver ni graisser la cartouche. L'utilisation d'un compresseur avec un filtre sale peut augmenter la consommation d'huile et peut augmenter la contamination d'huile dans l'air.

### **Refroidisseur (compresseurs à deux étages seulement)**

**⚠ ATTENTION** *Les ailettes du refroidisseur sont pointues, toujours porter des gants et prendre précaution pendant le nettoyage du refroidisseur ou si vous travaillez près du refroidisseur.*

Vérifier le serrage de tous les raccords du refroidisseur chaque semaine. Nettoyer la saleté, la poussière et toutes autres accumulations des ailettes du refroidisseur.

### **Pièces détachées**

Couper tout courant et nettoyer la tête du cylindre, le moteur, les lames du ventilateur, les conduites d'air, le refroidisseur et le réservoir chaque mois.

### **Courroies**

**⚠ AVERTISSEMENT** *Mettre hors circuit et étiquetter la source de puissance et dissiper toute pression du réservoir pour éviter le mouvement inattendu du modèle.*

Vérifier la rigidité des courroies chaque 3 mois. Ajuster la rigidité des courroies afin de permettre une déflexion de 0,9 cm à 1,2 cm avec pression du pouce normale. Aligner les courroies en utilisant une limande contre la face du volant et en touchant le limbe sur les deux bords de la face. Les courroies devraient être parallèles à la limande (Voir la Figure 3). Dimension A devrait être la même que B et C pour assurer l'alignement correct des courroies.

Des fentes dans la plaque permettent que le moteur glisse en avant et en arrière pour ajuster la tension de la courroie.

## INSTRUCTIONS D'ENTRETIEN ET D'INSPECTION (SUITE)

### Entreposage

Pour l'entreposage à courte durée, assurer que le compresseur soit entreposé dans sa position normale et dans un endroit frais et protégé.

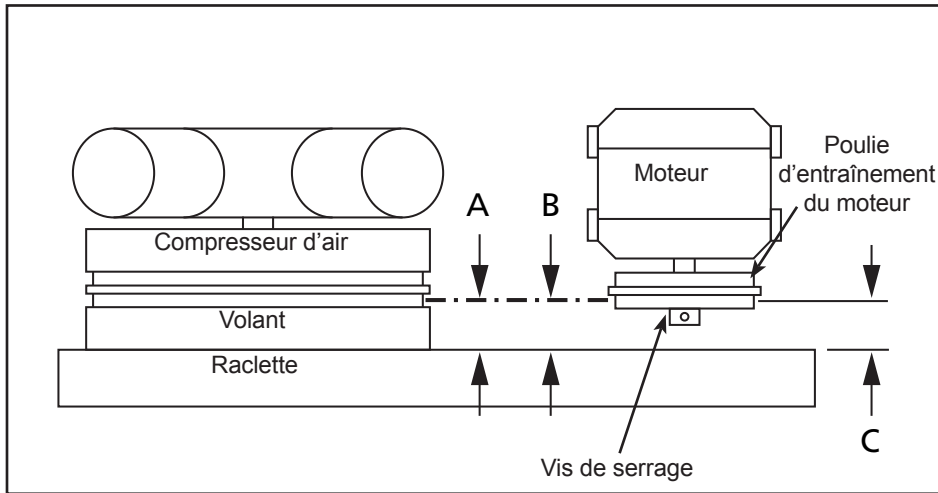


Figure 4 - Vue du dessus

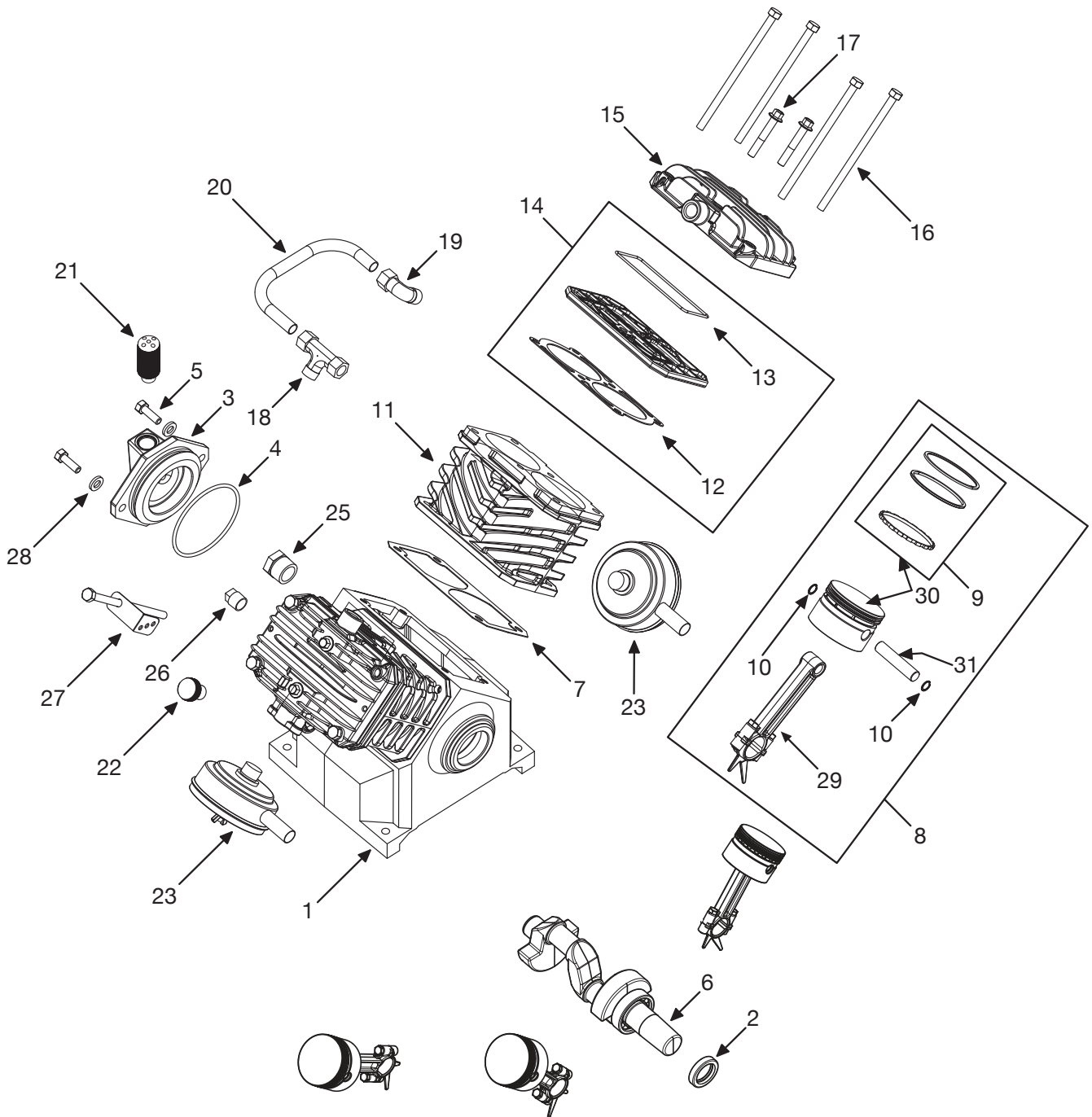
### HORAIRE D'ENTRETIEN

Fonctionnement	Quotidiennement	Semaine	Mensuellement	3 Mois
Vérifier le niveau d'huile	●			
Nettoyer ou changer le filtre à air			●	
Vérifier le refroidisseur (compresseurs à deux étages)		●		
Vérifier le serrage de la courroie				●
Changer l'huile (Voir la Figure 3)				●
Changer filtre d'huile (Pour pompes à graissage pressurisé seulement)				●





## ILLUSTRATION DES PIÈCES DÉTACHÉES POUR LES MODÈLE 40KH92



### **Pour commander des pièces détachées, composer le 1-800-Grainger**

**24 heures par jour – 365 jours par an**

Fournir les informations suivantes :

- Numéro de modèle
- Numéro de série (s'il y en a un)
- Description et numéro de pièce comme indiqué sur la liste des pièces

F16

**LISTE DES PIÈCES DÉTACHÉES POUR LES MODÈLE 40KH92**

N° de réf.	Description	Numéro de pièce :	Qté
1	Carter	TQ010001AV	1
2	Bague d'étanchéité d'huile	ST120000AV	1
3	Chapeau de palier	TQ010201AV	1
4	Joint torique	●	1
5	Vis à tête hexagonale M8 x 1-1/4 po x 25 mm	†	2
6	Assemblage de roulement à billes et vilebrequin	TQ900201AJ	1
7	Joint d'étanchéité de carter	●	2
8	Assemblage de bielle	■	4
9	Jeu de segments de piston (deux jeux)	VT911200AV ■	2
10	Anneau de retenue interne	■	8
11	Cylindre	VT040915AV	2
12	Joint d'étanchéité de cylindre	●	2
13	Joint torique moulé quad	●	2
14	Jeu de plaque de soupape	VT470800AJ	2
15	Tête du cylindre	▲	2
16	Vis à tête hexagonale M8 x 150 mm	▲	8
17	Vis d'accouplement	▲	4
18	Raccord en T d'échappement	TQ901100AV	1
19	Raccord en coude d'échappement	TQ901200AV	1
20	Tuyau d'échappement	TQ901300AV	1
21	Reniflard	VH901100AV	1
22	Bouchon de remplissage d'huile	VH900800AV	1
23	Filtre d'air avec élément	VH901700AV	2
24 ▲	Élément de filtre d'air seulement	VH901800AV	2
25	Regard	VH901000AV	1
26	Bouchon de tuyau de 1/4 po (6,4 mm) NPT	ST072915AV	1
27	Support de carter de courroie	TQ012000AV	1
28	Rondelle de laiton	ST070925AV	2
29	Bielle de connexion	TQ010901AJ	4
30	Trousse de piston avec anneaux	TQ901700AV	4
31	Trousse de goupille de bielle (#10 (2) compris)	TQ901800AV	4
<b>NÉCESSAIRES DE PIÈCES DE RECHANGE</b>			
▲	Trousse d'attaches et culasse	TQ900800AJ	
■	Trousse d'assemblage d'anneau de piston / bielle	TQ901500AV	
●	Nécessaire de joint d'étanchéité	TQ901001AJ	
▲	Pas indiquée		
†	Article normal de quincaillerie		

## **GARANTIA LIMITADA DE SPEEDAIRE POR UN AÑO**

**GARANTIA LIMITADA DE SPEEDAIRE POR UN AÑO.** W.W. Grainger (“Grainger”) le garantiza al usuario original que todos los modelos de los productos Speedaire® tratados en este manual están libres de defectos en la mano de obra o el material, cuando se les somete a uso normal, por un año a partir de la fecha de compra. Si el producto Speedaire es parte de un juego, sólo la parte defectuosa está sujeta a esta garantía. Cualquier producto o parte que se halle defectuoso, ya sea en el material o en la mano de obra, y sea devuelto (con los costos de envío pagados por adelantado) a un centro de servicio autorizado designado por Grainger o por una entidad designada por Grainger, será reparado o reemplazado (no existe otra posibilidad) por un producto o parte nuevo o reacondicionado de igual uso o se le reembolsará el costo total, según lo determine Grainger o una entidad designada por Grainger, libre de costo. Para obtener información sobre los procedimientos de reclamo cubiertos en la garantía limitada, vea la sección “Servicio de Garantía” que aparece más adelante. Se anulará esta garantía si se detecta evidencia de mal uso, reparación defectuosa, instalación defectuosa, abuso o modificación. Esta garantía no cubre desgaste y ruptura normal de los productos Speedaire o parte de los mismos, o productos o partes de los mismos que se pueden utilizar durante uso normal. Esta garantía limitada les otorga a los compradores derechos legales específicos y también puede usted tener otros derechos que varíen de jurisdicción a jurisdicción.

### **EXCLUSIÓN DE RESPONSABILIDAD DE LA GARANTÍA Y LÍMITES DE RESPONSABILIDAD RELACIONADOS A TODOS LOS CLIENTES PARA TODOS LOS PRODUCTOS**

**LÍMITES DE RESPONSABILIDAD.** EN LA MEDIDA EN QUE LAS LEYES APLICABLES LO PERMITAN, LA RESPONSABILIDAD DE GRAINGER POR LOS DAÑOS EMERGENTES O INCIDENTALES ESTÁ EXPRESAMENTE EXCLUIDA. LA RESPONSABILIDAD DE GRAINGER EXPRESAMENTE ESTÁ LIMITADA Y NO PUEDE EXCEDER EL PRECIO DE COMPRA PAGADO POR EL ARTÍCULO.

**EXCLUSIÓN DE RESPONSABILIDAD DE LA GARANTÍA.** SE HA HECHO UN ESFUERZO DILIGENTE PARA PROPORCIONAR INFORMACIÓN E ILUSTRACIONES APROPIADAS SOBRE LOS PRODUCTOS SPEEDAIRE EN ESTE MANUAL; SIN EMBARGO, ESTA INFORMACIÓN Y LAS ILUSTRACIONES TIENEN COMO ÚNICO PROPOSITO LA IDENTIFICACIÓN DE LOS PRODUCTOS Y NO EXPRESAN NI IMPLICAN GARANTÍA DE QUE LOS PRODUCTOS SPEEDAIRE SEAN VENDIBLES O ADECUADOS PARA UN PROPOSITO EN PARTICULAR NI QUE SE AJUSTAN NECESARIAMENTE A LAS ILUSTRACIONES O DESCRIPCIONES. CON EXCEPCIÓN DE LO QUE SE ESTABLECE A CONTINUACIÓN, GRAINGER NO HACE NI AUTORIZA NINGUNA GARANTÍA O AFIRMACIÓN DE HECHO, EXPRESA O IMPLÍCITA, QUE NO SEA ESTIPULADA EN LA “GARANTÍA LIMITADA” ANTERIOR.

**ADAPTACIÓN DEL PRODUCTO.** MUCHAS JURISDICCIÓNES TIENEN CÓDIGOS O REGULACIONES SOBRE LA VENTA, EL DISEÑO, LA INSTALACIÓN Y/O EL USO DE PRODUCTOS PARA CIERTAS APLICACIONES; DICHAS LEYES PUEDEN VARIAR DE UN ÁREA A OTRA. SI BIEN SE TRATA DE QUE LOS PRODUCTOS SPEEDAIRE CUMPLAN CON DICHS CÓDIGOS, NO SE PUEDE GARANTIZAR SU CONFORMIDAD Y NO SE PUEDE HACER RESPONSABLE POR LA FORMA EN QUE SE INSTALE O USE SU PRODUCTO. ANTES DE COMPRAR Y USAR EL PRODUCTO, REVISE LA INFORMACIÓN DE SEGURIDAD/ESPECIFICACIONES, Y TODOS LOS CÓDIGOS Y REGULACIONES NACIONALES Y LOCALES APLICABLES, Y ASEGURESE QUE LOS PRODUCTOS SPEEDAIRE, LA INSTALACIÓN Y EL USO LOS CUMPLAN.

**CONSUMIDOR SOLAMENTE.** CIERTOS ASPECTOS DE LÍMITE DE RESPONSABILIDAD NO SE APLICAN A PRODUCTOS AL CONSUMIDOR; ES DECIR (A) ALGUNAS JURISDICCIÓNES NO PERMITEN LA EXCLUSIÓN NI LIMITACIÓN DE DAÑOS INCIDENTALES O CONSECUENTES, DE MODO QUE LAS LIMITACIONES O EXCLUSIONES ANTERIORES QUIZAS NO APLIQUEN EN SU CASO; (B) ASIMISMO, ALGUNAS JURISDICCIÓNES NO PERMITEN LIMITAR EL PLAZO DE UNA GARANTÍA IMPLÍCITA, POR LO TANTO, LA LIMITACIÓN ANTERIOR QUIZAS NO APLIQUE EN SU CASO; Y (C) POR LEY, MIENTRAS LA GARANTÍA LIMITADA ESTE VIGENTE NO PODRÁN EXCLUIRSE NI LIMITARSE EN MODO ALGUNO NINGUNA GARANTÍA IMPLÍCITA DE COMERCIALIZACIÓN O DE IDONEIDAD PARA UN PROPOSITO EN PARTICULAR APLICABLES A LOS PRODUCTOS AL CONSUMIDOR ADQUIRIDOS POR ESTE.

ESTA GARANTÍA LIMITADA APLICA ÚNICAMENTE A LOS PRODUCTOS SPEEDAIRE COMPRADOS POR COMPRADORES EN LOS ESTADOS UNIDOS PARA ENTREGA EN LOS ESTADOS UNIDOS.

### **SERVICIO DE GARANTÍA**

Para obtener un servicio de garantía si compró un producto cubierto directamente de W.W. Grainger, Inc. (“Grainger”), (i) escriba, llame o visite la sucursal local de Grainger donde compró el producto u otra sucursal de Grainger cerca de usted (visite [www.grainger.com](http://www.grainger.com) para obtener una lista de las sucursales); o (ii) comuníquese con Grainger visitando [www.grainger.com](http://www.grainger.com) y haga clic en el enlace “Contact Us” en la parte superior de la página, luego haga clic en enlace “Email us”; o (iii) llame a Servicio al Cliente (libre de cargo) al 1-888-361-8649. Para obtener servicio de garantía si compró el producto cubierto a través de otro distribuidor o minorista, (i), visite [www.grainger.com](http://www.grainger.com) para el Servicio de Garantía; (ii) escriba, llame o visite la sucursal de Grainger cerca de usted; o (iii) llame a Servicio al Cliente (libre de cargo) al 1-888-361-8649. En cualquiera de los casos, necesitará proporcionar, cuando esté disponible, la fecha de compra, el número de factura original, el número de pieza, una descripción del defecto, y cualquier otra información que especifique esta Garantía limitada de Speedaire por un año. Se le podría solicitar que envíe el producto a su propio coste para que lo inspeccionen. Puede hacer un seguimiento de los avances de las inspecciones y medidas correctivas de la misma forma. El título y el riesgo de pérdida pasa del comprador en el momento de la entrega a la compañía de transporte, por lo que si el producto sufre daños durante el transporte, presente un reclamo a la compañía transportista, no al minorista o Grainger. Para información sobre la garantía para compradores y/o entregas fuera de los Estados Unidos, comuníquese con:

**W.W. Grainger, Inc.**

**100 Grainger Parkway, Lake Forest, IL 60045 EE.UU.**

**o llame al +1-888-361-8649**