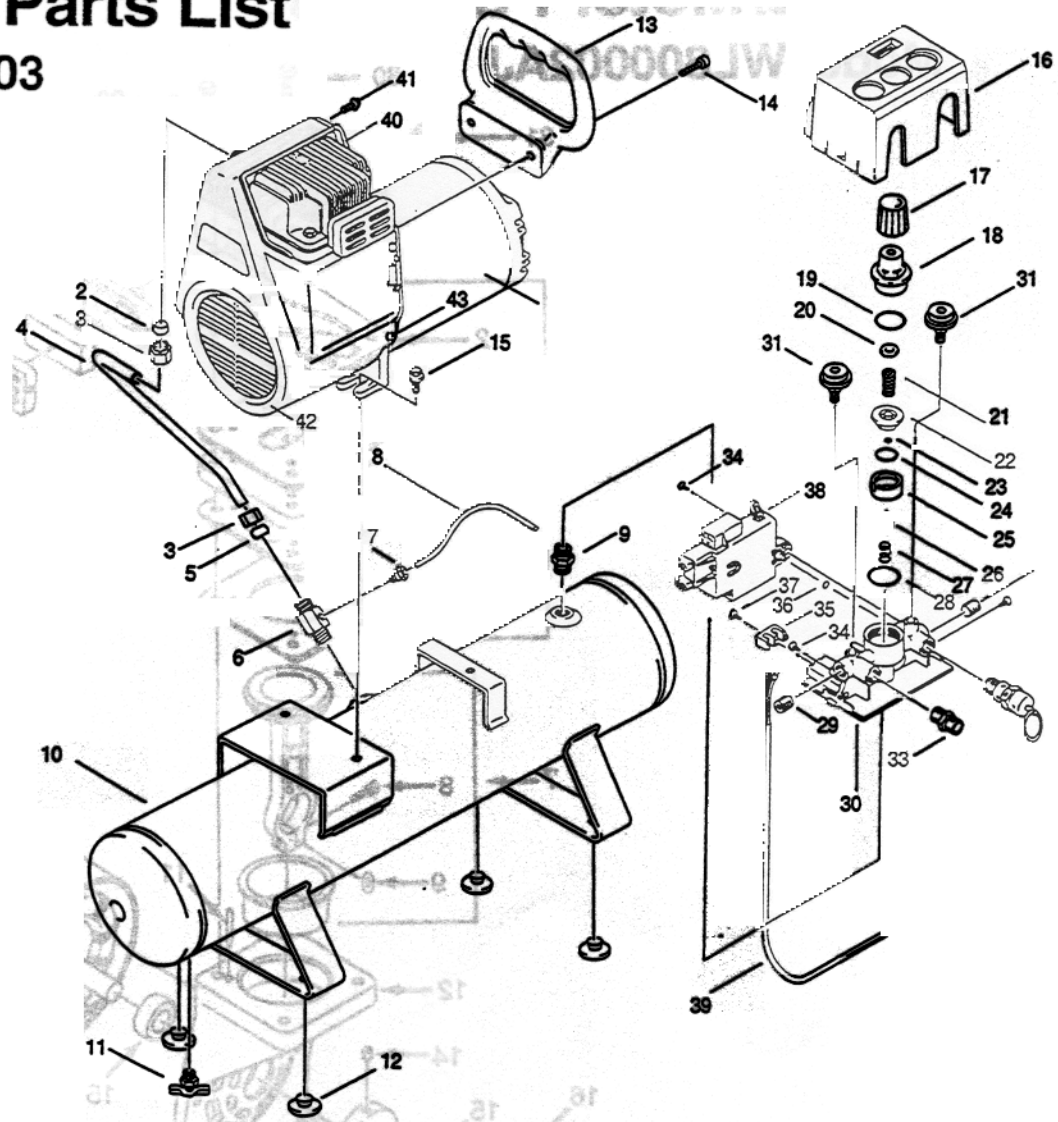


Whole Unit Parts List

Model WL510003



Key	Description	Part Number	Qty.
1	Pump/motor	WL300002AJ	1
2	Ferrule, brass	ST032900AV	1
3	Compression nut	ST033001AV	2
4	Exhaust tube	WL001600AP	1
5	Ferrule, rubber	ST067300AV	1
6	Check valve	CV220306AJ	1
7	1/8 NPT Hose barb	HF005000AV	1
8	Flex tube	ST079704AV	1
9	1/4 - 18 NPT nipple	HF002401AV	1
10	Air receiver Model WL/EX/CL5100	AR026500KK	1
	Air receiver Model CL7000	AR026500JY	1
11	Drain cock	D-1401	1
12	Foot	ST113000AV	4
13	Handle	WL002900AV	1
14	M5 x .8 x 31 screw	ST129303AV	2
15	Mounting bolt	ST116400AV	3
16	Manifold shroud	RE009403AV	1
17	†Adjusting knob	RE009701AV	1
18	†Regulator top	RE009501AG	1
19	†O-ring	ST070180AV	1
20	†Spring plate	RE009800AV	1
21	†Spring	ST114500AV	1
22	†Piston	RE009900AV	1
23	†O-ring	ST070160AV	1

Key	Description	Part Number	Qty.
24	†O-ring	ST070161AV	1
25	†Valve seat	RE010000AV	1
26	†Valve stem	RE010100AV	1
27	†Spring	RE010300AV	1
28	†O-ring	ST070162AV	1
29	†Pipe plug	ST022500AV	1
30	†Manifold body	RE009301AG	1
31	Gauge	GA016101AV	1
32	Safety valve	V-215100AV	1
33	Hose connector	HF002400AV	1
34	Screw	ST073224AV	1
35	Strain relief	ST081902AV	1
36	O-ring	ST008600AV	1
37	8 - 32 1/2 Screw, thread form	ST073233AV	1
38	Pressure switch	CW208102AV	1
39	Power cord	EC010701AV	1
40	Rear shroud	WL002102AV	1
41	Plascrew, M3	ST158400AV	1
42	Front shroud	WL001301AV	1
43	M4 x .7 x 13 shroud screw	ST129301AV	1
†	Regulator assembly	CV220100AJ	1

▲ WARNING ▲

Release all pressure and disconnect power before making any repair. All electrical work must be done by a qualified (licensed or certified) electrician.