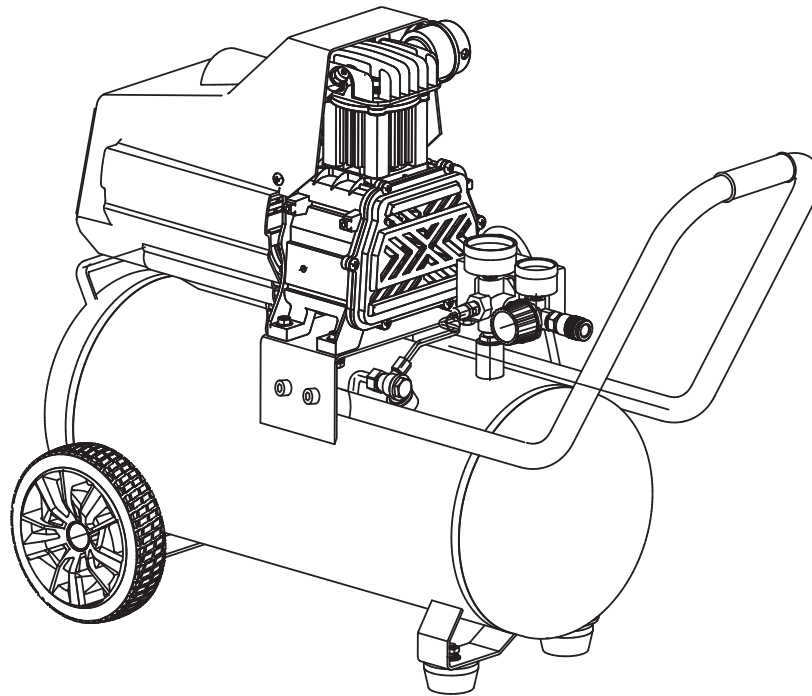




Oilless Compressors

Operating Instructions and Parts Manual



Model: AC080100 and DC080100

EN



Please read and save these instructions. Read carefully before attempting to assemble, install, operate or maintain the product described.

Protect yourself and others by observing all safety information. Failure to comply with instructions could result in personal injury and/or property damage! Retain instructions for future reference.

REMINDER: Keep your dated proof of purchase for warranty purposes! Attach it to this manual or file it for safekeeping.

Model #: _____

Serial #: _____

Purchase Date: _____

For parts, product & service information
visit www.campbellhausfeld.com

Campbell Hausfeld
350 Embry Drive
Leitchfield, KY, 42754

REGISTER YOUR PRODUCT ONLINE NOW! www.campbellhausfeld.com/reg
READ AND FOLLOW ALL INSTRUCTIONS • SAVE THESE INSTRUCTIONS • DO NOT DISCARD



/CampbellHausfeld

@CHCompressors



CHcompressors

CHcompressors



CHcompressors

#CampbellHausfeld

BEFORE YOU BEGIN

Description

This residential oilless compressor is designed for do-it-yourselfers with a variety of home and automotive jobs. These compressors power spray guns, impact wrenches and other tools. Compressed air from this unit will contain moisture. Install a water filter or air dryer if application requires dry air.

UNPACKING

⚠ CAUTION

Do not lift or move unit without appropriately rated equipment. Be sure the unit is securely attached to lifting device used. Do not lift unit by holding onto tubes or coolers. Do not use unit to lift other attached equipment.

After unpacking the unit, inspect carefully for any damage that may have occurred during transit. Check for loose, missing or damaged parts. Check to be sure all supplied accessories are enclosed with the unit. In case of questions, damaged or missing parts, please visit www.campbellhausfeld.com for customer assistance.



DO NOT RETURN THE PRODUCT TO THE RETAILER!

⚠ WARNING

Do not operate unit if damaged during shipping, handling or use. Damage may result in bursting and cause injury or property damage.

GENERAL SAFETY INSTRUCTIONS

Safety Guidelines

This manual contains information that is very important to know and understand. This information is provided for SAFETY and to PREVENT EQUIPMENT PROBLEMS. To help recognize this information, observe the following symbols.

⚠ DANGER

Danger indicates an imminently hazardous situation which, if not avoided, WILL result in death or serious injury.

⚠ WARNING

Warning indicates a potentially hazardous situation which, if not avoided, COULD result in death or serious injury.

⚠ CAUTION

Caution indicates a potentially hazardous situation which, if not avoided, MAY result in minor or moderate injury.

NOTICE

Notice indicates important information, that if not followed, may cause damage to equipment.

IMPORTANT or NOTE: Information that requires special attention.

Safety Symbols

The following Safety Symbols appear throughout this manual to alert you to important safety hazards and precautions.



Wear Eye
and Mask
Protection



Read
Manual
First



Wear eye
and hearing
protection



Risk of
Fire



Risk of
Hot Parts



Risk of
Explosion



Risk of Shock



Risk of
Pressure

GENERAL SAFETY INSTRUCTIONS (CONTINUED)

California Proposition 65



WARNING

This product can expose you to chemicals including lead, which are known to the State of California to cause cancer and birth defects or other reproductive harm. For more information go to www.P65Warnings.ca.gov.



WARNING

You can create dust when you cut, sand, drill or grind materials such as wood, paint, metal, concrete, cement, or other masonry. This dust often contains chemicals known to cause cancer, birth defects, or other reproductive harm. Wear protective gear.

Illinois Lead Poisoning Prevention Act



WARNING

CONTAINS LEAD. MAY BE HARMFUL IF EATEN OR CHEWED. COMPLIES WITH FEDERAL STANDARDS.

Important Safety Information

Please read and save these instructions. Read carefully before attempting to assemble, install, operate or maintain the product described. Protect yourself and others by observing all safety information. Failure to comply with instructions could result in personal injury and/or property damage! Retain instructions for future reference.

This manual contains important safety, operational and maintenance information. If you have any questions, please visit www.campbellhausfeld.com for customer assistance.

⚠ DANGER

BREATHABLE AIR WARNING

This compressor/pump is not equipped and should not be used "as is" to supply breathing quality air. For any application of air for human consumption, the air compressor/pump will need to be fitted with suitable in-line safety and alarm equipment. This additional equipment is necessary to properly filter and purify the air to meet minimal specifications for Grade D breathing as described in Compressed Gas Association Commodity Specification G 7.1, OSHA 29 CFR 1910. 134, and/or Canadian Standards Associations (CSA).

DISCLAIMER OF WARRANTIES

In the event the compressor is used for the purpose of breathing air application and proper in-line safety and alarm equipment is not simultaneously used, existing warranties shall be voided, and Campbell Hausfeld disclaims any liability whatsoever for any loss, personal injury or damage.

General Safety

Since the air compressor and other components (material pump, spray guns, filters, lubricators, hoses, etc.) used make up a high pressure pumping system, the following safety precautions must be observed at all times:



WARNING

Do not run unattended. Leaving compressor in AUTO position may allow it to turn on inadvertently. To prevent this and possible damage from power surge, turn to OFF position after each use.



1. Read all manuals included with this product carefully. Be thoroughly familiar with the controls and the proper use of the equipment.
2. Follow all local electrical and safety codes as well as in the United States, the National Electrical Codes (NEC) and Occupational Safety and Health Act (OSHA).
3. Only persons well acquainted with these rules of safe operation should be allowed to use the compressor.
4. Keep visitors away and NEVER allow children in the work area.
5. Wear safety glasses and use hearing protection when operating the unit.
6. Do not stand on or use the unit as a handhold.
7. Before each use, inspect compressed air system and electrical components for signs of damage, deterioration, weakness or leakage. Repair or replace defective items before using.
8. Check all fasteners at frequent intervals for proper tightness.



GENERAL SAFETY INFORMATION (CONTINUED)



⚠ WARNING *Motors, electrical equipment and controls can cause electrical arcs that will ignite a flammable gas or vapor. Never operate or repair in or near a flammable gas or vapor. Never store flammable liquids or gases in the vicinity of the compressor.*



⚠ CAUTION *Compressor parts may be hot even if the unit is stopped.*

9. Keep fingers away from a running compressor; fast moving and hot parts will cause injury and/or burns.
10. If the equipment should start to vibrate abnormally, STOP the engine/motor and check immediately for the cause. Vibration is generally a warning of trouble.



11. To reduce fire hazard, keep engine/motor exterior free of oil, solvent, or excessive grease.

⚠ WARNING *Never remove or attempt to adjust safety valve. Keep safety valve free from paint and other accumulations.*

⚠ WARNING *Never use plastic (PVC) pipe for compressed air. Serious injury or death could result.*



⚠ DANGER *Never attempt to repair or modify a tank! Welding, drilling or any other modification will weaken the tank resulting in damage from rupture or explosion. Always replace worn, cracked or damaged tanks.*

NOTICE *Drain liquid from tank daily.*

12. Tanks rust from moisture build-up, which weakens the tank. Make sure to drain tank regularly and inspect periodically for unsafe conditions such as rust formation and corrosion.
13. Fast moving air will stir up dust and debris which may be harmful. Release air slowly when draining moisture or depressurizing the compressor system.

Spraying Precautions



⚠ WARNING *Do not spray flammable materials in vicinity of open flame or near ignition sources including the compressor unit.*



14. Do not smoke when spraying paint, insecticides, or other flammable substances.
15. Use a face mask / respirator when spraying and spray in a well ventilated area to prevent health and fire hazards.
16. Do not direct paint or other sprayed material at the compressor. Locate compressor as far away from the spraying area as possible to minimize overspray accumulation on the compressor.
17. When spraying or cleaning with solvents or toxic chemicals, follow the instructions provided by the chemical manufacturer.

SPECIFICATIONS

AC080100, DC080100	
Motor HP	2
Tank Capacity	8 gallon
Phase	Single
Number of Cylinders	1
Air Delivery @ 90 PSI	3.7 SCFM
Voltage	120
Amperes	14A
Hertz (Cycle)	60
Maximum Pressure	150
Tank Outlet	1/4 inch IM
Unit Weight	61.29 pounds

DIMENSIONS

AC080100, DC080100	
Length	26.6 inch
Width	14.2 inch
Height	25 inch

ASSEMBLY INSTRUCTIONS

Handle Assembly (Figure 1)

1. Place ends of handle around tank and into the mounting pipe. Align holes in handle to holes in mounting pipe.
2. Assemble four (4) screws (from parts package) through holes in mounting pipe and handle. Tighten screws.

⚠ WARNING

Never use the handle to lift the unit completely off the ground.

Only use the handle to lift one end so the wheels may be used to move the unit.

Wheel Assembly (Figure 2)

Wheel assembly kit includes:

- 2 wheels*
- 2 axle bolts*
- 2 washers*
- 2 nuts*
- 2 wheel caps*

The items marked with an asterisk (*) were shipped loose with the unit.

1. Wheel has an offset hub. Place wheel insert into center of hub. With offset hub facing axle iron, assemble axle bolt through washer and then holes in wheel and axle iron.
2. Place lock washer on axle bolt. Then tighten nut securely to threaded part of axle bolt.
3. Repeat procedure with other side.

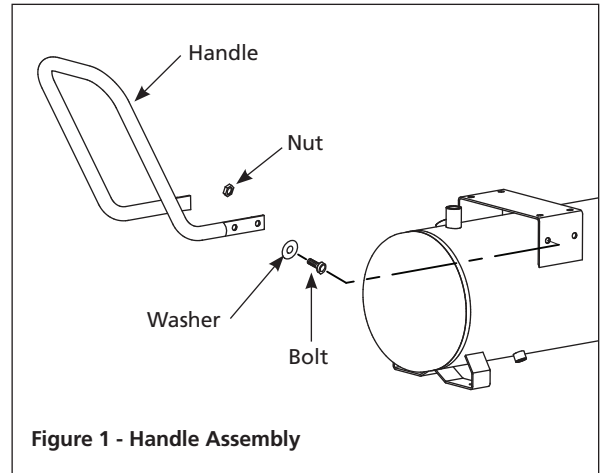


Figure 1 - Handle Assembly

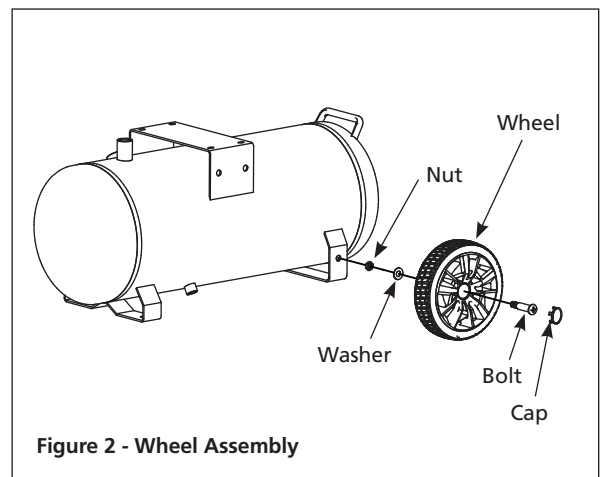


Figure 2 - Wheel Assembly

GETTING TO KNOW YOUR UNIT

Pressure Switch - Auto/Off Switch - In the "AUTO" position, the compressor shuts off automatically when tank pressure reaches the maximum preset pressure. In the "OFF" position, the compressor will not operate. This switch should be in the "OFF" position when connecting or disconnecting the power cord from the electrical outlet.

Regulator - The regulator controls the amount of air pressure at the hose outlet.

ASME Safety Valve - This valve automatically releases air if the tank pressure exceeds the preset maximum.

Exhaust Tube - This tube carries compressed air from the pump to the check valve. This tube becomes very hot during use. To avoid the risk of severe burns, never touch the discharge tube.

Check Valve - One-way valve that allows air to enter the tank, but prevents air in the tank from flowing back into the compressor pump.

Handle - Designed to move the compressor.

⚠ WARNING *Never use the handle on wheeled units to lift the unit completely off the ground.*

Drain Valve - This valve is located on the bottom of the tank. Use this valve to drain moisture from the tank daily to reduce the risk of corrosion.

Pressure Gauges - These gauges will show air pressure in the compressor tank and at the compressor outlet.

Outlet Pressure Gauge - Will show air pressure at the outlet in pounds per square inch (PSI). Make sure this gauge reads ZERO (by adjusting regulator knob fully counterclockwise) before changing air tools or disconnecting air hose from outlet.

Tank Pressure Gauge - Will show air pressure in tank while the compressor is running, indicating compressor is building pressure properly. This gauge will show maximum pressure of compressor when it shuts off automatically at the pressure switch.

Motor Reset - (not shown, located inside motor). Designed to keep the motor from overheating. The motor has an auto reset protector. To reset once the motor has cooled, turn the pressure switch to the OFF position, then to the AUTO position.

⚠ CAUTION *This compressor is equipped with an overload protector which will shut off motor if it becomes overloaded.*

⚠ CAUTION *If the overload protector is actuated, the motor must be allowed to cool down for approximately 30 minutes before it will reset.*

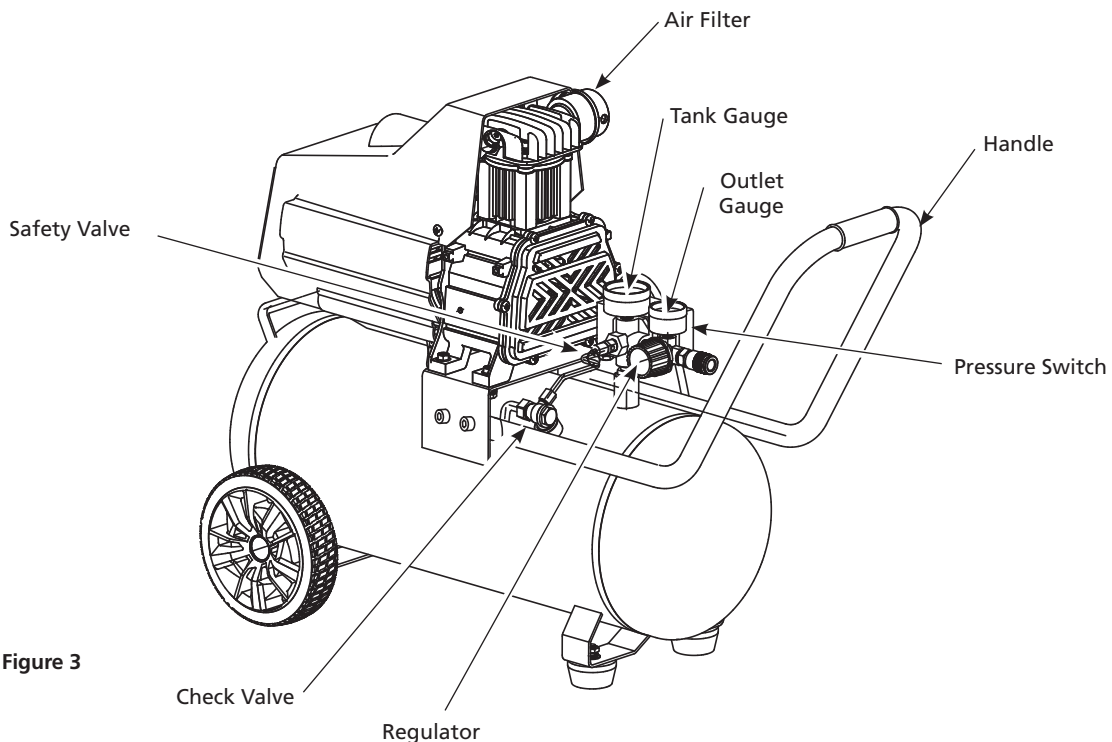


Figure 3

INSTALLATION INSTRUCTIONS

Location

It is extremely important to install the compressor in a clean, dry, and well ventilated area. The compressor must be placed on a firm, level surface where the surrounding air temperature will not be more than 100°F.

A minimum clearance of 18 inches between the compressor and a wall is required because objects could obstruct air flow.

CAUTION

Do not locate the compressor air inlet near steam, paint spray, sandblast areas or any other source of contamination. This debris will damage the motor.



Electrical Installation

WARNING

All wiring and electrical connections should be performed by a qualified electrician. Installation must be in accordance with local codes and national electrical codes.

Wiring

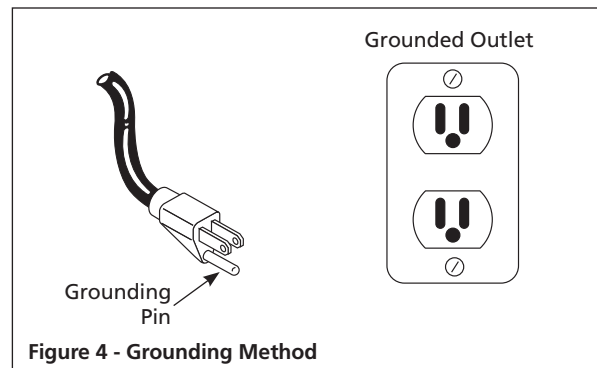
1. Local electrical wiring codes differ from area to area. Source wiring, plug and protector must be rated for at least the amperage and voltage indicated on motor nameplate, and meet all electrical codes for this minimum.
2. Use a slow blow fuse or a circuit breaker.
3. This product is for use on a nominal 120 volt circuit and has a grounding plug that looks like the plug illustrated in Figure 4. Make sure the product is connected to an outlet having the same configuration as the plug. This product must be grounded. In the event of an electrical short circuit, grounding reduces risk of electrical shock by providing an escape wire for electric current. This product is equipped with a cord having a grounding wire with an appropriate grounding plug. Plug must be plugged into an outlet that is properly installed and grounded in accordance with all local codes and ordinances.

CAUTION

Overheating, short circuiting and fire damage will result from inadequate wiring.

Minimum Gauge of Extension Cord		
25 ft.	50 ft.	100 ft.
14	12	10

Use of an extension cord may cause excess heat to motor. This could lead to tripped breaker (at electrical panel) or tripped thermal overload (on compressor motor). If this occurs, eliminate extension cord and plug compressor directly into electrical outlet. Avoid using extension cords; use longer air hose(s) instead.



OPERATING INSTRUCTIONS

Before First Start-Up Break-In Procedure

(Complete this procedure before using compressor for the first time. Once completed, it is not necessary to repeat.)

1. Open drain valve located on bottom of tank.
2. Turn **ON/OFF** switch to **OFF** position.
3. Plug in power cord.
4. Turn **ON/OFF** switch to **ON** position and run compressor for 30 minutes.
5. Turn **ON/OFF** switch to **OFF** position.
6. Unplug power cord.
7. Close drain valve.

The compressor is now ready for use.

Operating Procedure

1. Turn switch to **OFF** position and plug in power cord.
2. Turn regulator knob counterclockwise to close air flow.
3. Turn switch to **AUTO** position.
4. Compressor will build to maximum pressure and shut off.
5. With hose attached to outlet of compressor, attach tire chuck or other tool to open end of hose.
6. Adjust regulator to proper pressure for tool or tire. Operate tool per instructions.

As air is depleted from the tank by use of a tire chuck, tool, etc., the compressor will restart automatically at its preset "cut-in" pressure. When a tool is being used continuously, the compressor will cycle on and off automatically.

7. Turn switch to **OFF** position, unplug power cord and drain tank of air when finished using compressor.

MOISTURE IN COMPRESSED AIR

Moisture in compressed air will form into droplets as it comes from an air compressor pump. When humidity is high or when a compressor is in continuous use for an extended period of time, this moisture will collect in the tank. When using a paint spray or sandblast gun, this water will be carried from the tank through the hose, and out of the gun as droplets mixed with the spray material.

IMPORTANT: This condensation will cause water spots in a paint job, especially when spraying other than water based paints. If sandblasting, it will cause the sand to cake and clog the gun, rendering it ineffective.

A filter in the air line, located as near to the gun as possible, will help eliminate this moisture.

TROUBLESHOOTING GUIDE

SYMPTOM	POSSIBLE CAUSE(S)	CORRECTIVE ACTION
Compressor will not run	<ol style="list-style-type: none"> 1. Switch in OFF position 2. No electrical power at wall outlet 3. Compressor has reached automatic shut-off pressure 4. Motor overheated 5. Loose electrical connection 6. ON / OFF switch bad 7. Pressure switch bad 8. Defective motor 	<ol style="list-style-type: none"> 1. Make sure compressor is plugged in and switch is ON. 2. Check circuit breaker or fuse at electrical panel. 3. Release air from tank until compressor restarts automatically. 4. Allow compressor to cool for approximately 30 minutes so thermal overload switch will reset. Make sure compressor is run in a clean, well-ventilated area where temperature will not exceed 100°F. 5. Check all electrical connections. 6. Replace ON / OFF switch. 7. Replace pressure switch. 8. Replace pump / motor assembly.
Fuses blow/circuit breaker trips repeatedly	<ol style="list-style-type: none"> 1. Incorrect size fuse, circuit overloaded 2. Extension cord usage - wrong gauge wire and/or too long 3. Worn check valve 4. Defective unloader valve (on pressure switch) 5. Defective motor capacitor(s) 6. Defective motor 	<ol style="list-style-type: none"> 1. Check for proper fuse, use time-delay fuse. Disconnect other electrical appliances from circuit or operate compressor on its own branch circuit. 2. Remove extension cord or refer to Extension Cord Chart on page 7. 3. Replace check valve. <p>⚠ DANGER <i>Do not disassemble check valve with air pressure in tank; bleed tank.</i></p> <ol style="list-style-type: none"> 4. Replace unloader valve. 5. Replace capacitor(s). 6. Replace motor.
Tank pressure drops when compressor shuts off	<ol style="list-style-type: none"> 1. Loose connections (fittings, tubing, etc.) 2. Open tank drain valve 3. Tank leaks 	<ol style="list-style-type: none"> 1. Check all connections with soap and water solution. Tighten; or remove and apply pipe dope or pipe tape to the threads, then reassemble. 2. Close tank drain valve. 3. Check tank for leaks with soap and water solution. If leak is detected, tank must be replaced with genuine replacement part.
Compressor runs continuously and/or air output is lower than normal/low discharge pressure	<ol style="list-style-type: none"> 1. Excessive air usage 2. Clogged intake filter 3. Open tank drain valve 4. Air leaks in piping (on machine or in outside system) 5. Piston ring worn 6. Broken valve (in pump) 7. Tank leaks 8. Defective pressure switch 	<ol style="list-style-type: none"> 1. Decrease air usage; compressor not large enough for air requirement. 2. Clean or replace filter. 3. Close tank drain valve. 4. Check all connections with soap and water solution. Tighten; or remove and apply pipe dope or pipe tape to the threads, then reassemble. 5. Replace piston and cylinder. 6. Replace valve. 7. Check tank for leaks with soap and water solution. If leak is detected, tank must be replaced with genuine replacement part. 8. Replace switch.

TROUBLESHOOTING GUIDE (CONTINUED)

SYMPTOM	POSSIBLE CAUSE(S)	CORRECTIVE ACTION
Excessive moisture in discharge air	<ol style="list-style-type: none"> 1. Excessive water in tank 2. High humidity 	<ol style="list-style-type: none"> 1. Drain tank. 2. Move to area of less humidity; use air line filter.
Knocks, rattles, and/or excessive vibration	<ol style="list-style-type: none"> 1. Loose mounting bolts 2. Tank not level 3. Cylinder or piston is worn/scored 	<ol style="list-style-type: none"> 1. Tighten bolts. 2. Use sturdy wedge/object to bring tank to level position. 3. Replace or repair as necessary.
Compressor runs continuously and safety valve opens as pressure rises	<ol style="list-style-type: none"> 1. Defective pressure switch 2. Defective safety valve 	<ol style="list-style-type: none"> 1. Replace switch. 2. Replace safety valve with genuine replacement part.
Air leaking from unloader valve on pressure switch	<ol style="list-style-type: none"> 1. Check valve stuck in an open position 2. Unloader valve stuck in open position 	<ol style="list-style-type: none"> 1. Replace check valve. 2. Replace unloader valve. <p>⚠ DANGER <i>Do not disassemble check valve with air pressure in tank; bleed tank.</i></p>

MAINTENANCE AND INSPECTION INSTRUCTIONS



⚠ WARNING

Disconnect, tag and lock out power source, then release all pressure from the system before attempting to install, service, relocate or perform any maintenance.

Check compressor often for any visible problems and follow maintenance procedures each time compressor is used.

ASME Safety Valve

⚠ WARNING

Do not remove or attempt to adjust the safety valve!

Check the safety valve by performing the following steps:

1. Plug the compressor in and run until shut off pressure is reached.
2. Wearing safety glasses, pull the ring on the safety valve to release pressure from compressor tank. Use your other hand to deflect fast-moving air from being directed toward your face.
3. The safety valve should automatically close at approximately 40 PSI - 50 PSI. If the safety valve does not allow air to be released when you pull on the ring, or if it does not close automatically, it MUST be replaced.

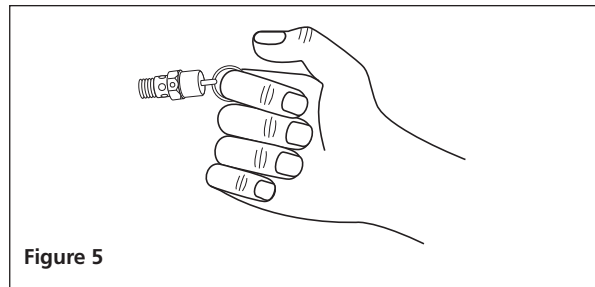


Figure 5

⚠ WARNING

Safety valve must be replaced if it cannot be actuated or it leaks air after ring is released.

Drain Tank

1. Turn compressor off and release pressure from system. (To release pressure from system, pull ring on ASME safety valve. Deflect escaping air by shielding valve with one hand as you pull ring with other hand.) Pull ring until tank is empty.

⚠ CAUTION

A large amount of fast moving air will be released when the safety valve is opened with pressure in the tank. Wear ANSI approved Z87.1 safety glasses.

2. Drain moisture from tank by opening drain valve underneath tank. Tilt tank to remove all moisture.
3. Clean dust and dirt from tank, air lines and pump cover while compressor is still OFF.

Intake Air Filter Maintenance

Removal, Inspection and Replacement (Figure 6). The intake filter element should be removed and checked periodically. A clogged intake filter can decrease compressor performance and cause the compressor to overheat.

1. Remove bolt.
2. Remove the filter cover and filter element. Inspect each piece.
3. If the filter element is dirty or clogged, replace it.
4. Reinstall filter, cover, and bolt. Thread the intake air filter into the threaded opening in the side of the compressor head as illustrated in Figure 6 before use.

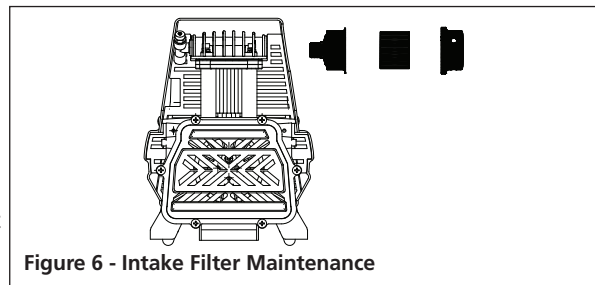


Figure 6 - Intake Filter Maintenance

IMPORTANT: Locate unit as far from spraying area as hose will allow to prevent overspray from clogging filter.

End of Operation/Storage

1. Turn AUTO/OFF switch to the **OFF** position.
2. Unplug power cord from wall outlet and wrap around handle to prevent damage when not in use.
3. Wearing safety glasses drain tank of air by pulling the ring on the safety valve. Use other hand to deflect fast moving air from being directed toward your face.
4. Drain tank of condensation by opening drain valve on bottom of tank. Tank pressure should be below 10 PSI when draining tank.

MAINTENANCE AND INSPECTION INSTRUCTIONS (CONTINUED)

5. Air hose should be disconnected from compressor and hung open ends down to allow any moisture to drain.
6. Compressor and hose should be stored in a cool, dry place.

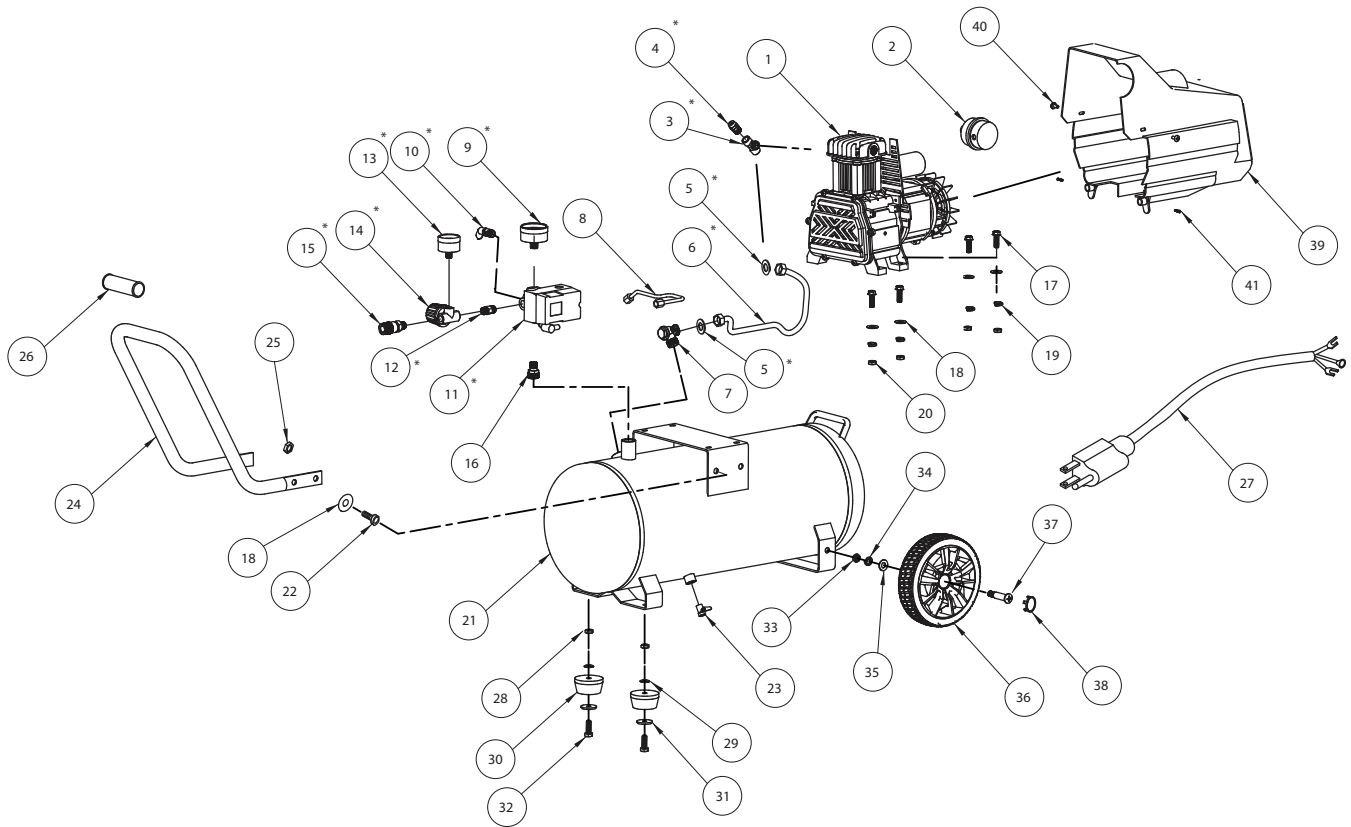
Technical Service

For information regarding the operation or repair of this product, please visit www.campbellhausfeld.com.

MAINTENANCE SCHEDULE

OPERATION	DAILY	WEEKLY	MONTHLY
DRAIN TANK	●		
CHECK AIR FILTER		●	
CHECK SAFETY VALVE		●	
CLEAN UNIT			●

REPAIR PARTS ILLUSTRATION FOR AC080100 AND DC080100



**For Repair Parts, visit www.campbellhausfeld.com
24 hours a day – 365 days a year**

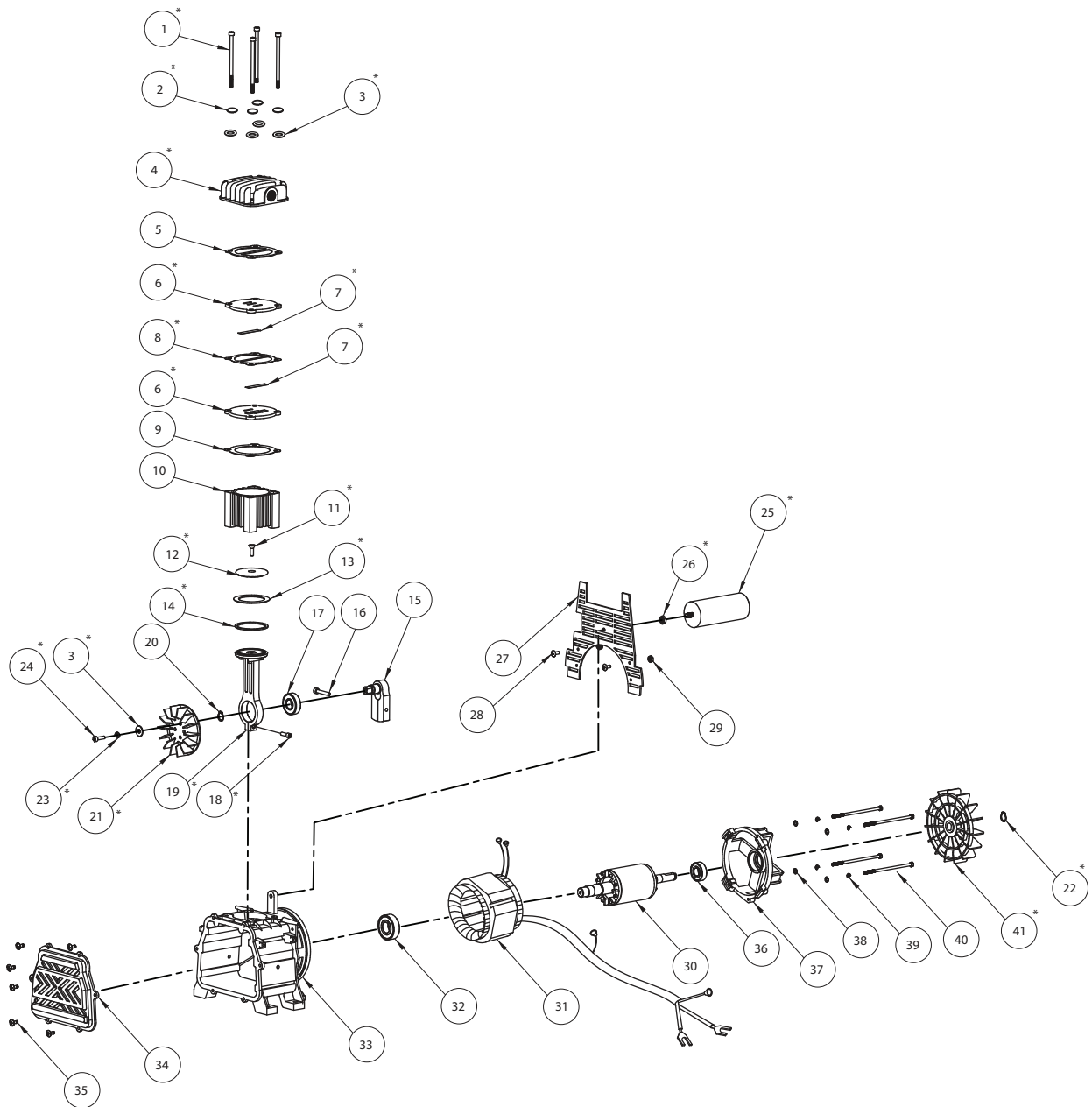
Please provide following information:

- Model number
- Serial number (if any)
- Part description and number as shown in parts list

REPAIR PARTS LIST FOR AC080100 AND DC080100

Ref. No.	Description	Part Number	Qty.
1	PUMP/MOTOR	DC080101AV	1
2	FILTER	DC080150AV	1
3	T TYPE CONNECT	●	1
4	COLD START VALVE	●	1
5	O-RING	■	2
6	EXHAUST TUBE	■	1
7	CHECK VALVE ASSEMBLY	DC080152AV	1
8	UNLOAD TUBE	DC080162AV	1
9	TANK GAUGE	▲	1
10	SAFETY VALVE	▲	1
11	PRESSURE SWITCH	▲	1
12	CONNECT	▲	1
13	OUTLET GAUGE	▲	1
14	REGULATOR	▲	1
15	COUPLER	▲	1
16	CONNECT	--	1
17	M8X25 BOLT	--	4
18	M8 WASHER	▼	8
19	M8 SPRING WASHER	--	4
20	M8 NUT	--	4
21	TANK	--	1
22	M8X15 BOLT	▼	4
23	DRAIN VALVE	DC080153AV	1
24	HANDLE	▼	1
25	M8 NUT	▼	4
26	HANDLE GRIP	▼	1
27	POWER GRIP	--	1
28	M8 NUT	--	2
29	M8 WASHER	--	2
30	RUBBER FOOT	--	2
31	WASHER	--	2
32	M8X25 BOLT	--	2
33	M10 NUT	□	2
34	M10 SPRING WASHER	□	2
35	M10 WASHER	□	2
36	WHEEL	□	2
37	BOLT	□	2
38	CAP	□	2
39	SHROUD	--	1
40	M5X12 SCREW	--	2
41	SCREW	--	2
REPLACEMENT PARTS KITS			
●	COLD START VALVE KIT	DC080154AV	
■	EXHAUST TUBE KIT	DC080151AV	
▲	PRESSURE SWITCH AND REGULATOR KIT	DC080155AV	
□	WHEEL KITS	DC080163AV	
▼	HANDLE KITS	DC080164AV	

REPAIR PARTS ILLUSTRATION FOR DC080101AV



**For Repair Parts, visit www.campbellhausfeld.com
24 hours a day – 365 days a year**

Please provide following information:

- Model number
- Serial number (if any)
- Part description and number as shown in parts list

REPAIR PARTS LIST FOR DC080101AV

Ref. No.	Description	Part Number	Qty.
1	M6X110 BOLT	●	4
2	M6 SPRING WASHER	●	4
3	M6 WASHER	● ◆	5
4	CYLINDER HEAD	●	1
5	CYLINDER HEAD GASKET	--	1
6	VALVE PLATE	■	2
7	VALVE LIFT REED	■	2
8	VALVE PLATE GASKET	■	1
9	CYLINDER GASKET	■	1
10	CYLINDER	--	1
11	M6X11 SCREW	▲	1
12	PISTON CAP	▲	1
13	PACKING LEATHER	▲	1
14	PISTON RING	▲	1
15	ECCENTRIC	--	1
16	M6X35 SCREW	--	1
17	BEARING	--	1
18	M6X18 SCREW	▲	1
19	CON-ROD	▲	1
20	EXTERNAL RETAINING RING FOR 15MM SHAFT	--	1
21	CON-ROD COOLING FAN	◆	1
22	EXTERNAL RETAINING RING FOR 14MM SHAFT	▷	1
23	M6 SPRING	◆	1
24	M6X20 SCREW	◆	1
25	CAPACITOR	▼	1
26	M8 NUT	▼	1
27	BAFFLE	--	1
28	M4X12 SCREW	--	4
29	M4 NUT	--	4
30	ROTOR	--	1
31	STATOR	--	1

Ref. No.	Description	Part Number	Qty.
32	BEARING	--	1
33	CRANKCASE	--	1
34	CRANKCASE COVER	--	1
35	M5X12 SCREW	--	6
36	BEARING	--	1
37	REAR BEARING CRANK	--	1
38	M5 WASHER	--	4
39	M5 SPRING	--	4
40	M6X110 MOTOR BOLT	--	4
41	COOLING FAN	▷	1

REPLACEMENT PARTS KITS

●	PUMP HEAD KIT	DC080156AV
■	VALVE PLATE KIT	DC080157AV
▲	PISTON ASSEMBLY KIT	DC080158AV
▼	CAPACITOR KIT	DC080159AV
◆	FRONT END COOLING FAN KIT	DC080160AV
▷	MOTOR FAN KIT	DC080161AV



Reminder: Keep your dated proof of purchase for warranty purposes! Attach it to this manual or file it for safekeeping.

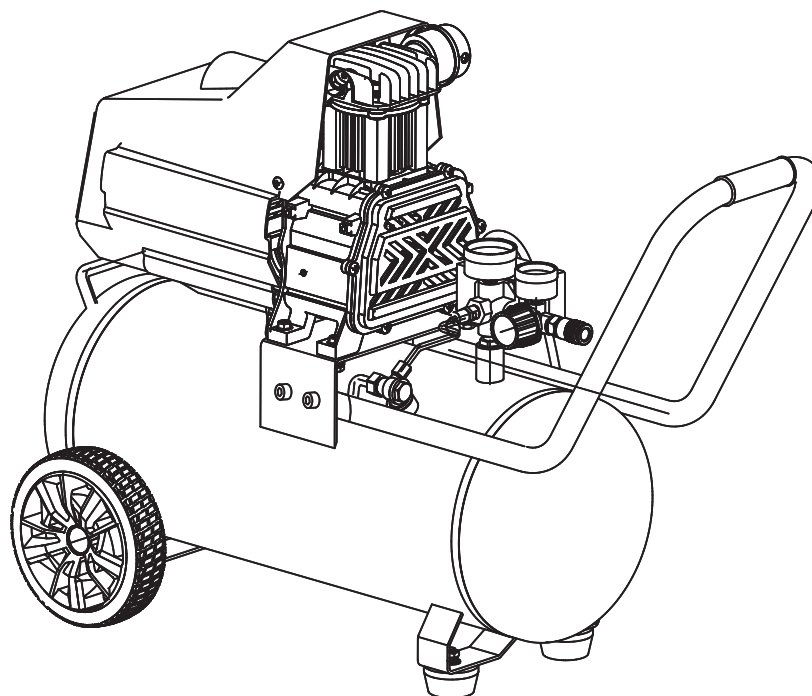
LIMITED WARRANTY

1. DURATION: From the date of purchase by the original purchaser as follows: One Year.
2. WHO GIVES THIS WARRANTY (WARRANTOR): Campbell Hausfeld a Marmon/Berkshire Hathaway Company, 350 Embury Drive, Leitchfield, KY, 42754. Visit www.campbellhausfeld.com
3. WHO RECEIVES THIS WARRANTY (PURCHASER): The original purchaser (other than for purposes of resale) of the Campbell Hausfeld compressor.
4. WHAT PRODUCT IS COVERED BY THIS WARRANTY: This Campbell Hausfeld air compressor.
5. WHAT IS COVERED UNDER THIS WARRANTY: Substantial defects due to material and workmanship with the exceptions noted below.
6. WHAT IS NOT COVERED UNDER THIS WARRANTY:
 - A. Implied warranties, including those of merchantability and FITNESS FOR A PARTICULAR PURPOSE ARE LIMITED FROM THE DATE OF ORIGINAL PURCHASE AS STATED IN THE DURATION. If this compressor is used for commercial, industrial or rental purposes, the warranty will apply for ninety (90) days from the date of purchase. Some States do not allow limitations on how long an implied warranty lasts, so the above limitations may not apply to you.
 - B. ANY INCIDENTAL, INDIRECT, OR CONSEQUENTIAL LOSS, DAMAGE, OR EXPENSE THAT MAY RESULT FROM ANY DEFECT, FAILURE, OR MALFUNCTION OF THE CAMPBELL HAUSFELD PRODUCT. Some States do not allow the exclusion or limitations of incidental or consequential damages, so the above limitation or exclusion may not apply to you.
 - C. Any failure that results from an accident, purchaser's abuse, neglect or failure to operate products in accordance with instructions provided in the owner's manual(s) supplied with compressor.
 - D. Pre-delivery service, e.g. assembly, oil or lubricants, and adjustment.
 - E. Items or service that are normally required to maintain the product, e.g. lubricants, filters and gaskets, etc.
 - F. Gasoline engines and components are expressly excluded from coverage under this limited warranty. The Purchaser must comply with the warranty given by the engine manufacturer which is supplied with the product.
 - G. Additional items not covered under this warranty:
 1. All Compressors
 - a. Any component damaged in shipment or any failure caused by installing or operating unit under conditions not in accordance with installation and operation guidelines or damaged by contact with tools or surroundings.
 - b. Pump or valve failure caused by rain, excessive humidity, corrosive environments or other contaminants.
 - c. Cosmetic defects that do not interfere with compressor functionality.
 - d. Electric motors, check valves and pressure switches.
 - e. Drain cocks.
 - f. Damage due to incorrect voltage or improper wiring.
 - g. Other items not listed but considered general wear parts.
 - h. Pressure switches, air governors and safety valves modified from factory settings.
 2. Lubricated Compressors
 - a. Pump wear or valve damage caused by using oil not specified.
 - b. Pump wear or valve damage caused by any oil contamination or by failure to follow proper oil maintenance guidelines.
 3. Belt Drive / Direct Drive / Gas Driven Compressors
 - a. Belts.
 - b. Ring wear or valve damage from inadequate filter maintenance.
 - c. Manually adjusted load/unload and throttle control devices.
7. RESPONSIBILITIES OF WARRANTOR UNDER THIS WARRANTY: Repair or replace, at Warrantor's option, compressor or component which is defective, has malfunctioned and/or failed to conform within the duration of the specific warranty period.
8. RESPONSIBILITIES OF PURCHASER UNDER THIS WARRANTY:
 - A. Provide dated proof of purchase and maintenance records.
 - B. Portable compressors or components must be delivered or shipped to the nearest Campbell Hausfeld Authorized Service Center. Freight costs, if any, must be borne by the purchaser.
 - C. Use reasonable care in the operation and maintenance of the products as described in the owner's manual(s).
9. WHEN WARRANTOR WILL PERFORM REPAIR OR REPLACEMENT UNDER THIS WARRANTY: Repair or replacement will be scheduled and serviced according to the normal work flow at the servicing location, and depending on the availability of replacement parts. This Limited Warranty applies in the U.S., Canada and Mexico only and gives you specific legal rights. You may also have other rights which vary from State to State or country to country.



Compresseur Sans Huile

Instructions d'Utilisation et Manual de Pièces



Modèle: AC080100 et DC080100

FR



Lire et conserver ces instructions. Il faut les lire attentivement avant de commencer à assembler, installer, faire fonctionner ou entretenir l'appareil décrit.

Pour se protéger et protéger autrui, observer toutes les informations sur la sécurité. Négliger d'appliquer ces instructions peut causer des blessures et/ou des dommages matériels! Conserver ces instructions pour consultation ultérieure.

RAPPEL : Conservez votre preuve d'achat datée aux fins de garantie! Attachez-le à ce manuel ou classez-le pour le garder en sécurité.

N° de modèle : _____

N° de série : _____

Date d'achat : _____

Pour de l'information sur les pièces, produits et services veuillez visiter www.campbellhausfeld.com

Campbell Hausfeld
350 Embry Drive
Leitchfield, KY, 42754

ENREGISTREZ VOTRE PRODUIT EN LIGNE MAINTENANT ! www.campbellhausfeld.com/reg
LIRE ET SUIVRE TOUTES LES INSTRUCTIONS • CONSERVER CES INSTRUCTIONS • NE PAS JETER



AVANT DE COMMENCER

Description

Ce compresseur résidentiel sans huile est conçu pour les bricoleurs avec une variété de travaux résidentiels et automobiles. Ces compresseurs actionnent les pistolets vaporisateurs, les clés à chocs, et autres outils. L'air comprimé produit par ce modèle va contenir de l'humidité. Installer un filtre ou un sécheur d'air si votre application requiert de l'air sec.

DÉBALLAGE

⚠ ATTENTION *Ne pas soulever ni déplacer le modèle sans équipement convenable et s'assurer que le modèle soit bien fixé à l'appareil de levage. Ne pas soulever le modèle avec les tuyaux ou les refroidisseurs. Ne pas utiliser le modèle pour soulever d'autre équipement qui est attaché au compresseur.*

Dès que l'appareil est déballé, l'inspecter attentivement pour tout signe de dommages en transit. Vérifier s'il y a des pièces desserrées, manquantes ou endommagées. Vérifier pour s'assurer que tous les accessoires fournis sont inclus avec l'appareil. Pour toutes questions, pièces endommagées ou manquantes, veuillez visiter www.campbellhausfeld.com pour l'assistance à la clientèle.



NE PAS RENVOYER LE PRODUIT AU MARCHAND!

⚠ AVERTISSEMENT *Ne pas utiliser un modèle qui a été endommagé pendant le transport, la manipulation ou l'utilisation. Le dommage peut résulter en explosion et peut causer des blessures ou dégâts matériels.*

INSTRUCTIONS GÉNÉRALES DE SÉCURITÉ

Directives De Sécurité

Ce manuel contient de l'information très importante qui est fournie pour la SÉCURITÉ et pour ÉVITER LES PROBLÈMES D'ÉQUIPEMENT. Rechercher les symboles suivants pour cette information.

⚠ DANGER *Danger indique une situation dangereuse imminente qui MÈNERA à la mort ou à des blessures graves si elle n'est pas évitée.*

⚠ AVERTISSEMENT *Avertissement indique une situation potentiellement dangereuse qui, si elle n'est pas évitée, POURRAIT mener à la mort ou à de graves blessures.*

⚠ ATTENTION *Attention indique une situation potentiellement dangereuse qui, si elle n'est pas évitée, PEUT mener à des blessures mineures ou modérées.*

AVIS *Avis indique de l'information importante qui pourrait endommager l'équipement si elle n'est pas respectée.*

IMPORTANT ou REMARQUE : Information qui exige une attention spéciale.

Symboles De Sécurité

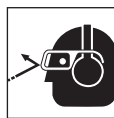
Les symboles de sécurité suivants apparaissent dans l'ensemble de ce manuel pour vous aviser des dangers et précautions importants de sécurité.



Porter une protection oculaire et un masque



Lire le manuel d'abord



Portez une protection oculaire et auditive



Risque d'incendie



Risque de pièces chaudes



Risque d'explosion



Risque de choc



Risque de pression

INSTRUCTIONS GÉNÉRALES DE SÉCURITÉ (SUITE)

Proposition 65 de Californie

⚠ AVERTISSEMENT Ce produit peut vous exposer à des produits chimiques incluant le plomb, connus par l'état de la Californie comme pouvant causer le cancer, des anomalies congénitales ou d'autres troubles de la reproduction. Pour plus d'informations, rendez-vous sur le site www.P65Warnings.ca.gov.



⚠ AVERTISSEMENT Vous pouvez créer de la poussière en coupant, ponçant, perçant ou meulant les matériaux tels que le bois, la peinture, le métal, le béton, le ciment ou autre maçonnerie. Cette poussière contient souvent des produits chimiques reconnus pour causer le cancer, les déformations congénitales.

Illinois Lead Poisoning Prevention Act (Loi sur la prévention de l'empoisonnement au plomb de l'État de l'Illinois)

⚠ AVERTISSEMENT CONTIENT DU PLOMB. PEUT ÊTRE NOCIF SI INGÉRÉ OU MÂCHÉ. RESPECTE LES NORMES FÉDÉRALES.

Importantes Instructions de Sécurité

S'il vous plaît lire et conserver ces instructions. Lire attentivement avant de monter, installer, utiliser ou de procéder à l'entretien du produit décrit. Se protéger ainsi que les autres en observant toutes les instructions de sécurité, sinon, il y a risque de blessure et/ou dégâts matériels! Conserver ces instructions comme référence.

Ce manuel contient des informations concernant la sécurité, le fonctionnement et l'entretien. Si vous avez des questions, veuillez visiter www.campbellhausfeld.com pour l'assistance à la clientèle.

⚠ DANGER

AVERTISSEMENT D'AIR RESPIRABLE

Ce compresseur/pompe n'est pas équipé pour et ne devrait pas être utilisé "comme soi" pour fournir de l'air respirable. Pour les applications d'air pour la consommation humaine, il est nécessaire d'équiper le compresseur d'air/pompe avec de l'équipement de sécurité en canalisation et d'alarme. Cet équipement additionnel est nécessaire pour filtrer et purifier l'air afin d'atteindre les spécifications minimales pour la respiration Grade D décrite dans le Compressed Gas Association Commodity Specification G 7.1, OSHA 29 CFR 1910. 134, and/or Canadian Standards Associations (CSA).

DÉNÉGATION DES GARANTIES

Si le compresseur est utilisé pour les applications d'air respirable et l'équipement de sécurité en canalisation et d'alarme n'est pas utilisé simultanément, les garanties en existence seront annulées, et Campbell Hausfeld dénie toute responsabilité pour n'importe quelle perte, blessure ou dommage.

Généralités sur la Sécurité

Puisque le compresseur d'air et les autres composants (article pompe, pistolet de pulvérisation, filtres, lubrifiants, tuyaux, etc.) utilisés font partie d'un système de pompage à haute pression, les précautions de sécurité suivantes doivent être prises en considération à tout moment :

⚠ AVERTISSEMENT Ne pas faire fonctionner sans supervision. Laisser le compresseur sur la position AUTO peut causer un démarrage accidentel. Pour éviter un démarrage accidentel et de possibles dommages par surtension, le mettre sur OFF après chaque utilisation.



1. Lire attentivement tous manuels compris avec ce produit. Se familiariser avec ce produit, ses commandes et son utilisation.
2. Suivre tous les codes de sécurité et d'électricité locaux ainsi que les codes des É-U; National Electrical Codes (NEC) et Occupational Safety and Health Act (OSHA).
3. Seules les personnes bien familiarisées avec ces règlements d'utilisation doivent être autorisées à se servir du compresseur.
4. Garder les visiteurs à l'écart de/et NE JAMAIS permettre les enfants dans l'endroit de travail.
5. Utiliser des lunettes de sécurité et la protection auditive pendant l'utilisation du modèle.
6. Ne pas se tenir debout sur/ni utiliser le modèle comme une prise à main.
7. Inspecter le système d'air comprimé et pièces détachées électriques pour toute indication de dommage, détérioration, faiblesse ou fuites avant chaque utilisation. Réparer ou remplacer toutes pièces défectueuses avant l'utilisation.



DIRECTIVES DE SÉCURITÉ (SUITE)

8. Inspecter le degré de serrage de toutes les attaches par intervalles régulières.



AVERTISSEMENT

Les moteurs, l'équipement et les commandes électriques peuvent causer des arcs électriques qui peuvent allumer un gaz ou une vapeur inflammable. Ne jamais utiliser ou réparer le modèle près d'un gaz ou d'une vapeur inflammable. Ne jamais entreposer les liquides ou gaz inflammables près du compresseur.



ATTENTION

Les pièces du compresseur peuvent être chaudes même si le modèle est hors circuit.

9. Garder les doigts à l'écart du compresseur; les pièces mobiles et chaudes peuvent causer des blessures et/ou des brûlures.
10. Si l'équipement vibre anormalement, ARRÊTER le moteur et l'inspecter immédiatement. La vibration est généralement une indication d'un problème.



11. Pour réduire le risque d'incendie, garder l'extérieur du moteur libre d'huile, de solvants et de graisse excessive.

AVERTISSEMENT

Ne jamais enlever ou essayer d'ajuster la soupape de sûreté. Tenir la soupape de sûreté libre de peinture et d'autres accumulations.

AVERTISSEMENT

Ne jamais utiliser les tuyaux plastiques (CPV) pour l'air comprimé. Ceci peut causer des blessures graves ou la mort.



DANGER

Ne jamais essayer de réparer ni de modifier un réservoir! Le soudage, perçage ou autre modifications peuvent affaiblir le réservoir et peuvent résulter en dommage de rupture ou d'explosion. Toujours remplacer un réservoir usé, fendu ou endommagé.

AVIS

Purger le liquide du réservoir quotidiennement.

12. L'accumulation d'humidité cause la rouille qui peut affaiblir le réservoir. Purger le réservoir régulièrement et l'inspecter périodiquement pour la rouille et la corrosion ou autres conditions dangereuses.
13. L'air mouvante peut agiter la poussière et le débris qui peut être dangereux. Dissiper l'air lentement en purgeant l'humidité ou pendant la dépressurisation du système de compresseur.

Précautions de Pulvérisation



AVERTISSEMENT

Ne pas pulvériser des matériaux inflammables près d'une flamme ni près d'une source d'ignition y inclus le compresseur.



14. Ne pas fumer pendant la pulvérisation de peinture, d'insecticides ou d'autres substances inflammables.
15. Utiliser un masque / respirateur pendant la pulvérisation et pulvériser dans un endroit bien ventilé pour éviter les dangers de santé et d'incendie.
16. Ne pas pulvériser vers le compresseur. Situer le compresseur aussi loin que possible de l'endroit de pulvérisation pour minimiser l'accumulation de surpulvérisation sur le compresseur.
17. Pour pulvériser ou nettoyer avec des solvants ou produits chimiques toxiques, suivre les instructions fournies par le fabricant du produit chimique.

CARACTÉRISTIQUES TECHNIQUES

AC080100, DC080100	
Moteur HP	2
Capacité du réservoir	30,28 L
Étape	Simple
Nombre de cylindres	1
Poussée d'air @ 90 PSI	104,8 l/min
Tension	120
Amperes	14A
Hertz (cycles)	60
Pression maximale	150
Sortie du réservoir	1/4 po IM
Poids de l'unité	27,80 kg

DIMENSIONS

AC080100, DC080100	
Leng.	67,5 cm (26,6 po)
Larg.	36 cm (14.2 po)
Haut.	63,50 cm (25 po)

INSTRUCTIONS D'ASSEMBLAGE

Assemblage de la Poignée (Figure 1)

1. Placer les extrémités de la poignée autour du réservoir et dans le tuyau de montage. Aligner les trous de la poignée avec les trous du tuyau de montage.
2. Assembler quatre (4) vis (fournies dans la trousse de pièces) à travers les trous qui se trouvent dans le tube de montage et la poignée. Resserrer les vis.



AVERTISSEMENT *Ne jamais utiliser la poignée pour soulever tout l'appareil du sol. Utiliser seulement la poignée pour soulever une extrémité pour que les roues puissent servir à déplacer l'appareil.*

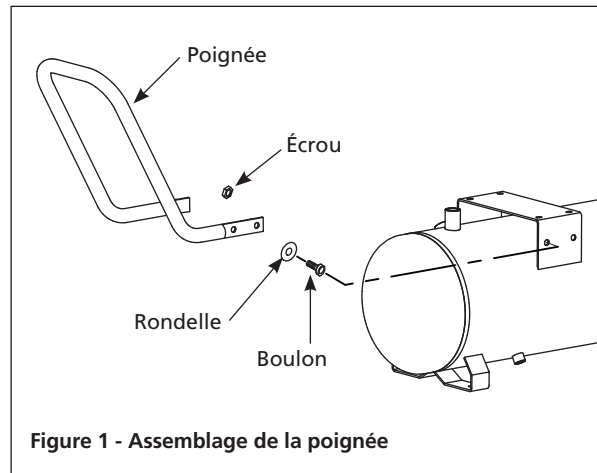


Figure 1 - Assemblage de la poignée

Assemblage de Roue (Figure 2)

La trousse d'assemblage de la roue inclut:

- 2 roues*
- 2 boulons d'essieu*
- 2 rondelles*
- 2 écrous*
- 2 cache-moyeu*

Les articles portant un astérisque (*) ont été expédiés desserrés avec l'appareil.

1. La roue a un moyeu décentré. Placer la garniture de roue au centre du moyeu. Avec le moyeu décentré face au fer d'essieu, assembler le boulon d'essieu à travers la rondelle puis les trous dans la roue et le fer d'essieu.
2. Placer la rondelle de blocage sur le boulon d'essieu. Bien resserrer l'écrou sur la partie fileté du boulon d'essieu.
3. Répéter la procédure de l'autre côté.

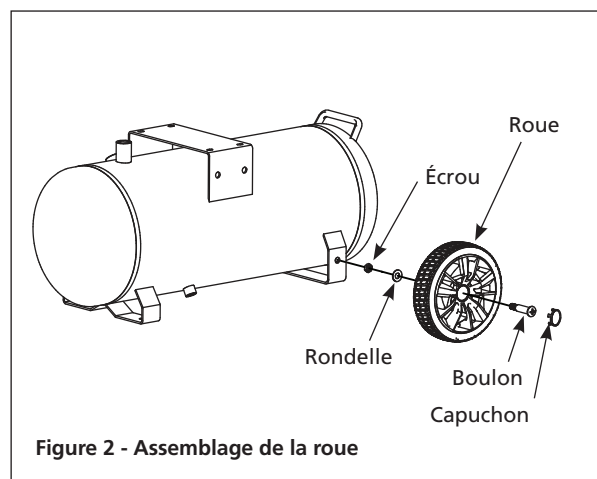


Figure 2 - Assemblage de la roue

APPRENEZ À CONNAÎTRE VOTRE UNITÉ

Manostat - Interrupteur Auto /Off - Dans la position "**AUTO**", le compresseur se coupe automatiquement quand la pression du réservoir atteint la pression maximum réglée d'avance. Une fois que l'air est usé du réservoir et baisse à un niveau réglé d'avance, le manostat remet le moteur en marche (on) automatiquement. Dans la position "**OFF**", le compresseur ne fonctionnera pas. Cet interrupteur devrait être dans la position "**OFF**" pendant le branchement ou le débranchement du cordon d'alimentation de la prise de courant ou pendant le changement d'outils pneumatiques.

Régulateur - Le régulateur sert à régler la pression d'air à la sortie de tuyau.

Soupape de Sûreté ASME - Cette soupape laisse échapper l'air automatiquement si la pression du réservoir dépasse la pression maximum réglée d'avance.

Tuyau de Décharge - Ce tuyau transporte l'air comprimé de la pompe au clapet. Ce tuyau devient très chaud pendant l'utilisation. Pour éviter le risque des brûlures sévères, ne jamais toucher le tuyau de décharge.

Clapet - Une soupape à sens unique qui permet l'arrivée d'air dans le réservoir mais ne permet pas que l'air se recule dans la pompe.

Poignée - Conçue pour le déplacement du compresseur.

⚠ AVERTISSEMENT

Ne jamais utiliser la poignée sur les modèles avec roues pour soulever le modèle.

Robinet de Purge de Réservoir - Cette soupape est située au fond du réservoir. Utiliser cette soupape pour purger l'humidité du réservoir quotidiennement afin de réduire le risque de corrosion.

Manomètre(s) - Ces manomètres indiquent la pression d'air dans le réservoir du compresseur et à la sortie du compresseur.

Manomètre de sortie - Ce manomètre indique la pression d'air à la sortie, mesurée en kPa (PSI). S'assurer que le manomètre est à ZERO (en tournant le bouton du régulateur complètement dans le sens antihoraire) avant de changer les outils ou de débrancher le tuyau de la sortie d'air.

Manomètre du réservoir - Ce manomètre indique la pression d'air dans le réservoir pendant le fonctionnement du compresseur, ce qui confirme que le compresseur est en train d'augmenter la pression de manière appropriée. Ce manomètre indique la pression maximum du compresseur quand il s'éteint automatiquement à la pression limite.

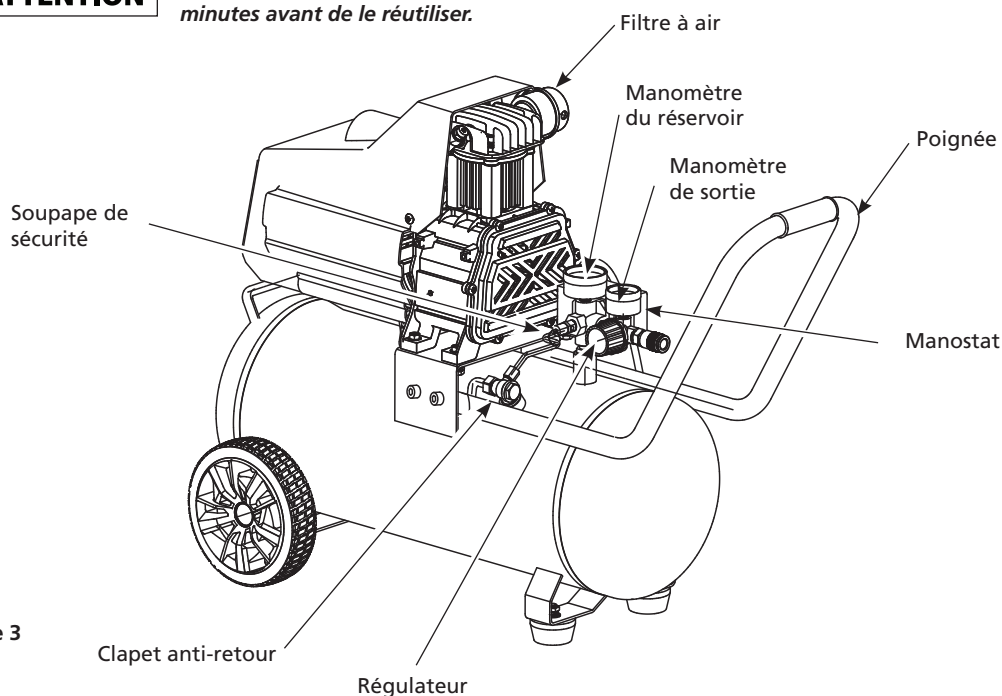
Réinitialisation du moteur - (non illustré, se trouve à l'intérieur du moteur). Conçu pour empêcher le moteur de surchauffer. Le moteur a un protecteur de réinitialisation automatique. Pour réinitialiser après le refroidissement du moteur, tourner le pressostat à la position « OFF » (arrêt) puis à la position « AUTO ».

⚠ ATTENTION

Ce compresseur est doté d'un protecteur de surcharge qui coupera le moteur s'il surchauffe.

⚠ ATTENTION

Si le protecteur de surchauffe est activé, il faut laisser le moteur refroidir pendant environ 30 minutes avant de le réutiliser.



INSTRUCTIONS D'INSTALLATION

Endroit

Il est extrêmement important d'installer le compresseur dans un endroit propre, sec et bien ventilé. Le compresseur doit être placé sur une surface solide et à niveau dont la température ambiante ne dépasse pas 38°C (100°F).

Un espace libre minimum de 45,7 centimètres entre le compresseur et un mur est exigé pour éviter le stoppage d'air par des objets.

⚠ ATTENTION *Ne pas situer la prise d'air du compresseur près de la vapeur, un jet pulvérisé de peinture, endroits de décapage au sable ou autre sources de contamination. Le débris endommagera le moteur.*

Installation Électrique

⚠ AVERTISSEMENT *Seul un électricien qualifié doit effectuer l'installation électrique et raccordements électriques. Respecter toutes les codes locaux et nationaux de l'électricité.*



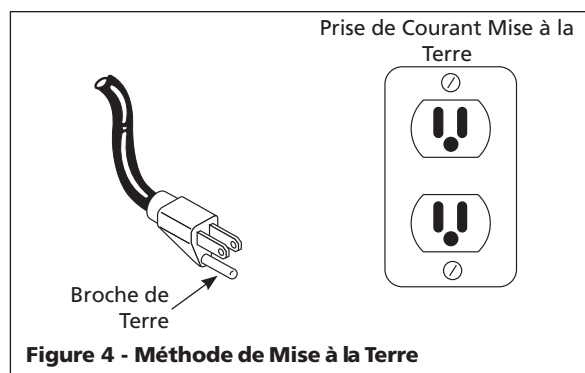
Câblage

1. Les codes de câblage électrique locaux diffèrent d'un endroit à l'autre. Le câblage source, la fiche et le protecteur doivent être d'une valeur nominale d'au moins l'ampérage et la tension indiqués sur la plaque signalétique du moteur et doivent répondre à tous les codes électriques pour ce minimum.
2. Utiliser un fusible à action retardée ou un disjoncteur.
3. Ce produit est conçu pour l'utilisation d'un circuit de 120 volts et a une fiche de mise à la terre comme celle indiquée sur la Figure 4. S'assurer que l'appareil est branché à une prise de courant qui a la même configuration que la fiche. Ce produit doit être mis à la terre. Dans l'événement d'un court-circuit, la mise à la terre diminue le risque de secousse électrique en fournissant un fil d'échappement pour le courant électrique. Ce produit est équipé avec un cordon qui a un fil de terre avec une fiche de terre. La fiche doit être branchée dans une prise de courant qui a été installée et mise à la terre correctement en respectant tous les codes et règlements locaux.

⚠ ATTENTION *Un câblage inadéquat cause la surchauffe, les court-circuit et les dommages d'incendie.*

Calibre minimum de la rallonge		
7,5 m	15 m	30 m
14	12	10

Utiliser une rallonge pourrait mener à une chaleur excessive au moteur. Ceci pourrait mener au déclenchement du disjoncteur (au panneau électrique) ou au déclenchement de la surcharge thermique (sur le moteur du compresseur). Si ceci se produit, éliminer la rallonge et brancher le compresseur directement dans la prise de courant. Éviter d'utiliser des rallonges, utiliser plutôt un(des) tuyau(x) à air plus long(s).



MODE D'EMPLOI

Avant le premier démarrage

Procédure de rodage

(Cette procédure doit être terminée avant d'utiliser le compresseur pour la première fois. Ensuite, il n'est pas nécessaire de la refaire.)

1. Ouvrir le robinet de vidange au bas du réservoir.
2. Mettre l'interrupteur marche/arrêt à la position « **OFF** » (**ARRÊT**).
3. Brancher le cordon d'alimentation.
4. Mettre l'interrupteur marche/arrêt à la position « **ON** » (**MARCHE**) et faire fonctionner le compresseur pendant 30 minutes.
5. Mettre l'interrupteur marche/arrêt à la position « **OFF** » (**ARRÊT**).
6. Débrancher le cordon d'alimentation.
7. Fermer le robinet de vidange.

Le compresseur est maintenant prêt à être utilisé.

Procédure de fonctionnement

1. Tourner l'interrupteur à la position **OFF** et brancher le cordon d'alimentation.
2. Tourner le bouton du régulateur dans le sens antihoraire pour fermer le débit d'air.
3. Tourner l'interrupteur à la position **AUTO**.
4. Le compresseur accumulera la pression jusqu'à ce qu'il atteigne la pression maximum et s'arrêtera.
5. Avec la tuyau branché à la sortie du compresseur, brancher le mandrin d'air ou un autre outil à l'extrémité ouverte du tuyau.
6. Ajuster le régulateur à la bonne pression pour l'outil ou le pneu. Utiliser l'outil conformément aux instructions.

Au fur et à mesure que l'air du réservoir est épuisé par le mandrin ou l'outil, etc., le compresseur se met en marche automatiquement à la pression pré-réglée d'enclenchement. Quand on utilise un outil continuellement, le compresseur commencera un cycle automatique de marche/arrêt.

7. Quand on a terminé d'utiliser le compresseur, tourner l'interrupteur à la position **OFF**, débrancher le cordon d'alimentation et vidanger le réservoir d'air.

HUMIDITÉ DANS L'AIR COMPRIMÉ

L'humidité dans l'air comprimé forme des gouttelettes en arrivant de la pompe du compresseur d'air. Si l'humidité est élevée, ou si le compresseur est utilisé continuellement, cette humidité s'accumulera dans le réservoir. Pendant l'utilisation d'un pistolet à peinture ou d'un pistolet pour le décapage au sable, cette eau sera transportée du réservoir par moyen du tuyau, et en forme de gouttelettes, mélangée avec le matériel utilisé.

IMPORTANT: Cette condensation peut causer des taches d'eau sur votre travail de peinture, surtout pendant la pulvérisation de peinture qui n'est pas à base d'eau. Pendant le décapage au sable, cette eau servira à tenir le sable ensemble et causera une obstruction dans le pistolet.

Un filtre à air en canalisation situé aussi près du pistolet que possible aidera à éliminer cette humidité.

GUIDE DE DÉPANNAGE

SYMPTÔME	CAUSE(S) POSSIBLE(S)	ACTION CORRECTIVE
Le compresseur ne fonctionne pas	<ol style="list-style-type: none"> 1. Interrupteur en position "OFF" (arrêt) 2. Aucun courant à la prise de courant murale 3. Le compresseur a atteint la pression d'arrêt automatique 4. Moteur surchauffé 5. Connexions électriques dégagées 6. Interrupteur MARCHE/ARRÊT défectueux 7. Mauvais pressostat 8. Moteur défectueux 	<ol style="list-style-type: none"> 1. S'assurer que le compresseur est branché et que l'interrupteur est à ON (marche). 2. Vérifier le disjoncteur ou les fusibles au coffret électrique. 3. Dégager l'air du réservoir jusqu'à ce que le compresseur redémarre automatiquement. 4. Laisser le compresseur refroidir pendant 30 minutes pour que l'interrupteur de surcharge thermique se réinitialise. S'assurer que le compresseur fonctionne dans un endroit propre, bien ventilé où la température ne dépasse pas 38°C (100 ° F). 5. Vérifier toutes les connexions électriques. 6. Remplacer l'interrupteur ON/OFF. 7. Remplacer le pressostat. 8. Remplacer le montage de pompe / moteur.
Fusibles sautés/le disjoncteur se déclenche à maintes reprises	<ol style="list-style-type: none"> 1. Taille de fusible incorrect, surcharge 2. Utilisation de rallonge - Calibre inadéquat de la rallonge et/ou rallonge trop longue 3. Soupape de retenue usée 4. Soupape de décharge défectueuse (sur le manostat) 5. Condensateur(s) de moteur défectueux 6. Moteur défectueux 	<ol style="list-style-type: none"> 1. Vérifier le type de fusible, utiliser un fusible à retardement. Débrancher les autres appareils électriques du circuit ou faire fonctionner le compresseur sur un circuit unique. 2. Retirer la rallonge ou se reporter au Tableau de Rallonges, page 7. 3. Remplacer la soupape de retenue. <p>⚠ DANGER <i>Ne pas démonter le clapet de non-retour avec de l'air dans le réservoir ; purger le réservoir.</i></p> <ol style="list-style-type: none"> 4. Remplacer la soupape de décharge. 5. Remplacer le condensateur(s). 6. Remplacer le moteur.
Perte de pression dans le réservoir à air quand le compresseur se coupe	<ol style="list-style-type: none"> 1. Raccordements dégagés (raccords, tuyaux, etc.) 2. Ouvrir le robinet de vidange du réservoir 3. Fuite du réservoir 	<ol style="list-style-type: none"> 1. Vérifier tous les raccordements avec de l'eau savonneuse. Resserrer; ou retirer et appliquer aux filets un produit scellant ou de ruban pour filets, puis remonter. 2. Fermer le robinet de vidange du réservoir. 3. Vérifier le réservoir pour les fuites avec une solution de savon et d'eau. S'il y a une fuite, le réservoir doit être remplacé avec une pièce de rechange d'origine.
Le compresseur fonctionne continuellement et/ou la sortie d'air est plus basse que la pression de décharge normale/faible	<ol style="list-style-type: none"> 1. Utilisation d'air excessive 2. Filtre d'entrée obstrué 3. Ouvrir le robinet de vidange du réservoir 4. Fuites d'air dans la tuyauterie (sur le modèle ou dans le système extérieur) 5. Anneau de piston usé 6. Soupape brisée (dans la pompe) 7. Fuites du réservoir 8. Manostat défectueux 	<ol style="list-style-type: none"> 1. Réduire l'utilisation d'air; le compresseur n'est pas assez large pour la demande d'air. 2. Nettoyer ou remplacer le filtre. 3. Fermer le robinet de vidange du réservoir. 4. Vérifier tous les raccordements avec de l'eau savonneuse. Resserrer; ou retirer et appliquer aux filets un produit scellant ou de ruban pour filets, puis remonter. 5. Remplacer. 6. Remplacer la soupape. 7. Vérifier le réservoir pour les fuites avec une solution de savon et d'eau. S'il y a une fuite, le réservoir doit être remplacé avec une pièce de rechange d'origine. 8. Remplacer le manostat.

GUIDE DE DÉPANNAGE

SYMPTÔME	CAUSE(S) POSSIBLE(S)	ACTION CORRECTIVE
Humidité excessive dans l'air de débit	<ol style="list-style-type: none"> 1. Eau excessive dans le réservoir 2. Humidité élevée 	<ol style="list-style-type: none"> 1. Purger le réservoir. 2. Déplacer à un endroit moins humide; utiliser un filtre en canalisation d'air.
Frappe, cogne et/ou vibration excessive	<ol style="list-style-type: none"> 1. Boulons de montage desserrés 2. Réservoir n'est pas à niveau 3. Le cylindre ou le piston est usé/ marqué 	<ol style="list-style-type: none"> 1. Resserrer les boulons. 2. Utiliser un objet/coin solide pour ramener le réservoir à la position à niveau. 3. Remplacer ou réparer au besoin.
Le compresseur fonctionne continuellement et la soupape de sécurité s'ouvre tandis que la pression monte	<ol style="list-style-type: none"> 1. Manostat défectueux 2. Soupape de sécurité défectueuse 	<ol style="list-style-type: none"> 1. Remplacer le manostat. 2. Remplacer la soupape de sécurité avec des pièces de rechange authentiques.
Fuite d'air du clapet de marche sur le manostat	<ol style="list-style-type: none"> 1. Le clapet de non-retour colle en position ouverte 2. Le clapet de marche colle en position ouverte 	<ol style="list-style-type: none"> 1. Remplacer le clapet de non-retour. 2. Remplacer le clapet de marche. <p>⚠ DANGER <i>Ne pas démonter le clapet de non-retour avec de l'air dans le réservoir ; purger le réservoir.</i></p>

INSTRUCTIONS D'ENTRETIEN ET D'INSPECTION



AVERTISSEMENT *Débrancher de la source de puissance et ensuite dissiper toute la pression du système avant d'essayer d'installer, de réparer, de déplacer ou de procéder à l'entretien.*

Inspecter le compresseur souvent et suivre les procédés d'entretien suivants pendant chaque utilisation du compresseur.

SOUPAPE DE SÛRETÉ ASME

AVERTISSEMENT *Ne jamais enlever ni essayer d'ajuster la soupape de sûreté!*

Vérifier la soupape de sûreté de la manière suivante:

1. Brancher le compresseur et le faire fonctionner jusqu'à ce qu'il atteigne la pression d'arrêt (voir procédure de fonctionnement).
2. Porter des lunettes de sécurité, tirer l'anneau sur la soupape de sûreté pour dégager la pression du réservoir du compresseur. Utiliser l'autre main pour éloigner l'air se déplaçant rapidement vers le visage.
3. La soupape de sûreté se fermera automatiquement à environ 276 kPa - 345 kPa. Si la soupape ne laisse pas sortir l'air en tirant sur l'anneau, ou si elle ne se ferme pas automatiquement, il FAUT la remplacer.

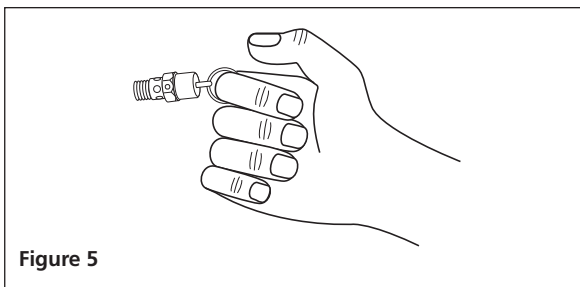


Figure 5

AVERTISSEMENT *S'il y a une fuite après que la soupape soit lâchée ou si la soupape ne fonctionne pas, elle devrait être remplacée.*

Purger le réservoir

1. Éteindre le compresseur et dégager la pression du système. (Pour dégager la pression du système, tirer sur la soupape de sûreté ASME. Éloigner l'air qui s'échappe en protégeant la soupape d'une main tout en tirant de l'autre.) Tirer l'anneau jusqu'à ce que le réservoir soit vide.

ATTENTION *Une grande quantité d'air se déplaçant rapidement sera dégagée en ouvrant la soupape de sûreté à cause de la pression dans le réservoir. Porter des lunettes de sécurité Z87.1 approuvées par ANSI.*

2. Drainer l'humidité du réservoir en ouvrant le robinet de vidange sous le réservoir. Pencher le réservoir pour en retirer toute l'humidité.
3. Nettoyer la poussière et la saleté du réservoir, des conduites d'air et le couvercle de pompe tandis que le compresseur est encore arrêté (OFF).

ENTRETIEN DU FILTRE D'AIR D'ASPIRATION

Retrait, inspection et remplacement (Figure 6).

Il faut retirer l'élément du filtre d'aspiration et le vérifier régulièrement. Un filtre d'aspiration bloqué peut réduire la performance du compresseur et provoquer une surchauffe du compresseur.

1. Retirer le boulon.
2. Retirer le couvercle du filtre et l'élément du filtre. Inspecter chaque pièce.
3. Si l'élément du filtre est sale ou bloqué, remplacer l'élément.
4. Réinstaller le filtre, le couvercle et le boulon. Avant l'utilisation, vissez le filtre d'aspiration dans l'ouverture filetée sur le côté de la tête de compresseur, comme illustré à la figure 6.

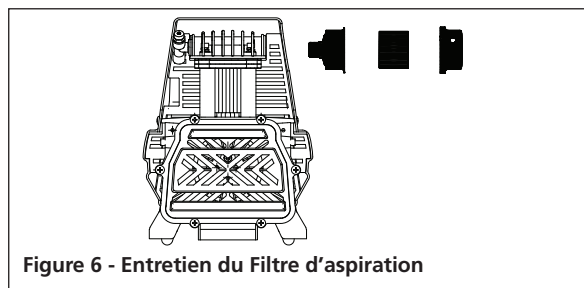


Figure 6 - Entretien du Filtre d'aspiration

IMPORTANT: Placer l'unité aussi loin que possible du secteur de pulvérisation pour éviter que la surpulvérisation bloque le filtre.

Conclusion du travail/Entreposage

1. Mettre l'interrupteur AUTO/OFF à la position « **OFF** » (ARRÊT).
2. Débrancher le cordon d'alimentation de la prise et l'enrouler autour du manche pour éviter de l'endommager pendant l'entreposage.

INSTRUCTIONS D'ENTRETIEN ET D'INSPECTION (SUITE)

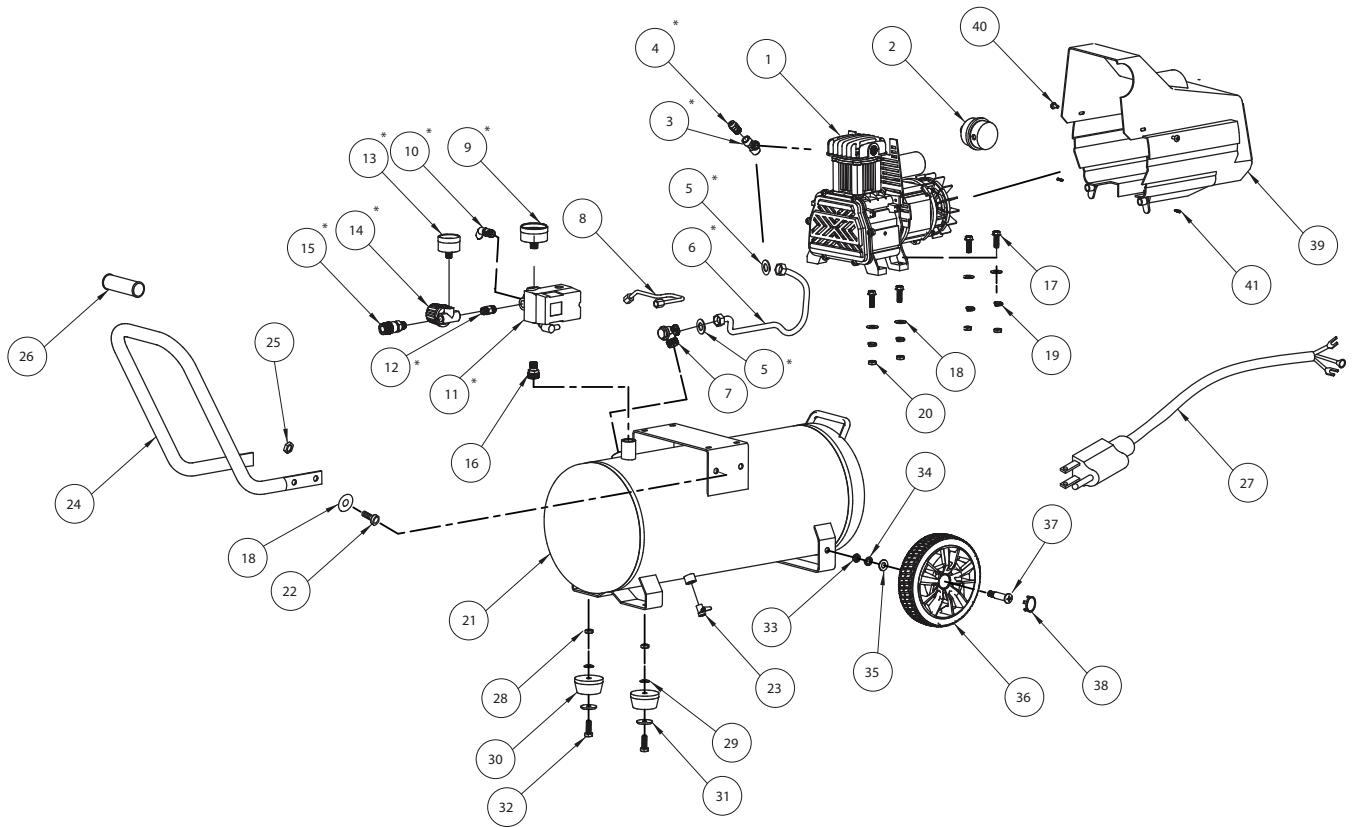
3. En portant des lunettes de sécurité, vidanger l'air du réservoir en tirant l'anneau de la soupape de sécurité. À l'aide de l'autre main, détourner l'air se déplaçant rapidement, pour protéger le visage.
4. Vidanger le réservoir de toute condensation en ouvrant le robinet de vidange au fond du réservoir. La pression du réservoir doit être sous 69 kPa quand on vidange le réservoir.
5. Le tuyau doit être débranché du compresseur et suspendu avec les bouts ouverts face en bas pour laisser couler toute humidité.
6. Le compresseur et le tuyau doivent être rangés dans un endroit frais et sec.

Service Technique

Pour de l'information sur le fonctionnement ou la réparation de ce produit, veuillez visiter le www.campbellhausfeld.com.

OPÉRATION	HORAIRE D'ENTRETIEN		
	QUOTIDIEN	HEBDOMAD AIRE	MENSUEL
PURGER LE RÉSERVOIR	●		
VÉRIFIER LE FILTRE À AIR		●	
VÉRIFIER LA SOUPE DE SÛRETÉ		●	
NETTOYER LE MODÈLE			●

ILLUSTRATION DES PIÈCES DE REMPLACEMENT POUR LE AC080100 ET DC080100



**Pour les pièces de remplacement, visitez www.campbellhausfeld.com
24 heures par jour – 365 jours par an**

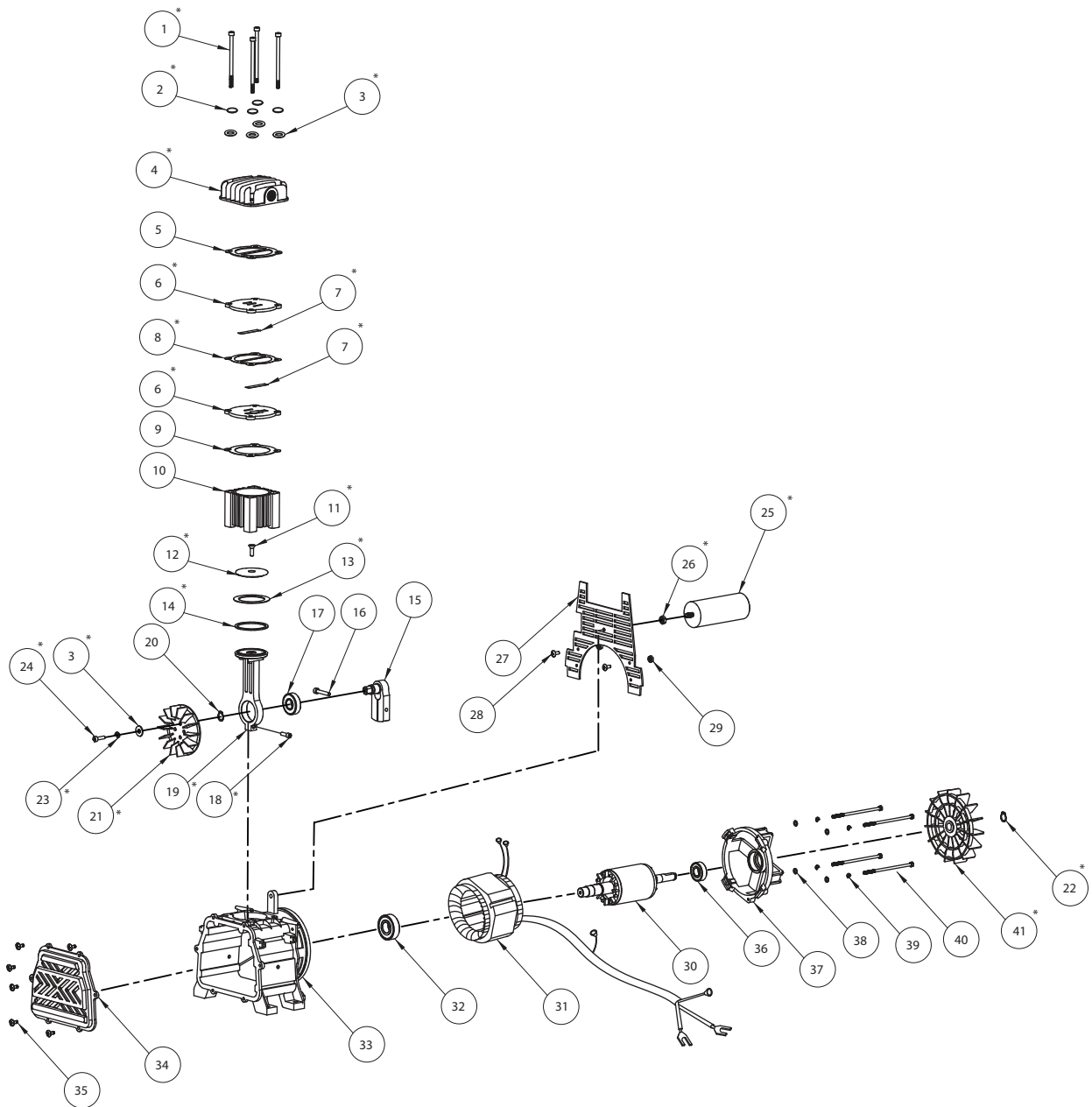
Fournir les informations suivantes :

- Numéro de modèle
- Numéro de série (s'il y en a un)
- Description et numéro de pièce comme indiqué sur la liste des pièces

LISTE DES PIÈCES DE REMPLACEMENT POUR LE AC080100 ET DC080100

N° de réf.	Description	N° de pièce	Qté
1	POMPE/MOTEUR	DC080101AV	1
2	FILTRE	DC080150AV	1
3	CONNECTEUR DE TYPE T	●	1
4	SOUPAPE DE DÉMARRAGE À FROID	●	1
5	JOINT TORIQUE	■	2
6	TUYAU D'ÉCHAPPEMENT	■	1
7	ASSEMBLAGE DU CLAPET ANTI-RETOUR	DC080152AV	1
8	TUYAU DE DÉLESTAGE	DC080162AV	1
9	MANOMÈTRE DU RÉSERVOIR	▲	1
10	SOUPAPE DE SÉCURITÉ	▲	1
11	MANOSTAT	▲	1
12	CONNECTEUR	▲	1
13	MANOMÈTRE DE SORTIE	▲	1
14	RÉGULATEUR	▲	1
15	COUPLEUR	▲	1
16	CONNECTEUR	--	1
17	BOULON M8 X 25	--	4
18	RONDELLE M8	--	8
19	RONDELLE ÉLASTIQUE M8	--	4
20	ÉCROU M8	--	4
21	RÉSERVOIR	--	1
22	BOULON M8 X 15	▼	4
23	VANNE DE DRAINAGE	DC080153AV	1
24	POIGNÉE	▼	1
25	ÉCROU M8	▼	4
26	POIGNÉE	▼	1
27	POIGNÉE MOTEUR	--	1
28	ÉCROU M8	--	2
29	RONDELLE M8	--	2
30	PIED EN CAOUTCHOUC	--	2
31	RONDELLE	--	2
32	BOULON M8 X 25	--	2
33	ÉCROU M10	□	2
34	RONDELLE ÉLASTIQUE M10	□	2
35	RONDELLE M10	□	2
36	ROUE	□	2
37	BOULON	□	2
38	CAPUCHON	□	2
39	PROTECTEUR	--	1
40	VIS M5 X 12	--	2
41	VIS	--	2
NÉCESSAIRES DE PIÈCES DE RECHANGE			
●	TROUSSE DE LA SOUPAPE DE DÉMARRAGE À FROID	DC080154AV	
■	TROUSSE DU TUYAU D'ÉCHAPPEMENT	DC080151AV	
▲	MANOSTAT ET TROUSSE DU RÉGULATEUR	DC080155AV	
□	TROUSSE DE ROUE	DC080163AV	
▼	TROUSSE DE POIGNÉE	DC080164AV	

ILLUSTRATION DES PIÈCES DE REMPLACEMENT POUR LE DC080101AV



**Pour les pièces de remplacement, visitez www.campbellhausfeld.com
24 heures par jour – 365 jours par an**

Fournir les informations suivantes :

- Numéro de modèle
- Numéro de série (s'il y en a un)
- Description et numéro de pièce comme indiqué sur la liste des pièces

LISTE DES PIÈCES DE REMPLACEMENT POUR LE DC080101AV

N° de réf.	Description	N° de pièce	Qté	N° de réf.	Description	N° de pièce	Qté
1	BOULON M6 X 110	●	4	31	STATOR	--	1
2	RONDELLE ÉLASTIQUE M6	●	4	32	ROULEMENT	--	1
3	RONDELLE M6	● ◆	5	33	CARTER	--	1
4	CULASSE DE CYLINDRE	●	1	34	ENVELOPPE DU CARTER	--	1
5	JOINT DE LA CULASSE	--	1	35	VIS M5 X 12	--	6
6	PLAQUE PORTE-SOUPAPE	■	2	36	ROULEMENT	--	1
7	LEVÉE DE SOUPAPE FLEXIBLE	■	2	37	ROULEMENT ARRIÈRE DE LA MANIVELLE	--	1
8	JOINT DE PLAQUE PORTE-SOUPAPE	■	1	38	RONDELLE M5	--	4
9	JOINT DU CYLINDRE	■	1	39	RESSORT M5	--	4
10	CYLINDRE	--	1	40	BOULON DU MOTEUR M6 X 110	--	4
11	VIS M6 X 11	▲	1	41	VENTILATEUR DE REFROIDISSEMENT	▶	1
12	CHAPEAU DE LA BIELLE DU PISTON	▲	1	NÉCESSAIRES DE PIÈCES DE RECHANGE			
13	CUIR POUR JOINTS HYDRAULIQUE	▲	1	●	TROUSSE DE TÊTE DE POMPE	DC080156AV	
14	SEGMENT DE PISTON	▲	1	■	TROUSSE DE PLAQUES PORTE-SOUPAPE	DC080157AV	
15	EXCENTRIQUE	--	1	▲	TROUSSE DE L'ASSEMBLAGE DU PISTON	DC080158AV	
16	VIS M6 X 35	--	1	▼	TROUSSE DU CONDENSATEUR	DC080159AV	
17	ROULEMENT	--	1	◆	TROUSSE DE L'EXTRÉMITÉ AVANT DU VENTILATEUR DE REFROIDISSEMENT	DC080160AV	
18	VIS M6 X 18	▲	1	▶	TROUSSE DU VENTILATEUR DU MOTEUR	DC080161AV	
19	BIELLE	▲	1				
20	BAGUE DE RETENUE EXTERNE POUR ARBRE DE 15 MM	--	1				
21	VENTILATEUR DE REFROIDISSEMENT DE LA BIELLE	◆	1				
22	BAGUE DE RETENUE EXTERNE POUR ARBRE DE 14 MM	▶	1				
23	RESSORT M6	◆	1				
24	VIS M6 X 20	◆	1				
25	CONDENSATEUR	▼	1				
26	ÉCROU M8	▼	1				
27	DÉFLECTEUR	--	1				
28	VIS M4 X 12	--	4				
29	ÉCROU M4	--	4				
30	ROTOR	--	1				

Mémento: Gardez votre preuve datée d'achat à fin de la garantie! Joignez-la à ce manuel ou classez-la dans un dossier pour plus de sécurité.

GARANTIE LIMITÉE

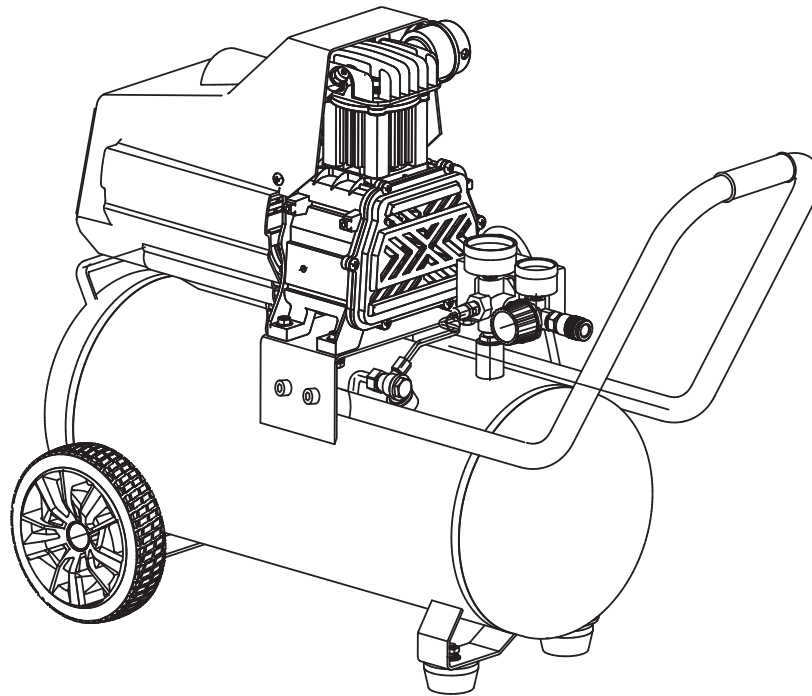
1. DURÉE: À partir de la date d'achat par l'acheteur original comme suit : Un An.
2. GARANTIE ACCORDÉE PAR (GARANT): Campbell Hausfeld a Marmon/Berkshire Hathaway Company, 350 Embury Drive, Leitchfield, KY, 42754. Visite www.campbellhausfeld.com
3. BÉNÉFICIAIRE DE CETTE GARANTIE (ACHETEUR): L'acheteur original (sauf en cas de revente) du produit Campbell Hausfeld.
4. PRODUITS COUVERTS PAR CETTE GARANTIE: Ce compresseur d'air Campbell Hausfeld.
5. COUVERTURE DE LA PRÉSENTE GARANTIE: Défauts de matière et de fabrication considérables avec les exceptions indiquées ci-dessous.
6. LA PRÉSENTE GARANTIE NE COUVRE PAS:
 - A. Les garanties implicites, y compris celles de commercialisabilité et D'ADAPTION À UNE FONCTION PARTICULIÈRE SONT LIMITÉES À PARTIR DE LA DATE D'ACHAT INITIALE TELLE QU'INDIQUÉE DANS LA SECTION DURÉE. Si ce compresseur d'air est utilisé pour une fonction commerciale ou pour la location, la durée de la garantie sera quatre-vingt-dix (90) jours à compter de la date d'achat. Certaines Provinces /Certains États ne permettent pas de limitations de durée pour les garanties implicites, donc les limitations précédentes peuvent ne pas s'appliquer dans ce cas.
 - B. TOUT DOMMAGE, PERTE OU DÉPENSE FORTUIT OU INDIRECT POUVANT RÉSULTER DE TOUT DÉFAUT, PANNE OU MAUVAIS FONCTIONNEMENT DU PRODUIT CAMPBELL HAUSFELD. Quelques Provinces (États) n'autorisent pas l'exclusion ni la limitation des dommages fortuits ou indirects. La limitation ou l'exclusion précédente peut ne donc pas s'appliquer.
 - C. Toute panne résultant d'un accident, d'une utilisation abusive, de la négligence ou d'une utilisation ne respectant pas les instructions données dans le(s) manuel(s) accompagnant le produit.
 - D. Service avant livraison; par ex. le montage, l'huile ou les lubrifiants et les réglages.
 - E. Articles ou services qui sont exigés pour l'entretien normal du produit; par ex. lubrifiants, filtres et joints d'étanchéités.
 - F. Les moteurs à essence et les pièces détachées sont expressément exclus de cette garantie limitée. L'acheteur doit observer la garantie du fabricant de moteur qui est fournie avec le produit.
 - G. Articles supplémentaires qui ne sont pas couverts sous cette garantie:
 1. Tous les Compresseurs
 - a. Toutes pièces détachées endommagées pendant l'expédition, n'importe quelle panne causée par un montage ou fonctionnement du modèle sous des conditions qui ne conforment pas aux directives de montage et de fonctionnement ou dommage causée par le contact avec les outils ou les alentours.
 - b. La panne de la pompe ou de la soupape causée par la pluie, l'humidité excessive, un environnement corrosif ou autres polluants.
 - c. Les défauts de forme qui n'ont pas d'effet sur le fonctionnement du compresseur.
 - d. Les moteurs électriques, les clapets, et les manostats.
 - e. Robinets de vidange.
 - F. Dommage dû à la tension ou installation de fils incorrecte.
 - g. Autres articles pas indiqués mais considérés pièces à fatigue générales.
 - h. Manostats, régulateurs d'air et soupapes de sûreté qui ont été modifiés d'après les réglages de l'usine.
 2. Compresseurs Graissés
 - a. Usure de la pompe ou dommage aux soupapes causé par l'utilisation d'huile non-spécifiée.
 - b. Usure de la pompe ou dommage aux soupapes causé par toute contamination d'huile ou par le manque de suivre les directives d'entretien d'huile.
 3. Commande par Courroie / Commande Directe / Compresseurs à Essence
 - a. Courroies
 - b. Usure de bagues causée par l'entretien de filtre insuffisant
 - c. Appareils manuels de chargement/déchargement et appareils de commande d'obturateur.
7. RESPONSABILITÉS DU GARANT AUX TERMES DE CETTE GARANTIE: Réparation ou remplacement, au choix du Garant, d'un compresseur ou d'une pièce détachée qui se sont révélés défectueux ou qui ne se sont pas conformés pendant la durée de validité de la garantie.
8. RESPONSABILITÉS DE L'ACHETEUR AUX TERMES DE CETTE GARANTIE:
 - A. Fournir une preuve d'achat datée et un état d'entretien.
 - B. La livraison ou expédition des compresseurs portatifs ou des pièces détachées au Centre De Service Autorisé Campbell Hausfeld. Taux de frais, si applicables, sont la responsabilité de l'acheteur.
 - C. Utilisation et entretien du produit avec un soin raisonnable, ainsi que le décri(vent)t le(s) manuel(s) d'utilisation.
9. RÉPARATION OU REMPLACEMENT EFFECTUÉ PAR LE GARANT AUX TERMES DE LA PRÉSENTE GARANTIE: La réparation ou le remplacement sera prévu et exécuté en fonction de la charge de travail dans le centre de service et dépendra de la disponibilité des pièces de rechange.

Cette Garantie Limitée s'applique aux É.-U., au Canada et au Mexique seulement et vous donne des droits juridiques précis. L'acheteur peut également jouir d'autres droits qui varient d'une Province, d'un État ou d'un Pays à l'autre.



Compresores Sin Aceite

Manual de Instrucciones y Lista de Piezas



Modelo: AC080100 and DC080100

SP



Por favor, lea y guarde estas instrucciones. Lealas cuidadosamente antes de tratar de montar, instalar, operar o dar mantenimiento al producto aquí descrito.

Protejase usted mismo y a los demás observando toda la información de seguridad. ¡El no cumplir con las instrucciones puede ocasionar daños, tanto personales como a la propiedad! Guarde estas instrucciones para referencia en el futuro.

RECORDATORIO: ¡guarde su comprobante de compra con fecha para fines de la garantía! Adjúntela a este manual o archívela en lugar seguro.

Para ordenar repuestos, información de productos y servicios visítenos en www.campbellhausfeld.com

Modelo #: _____

No. de Serie #: _____

Fecha de Compra: _____

Campbell Hausfeld
350 Embry Drive
Leitchfield, KY, 42754

**¡REGISTRE SU PRODUCTO EN LÍNEA AHORA MISMO! www.campbellhausfeld.com/reg
LEA Y SIGA TODAS LAS INSTRUCCIONES • GUARDE ESTAS INSTRUCCIONES • NO LAS DESECHE**



ANTES DE COMENZAR

Descripción

Este compresor sin aceite ha sido diseñado para personas con habilidades manuales para llevar a cabo una variedad de proyectos relacionados con el hogar o el vehículo. Estos compresores alimentan pistolas de rociado, herramientas de impacto y otras herramientas. El aire comprimido producido por esta unidad contiene humedad. Instale un filtro para agua o un secador de aire si la aplicación requiere de aire seco.

DESEMPAQUE

⚠ PRECAUCION

Nunca alce o mueva la unidad sin usar un equipo adecuado. Cerciórese de que la unidad esté bien segura. No la tome por los tubos o piezas del sistema de enfriamiento para levantarla. No use la unidad para alzar otros equipos.

Después de desempacar la unidad, inspecciónela cuidadosamente para detectar cualquier daño que pueda haber ocurrido durante el envío. Verifique que no haya piezas sueltas, faltantes ni dañadas. Asegúrese de que todos los accesorios proporcionados vengan con la unidad. En caso de que tenga preguntas, o de que haya piezas dañadas o faltantes, por favor visite www.campbellhausfeld.com para asistencia al cliente.



NE PAS RENVOYER LE PRODUIT AU MARCHAND!

⚠ ADVERTENCIA

No debe utilizar la unidad si se ha dañado durante el envío, manejo o uso. Los daños podrían ocasionar una explosión y ocasionarle heridas o daños a su propiedad.

INSTRUCCIONES GENERALES DE SEGURIDAD

Lineamientos de seguridad

Este manual contiene información que es muy importante que se conozca y comprenda. Esta información se proporciona con fines de SEGURIDAD y para EVITAR PROBLEMAS CON EL EQUIPO. Para ayudar a reconocer esta información, observe los siguientes símbolos.

⚠ PELIGRO

Peligro indica una situación inminentemente peligrosa, que si no se evita, dará como resultado la muerte o lesiones graves.

⚠ ADVERTENCIA

Advertencia indica una situación potencialmente peligrosa, que si no se evita, PODRÍA ocasionar la muerte o lesiones graves.

⚠ PRECAUCION

Precaución indica una situación potencialmente peligrosa, que si no se evita, PUEDE dar como resultado lesiones leves o moderadas.

AVISO

Aviso indica una información importante, que de no seguirla, le podría ocasionar daños al equipo.

IMPORTANTE o NOTA: información que requiere atención especial.

Símbolos de Seguridad

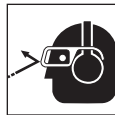
Los siguientes símbolos de seguridad aparecen a lo largo de este manual para advertirle de importantes peligros y precauciones de seguridad.



Use protección para los ojos y máscara



Lea primero el manual



Use protectores para la vista y los oídos



Riesgo de incendio



Riesgo de piezas calientes



Riesgo de explosión



Riesgo de choque eléctrico



Riesgo de presión

INSTRUCCIONES GENERALES DE SEGURIDAD (CONTINUACIÓN)

Proposición 65 de California

⚠ ADVERTENCIA Este producto puede exponerlo a sustancias químicas, incluyendo el plomo. Además, el estado de California reconoce que ocasionan cáncer y defectos congénitos u otros daños reproductivos. Para obtener más información, visite el sitio web www.P65Warnings.ca.gov.



⚠ ADVERTENCIA Cuando corta lija, taladra o pule materiales como por ejemplo madera, pintura, metal, hormigón, cemento, u otro tipo de mampostería se puede producir polvo. Con frecuencia este polvo contiene productos químicos que se conocen como causantes de cáncer, defectos congénitos u otros daños reproductivos. Use equipo de protección.

Ley de Prevención de Envenenamiento por Plomo de Illinois

⚠ ADVERTENCIA CONTIENE PLOMO. PUEDE SER NOCIVO SI SE INGIERE O MASTICA. CUMPLE CON LAS NORMAS FEDERALES.

Importantes Instrucciones De Seguridad

Sírvase leer y guardar estas instrucciones. Lea con cuidado antes de tratar de armar, instalar, manejar o darle servicio al producto descrito en este manual. Protéjase Ud. y a los demás observando todas las reglas de seguridad. El no seguir las instrucciones podría resultar en heridas y/o daños a su propiedad. Guarde este manual como referencia.

Este manual contiene información sobre seguridad, funcionamiento y mantenimiento. Si tiene preguntas, por favor visite www.campbellhausfeld.com para asistencia al cliente.

⚠ PERIGO

ADVERTENCIA SOBRE EL AIRE RESPIRABLE

Este compresor/cabezal no viene listo de fábrica para suministrarle aire respirable. Antes de utilizarlos con este fin, deberá instalarle un sistema de seguridad y alarma incorporado a la línea. Este sistema adicional es necesario para filtrar y purificar el aire adecuadamente, para cumplir con las especificaciones mínimas sobre aire respirable de Grado D descritas en la Especificación de Productos G 7.1 de la Asociación de Aire Comprimido. Igualmente, deberá cumplir los requisitos establecidos por el Artículo 29 CFR 1910. 134 de la Organización norteamericana OSHA y/o la Canadian Standards Associations (CSA).

RENUNCIA A LAS GARANTIAS

Si el compresor se utiliza para producir aire respirable SIN haberle instalado el sistema de seguridad y alarma, todas las garantías se anularán y el fabricante no asumirá NINGUNA responsabilidad por pérdidas, heridas personales o daños.

Generales Seguridad

Como el compresor de aire y otros componentes usados (bomba de material, pistolas pulverizadoras, filtros, lubricadores, mangueras, etc.) integran un sistema de alta presión, en todo momento deberá seguir las siguientes medidas de seguridad:

⚠ ADVERTENCIA No lo haga funcionar sin supervisión. El dejar el compresor en la posición AUTO puede causar que se encienda inadvertidamente. Para prevenir que eso ocurra y posibles daños por un aumento de tensión, apague el compresor después de cada uso.



1. Lea con cuidado todos los manuales incluidos con este producto. Familiarícese con los controles y el uso adecuado del equipo.
2. Siga todos los códigos de seguridad laboral y electricidad establecidos en su país, por ejemplo, los de la NEC y OSHA en EUA.
3. Sólo personas bien familiarizadas con estas medidas de seguridad deben utilizar el compresor.
4. Mantenga a los visitantes alejados y NUNCA permita la presencia de niños en el área de trabajo.
5. Use anteojos de seguridad y protéjase los oídos para operar la unidad.
6. No se encarama sobre la unidad ni la use para sostenerse.
7. Antes de cada uso, revise el sistema de aire comprimido y los componentes eléctricos para ver si están dañados, deteriorados o hay fugas. Antes de usarlo cerciórese de reemplazar las piezas defectuosas.
8. Chequé con frecuencia todas las conexiones y cerciórese de que estén bien apretadas.



INFORMACIONES GENERALES DE SEGURIDAD (CONTINUACIÓN)



⚠ ADVERTENCIA *Los motores, equipos eléctricos y controles, pueden ocasionar arcos eléctricos que se encenderían con gases o vapores inflamables. Nunca utilice o repare el compresor cerca de gases o vapores inflamables. Nunca almacene líquidos o gases inflamables cerca del compresor.*



⚠ PRECAUCION *Las piezas del compresor podrían estar calientes, inclusive cuando la unidad esté apagada.*

9. Mantenga los dedos alejados del compresor cuando esté funcionando; las piezas en movimiento o calientes le ocasionarían heridas y/o quemaduras.
10. Si el equipo comienza a vibrar excesivamente, APAGUE la unidad y chequéela inmediatamente para determinar el problema. Generalmente, la vibración se debe a una falla.
11. Para reducir el peligro de incendios, mantenga el exterior del compresor limpio (sin aceite, solvente o exceso de grasa).



⚠ ADVERTENCIA *DEBE instalarle una válvula de seguridad ASME que esté diseñada para presiones máximas de 10,34 bar en el tanque de este compresor. Esta válvula debe estar diseñada para los valores máximos de flujo y presión para proteger los componentes bajo presión contra el peligro de explosión.*

⚠ ADVERTENCIA *Nunca use tuberías de plástico (PVC) en sistemas de aire comprimido. El compresor sin las tapas de protección. El hacerlo podría ocasionarle heridas o daños a su propiedad.*



⚠ PELIGRO *¡Nunca trate de reparar o modificar el tanque! Al soldarlo, taladarle orificios o modificarlo de cualquier otro modo éste se debilitaría y podría romperse o explotar. Siempre reemplace los tanques desgastados, rotos o dañados.*

AVISO

Drene el tanque diariamente.

12. Los tanques se oxidan debido a la acumulación de humedad. Cerciórese de drenar el tanque con regularidad e inspecciónelo periódicamente para ver si no está en buenas condiciones, por ejemplo si está oxidado.
13. Si expulsa aire rápidamente podría levantar polvo o residuos dañinos. Libere el aire lentamente para drenar el tanque o liberar la presión del compresor.

Precauciones Para Rociar



⚠ ADVERTENCIA *Nunca rocíe materiales inflamables cerca de llamas al descubierto o fuentes de ignición, incluyendo el compresor.*



14. No fume mientras esté rociando pintura, insecticidas u otras sustancias inflamables.
15. Use una máscara / respirador cuando vaya a rociar y siempre rocíe en un área bien ventilada, para evitar peligros de salud e incendios.
16. Nunca rocíe la pintura y otros materiales, directamente hacia el compresor. Coloque el compresor lo más lejos posible del área de trabajo, para minimizar la acumulación de residuos en el compresor.
17. Al rociar o limpiar con solventes o químicos tóxicos, siga las instrucciones del fabricante de dichos químicos.

ESPECIFICACIONES**AC080100, DC080100**

HP del motor	2
Capacidad del tanque	30,28 L
Fases	Monofásico
Cantidad de cilindros	1
Suministro de aire @ 6,2 bar	104,8 l/min
Voltaje	120
Amperes	14A
Hertz (ciclos)	60
Presión máxima	150
Salida del tanque	1/4 pulg. IM
Peso de la unidad	27,80 kg

DIMENSIONS**AC080100, DC080100**

Long.	67,5 cm (26,6 pulg.)
Anch.	36 cm (14.2 pulg.)
Alt.	63,50 cm (25 pulg.)

INSTRUCCIONES PARA EL ENSAMBLAJE

Ensamblaje del mango (Figura 1)

1. Coloque los extremos del mango alrededor del tanque y dentro de la tubería de montaje. Alinee los orificios del mango con los orificios de la tubería de montaje.
2. Pase 4 (cuatro) tornillos (del paquete de partes) a través de los agujeros en la tubería de montaje y el mango. Apriete los tornillos.

⚠ ADVERTENCIA *Nunca use el mango para levantar la unidad completamente. Use el mango solamente para levantar un extremo para que las ruedas puedan usarse para mover la unidad.*

Ensamblaje De La Rueda (Figura 2)

El juego del ensamble de la rueda incluye:

- 2 ruedas*
- 2 pernos de eje*
- 2 arandelas*
- 2 tuercas*
- 2 tapacubos*

Los artículos marcados con asterisco (*) se despacharon sueltos con la unidad.

1. La rueda tiene un cubo descentrado. Coloque la inserción de la rueda en el centro del cubo. Con el cubo descentrado hacia el hierro del eje, instale el perno del eje a través de la arandela y de los orificios de la rueda y del hierro del eje.
2. Coloque la arandela de presión en el perno del eje. Luego apriete la tuerca de modo seguro a la parte roscada del perno del eje.
3. Repita el procedimiento con el otro lado.

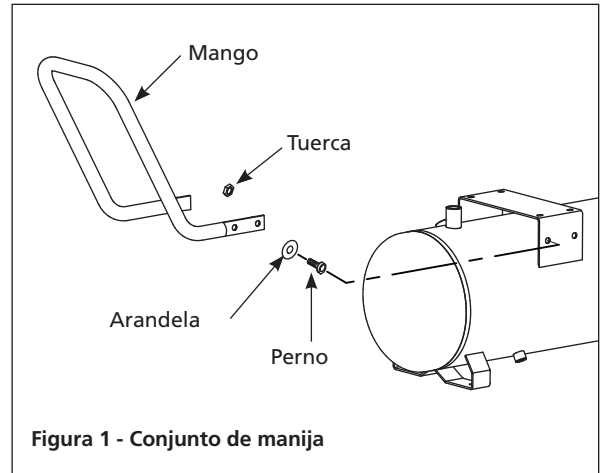


Figura 1 - Conjunto de manija

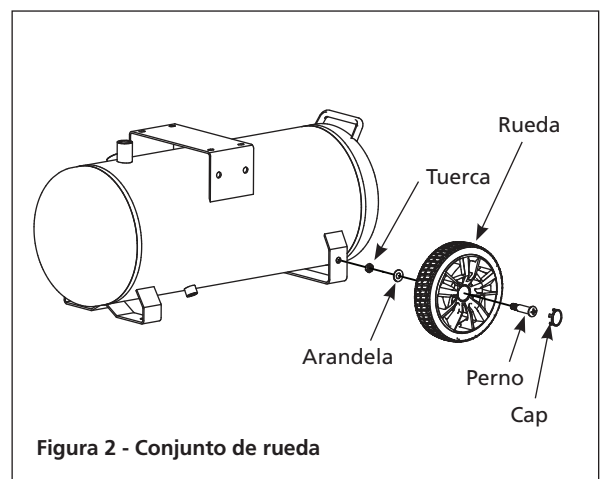


Figura 2 - Conjunto de rueda

CONOZCA SU UNIDAD

Presostato - Sistema de encendido automático - En la posición "**AUTO**", el compresor se apaga automáticamente cuando la presión del tanque alcanza la presión máxima fijada. En la posición "**OFF**", el compresor no puede funcionar. El presostato debe colocarse en "**OFF**" para conectar o desconectar el cordón eléctrico del tomacorrientes o para cambiar la herramienta neumática.

Regulador - El regulador controla la cantidad de presión de aire expulsada por la manguera.

Válvula de Seguridad ASME - Esta válvula automáticamente libera el aire si la presión del tanque excede el valor máximo fijado de fábrica.

Tubería de Descarga - Este tubería transporta el aire comprimido del cabezal a la válvula de chequeo. Esta tubería se calienta excesivamente durante el uso. Para evitar quemaduras graves, nunca la toque.

Válvula de Chequeo - Esta válvula solo permite que el aire entre al tanque y evita que éste se regrese al cabezal.

Mango - Diseñado para mover el compresor.

⚠ ADVERTENCIA *Nunca use el mango de las unidades con ruedas para levantar completamente la unidad.*

Válvula de Drenaje - Esta válvula está ubicada debajo del tanque. Úsela para drenar la humedad del tanque diariamente, para evitar que el tanque se oxide.

Manómetros - Estos manómetros indican la presión de aire en el tanque del compresor y a la salida del compresor.

Manómetro de salida - Indica la presión de aire a la salida en libras por pulgada cuadrada (bar / PSI). Asegúrese de que este manómetro indique CERO (girando la perilla completamente en sentido antihorario) antes de cambiar herramientas o desconectar la manguera de la salida.

Manómetro del tanque - Indica la presión de aire en el tanque mientras el compresor está en marcha, confirmando que el compresor está aumentando la presión adecuadamente. Este manómetro indica la presión máxima del compresor cuando el interruptor de presión lo apague automáticamente.

Reinicio del motor - (no se muestra, ubicado dentro del motor). Diseñado para evitar que el motor se recaliente. El motor tiene un protector de reinicio automático. Para reiniciar una vez que se haya enfriado el motor, coloque el interruptor en la posición de apagado (OFF) y luego en la posición de automático (AUTO).

⚠ PRECAUCION *Este compresor está equipado con un protector de sobrecarga que apagará el motor si éste se sobrecarga.*

⚠ PRECAUCION *Si se activa el protector de sobrecarga, se debe dejar enfriar el motor durante aproximadamente 30 minutos antes de que se reinicie.*

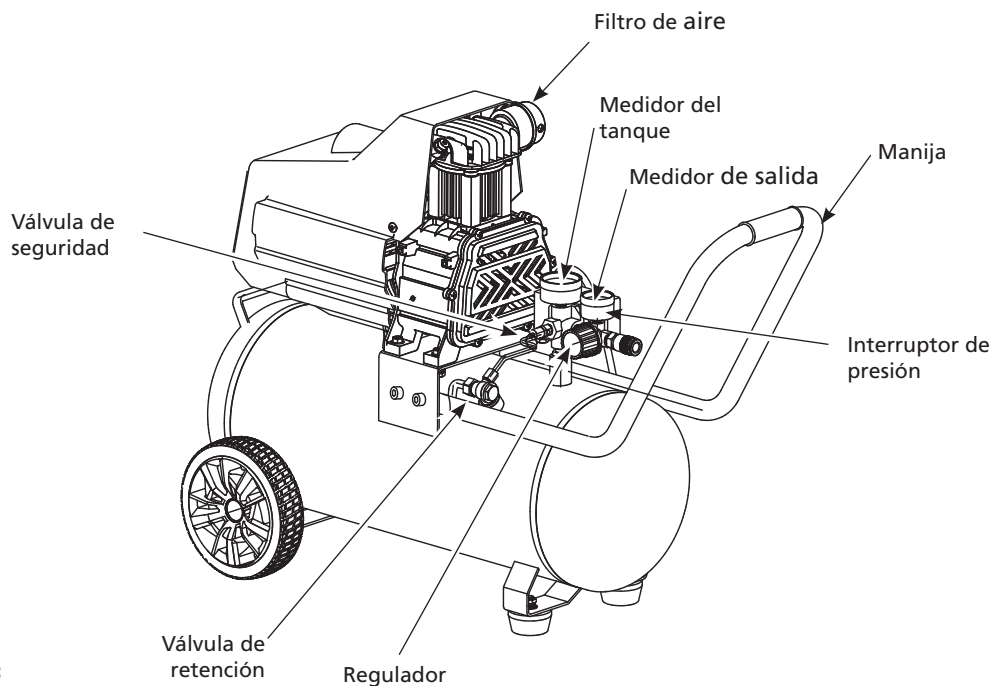


Figura 3

INSTRUCCIONES DE INSTALACIÓN

Colocación

Es extremadamente importante instalar el compresor en un área limpia, seca y bien ventilada. El compresor debe estar ubicado sobre una superficie firme y nivelada donde la temperatura del aire circundante no sobrepase los 38°C (100°F).

Se requiere un espacio mínimo de 45,7 cm (18 pulgadas) entre el compresor y la pared, ya que los objetos podrían obstruir el paso de aire.

PRECAUCION

No coloque la entrada de aire del compresor cerca de áreas con vapor, vapores de pintura, chorros de arena o cualquier otra fuente de contaminación. Los desperdicios dañarán el motor.

Instalación eléctrica

ADVERTENCIA

Todas las conexiones eléctricas y el alambrado deberán ser llevados a cabo por un electricista profesional. La instalación debe estar conforme con los códigos locales y los códigos nacionales sobre electricidad.



Alambrado

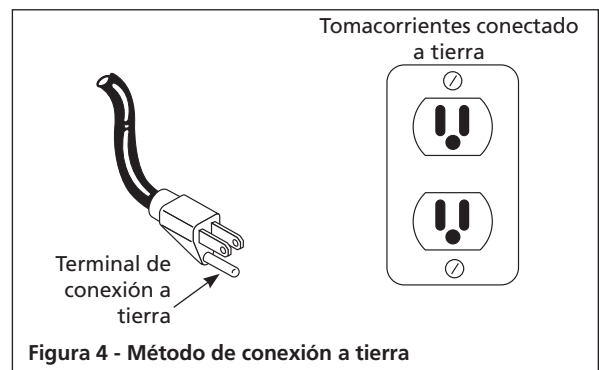
1. Los códigos eléctricos varían de un área a otra. Sin embargo, el alambrado, enchufe y protectores se deben seleccionar según las especificaciones de amperaje y voltaje indicados en la placa del motor y cumplir con las especificaciones mínimas.
2. Use fusibles de acción retardada tipo T o un cortacircuito.
3. Este producto está diseñado para circuitos nominales de 120 voltios y tiene un enchufe para conexión a tierra similar al de la Figura 4. Cerciórese de conectarlo a un tomacorrientes cuya configuración sea similar a la del enchufe. Este producto se debe conectar a tierra. En caso de que ocurra un cortocircuito, esto evitaría el riesgo de choque eléctrico al ofrecerle un cable de desvío a la corriente eléctrica. Este producto tiene un cordón con un alambre y terminal de conexión a tierra. Debe conectarlo a un tomacorrientes que esté instalado adecuadamente según los códigos y ordenanzas locales.

PRECAUCION

Si no conecta los cables adecuadamente podría haber cortocircuitos, incendios, sobrecalentamiento, etc.

Calibre mínimo del cable de extensión		
7,5 m	15 m	30 m
14	12	10

Usar un cable de extensión puede provocar exceso de calor en el motor. Esto puede llevar a que se dispare el disyuntor (en el panel eléctrico) o a que se dispare una sobrecarga térmica (en el motor del compresor). Si sucede esto, quite el cable de extensión y enchufe el compresor directamente en el tomacorrientes. Evite usar cables de extensión, en lugar de eso use una manguera de aire más larga.



INSTRUCCIONES DE OPERACIÓN

Antes de arrancarlo por Primera vez Procedimiento de ablande

(Complete este procedimiento antes de usar el compresor por primera vez. Una vez completado, no es necesario repetirlo.)

1. Abra la válvula de drenaje que se encuentra en la parte inferior del tanque.
2. Coloque el interruptor de encendido / apagado en la posición **OFF** (apagado).
3. Enchufe el cable de corriente.
4. Gire el interruptor de encendido/apagado a la posición **ON** (encendido) y haga funcionar el compresor durante 30 minutos.
5. Coloque el interruptor de encendido / apagado en la posición **OFF** (apagado).
6. Desenchufe el cordón de corriente.
7. Cierre la válvula de drenaje.

Ahora el compresor está listo para ser usado.

Funcionamiento

1. Coloque el interruptor en **OFF** y conecte el cordón al tomacorrientes.
2. Gire la perilla del regulador en sentido antihorario para cerrar el flujo de aire.
3. Coloque el interruptor en **AUTO**.
4. El compresor aumentará la presión al valor máximo y se apagará.
5. Con la manguera conectada a la salida del compresor, conecte la boquilla para la llanta u otra herramienta al extremo libre de la manguera.
6. Ajuste el regulador a la presión adecuada para una herramienta o neumático. Maneje la herramienta según las instrucciones.

A medida que el aire del tanque se agota por el uso de la boquilla para la llanta, herramienta, etc., el compresor vuelve a encenderse automáticamente a la presión prefijada de activación. Cuando se use una herramienta en forma continua, el compresor cumplirá ciclos de encendido y apagado en forma automática.

7. Cuando termine de usar el compresor, ponga el interruptor en OFF, desenchufe el cable eléctrico y drene el aire del tanque.

HUMEDAD EN EL AIRE COMPRIMIDO

La humedad que se acumula en el aire comprimido se convierte en gotas a medida que sale de la bomba. Cuando el nivel de humedad es muy alto o cuando el compresor ha estado en uso continuo por mucho tiempo, esta humedad se acumulará en el tanque. Cuando esté pintando o rociando arena, la humedad saldrá del tanque mezclada con el material que esté rociando.

IMPORTANTE: Esta condensación ocasionará manchas en la pintura, especialmente cuando esté pintando con pinturas que no sean a base de agua. Si está rociando arena, la humedad hará que la arena se aglutine y obstruya la pistola.

Un filtro en la línea de aire, ubicado lo más cerca posible de la pistola, ayudará a eliminar esta humedad.

GUIA DE IDENTIFICACION DE PROBLEMAS

SÍNTOMA	CAUSA(S) POSIBLE(S)	MEDIDA CORRECTIVA
El compresor no funciona	<ol style="list-style-type: none"> 1. El interruptor está en la posición OFF (apagado) 2. No hay corriente eléctrica en el tomacorriente de la pared 3. El compresor alcanzó la presión de corte automático 4. Motor recalentado 5. Conexiones eléctricas sueltas 6. Interruptor de ON/OFF defectuoso 7. Interruptor de presión defectuoso 8. Motor defectuoso 	<ol style="list-style-type: none"> 1. Asegúrese de que el compresor esté enchufado y que el interruptor esté en la posición ON (encendido). 2. Revise el disyuntor o fusible en el panel de electricidad. 3. Libere aire del tanque hasta que el compresor se reinicie automáticamente. 4. Deje que el compresor se enfríe durante aproximadamente 30 minutos para que el interruptor térmico de sobrecarga vuelva a su posición normal. Asegúrese de que el compresor esté funcionando en un área limpia y bien ventilada donde la temperatura no exceda los 38°C (100°F). 5. Verifique todas las conexiones eléctricas. 6. Reemplace el interruptor ON / OFF. 7. Cambie el interruptor de presión. 8. Reemplace el ensamble de la bomba / motor.
Los fusibles se queman/ cortacircuito se activa con frecuencia	<ol style="list-style-type: none"> 1. Fusible inadecuado, circuito sobrecargado 2. Uso del cable de extensión – calibre inadecuado del cable y/o demasiado largo 3. Válvula de retención desgastada 4. Válvula de descarga defectuosa (en el interruptor de presión) 5. Condensador(es) del motor defectuoso(s) 6. Motor defectuoso 	<ol style="list-style-type: none"> 1. Cerciórese de que está usando el fusible adecuado, use un fusible de acción retardada. Desconecte los otros artefactos eléctricos del circuito o conecte el compresor a otro circuito. 2. Retire el cable de extensión o consulte la Tabla para el Cable de Extensión, en la página 7. 3. Cambie la válvula de retención. <p>⚠ PELIGRO <i>No desensamble la válvula de retención con aire en el tanque;</i></p> <ol style="list-style-type: none"> 4. <i>purgue el tanque.</i> Cambie la válvula de descarga. 5. Reemplace el condensador(es). 6. Cambie el motor.
La presión del tanque baja cuando el compresor se apaga	<ol style="list-style-type: none"> 1. Conexiones flojas (conexiones, tuberías, etc.) 2. Abra la válvula de drenaje del tanque. 3. Fugas del tanque 	<ol style="list-style-type: none"> 1. Revise todas las conexiones con una solución de agua y jabón. Apriete, o retire y aplique sellador o cintas para roscas, luego vuelva a ensamblar. 2. Cierre la válvula de drenaje del tanque. 3. Revise el tanque en busca de fugas con una solución de agua y jabón. Si detecta una fuga, se deberá reemplazar el tanque con una pieza de repuesto original.
El compresor funciona en forma continua y/o la salida de aire es más baja que la presión de descarga normal/baja.	<ol style="list-style-type: none"> 1. Consumo excesivo de aire 2. Filtro de entrada obstruido 3. Abra la válvula de drenaje del tanque. 4. Hay fugas de aire en las tuberías (del compresor o del sistema de conexión) 5. Aro del pistón desgastado 6. Válvula dañada (en la bomba) 7. Fugas del tanque 8. El presostato está dañado 	<ol style="list-style-type: none"> 1. Disminuya el consumo de aire; el compresor es muy pequeño para suministrar el aire requerido. 2. Limpie o reemplace el filtro. 3. Cierre la válvula de drenaje del tanque. 4. Revise todas las conexiones con una solución de agua y jabón. Apriete, o retire y aplique sellador o cintas para roscas, luego vuelva a ensamblar. 5. Reemplácelo. 6. Cambie la válvula. 7. Revise el tanque en busca de fugas con una solución de agua y jabón. Si detecta una fuga, se deberá reemplazar el tanque con una pieza de repuesto original. 8. Reemplace el presostato.

GUIA DE IDENTIFICACION DE PROBLEMAS

SÍNTOMA	CAUSA(S) POSIBLE(S)	MEDIDA CORRECTIVA
Excesos de humedad en el aire expulsado	<ol style="list-style-type: none"> Exceso de agua en el tanque Humedad alta 	<ol style="list-style-type: none"> Drene el tanque. Mueva el compresor a una área menos húmeda; use un filtro de aire incorporado a la línea
Golpeteos, zumbidos, y/o vibración excesiva.	<ol style="list-style-type: none"> Pernos de montaje sueltos El tanque no está nivelado El cilindro o pistón está desgastado / marcado 	<ol style="list-style-type: none"> Ajuste los pernos. Utilice una cuña/objeto fuerte para poner el tanque a nivel. Reemplace o repare según sea necesario.
El compresor funciona en forma continua y la válvula de seguridad se abre cuando aumenta la presión	<ol style="list-style-type: none"> Presostato defectuoso Válvula de seguridad defectuosa 	<ol style="list-style-type: none"> Reemplace el interruptor. Cambie la válvula de retención con un repuesto original.
Fuga de aire en la válvula de descarga en el interruptor de presión	<ol style="list-style-type: none"> Válvula de retención atascada en la posición de abierto Válvula de descarga atascada en la posición de abierto 	<ol style="list-style-type: none"> Repare o cambie la válvula de retención. Repare o cambie la válvula de descarga. <p>⚠ PELIGRO <i>No desensamble la válvula de retención con aire en el tanque; purgue el tanque.</i></p>

INSTRUCCIONES DE MANTENIMIENTO E INSPECCIÓN



ADVERTENCIA

Desconecte el cordón eléctrico y amárrelo; después libere toda la presión del sistema antes de tratar de instalarlo, darle servicio o darle cualquier tipo de mantenimiento.

Este compresor se debe chequear con frecuencia para ver si tiene algún tipo de problemas y le debe dar el siguiente mantenimiento antes de cada uso.

Valvula de seguridad ASME

ADVERTENCIA

Nunca desconecte o trate de ajustar la válvula de seguridad ASME.

Revise la válvula de seguridad siguiendo los siguientes pasos:

1. Enchufe el compresor y hágalo funcionar hasta que se alcance la presión de corte (consulte Funcionamiento).
2. Usando gafas de protección, tire del anillo de la válvula de seguridad para liberar la presión del tanque del compresor. Use su otra mano para desviar el aire que se mueve a gran velocidad y evitar que le dé en el rostro.
3. Esta válvula de seguridad debería cerrarse automáticamente a 2,76 bar - 3,45 bar. Si la válvula de seguridad no deja salir aire cuando tira del anillo o si no se cierra automáticamente, DEBE ser reemplazada.

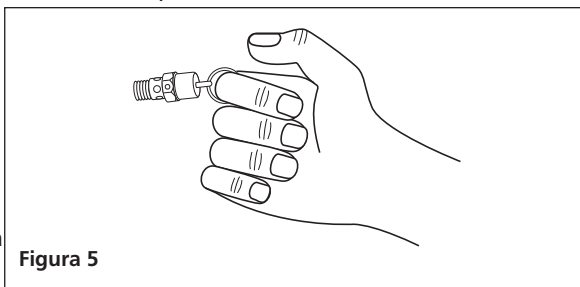


Figura 5

ADVERTENCIA

Se debe reemplazar la válvula de seguridad si no se puede accionar o si tiene una fuga de aire después de liberar el anillo.

Drene el tanque

1. Apague el compresor y libere la presión del sistema. (Para liberar la presión del sistema, tire del anillo de la válvula de seguridad ASME. Desvíe el aire cubriendo la válvula con una mano mientras tira del anillo con la otra mano.) Tire del anillo hasta vaciar el tanque.

PRECAUCION

Cuando se abra la válvula de seguridad con presión en el tanque, se liberará una gran cantidad de aire que se mueve a gran velocidad. Use gafas de seguridad Z87.1 aprobadas por ANSI.

2. Drene la humedad del tanque abriendo la válvula de drenaje debajo del tanque. Incline el tanque para eliminar toda la humedad.
3. Limpie el polvo y la suciedad del tanque, las líneas de aire y la cubierta de la bomba, mientras el compresor continúa apagado (OFF).

Mantenimiento del filtro de entrada de aire

Remoción, inspección y cambio (Figura 6).

El filtro de entrada deberá retirarse y verificarse en forma periódica. Un filtro de aire obstruido puede disminuir el rendimiento del compresor y provocar su recalentamiento.

1. Quite el perno.
2. Retire la cubierta del filtro y el elemento del filtro. Inspeccione cada pieza.
3. Si el elemento del filtro está sucio u obstruido, cámbielo.
4. Vuelva a instalar el filtro, la cubierta y el perno. Antes de usar, insertar el filtro de aire de entrada en la abertura enroscada del lado del cabezal del compresor como se muestra en la Imagen 6.

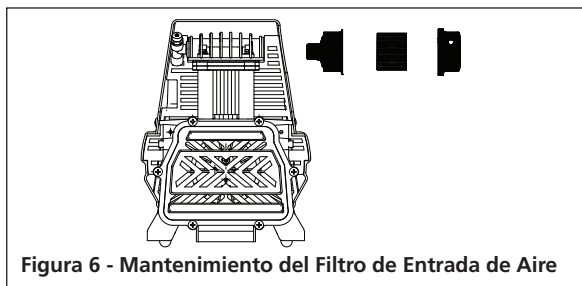


Figura 6 - Mantenimiento del Filtro de Entrada de Aire

IMPORTANTE: Para prevenir que el exceso de pulverización atore el filtro, coloque la unidad tan lejos del área de pulverización como le permita la manguera.

INSTRUCCIONES DE MANTENIMIENTO E INSPECCIÓN (CONTINUACIÓN)

Conclusión del trabajo/almacenaje

1. Coloque el interruptor de AUTO/OFF en la posición **OFF** (apagado).
2. Desenchufe el cordón del tomacorrientes de pared y envuélvalo alrededor del mango para prevenir daños cuando no se use.
3. Con las gafas de seguridad puestas, descargue el aire del tanque halando el anillo de la válvula de seguridad. Use su otra mano para desviar el aire que se mueve a gran velocidad y evitar que le dé en el rostro.
4. Drene el tanque de la condensación abriendo la válvula de drenaje al fondo del tanque. Cuando drene el tanque, la presión debe estar por debajo de 0,69 bar.
5. Debe desconectar la manguera del compresor y colgarla con los extremos hacia abajo para que toda humedad se drene.
6. El compresor y la manguera deben guardarse en un lugar fresco y seco.

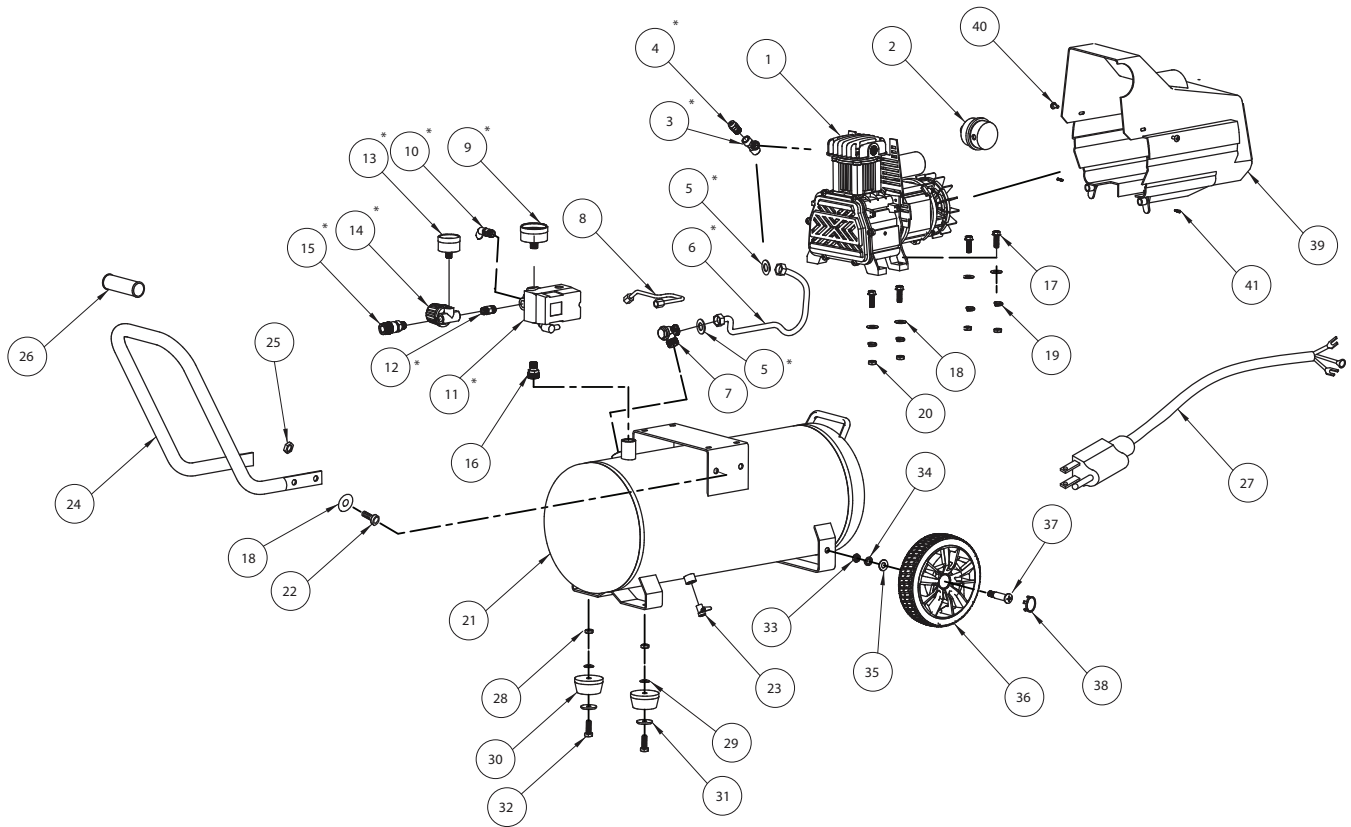
Assistência Técnica

Para obtener información sobre el funcionamiento o reparación de este producto, visite www.campbellhausfeld.com.

MANTENIMIENTO

SERVICIO NECESARIO	DIARIAMENTE	SEMANALMENTE	MENSUALMENTE
DRENE EL TANQUE	●		
CHEQUEE EL FILTRO DE AIRE		●	
CHEQUEE LA VÁLVULA DE SEGURIDAD		●	
LIMPIE LA UNIDAD			●

ILUSTRACIÓN DE LOS REPUESTOS PARA AC080100 Y DC080100



**Para repuestos, visite www.campbellhausfeld.com
24 horas al día, 365 días al año**

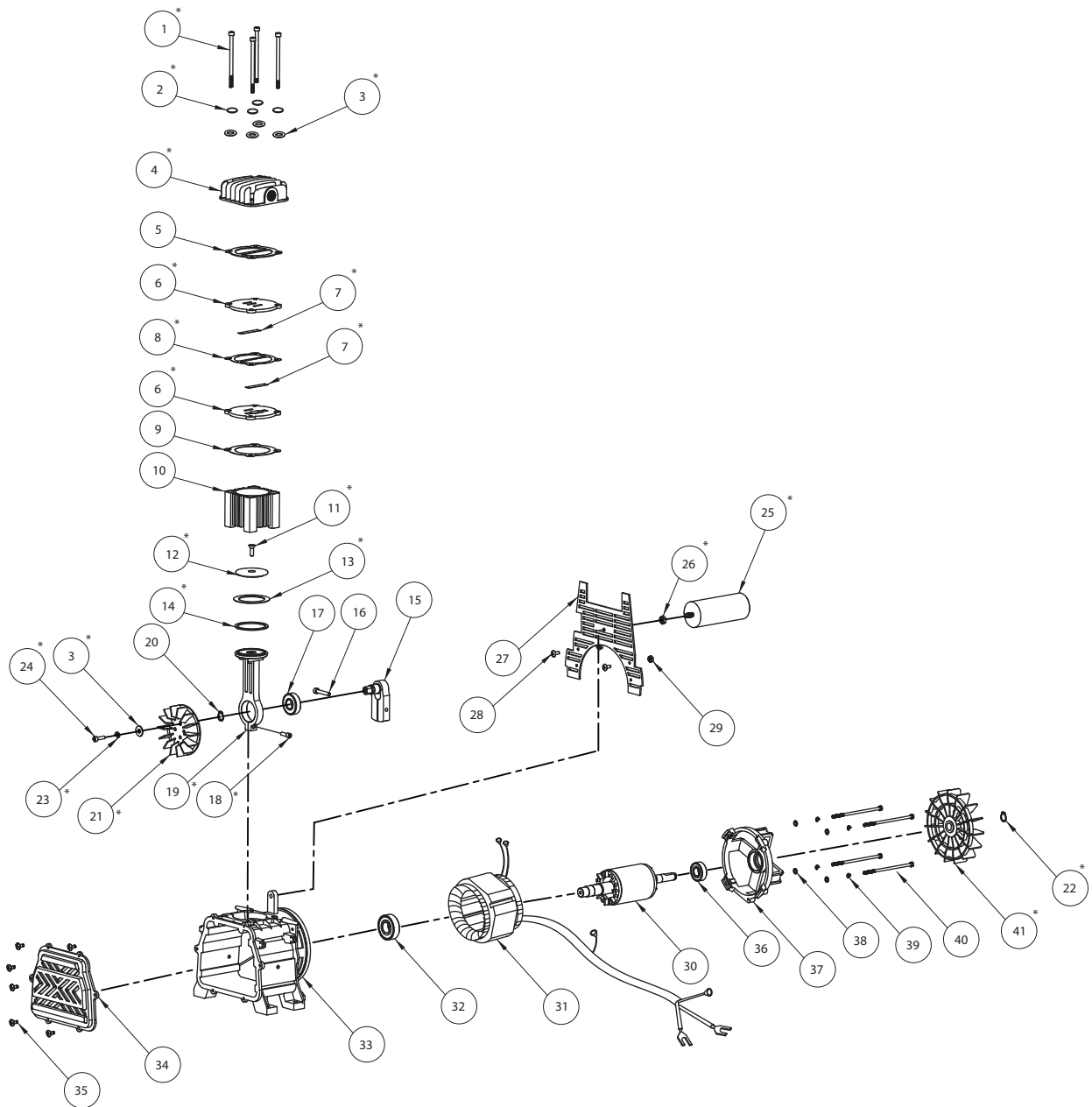
Por favor proporcione la siguiente información:

- Número de modelo
- Número de serie (si lo tiene)
- Descripción de la parte y número que le corresponde en la lista de partes

LISTA DE REPUESTOS PARA AC080100 Y DC080100

No. de Ref.	Descripción	No. de Parte	Ctd.
1	BOMBA/MOTOR	DC080101AV	1
2	FILTRO	DC080150AV	1
3	CONECTOR TIPO T	●	1
4	VÁLVULA DE ARRANQUE EN FRÍO	●	1
5	EMPAQUE DE ANILLO	■	2
6	TUBO DE ESCAPE	■	1
7	ENSAMBLAJE DE VÁLVULA DE RETENCIÓN	DC080152AV	1
8	TUBO DE DESCARGA	DC080162AV	1
9	MEDIDOR DEL TANQUE	▲	1
10	VÁLVULA DE SEGURIDAD	▲	1
11	INTERRUPTOR DE PRESIÓN	▲	1
12	CONECTOR	▲	1
13	MEDIDOR DE SALIDA	▲	1
14	REGULADOR	▲	1
15	ACOPLADOR	▲	1
16	CONECTOR	--	1
17	PERNO M8X25	--	4
18	ARANDELA M8	--	8
19	ARANDELA DE PRESIÓN M8	--	4
20	TUERCA M8	--	4
21	TANQUE	--	1
22	PERNO M8X15	▼	4
23	VÁLVULA DE DRENAJE	DC080153AV	1
24	MANIJA	▼	1
25	TUERCA M8	▼	4
26	AGARRADERA DE MANIJA	▼	1
27	EMPUÑADURA DE FUERZA	--	1
28	TUERCA M8	--	2
29	ARANDELA M8	--	2
30	SOPORTE DE CAUCHO	--	2
31	ARANDELA	--	2
32	PERNO M8X25	--	2
33	TUERCA M10	□	2
34	ARANDELA DE PRESIÓN M10	□	2
35	ARANDELA M10	□	2
36	RUEDA	□	2
37	PERNO	□	2
38	TAPA	□	2
39	CUBIERTA	--	1
40	TORNILLO M5X12	--	2
41	TORNILLO	--	2
JUEGOS DE REPUESTOS			
●	JUEGO DE VÁLVULA DE ARRANQUE EN FRÍO	DC080154AV	
■	JUEGO DE TUBO DE ESCAPE	DC080151AV	
▲	INTERRUPTOR DE PRESIÓN Y JUEGO REGULADOR	DC080155AV	
□	JUEGO DE LA RUEDA	DC080163AV	
▼	JUEGO DEL MANGO	DC080164AV	

ILUSTRACIÓN DE LOS REPUESTOS PARA DC080101AV



**Para repuestos, visite www.campbellhausfeld.com
24 heures par jour – 365 jours par an**

Fournir les informations suivantes :

- Numéro de modèle
- Numéro de série (s'il y en a un)
- Description et numéro de pièce comme indiqué sur la liste des pièces

LISTA DE REPUESTOS PARA DC080101AV

No. de Ref.	Descripción	No. de Parte	Ctd.
1	PERNO M6X110	●	4
2	ARANDELA DE PRESIÓN M6	●	4
3	ARANDELA M6	● ◆	5
4	CABEZAL DE CILINDRO	●	1
5	EMPAQUE DE CABEZAL DEL CILINDRO	--	1
6	PLACA DE VÁLVULA	■	2
7	LENGÜETA DE ELEVACIÓN DE VÁLVULA	■	2
8	EMPAQUE DE LA PLACA DE LA VÁLVULA	■	1
9	EMPAQUE DE CILINDRO	■	1
10	CILINDRO	--	1
11	TORNILLO M6X11	▲	1
12	TAPA DEL PISTÓN	▲	1
13	EMPACADURA DE CUERO	▲	1
14	ANILLO DE PISTÓN	▲	1
15	EXCÉNTRICO	--	1
16	TORNILLO M6X35	--	1
17	RODAMIENTO	--	1
18	TORNILLO M6X18	▲	1
19	BIELA	▲	1
20	ANILLO EXTERNO DE RETENCIÓN PARA EJE DE 15MM	--	1
21	VENTILADOR DE BIELA	◆	1
22	ANILLO EXTERNO DE RETENCIÓN PARA EJE DE 14MM	▷	1
23	RESORTE M6	◆	1
24	TORNILLO M6X20	◆	1
25	CAPACITOR	▼	1
26	TUERCA M8	▼	1
27	BAFLE	--	1
28	TORNILLO M4X12	--	4
29	TUERCA M4	--	4

No. de Ref.	Descripción	No. de Parte	Ctd.
30	ROTOR	--	1
31	ESTATOR	--	1
32	RODAMIENTO	--	1
33	CÁRTER	--	1
34	CUBIERTA DE CÁRTER	--	1
35	TORNILLO M5X12	--	6
36	RODAMIENTO	--	1
37	CIGUEÑAL DE RODAMIENTO TRASERO	--	1
38	ARANDELA M5	--	4
39	RESORTE M5	--	4
40	PERNO DE MOTOR M6X110	--	4
41	VENTILADOR	▷	1

JUEGOS DE REPUESTOS

●	JUEGO DE CABEZAL DE BOMBA	DC080156AV
■	JUEGO DE PLACA DE VÁLVULA	DC080157AV
▲	JUEGO DE PISTÓN	DC080158AV
▼	JUEGO DE CAPACITOR	DC080159AV
◆	JUEGO DE VENTILADOR FRONTAL	DC080160AV
▷	JUEGO DE VENTILADOR DE MOTOR	DC080161AV

DÉMARRAGE
DE L'APPAREIL

SÉCURITÉ / CARACTÉRISTIQUES

ASSEMBLAGE /
INSTALLATION

UTILISATION

DÉPANNAGE

ENTRETIEN /
RÉPARATION



Recordatorio: ¡Guarde su comprobante de compra con fecha para fines de la garantía! Adjúntela a este manual o archívela en lugar seguro.

GARANTÍA LIMITADA

1. DURACION: A partir de la fecha de compra por el comprador original tal como se especifica a continuación: Un Año.
 2. QUIEN OTORGA ESTA GARANTIA (EL GARANTE: Campbell Hausfeld a Marmon/Berkshire Hathaway Company, 350 Embry Drive, Leitchfield, KY, 42754. Visítenos www.campbellhausfeld.com
 3. QUIEN RECIBE ESTA GARANTIA (EL COMPRADOR): El comprador original (que no sea un revendedor) del producto Campbell Hausfeld.
 4. PRODUCTOS CUBIERTOS POR ESTA GARANTIA: este compresor de aire Campbell Hausfeld.
 5. COBERTURA DE LA GARANTIA: Los defectos substanciales de material y fabricación que ocurran dentro del período de validez de la garantía.
 6. LO QUE NO ESTA CUBIERTO POR ESTA GARANTIA:
 - A. Las garantías implícitas, incluyendo aquellas de comercialidad E IDONEIDAD PARA FINES PARTICULARES, ESTAN LIMITADOS A LO ESPECIFICADO EN EL PARRAFO DE DURACION. Si el compresor de aire es empleado para uso comercial, industrial o para renta, la garantía será aplicable por noventa (90) días a partir de la fecha de compra. En algunos estados no se permiten limitaciones a la duración de las garantías implícitas, por lo tanto, en tales casos esta limitación no es aplicable.
 - B. CUALQUIER PERDIDA DAÑO INCIDENTAL, INDIRECTO O CONSECUENTE QUE PUEDA RESULTAR DE UN DEFECTO, FALLA O MALFUNCIONAMIENTO DEL PRODUCTO CAMPBELL HAUSFELD. En algunos estados no se permite la exclusión o limitación de daños incidentales o consecuentes, por lo tanto, en tales casos esta limitación o exclusión no es aplicable
 - C. Cualquier falla que resulte de un accidente, abuso, negligencia o incumplimiento de las instrucciones de funcionamiento y uso indicadas en el (los) manual(es) que se adjunta(n) al compresor.
 - D. Servicio previo a la entrega, p. ej. ensamblado, aceite o lubricantes y ajuste.
 - E. Artículos o servicio que se requieren normalmente para mantener el producto, p. ej. lubricantes, filtros y juntas, etc.
 - F. Los motores de gasolina están específicamente excluidos de la cobertura de esta garantía limitada. El comprador debe seguir las cláusulas de la garantía otorgada por el fabricante del motor de gasolina que se suministra con el producto.
 - G. Artículos adicionales no cubiertos bajo esta garantía:
 1. Todos los Compresores
 - a. Cualquier componente dañado durante el envío o cualquier daño ocasionado por haber instalado u operado la unidad bajo condiciones contrarias a lo indicado en las instrucciones para instalar u operar la unidad o daños ocasionados por el contacto con herramientas o los alrededores.
 - b. Daños del cabezal o las válvulas ocasionados por la lluvia, humedad excesiva, agentes corrosivos u otros contaminantes.
 - c. Daños de apariencia que no afecten el funcionamiento del compresor.
 - d. Motores eléctricos, válvulas de retención e interruptores de presión.
 - e. Llaves de drenaje
 - f. Daños debidos al alambrado incorrecto o conexión a circuitos con voltaje inadecuados para la unidad.
 - g. Otros artículos no enumerados pero considerados de desgaste general.
 - h. Presostatos, controles de flujo de aire y válvulas de seguridad cuyos parametros fijados de fábrica se modifiquen.
 2. Compresores lubricados
 - a. Daños del cabezal o las válvulas debidos al uso de aceites no especificados.
 - b. Daños del cabezal o las válvulas debidos a cualquier contaminación del aceite o por no haber seguido las instrucciones de lubricación.
 3. Compresores con bandas/ de accionamiento directo/ motores de gasolina
 - a. Bandas
 - b. Daños de los anillos debido al mantenimiento inadecuado del filtro.
 - c. Ajustes manuales de los instrumentos de carga/descarga y válvula de estrangulación.
 7. RESPONSABILIDADES DEL GARANTE BAJO ESTA GARANTIA: Reparar o reemplazar, como lo decida el Garante, el compresor o componentes que estén defectuosos, se hayan dañado o hayan dejado de funcionar adecuadamente, durante el período de validez de la garantía
 8. RESPONSABILIDADES DEL COMPRADOR BAJO ESTA GARANTIA:
 - A. Suministrar prueba fechada de compra y la historia de mantenimiento del producto.
 - B. Entregar o enviar los compresores de aire portátiles o componentes al Centro de Servicio autorizado Campbell Hausfeld más cercano. Los gastos de flete, de haberlos, deben ser pagados por el comprador.
 - C. Tener cuidado al utilizar el producto, tal como se indica(n) en el (los) manual(es) del propietario.
 9. CUANDO EFECTUARA EL GARANTE LA REPARACION O REEMPLAZO CUBIERTO BAJO ESTA GARANTIA: La reparación o reemplazo dependerá del flujo normal de trabajo del centro de servicio y de la disponibilidad de repuestos.
- Esta garantía limitada es válida sólo en los EE.UU., Canadá y México y otorga derechos legales específicos. Usted también puede tener otros derechos que varían de un Estado a otro. o de un país a otro.