



Single Stage Air Compressor

Operating Instructions and Parts Manual



Models: CE4104 and TQ3104

EN



Please read and save these instructions. Read carefully before attempting to assemble, install, operate or maintain the product described.

Protect yourself and others by observing all safety information. Failure to comply with instructions could result in personal injury and/or property damage! Retain instructions for future reference.

REMINDER: Keep your dated proof of purchase for warranty purposes! Attach it to this manual or file it for safekeeping.

Model #: _____

Serial #: _____

Purchase Date: _____

For parts, product & service information
visit www.campbellhausfeld.com

Campbell Hausfeld
100 Production Drive
Harrison, Ohio 45030

**REGISTER YOUR PRODUCT ONLINE NOW! www.campbellhausfeld.com
READ AND FOLLOW ALL INSTRUCTIONS • SAVE THESE INSTRUCTIONS • DO NOT DISCARD**

BEFORE YOU BEGIN

Introduction

Air compressor units are intended to provide compressed air to power pneumatic tools, operate spray guns and supply air for pneumatic valves and actuators. The pumps supplied with these units have oil lubricated bearings. A small amount of oil carryover is present in the compressed air stream. Applications requiring air free of oil vapor should have the appropriate filters installed. The air compressor units are to be mounted per the instructions provided on a solid floor. Any other use of these units will void the warranty and the manufacturer will not be responsible for problems or damages resulting from such misuse.

QUICK REFERENCE

Recommended Oil (2 Options)

Single viscosity SAE 30 ISO100 nondetergent compressor oil. Part number ST126700AV.

10W30 synthetic oil such as Mobil 1®.

Oil Capacity

Approximately 40 oz.

UNPACKING

CAUTION

Do not lift or move unit without appropriately rated equipment. Be sure the unit is securely attached to lifting device used. Do not lift unit by holding onto tubes or coolers. Do not use unit to lift other attached equipment.

After unpacking the unit, inspect carefully for any damage that may have occurred during transit. Check for loose, missing or damaged parts. Check to be sure all supplied accessories are enclosed with the unit. In case of questions, damaged or missing parts, please visit www.campbellhausfeld.com for customer assistance.

WARNING

Do not operate unit if damaged during shipping, handling or use. Damage may result in bursting and cause injury or property damage.

Required Items - Not Included

- Oil

GENERAL SAFETY INSTRUCTIONS

Safety Guidelines

This manual contains information that is very important to know and understand. This information is provided for SAFETY and to PREVENT EQUIPMENT PROBLEMS. To help recognize this information, observe the following symbols.



DANGER Danger indicates an imminently hazardous situation which, if not avoided, WILL result in death or serious injury.



WARNING Warning indicates a potentially hazardous situation which, if not avoided, COULD result in death or serious injury.



CAUTION Caution indicates a potentially hazardous situation which, if not avoided, MAY result in minor or moderate injury.



NOTICE Notice indicates important information, that if not followed, may cause damage to equipment.

IMPORTANT: Information that requires special attention.

Safety Symbols

The following Safety Symbols appear throughout this manual to alert you to important safety hazards and precautions.



Wear Eye and Mask Protection



Read Manual First



Risk of Fire



Risk of Moving Parts



Risk of Hot Parts



Risk of Explosion



Risk of Fumes



Risk of Pressure



Risk of Shock

California Proposition 65



WARNING This product or its power cord may contain chemicals known to the State of California to cause cancer and birth defects or other reproductive harm. Wash hands after handling.



WARNING You can create dust when you cut, sand, drill or grind materials such as wood, paint, metal, concrete, cement, or other masonry. This dust often contains chemicals known to cause cancer, birth defects, or other reproductive harm. Wear protective gear.

Important Safety Information

Please read and save these instructions. Read carefully before attempting to assemble, install, operate or maintain the product described. Protect yourself and others by observing all safety information. Failure to comply with instructions could result in personal injury and/or property damage! Retain instructions for future reference.

This manual contains important safety, operational and maintenance information. If you have any questions, please visit www.campbellhausfeld.com for customer assistance.

Since the air compressor and other components (material pump, spray guns, filters, lubricators, hoses, etc.) used make up a high pressure pumping system, the following safety precautions must be observed at all times:

Important Safety Information (Continued)

⚠ DANGER

BREATHABLE AIR WARNING

This compressor/pump is not equipped and should not be used "as is" to supply breathing quality air. For any application of air for human consumption, the air compressor/pump will need to be fitted with suitable in-line safety and alarm equipment. This additional equipment is necessary to properly filter and purify the air to meet minimal specifications for Grade D breathing as described in Compressed Gas Association Commodity Specification G 7.1, OSHA 29 CFR 1910. 134, and/or Canadian Standards Associations (CSA).

DISCLAIMER OF WARRANTIES

In the event the compressor is used for the purpose of breathing air application and proper in-line safety and alarm equipment is not simultaneously used, existing warranties shall be voided, and Campbell Hausfeld disclaims any liability whatsoever for any loss, personal injury or damage.



General Safety

- Read all manuals included with this product carefully. Be thoroughly familiar with the controls and the proper use of the equipment.
- Follow all local electrical and safety codes as well as the United States National Electrical Codes (NEC) and Occupational Safety and Health Act (OSHA).
- Only persons well acquainted with these rules of safe operation should be allowed to use the compressor.
- Keep visitors away and NEVER allow children in the work area.
- Wear safety glasses and use hearing protection when operating the unit.
- Do not stand on or use the unit as a handhold.
- Before each use, inspect compressed air system and electrical components for signs of damage, deterioration, weakness or leakage. Repair or replace defective items before using.
- Check all fasteners at frequent intervals for proper tightness.



⚠ WARNING

Motors, electrical equipment and controls can cause electrical arcs that will ignite a flammable gas or vapor. Never operate or repair in or near a flammable gas or vapor. Never store flammable liquids or gases in the vicinity of the compressor.



⚠ WARNING

Never operate compressor without a beltguard. This unit can start automatically without warning. Personal injury or property damage could occur from contact with moving parts.

- Do not wear loose clothing or jewelry that will get caught in the moving parts of the unit.



⚠ CAUTION

Compressor parts may be hot even if the unit is stopped.

- Keep fingers away from a running compressor; fast moving and hot parts will cause injury and/or burns.
- If the equipment should start to vibrate abnormally, STOP the engine/motor and check immediately for the cause. Vibration is generally an indication of trouble.
- To reduce fire hazard, keep engine/motor exterior free of oil, solvent, or excessive grease.

⚠ WARNING

An ASME code safety relief valve with a setting no higher than the Maximum Allowable Working Pressure (MAWP) of the tank MUST be installed in the air lines or in the tank for this compressor. The ASME safety valve must have sufficient flow and pressure ratings to protect the pressurized components from bursting. The flow rating can be found in the parts manual. The safety valve in the intercooler does not provide system protection.

⚠ WARNING

Maximum operating pressure is 140 psi for single stage compressors. Do not operate with pressure switch or pilot valves set higher than 140 psi (single stage).

- Never attempt to adjust ASME safety valve. Keep safety valve free from paint and other accumulations.

Important Safety Information (Continued)**⚠ WARNING**

Never attempt to repair or modify a tank! Welding, drilling or any other modification will weaken the tank resulting in damage from rupture or explosion. Always replace worn, cracked or damaged tanks.

NOTICE

Drain liquid from tank daily.

- Tanks rust from moisture build-up, which weakens the tank. Make sure to drain tank regularly and inspect periodically for unsafe conditions such as rust formation and corrosion.
- Fast moving air will stir up dust and debris which may be harmful. Release air slowly when draining moisture or depressurizing the compressor system.

Spraying Precautions**⚠ WARNING**

Do not spray flammable materials in vicinity of open flame or near ignition sources including the compressor unit.



- Do not smoke when spraying paint, insecticides, or other flammable substances.
- Use a face mask/respirator when spraying and spray in a well ventilated area to prevent health and fire hazards.
- Do not direct paint or other sprayed material at the compressor. Locate compressor as far away from the spraying area as possible to minimize overspray accumulation on the compressor.
- When spraying or cleaning with solvents or toxic chemicals, follow the instructions provided by the chemical manufacturer.

Save These Instructions**Do Not Discard**

The **DANGER, WARNING, CAUTION, and NOTICE** notifications and instructions in this manual cannot cover all possible conditions and situations that may occur. It must be understood by the operator that caution is a factor which cannot be built into this product, but must be supplied by the operator.

Getting To Know Your Compressor

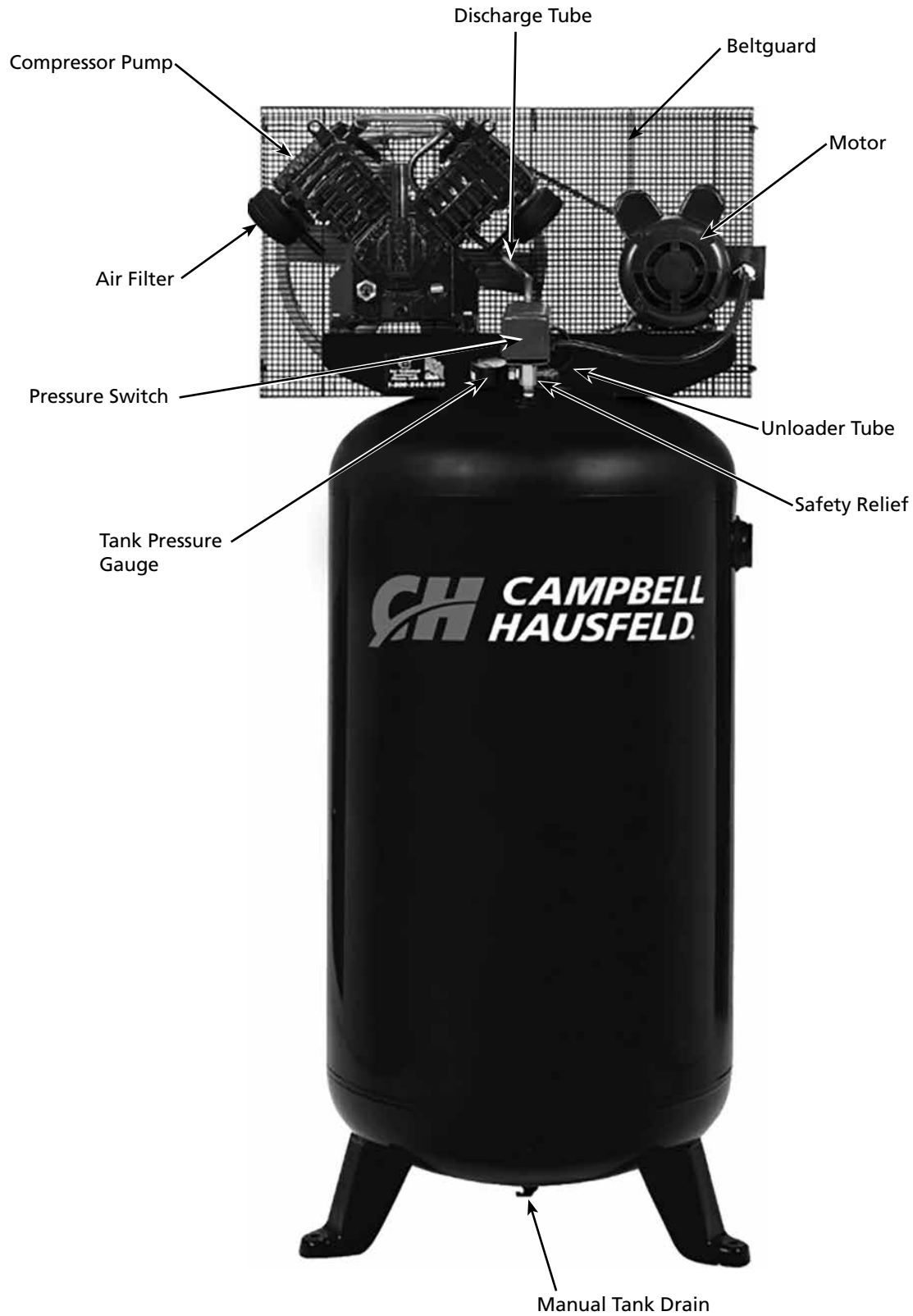


Figure 1 - Vertical Unit Identification

SPECIFICATIONS

CE4104 and TQ3104	
Motor HP	5
Power	208-230V
Phase	1
Displacement CFM	26.24
Air Delivery CFM @ 90 PSI	17.3
Air Delivery CFM @ 140 PSI	14.2
Max PSI	140
Pump RPM	950
Tank Capacity	80 gallons
Unit Weight	410 lbs
Amp Draw	21.0
Max Duty Cycle	80/20
Tank Outlet	3/4 inch (F) NPT

DIMENSIONS

CE4104 and TQ3104	
Length	23 inches
Width	31 inches
Height	71 inches

INSTALLATION INSTRUCTIONS



⚠ WARNING

Disconnect, tag and lock out power source then release all pressure from the system before attempting to install, service, relocate or perform any maintenance.

⚠ CAUTION

Do not lift or move unit without appropriately rated equipment. Be sure the unit is securely attached to lifting device used. Do not lift unit by holding onto tubes or coolers. Do not use unit to lift other attached equipment.

⚠ CAUTION

Never use the wood shipping skids for mounting the compressor.

Picking the Location

Install and operate unit at least 18 inches from any obstructions in a clean, well ventilated area. The surrounding air temperature should not exceed 100° F. This will ensure an unobstructed flow of air to cool compressor and allow adequate space for maintenance.

⚠ CAUTION

Do not locate the compressor air inlet near steam, paint spray, sandblast areas or any other source of contamination.

NOTE: If compressor operates in a hot, moist environment, supply compressor pump with clean, dry outside air. Supply air should be piped in from external sources.

Tank Mounting

The tank should be bolted into a flat, even, concrete floor or on a separate concrete foundation. Vibration isolators should be used between the tank leg and the floor. Part number MP345700AJ isolator pads are recommended for units.

When using isolator pads, do not draw bolts tight. Allow the pads to absorb vibrations. When isolators are used, a flexible hose or coupling should be installed between the tank and service piping.



⚠ WARNING

Failure to properly install the tank can lead to cracks at the welded joints and possible bursting.

Piping

⚠ WARNING

Never use plastic (PVC) pipe for compressed air. Serious injury or death could result.

Any tube, pipe or hose connected to the unit must be able to withstand the temperature generated and retain the pressure. All pressurized components of the air system must have a pressure rating of 200 psi or higher. Incorrect selection and installation of any tube, pipe or hose could result in bursting and injury. Connect piping system to tank using the same size fitting as the discharge port.

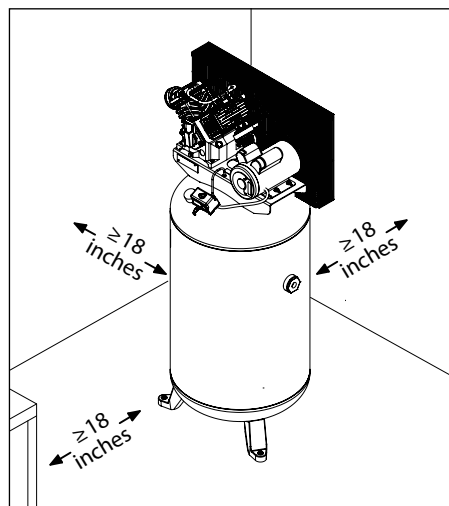


Figure 2 - Location

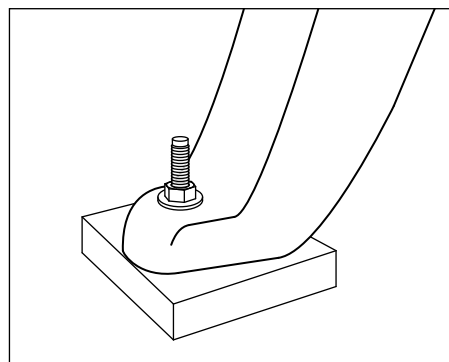


Figure 3 - Isolator Pad

Minimum Pipe Size For Compressed Air Line

CFM	LENGTH OF PIPING SYSTEM			
	25 FEET	50 FEET	100 FEET	250 FEET
10	1/2 inch	1/2 inch	3/4 inch	3/4 inch
20	3/4 inch	3/4 inch	3/4 inch	1 inch
40	3/4 inch	1 inch	1 inch	1 inch
60	3/4 inch	1 inch	1 inch	1 inch
100	1 inch	1 inch	1 inch	1-1/4 inch

INSTALLATION INSTRUCTIONS (CONTINUED)

Installing A Shut-Off Valve

A shut-off valve should be installed on the discharge port of the tank to control the air flow out of the tank. The valve should be located between the tank and the piping system.

⚠ WARNING

Never install a shut-off valve between the compressor pump and the tank. Personal injury and/or equipment damage may occur. Never use reducers in discharge piping.



Figure 4 - Shut-off Valve

When creating a permanently installed system to distribute compressed air, find the total length of the system and select pipe size from the chart on page 7. Bury underground lines below the frost line and avoid pockets where condensation can gather and freeze.

Apply air pressure to the piping installation and make sure all joints are free from leaks BEFORE underground lines are covered. Before putting the compressor into service, find and repair all leaks in the piping, fittings and connections.

Wiring

⚠ WARNING

All wiring and electrical connections must be performed by a qualified electrician familiar with induction motor controls. Installations must be in accordance with local and national codes.

⚠ WARNING

Overheating, short circuiting and fire damage will result from inadequate wiring.

Wiring must be installed in accordance with National Electrical Code and local codes and standards that have been set up covering electrical apparatus and wiring. These should be consulted and local ordinances observed. Be certain that adequate wire sizes are used, and that:

1. Service is of adequate ampere rating.
2. The supply line has the same electrical characteristics (voltage, cycles and phase) as the motor. Refer to motor name plate for electrical ratings and specifications.
3. The line wire is the proper size and that no other equipment is operated from the same line. The chart gives minimum recommended wire sizes for compressor installations.

Minimum Wire Size (Use 75°C Copper Wire)

Make sure voltage is correct with the motor wiring.

NOTE: If using 208 volts single phase, make sure the motor name plate states it is rated for 208 volts single phase. 230 volt single phase motors do not work on 208 volts unless they have the 208 volt rating.

HP	AMPS	SINGLE PHASE
		230V
1-4 HP	UP TO 22.0	10 AWG
5.0		8 AWG

Recommended wire sizes may be larger than the minimum set up by local ordinances. If so, the larger size wire should be used to prevent excessive line voltage drop. The additional wire cost is very small compared with the cost of repairing or replacing a motor electrically "starved" by the use of supply wires which are too small.

INSTALLATION INSTRUCTIONS (CONTINUED)

Grounding



⚠ WARNING

Improperly grounded electrical components are shock hazards. Make sure all the components are properly grounded to prevent death or serious injury.

This product **must** be grounded. Grounding reduces the risk of electrical shock by providing an escape wire for the electric current if short circuit occurs. This product must be installed and operated with a power cord or cable that has a grounding wire.

Breakers and Fuses

The entire electrical system should be checked by a certified electrician. Time delay breakers and fuses are required for this compressor. A tripped breaker or blown fuses may indicate a direct short to ground, high current draw, improper wiring, incorrect fuse or breaker size and/or type. This needs to be evaluated by a certified electrician.

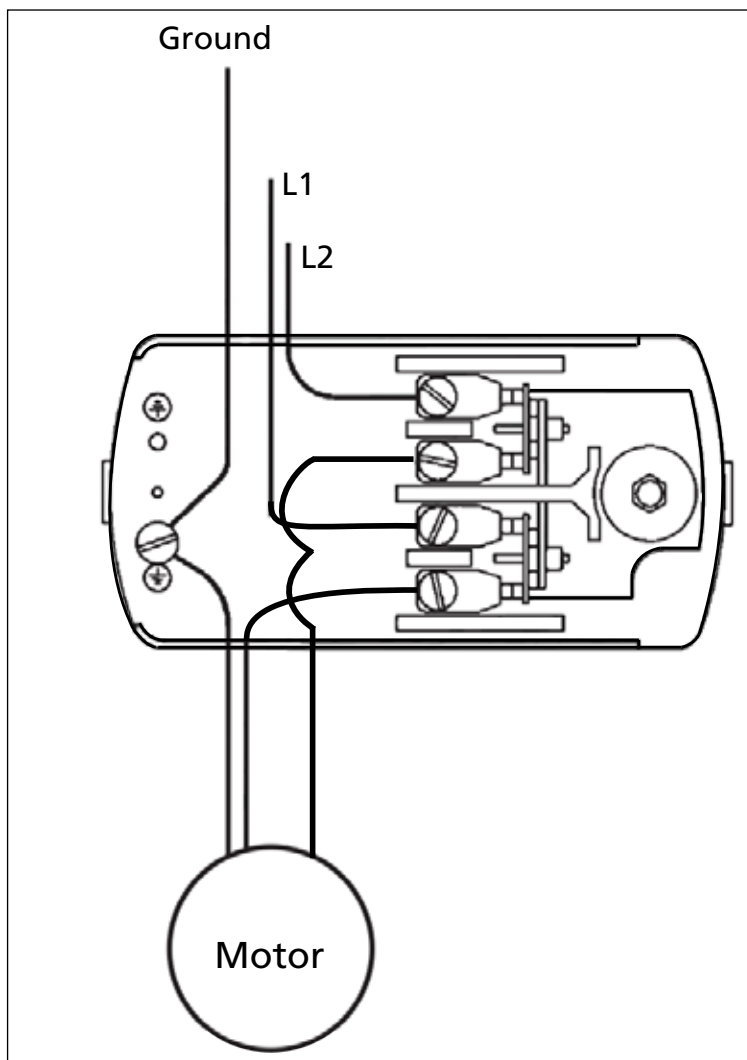


Figure 5 - Wiring Diagram

Installation Instructions (CONTINUED)

Lubrication

CAUTION This unit contains no oil. Before operating compressor, fill to the center of the sight gauge (see Figure 6).

CAUTION Using any other type of oil may shorten pump life and damage valves.

Recommended Oil (2 Options)

Single viscosity SAE 30 ISO100 nondetergent compressor oil. Part number ST126700AV.

10W30 synthetic oil such as Mobil 1®.

Oil Capacity

Approximately 40 oz.

Fill the pump with oil to the center of the sight gauge using oil fill opening (see Figure 6). **Do NOT fill the pump through the breather cap opening as this may cause oil to leak and spray out during operation.**

NOTE: Some residual oil may still be in the pump from factory testing leaving a thin coat on the sight gauge; however, there is not enough oil to operate the unit.

OPERATING INSTRUCTIONS

IMPORTANT: Check motor rotation before operating the compressor.

All lubricated compressor pumps discharge some condensed water and oil with the compressed air. Install appropriate water/oil removal equipment and controls as necessary for the intended application.

NOTICE Failure to install appropriate water/oil removal equipment may result in damage to machinery or workpiece.

Guarding

WARNING The belt guard provided must be installed before operating the unit.

All moving parts must be guarded. All electrical covers must be installed before turning on the power.

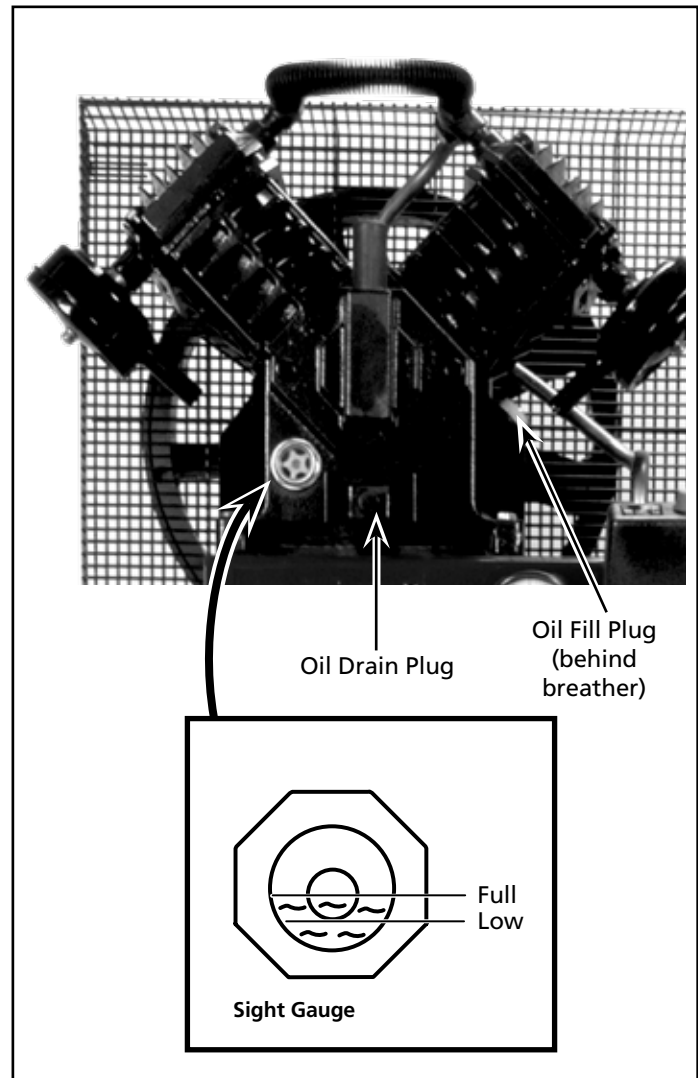


Figure 6 - Lubrication

OPERATING INSTRUCTIONS (CONTINUED)

Recommended Break-In Period

The compressor should be run continuously at 90 PSI or lower for one hour to allow proper seating of the piston rings.

1. Open drain cock completely and run the compressor for 60 minutes.
2. Turn off the compressor and close drain cock. The compressor is now ready for use.

If the compressor is run under humid conditions for short periods of time, the humidity will condense in the crankcase and cause the oil to look creamy. Oil contaminated by condensed water will not provide adequate lubrication and must be changed immediately. Using contaminated oil will damage bearings, pistons, cylinders and rings and is not covered under warranty. To avoid water condensation in the oil, periodically run the compressor with tank pressure near 120 psi for single stage compressors by opening the drain valve or an air valve connected to the tank or hose. Run the pump for an hour at a time at least once a week or more often if the condensation reoccurs.

IMPORTANT: Change oil after first 50 hours of operation and every 200 hours afterwards.

Pressure Switch, Start - Stop

NOTE: Single stage compressors have a maximum operating pressure of 140 psi. Do not alter pressure settings on control components above this limit.

The compressor unit starts and stops based on preset pressure switch settings of 110 psi cut-in and 140 psi cut-out. The pressure switch contains an unloader which is a small valve that vents air to allow the motor to start easily (see Figure 7).

The unloader valve on the pressure switch should hiss for a short period of time when the compressor shuts off. This relieves the head and the exhaust tubing of any pressure and allows the compressor to start under no load. Because compressors have high starting torque the unloader is necessary for proper starting of the compressor.

The check valve is a one way valve that keeps the air in the tank when the unit shuts off. The easiest way to determine if the check valve is working properly is to make sure that the pressure switch unloader quits hissing after the compressor shuts off. The hissing should last for several seconds and then quit.

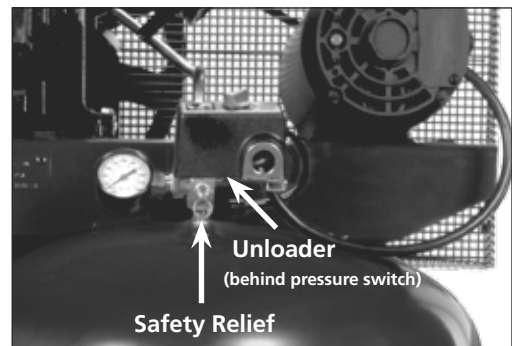


Figure 7 - Pressure Switch

Crankcase Breather

During severe operating conditions or initial start-up, some oil may accumulate at the crankcase breather opening. This is normal and will diminish as the pump accumulates run time and the piston rings become fully seated.

Draining Tank

Condensate must be drained from the tank daily, use manual tank drain (see Figure 8).



Figure 8 - Manual Tank Drain

TROUBLESHOOTING GUIDE

SYMPTOM	POSSIBLE CAUSE(S)	CORRECTIVE ACTION
Excessive noise in operation	<ol style="list-style-type: none"> 1. Loose pulley, flywheel, belt, beltguard, etc 2. Lack of oil in crankcase 3. Compressor floor mounting loose 4. Malfunctioning check valve 5. Unit not on vibration pads 	<ol style="list-style-type: none"> 1. Tighten 2. Check for damage to bearings, replenish oil 3. Shim to level and tighten or place on isolator pads 4. Replace check valve 5. Install vibration pads under compressor feet
Milky oil in oil reservoir	Water condensing in crankcase due to high humidity	Pipe air intake to less humid air source. Run pump continuously for one hour
Excessive oil consumption or oil in air lines	<ol style="list-style-type: none"> 1. Be sure there is a problem 2. Restricted air intake 3. Wrong oil viscosity 4. Worn piston rings 5. Oil leaks 6. Scored cylinder 	<ol style="list-style-type: none"> 1. Diagnose oil contamination problems by testing the discharge air or measuring oil consumption from the crankcase 2. Clean or replace air filter 3. Drain oil. Refill with oil of proper viscosity 4. Replace rings 5. Tighten bolts, replace gaskets or o-rings 6. Replace cylinder
Water in discharge air	<ol style="list-style-type: none"> 1. Excessive water in tank 2. Hot, humid weather 	<ol style="list-style-type: none"> 1. Drain tank 2. Purchase dryer
Air blowing out of inlet	<ol style="list-style-type: none"> 1. Broken first stage inlet valve (two-stage unit) 2. Broken inlet valve (single stage unit) 	<ol style="list-style-type: none"> 1. Replace valve assembly 2. Replace valve assembly
Insufficient pressure	<ol style="list-style-type: none"> 1. Air demand too high 2. Leaks or restrictions in hoses or piping 3. Slipping belts 	<ol style="list-style-type: none"> 1. Limit air usage 2. Check for leaks or restriction in hose or piping 3. Tighten belts
Tank does not hold pressure when compressor is off and shutoff valve is closed	<ol style="list-style-type: none"> 1. Worn check valve 2. Check all connections and fittings for tightness 3. Check tank for cracks or pin holes 	<ol style="list-style-type: none"> 1. Replace check valve 2. Tighten 3. Replace tank. Never repair a damaged tank
Excessive belt wear. (Light dust from start is normal. Worn belts separate at layers)	<ol style="list-style-type: none"> 1. Pulley out of alignment 2. Belts too tight or too loose 	<ol style="list-style-type: none"> 1. Realign motor pulley 2. Adjust tension
Tank pressure builds slowly	<ol style="list-style-type: none"> 1. Dirty air filter 2. Blown cylinder head gasket 3. Worn/broken intake/discharge valves 4. Air leaks 	<ol style="list-style-type: none"> 1. Clean or replace filter element 2. Install new gasket 3. Install new valve plate assembly 4. Tighten joints
Tank pressure builds up quickly on compressor	Excessive water in tank	Drain tank, check speed. See Performance table
ASME safety valve pops open while compressor is running	<ol style="list-style-type: none"> 1. Wrong pressure switch setting 2. Malfunctioning ASME safety valve 3. Pressure switch contacts welded 	<ol style="list-style-type: none"> 1. Adjust to lower pressure 140 psi for single stage unit (See Operation) 2. Replace ASME safety valve 3. Replace pressure switch
Pressure switch continuously blows air out the unloader valve	Malfunctioning check valve	Replace the check valve if the unloader valve bleeds off constantly
Pressure switch unloader valve does not release air when the unit shuts off	Malfunctioning unloader valve on pressure switch	Replace the pressure switch if the unit does not hiss for a short period of time when the unit shuts off

⚠ DANGER Do not disassemble check valve with air in tank

TROUBLESHOOTING GUIDE (CONTINUED)

SYMPTOM	POSSIBLE CAUSE(S)	CORRECTIVE ACTION
Motor hums and runs slowly or not at all	<ol style="list-style-type: none"> 1. Low voltage or no voltage 2. Shorted or open motor winding 3. Malfunctioning check valve or unloader valve 4. Malfunctioning pressure switch - contacts will not close 	<ol style="list-style-type: none"> 1. Check with voltmeter, check line voltage to unit. If overload or reset switch trips repeatedly, find and correct the cause. See next item 2. Replace motor 3. Replace check valve or unloader valve 4. Repair or replace pressure switch
Reset mechanism cuts out repeatedly or fuses blow repeatedly	<ol style="list-style-type: none"> 1. Pressure switch set too high 2. Malfunctioning check valve 3. Incorrect breaker/disconnect size 4. Malfunctioning motor 5. Loose Wiring 	<ol style="list-style-type: none"> 1. Adjust or replace 2. Clean or replace faulty valve 3. Be sure that breakers/disconnect are rated properly 4. Replace motor 5. Check all electrical connections

MAINTENANCE AND INSPECTION INSTRUCTIONS



⚠ WARNING

Disconnect, tag and lock out power source then release all pressure from the system before attempting to install, service, relocate or perform any maintenance.

In order to maintain efficient operation of the compressor system, check the air filter and oil level before each use. The ASME safety valve should also be checked daily (see Figure 9). Pull ring on safety valve and allow the ring to snap back to normal position. This valve automatically releases air if the tank pressure exceeds the preset maximum. If air leaks after the ring has been released, or the valve is stuck and cannot be actuated by the ring, the ASME safety valve must be replaced.

⚠ WARNING

Do not tamper with the ASME safety valve.

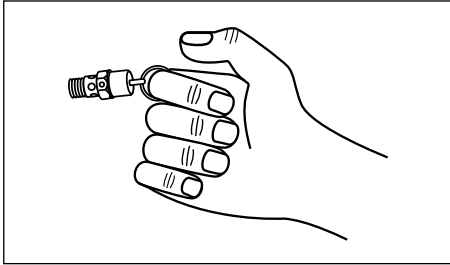


Figure 9 - ASME Safety Valve

Tank

⚠ WARNING

Never attempt to repair or modify a tank! Welding, drilling or any other modification will weaken the tank resulting in damage from rupture or explosion. Always replace worn, cracked or damaged tanks.

NOTICE

Drain liquid from tank daily.



The tank should be carefully inspected at a minimum of once a year. Look for cracks forming near the welds. If a crack is detected, remove pressure from tank immediately and replace.

Compressor Lubrication

See Installation. Add oil as required. The oil should be changed every three months or after every 200 hours of operation; whichever comes first.

If the compressor is run under humid conditions for short periods of time, the humidity will condense in the crankcase and cause the oil to look creamy. Oil contaminated by condensed water will not provide adequate lubrication and must be changed immediately. Using contaminated oil will damage bearings, pistons, cylinders and rings and is not covered under warranty. To avoid water condensation in the oil, periodically run the compressor with tank pressure near 120 psi for single stage compressors by opening the drain cock or an air valve connected to the tank or hose. Run the pump for an hour at a time at least once a week or more often if the condensation reoccurs.

IMPORTANT: Change oil after first 50 hours of operation.

Air Filter

Never run the compressor pump without an intake air filter or with a clogged intake air filter. The air filter element should be checked monthly (see Figure 10). Operating compressor with a dirty filter can cause high oil consumption and increase oil contamination in the discharge air. If the air filter is dirty it must be replaced.

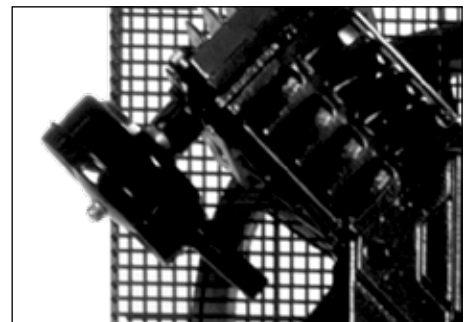


Figure 10 - Air Filter Element

MAINTENANCE AND INSPECTION INSTRUCTIONS (CONTINUED)

Components

Turn off all power and clean the cylinder head, motor, fan blades, air lines, aftercooler and tank on a monthly basis.

Belts

⚠ WARNING Lock out and tag the power then release all pressure from the tank to prevent unexpected movement of the unit.

Check belt tension every 3 months. Adjust belt tension to allow 3/8 inch to 1/2 inch deflection with normal thumb pressure. Also, align belts using a straight edge against the face of the flywheel and touching the rim on both sides of the face. The belts should be parallel to this straight edge (see Figure 11). Dimension A should be the same as B and C to ensure proper alignment of the belts.

Slots in the bed-plate allow for sliding the motor back and forth to adjust belt tension.

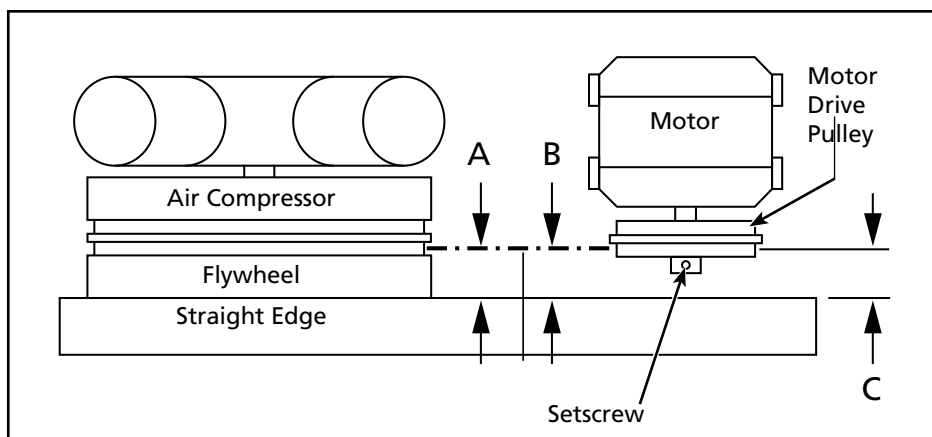


Figure 11 - Top View

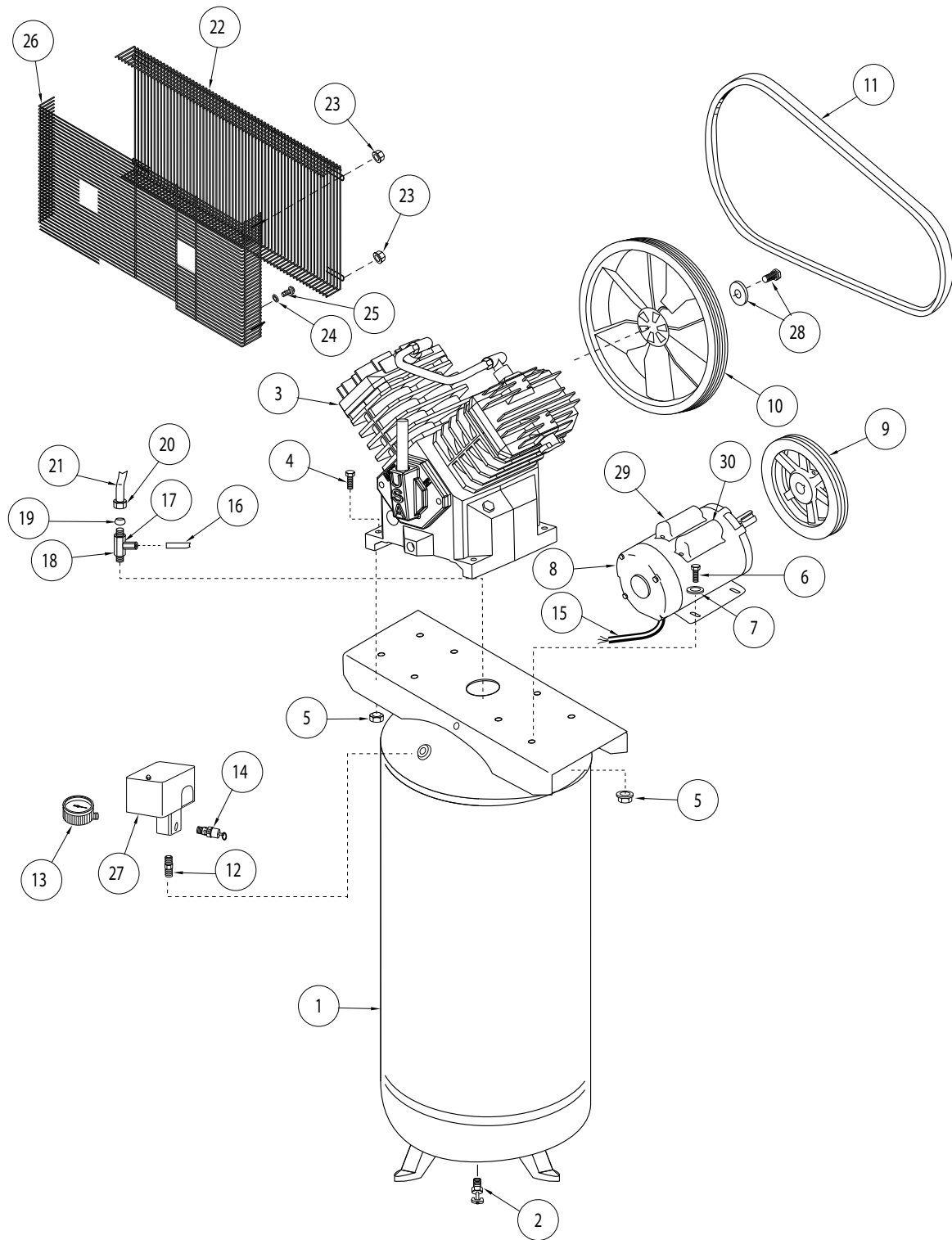
Storage

If compressor is to be stored for a short period of time, make sure that it is stored in a normal position and in a cool protected area.

Maintenance Schedule

OPERATION	DAILY	MONTHLY	3 MONTHS
Check Safety Valve	●		
Drain Tank (see Figure 8)	●		
Check Oil Level	●		
Clean or Change Air Filter		●	
Check Intercooler		●	
Clean Unit Components		●	
Check Belt Tightness			●
Change Oil (see Figure 6)			●

REPAIR PARTS ILLUSTRATION FOR CE4104 AND TQ3104



**For Repair Parts, visit www.campbellhausfeld.com
24 hours a day – 365 days a year**

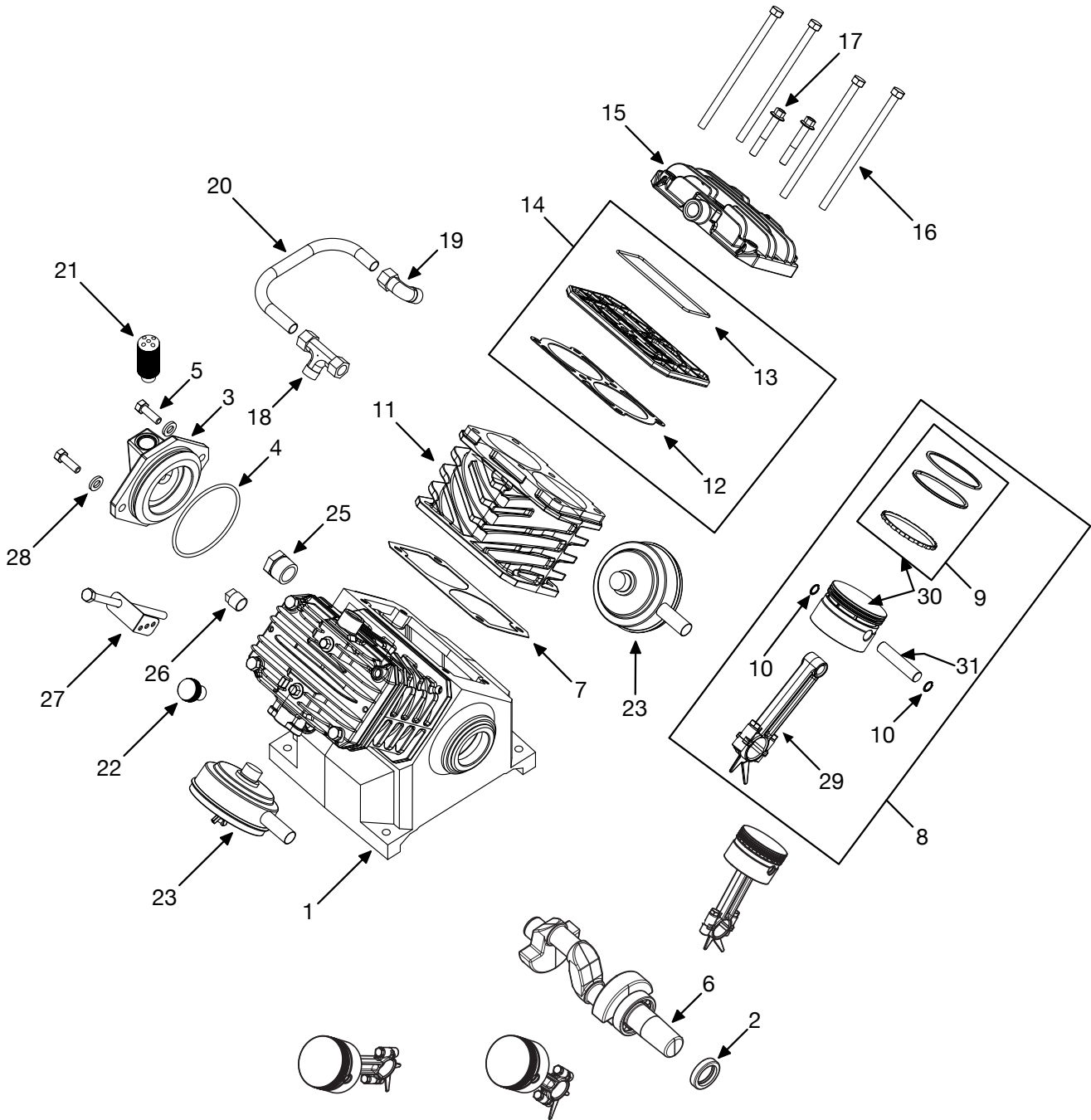
Please provide following information:

- Model number
- Serial number (if any)
- Part description and number as shown in parts list

REPAIR PARTS LIST FOR CE4104 AND TQ3104

Ref No	Description	Part Number	Qty
1	AIR TANK	AG232401CG	1
2	DRAIN VALVE	ST127700AV	1
3	AIR COMPRESSOR PUMP WITH FLYWHEEL	TQ3010	1
4	5/16 INCH - 18 X 1-1/2 INCH HEX HEAD BOLT	†	4
5	5/16 IN - 18 LOCKNUT	†	8
6	5/16 INCH - 18 X 3/4 INCH HEX HEAD BOLT	†	
7	5/16 INCH WASHER	†	4
8	ELECTRIC MOTOR	MC035700AV	1
9	MOTOR PULLEY	PU017001AV	1
10	FLYWHEEL	PU017100AV	1
11	BELT	BT013101AV	1
12	PIPE NIPPLE	HF002401AV ▲	1
13	PRESSURE GAUGE	GA031900AV ▲	1
14	SAFETY VALVE	V-215105AV ▲	1
15	ELECTRIC CORD	EC014800AV	1
16	UNLOADER TUBE	ST117802AV	1
17	STRAIGHT PUSH CONNECT	ST081301AV	1
18	CHECK VALVE	CV223300AV	1
19	1/2 INCH COMPRESSION SLEEVE	ST032900AV	1
20	1/2 INCH COMPRESSION NUT	ST033001AV	1
21	DISCHARGE TUBE	TQ901600AP	1
22	FRONT BELTGUARD	BG307400AV	1
23	10 - 24 HEX-FLANGE NUT	ST116201AV	5
24	5/16 INCH WASHER	ST011200AV	2
25	5/16 INCH SELF-TAPPING SCREW	ST016500AV	4
26	BACK BELTGUARD	BG307500AV	1
27	PRESSURE SWITCH (WITH UNLOADER VALVE)	CW212201AV ▲	1
28	FLYWHEEL FASTNER KIT	TQ901400AV	1
29	CAPACITOR - START	MC507025AV	1
30	CAPACITOR - RUN	MC506912AV	1
	WARNING DECAL (NOT SHOWN)	DK747600AV	1
	PRESSURE SWITCH UNLOADER VALVE (NOT SHOWN)	CW210001AV ▲	1
	PRESSURE SWITCH COVER (NOT SHOWN)	CW217800AV ▲	1
▲	MULTI-PORT PRESSURE SWITCH ASSEMBLY		
--	NOT AVAILABLE		
†	AVAILABLE AT LOCAL HARDWARE STORE		

REPAIR PARTS ILLUSTRATION FOR TQ3010



For Repair Parts, visit www.campbellhausfeld.com

24 hours a day – 365 days a year

Please provide following information:

- Model number
- Serial number (if any)
- Part description and number as shown in parts list

REPAIR PARTS LIST FOR TQ3010

Ref. No.	Description	Part Number:	Qty.
1	CRANKCASE	TQ010001AV	1
2	OIL SEAL	ST120000AV	1
3	BEARING CAP	TQ010201AV	1
4	O-RING	●	1
5	HEX HEAD CAP SCREW M8 X 1-1/4 INCH X 25 MM	†	2
6	CRANKSHAFT AND BEARING ASSEMBLY	TQ900201AJ	1
7	CRANKCASE GASKET	●	2
8	CONNECTING ROD ASSEMBLY	■	4
9	PISTON RING SETS (TWO SETS)	VT911200AV ■	2
10	INTERNAL RETAINING RING	■	8
11	CYLINDER	VT040915AV	2
12	CYLINDER GASKET	●	2
13	MOLDED O-RING	●	2
14	VALVE PLATE KIT	VT470800AJ	2
15	CYLINDER HEAD	▲	2
16	HEX HEAD CAPSCREW M8 X 150 MM	▲	8
17	FLANGE HEAD SCREW	▲	4
18	EXHAUST TEE FITTING	TQ901100AV	1
19	EXHAUST ELBOW FITTING	TQ901200AV	1
20	EXHAUST TUBE	TQ901300AV	1
21	BREATHER	VH901100AV	1
22	OIL FILL PLUG	VH900800AV	1
23	AIR FILTER WITH ELEMENT	VH901700AV	2
24 ▼	AIR FILTER ELEMENT ONLY	VH901800AV	2
25	SIGHT GLASS	VH901000AV	1
26	PIPE PLUG 1/4 INCH NPT	ST072915AV	1
27	BELT GUARD BRACKET	TQ012000AV	1
28	BRASS WASHER	ST070925AV	2
29	CONNECTING ROD	TQ010901AJ	4
30	PISTON WITH RINGS KIT	TQ901700AV	4
31	WRIST PIN KIT (INCLUDES #10(2))	TQ901800AV	4
REPLACEMENT PARTS KITS			
▲	CYLINDER HEAD AND FASTENERS KIT	TQ900800AJ	
■	CONNECTING ROD / PISTON RING ASSEMBLY KIT	TQ901500AV	
●	GASKET KIT	TQ901001AJ	
▼	NOT SHOWN		
†	STANDARD HARDWARE ITEM		



Reminder: *Keep your dated proof of purchase for warranty purposes! Attach it to this manual or file it for safekeeping.*

LIMITED WARRANTY

1. **DURATION:** The compressor pump and air receiver is warranted for one year from the date of purchase by the original purchaser. The balance of the compressor package is warranted for one year from the date of purchase by the original purchaser.
2. **WHO GIVES THIS WARRANTY (WARRANTOR):** Campbell Hausfeld a Marmon/Berkshire Hathaway Company, 100 Production Drive, Harrison, Ohio, 45030. Visit www.campbellhausfeld.com
3. **WHO RECEIVES THIS WARRANTY (PURCHASER):** The original purchaser (other than for purposes of resale) of the Campbell Hausfeld air compressor.
4. **WHAT PRODUCTS ARE COVERED BY THIS WARRANTY:** Campbell Hausfeld CE4104 and TQ3104 air compressors.
5. **WHAT IS COVERED UNDER THIS WARRANTY:** Parts and Labor to remedy defects in material and/or workmanship with the exceptions noted below.
6. **WHAT IS NOT COVERED UNDER THIS WARRANTY:**
 - A. Implied warranties, including those of merchantability and FITNESS FOR A PARTICULAR PURPOSE ARE LIMITED FROM THE DATE OF ORIGINAL PURCHASE AS STATED IN THE DURATION. Some States do not allow limitations on how long an implied warranty lasts, so the above limitations may not apply to you.
 - B. ANY INCIDENTAL, INDIRECT, OR CONSEQUENTIAL LOSS, DAMAGE, OR EXPENSE THAT MAY RESULT FROM ANY DEFECT, FAILURE, OR MALFUNCTION OF THE CAMPBELL HAUSFELD PRODUCT. Some States do not allow the exclusion or limitations of incidental or consequential damages, so the above limitation or exclusion may not apply to you.
 - C. Any failure due to:
 1. Accident or purchaser's abuse
 2. Improper installation
 3. Equipment that has not been operated or maintained in accordance with Campbell Hausfeld's instructions as detailed in the operating manual provided with the compressor.
 4. Equipment that has been repaired or modified without authorization from Campbell Hausfeld.
 - D. Pre-delivery service, i.e. assembly, oil or lubricants, and adjustment.
 - E. The effects of normal wear and tear.
 - F. Gasoline engines and components are expressly excluded from coverage under this limited warranty. The Purchaser must comply with the warranty given by the engine manufacturer which is supplied with the product.
 - G. Equipment that has been damaged in transit.
7. **RESPONSIBILITIES OF WARRANTOR UNDER THIS WARRANTY:** Repair or replace, at Warrantor's option, compressor or component which is defective, has malfunctioned and/or failed to conform within duration of the warranty period. Warranted repairs will be made at the Purchaser's location.
8. **RESPONSIBILITIES OF PURCHASER UNDER THIS WARRANTY:**
 - A. Provide dated proof of purchase and maintenance records.
 - B. Use reasonable care in the operation and maintenance of the products as described in the owner's manual(s).
 - C. Repairs requiring overtime, weekend rates, or anything beyond the standard manufacturer warranty repair labor reimbursement rate.
 - D. Time required for any security checks, safety training, or similar for service personnel to gain access to facility.
 - E. Location of unit must have adequate clearance for service personnel to perform repairs and easily accessible.
9. **WHEN WARRANTOR WILL PERFORM REPAIR OR REPLACEMENT UNDER THIS WARRANTY:** Repair or replacement will be scheduled and serviced according to the normal work flow at the servicing location, and depending on the availability of replacement parts.

This Limited Warranty applies in the U.S., Canada and Mexico only and gives you specific legal rights. You may also have other rights which vary from State to State or country to country.



Compresseur d'air monophasé

Instructions d'Utilisation et Manual de Pièces



Modèles: CE4104 et TQ3104

FR



Lire et conserver ces instructions. Il faut les lire attentivement avant de commencer à assembler, installer, faire fonctionner ou entretenir l'appareil décrit.

Pour se protéger et protéger autrui, observer toutes les informations sur la sécurité. Négliger d'appliquer ces instructions peut causer des blessures et/ou des dommages matériels! Conserver ces instructions pour consultation ultérieure.

RAPPEL : Conservez votre preuve d'achat datée aux fins de garantie! Attachez-le à ce manuel ou classez-le pour le garder en sécurité.

N° de modèle : _____

N° de série : _____

Date d'achat : _____

Pour de l'information sur les pièces,
produits et services veuillez visiter
www.campbellhausfeld.com

Campbell Hausfeld
100 Production Drive
Harrison, Ohio 45030

**ENREGISTREZ VOTRE PRODUIT EN LIGNE MAINTENANT ! www.campbellhausfeld.com
LIRE ET SUIVRE TOUTES LES INSTRUCTIONS • CONSERVER CES INSTRUCTIONS • NE PAS JETER**

AVANT DE COMMENCER

Introduction

Les unités de compresseur d'air ont été conçues pour fournir de l'air comprimé aux outils électriques pneumatiques, faire fonctionner les pistolets de pulvérisation et approvisionner en air les soupapes et actionneurs pneumatiques. Les pompes alimentées par ces unités comportent des roulements lubrifiés à l'huile. Un faible contenu en huile est présent dans le flux d'air comprimé. Les applications nécessitant de l'air sans vapeurs d'huile devraient disposer de filtres adéquats déjà installés. Les unités de compresseur d'air doivent être installées selon les instructions fournies sur un plancher solide. Toute autre utilisation de ces unités annulera la garantie et le fabricant ne sera pas tenu responsable des problèmes ou dommages résultant de cette mauvaise utilisation.

RÉFÉRENCE RAPIDE

Recommended Oil (2 Options)

Huile de compresseur sans détergent à viscosité simple, SAE 30 ISO. N° de pièce ST126700AV.

Huile synthétique 10W30 telle que Mobil 1®.

Capacité D'Huile

Environ 1,18 L.

DÉBALLAGE

⚠ ATTENTION

Ne pas soulever ni déplacer le modèle sans équipement convenable et s'assurer que le modèle soit bien fixé à l'appareil de levage. Ne pas soulever le modèle avec les tuyaux ou les refroidisseurs. Ne pas utiliser le modèle pour soulever d'autre équipement qui est attaché au compresseur.

Dès que l'appareil est déballé, l'inspecter attentivement pour tout signe de dommages en transit. Vérifier s'il y a des pièces desserrées, manquantes ou endommagées. Vérifier pour s'assurer que tous les accessoires fournis sont inclus avec l'appareil. Pour toutes questions, pièces endommagées ou manquantes, please visit www.campbellhausfeld.com for customer assistance.

⚠ AVERTISSEMENT

Ne pas utiliser l'appareil s'il est endommagé pendant le transport, la manutention ou l'utilisation. Des dommages peuvent entraîner un éclatement et provoquer des blessures ou des dommages à la propriété.

Autres articles non inclus

- Huile

INSTRUCTIONS GÉNÉRALES DE SÉCURITÉ

Directives de Sécurité

Ce guide contient de l'information très importante que vous devez savoir et comprendre. Cette information est fournie à des fins de SÉCURITÉ et dans le but d'ÉVITER DES PROBLÈMES AVEC L'ÉQUIPEMENT. Pour faciliter la reconnaissance de cette information, prenez compte des symboles suivants.

⚠ DANGER	<i>Danger indique une situation hasardeuse imminente qui RÉSULTERA en perte de vie ou blessures graves.</i>
⚠ AVERTISSEMENT	<i>Avvertissement indique une situation hasardeuse potentielle qui PEUT résulter en perte de vie ou blessures graves.</i>
⚠ ATTENTION	<i>Attention indique une situation hasardeuse potentielle qui PEUT résulter en blessures.</i>
AVIS	<i>Avis indique de l'information importante pour éviter le dommage de l'équipement.</i>

REMARQUE : Remarque indique : des renseignements additionnels concernant le produit ou son utilisation.

Symboles De Sécurité

Les symboles de sécurité suivants apparaissent dans l'ensemble de ce manuel pour vous aviser des dangers et précautions importants de sécurité.



Porter une protection oculaire et un masque



Lire le manuel d'abord



Risque d'incendie



Risque de pièces mobiles



Risque de pièces chaudes



Risque d'explosion



Risques de fumées



Risque de pression



Risque de choc

Proposition 65 de Californie

⚠ AVERTISSEMENT *Ce produit, utilisé pour la soudure, produit des vapeurs ou gaz qui contiennent des produits chimiques prouvés par l'État de Californie de provoquer des défauts de naissance (ou autre tort aux organes de la reproduction), et en quelques circonstances, le cancer. (le code 'California Health & Safety Code Section 25249.5 et seq'.).*



⚠ AVERTISSEMENT *Ce produit et son cordon contient du plomb, un produit chimique qui de l'avis de l'État de Californie peut causer le cancer et des anomalies congénitales ou d'autres problèmes pour la reproduction. Se laver les mains après toute manipulation.*

Consignes importantes de sécurité

Veillez lire et conserver ces instructions. Lisez attentivement avant d'essayer d'assembler, d'installer, de faire fonctionner ou de réparer le produit décrit. Protégez-vous et les autres en considérant toutes les informations de sécurité. Le non-respect des instructions pourrait entraîner des blessures corporelles et/ou des dommages matériels! Conservez toutes les instructions pour vous y référer ultérieurement.

Ce manuel contient des informations importantes sur la sécurité opérationnel et entretien. Si vous avez des questions, veuillez visiter www.campbellhausfeld.com pour l'assistance à la clientèle.

Puisque le compresseur d'air et les autres composants (article pompe, pistolet de pulvérisation, filtres, lubrifiants, tuyaux, etc.) utilisés font partie d'un système de pompage à haute pression, les précautions de sécurité suivantes doivent être prises en considération à tout moment :

Consignes importantes de sécurité (Suite)

⚠ DANGER

AVERTISSEMENT D'AIR RESPIRABLE

Ce compresseur/pompe n'est pas équipé pour et ne devrait pas être utilisé "comme soi" pour fournir de l'air respirable. Pour les applications d'air pour la consommation humaine, il est nécessaire d'équiper le compresseur d'air/pompe avec de l'équipement de sécurité en canalisation et d'alarme. Cet équipement additionnel est nécessaire pour filtrer et purifier l'air afin d'atteindre les spécifications minimales pour la respiration Grade D décrite dans le Compressed Gas Association Commodity Specification G 7.1, OSHA 29 CFR 1910. 134, and/or Canadian Standards Associations (CSA).

DÉNÉGATION DES GARANTIES

Si le compresseur est utilisé pour les applications d'air respirable et l'équipement de sécurité en canalisation et d'alarme n'est pas utilisé simultanément, les garanties en existence seront annulées, et Campbell Hausfeld dénie toute responsabilité pour n'importe quelle perte, blessure ou dommage.

Généralités sur la Sécurité



- Lire attentivement tous manuels compris avec ce produit. Bien se familiariser avec les commandes et l'utilisation correcte de l'équipement.
- Suivre tous les codes d'électricité et de sécurité locaux ainsi que: National Electrical Codes (NEC) et Occupational Safety and Health Act (OSHA) des É.-U.
- Seules les personnes bien familiarisées avec ces règles d'utilisation doivent être autorisées à se servir du compresseur.
- Garder les visiteurs à l'écart de/et NE JAMAIS permettre les enfants dans l'endroit de travail.
- Utiliser des lunettes de sécurité et la protection auditive pendant l'utilisation du modèle.
- Ne pas se tenir debout sur/ou utiliser le modèle comme une prise.
- Inspecter le système d'air comprimé et pièces détachées électriques pour toute indication de dommage, détérioration, faiblesse ou fuites avant chaque utilisation. Réparer ou remplacer toutes pièces défectueuses avant l'utilisation.
- Inspecter le degré de serrage de toutes attaches par intervalles régulières.



⚠ AVERTISSEMENT

Les moteurs, l'équipement et les commandes électriques peuvent causer des arcs électriques qui peuvent allumer un gaz ou une vapeur inflammable. Ne jamais utiliser ou réparer le modèle près d'un gaz ou d'une vapeur inflammable. Ne jamais entreposer les liquides ou gaz inflammables près du compresseur.

⚠ AVERTISSEMENT

Ne jamais utiliser un compresseur sans carter de courroie. Ce modèle peut se démarrer sans avis. Le contact avec les pièces mobiles peut causer des blessures personnelles ou dégâts matériels.



- Ne pas porter les vêtements flottants ni la bijouterie qui peuvent se prendre dans les pièces mobiles du modèle.

⚠ ATTENTION

Les pièces du compresseur peuvent être chaudes même si le modèle n'est pas en marche.



- Garder les doigts à l'écart d'un compresseur qui est en marche; les pièces mobiles et chaudes peuvent causer des blessures et/ou brûlures.
- Si le compresseur vibre anormalement, ARRÊTER le moteur et l'inspecter immédiatement. La vibration est généralement une indication d'un problème.
- Pour réduire le risque d'incendie, garder l'extérieur du moteur libre d'huile, de solvant ou de graisse excessive.

⚠ AVERTISSEMENT

Pour ce compresseur, c'est indispensable d'installer une soupape de décharge selon les normes de sûreté ASME avec un réglage non supérieur à la Pression Maximale de Service Permise (MAWP) sur la tuyauterie ou le réservoir. La soupape de sûreté ASME doit avoir une classification de débit et de pression suffisante afin de protéger les pièces détachées sous pression contre l'éclatement. La soupape de sûreté dans le refroidisseur ne fournit pas de protection pour le système.

Consignes importantes de sécurité (Suite)

⚠ AVERTISSEMENT

La pression de fonctionnement maximale est de 965 kPa pour les compresseurs monophasés. Ne pas faire fonctionner avec un manostat ou des vannes pilotes configurés sur une valeur supérieure à 965 kPa (monophasé).

- Ne jamais essayer d'ajuster la soupape de sûreté ASME. Garder la soupape de sûreté libre de peinture et autres accumulations.

**⚠ AVERTISSEMENT**

Ne jamais essayer de réparer ni de modifier un réservoir! Le soudage, le perçage ou autre modifications peuvent affaiblir le réservoir et peut résulter en dommage de rupture ou d'explosion. Toujours remplacer un réservoir usé, fendu ou endommagé.

AVIS

Purger le liquide du réservoir quotidiennement.

- L'accumulation d'humidité cause la rouille qui peut affaiblir le réservoir. Purger le réservoir quotidiennement et l'inspecter périodiquement pour la rouille et la corrosion ou autre dommage.
- L'air mouvante peut agiter la poussière et le débris qui peut être dangereux. Lâcher l'air lentement en purgeant l'humidité ou pendant la dépressurisation du système de compresseur.

Précautions de Pulvérisation

⚠ AVERTISSEMENT

Ne pas pulvériser les matériaux inflammables dans un endroit de flamme ouverte ni près d'une source d'ignition y compris le compresseur.



- Ne pas fumer pendant la pulvérisation de la peinture, d'insecticides ou autres matières inflammables.
- Utiliser un masque/respirateur pendant la pulvérisation et pulvériser dans un endroit bien aéré pour éviter le risque de blessures et d'incendie.
- Ne pas diriger la peinture ou autre matériel pulvérisé vers le compresseur. Situer le compresseur aussi loin que possible de l'endroit de pulvérisation pour réduire l'accumulation de surpulvérisation sur le compresseur.
- Suivre les instructions du fabricant pendant la pulvérisation ou le nettoyage avec des solvants ou produits chimiques toxiques.

Conserver ces instructions

Ne les jetez pas

Les symboles **DANGER, AVERTISSEMENT, ATTENTION ET AVIS** ainsi que les instructions de ce manuel ne peuvent pas couvrir toutes les conditions et situations qui pourraient se produire. L'opérateur doit comprendre que les précautions sont des facteurs qui ne peuvent pas être inclus dans ce produit, mais doivent être fournis par l'opérateur.

Apprendre à Connaître Votre Compresseur

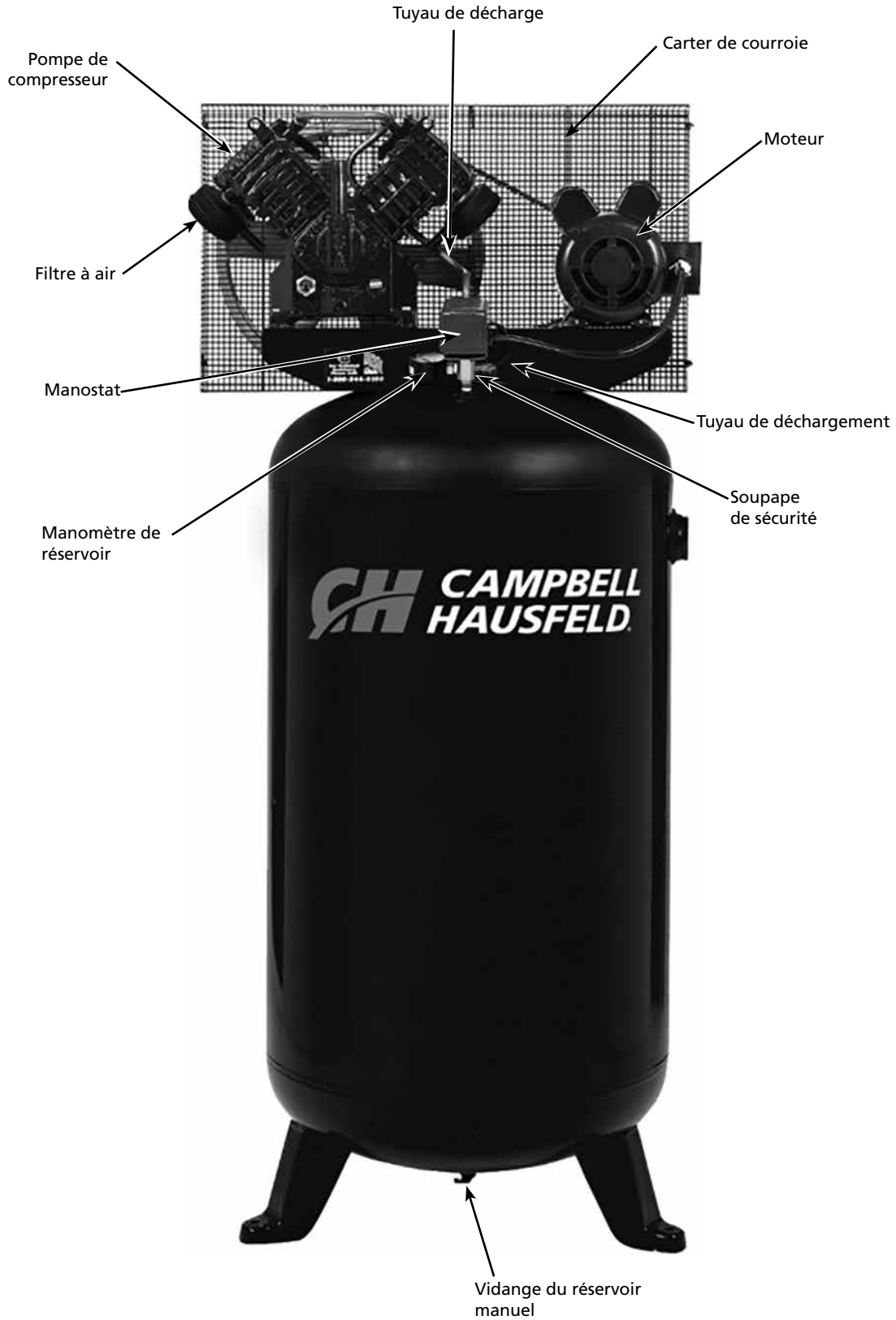


Figure 1 – Identification de l'unité verticale

CARACTÉRISTIQUES TECHNIQUES

CE4104 et TQ3104	
Moteur HP	5
Alimentation	208-230V
Étape	1
Déplacement CFM	658.1 l/min
Débit d'air CFM à 621 kPa	489.9 l/min
Débit d'air CFM à 965 kPa	402.1 l/min
Bars max.	965 kPa
Pompe RPM	950
Capacité du réservoir	302.80 L
Poids de l'unité	185.98 kg
Ampérage	21.0
Cycle d'exploitation max.	80/20
Sortie du réservoir	19.1 mm (3/4 po) (F) NPT

DIMENSIONS

CE4104 et TQ3104	
Longueur	58.42 cm
Largeur	78.74 cm
Hauteur	180.34 cm

INSTRUCTIONS D'INSTALLATION



⚠ AVERTISSEMENT

Débrancher, étiquetter et verrouiller la source de puissance électrique et dissiper toute la pression du système avant d'essayer d'installer, réparer, déplacer ou de procéder à l'entretien du modèle.

⚠ ATTENTION

Ne pas soulever ni déplacer le modèle sans équipement convenable et s'assurer que le modèle soit bien fixé à l'appareil de lavage. Ne pas soulever le modèle avec les tuyaux ou les refroidisseurs. Ne pas utiliser le modèle pour soulever d'autre équipement qui est attaché au compresseur.

⚠ ATTENTION

Ne jamais utiliser les palettes d'expédition pour monter le compresseur.

Choisir l'emplacement

Installer et utiliser le modèle au moins de 46 cm (18 po) d'une obstruction et dans un endroit propre et bien ventilé. La température de l'air dans l'endroit ne devrait pas dépasser 38,08° C. Ceci assure un débit d'air sans obstruction pour refroidir le compresseur et permet de l'espace pour l'entretien.

⚠ ATTENTION

Ne pas situer la prise d'air du compresseur près de vapeurs, pulvérisation de peinture, endroits de décapage au sable ou n'importe quelle autre source de contamination.

REMARQUE: Si le compresseur est utilisé dans un endroit chaud et humide, il est nécessaire de fournir le compresseur avec de l'air extérieur propre et sec. Cet air devrait être canalisé d'une source externe.

Montage du réservoir

Le réservoir devrait être boulonné dans un plancher en béton plat et égal ou sur une fondation en béton séparée. Utiliser des tampons isolateurs entre la jambe du réservoir et le plancher. Les blocs d'isolation du numéro de pièce MP345700AJ sont recommandés pour les unités.

Ne pas trop serrer les boulons en utilisant les tampons isolateurs afin de permettre que les tampons absorbent les vibrations. Un tuyau ou raccord flexible doit être installé entre le réservoir et la tuyauterie de service.

⚠ AVERTISSEMENT

Manque d'installer le réservoir correctement peut causer des fentes aux joints soudés et la possibilité d'éclatement.

Tuyauterie

⚠ AVERTISSEMENT

Ne jamais utiliser les tuyaux en plastique (CPV) pour l'air comprimé. Ceci peut résulter en blessures graves ou perte de vie.

N'importe quel tube, tuyau ou tuyau flexible branché au modèle doit pouvoir résister la température qui est produit et doit conserver la pression. Tous les composants sous pression du système d'air doivent avoir une valeur nominale de pression de 1 379 kPa ou plus. La sélection ou l'installation incorrecte de n'importe quel tube, tuyau ou tuyau flexible peut résulter en éclatement et en blessures. Brancher le système de tuyauterie au réservoir en utilisant un raccord de même taille que celui de l'orifice de décharge.

Taille De Tuyau Minimum Pour Canalisation D'air Comprimé

l/min	Longueur Du Système			
	7,62 m	15,24 m	30,48 m	76,2 m
283.2	12,7 mm	12,7 mm	19,1 mm	19,1 mm
566.3	19,1 mm	19,1 mm	19,1 mm	2,54 cm
1132.7	19,1 mm	2,54 cm	2,54 cm	2,54 cm
1699.0	19,1 mm	2,54 cm	2,54 cm	2,54 cm
2831.7	2,54 cm	2,54 cm	2,54 cm	3,18 cm

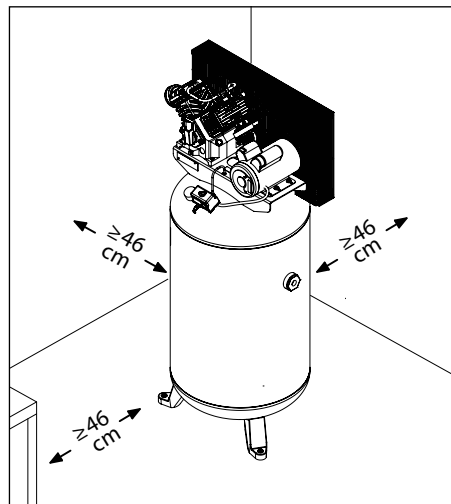


Figure 2 - Emplacement

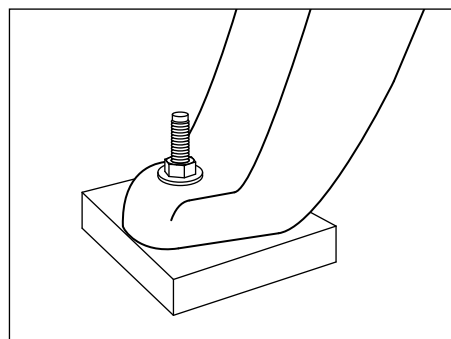


Figure 3 - Coussinet isolant



INSTRUCTIONS D'INSTALLATION (SUITE)

Installation D'une Soupape D'arrêt

Une soupape d'arrêt devrait être installée sur l'orifice de décharge du réservoir pour régler le débit d'air du réservoir. La soupape devrait être située entre le réservoir et le système de tuyauterie.

AVERTISSEMENT *Ne jamais installer une soupape d'arrêt entre la pompe du compresseur et le réservoir. Ceci peut résulter en blessures personnelles et/ou dommage à l'équipement. Ne jamais utiliser un appareil de réduction dans le tuyau flexible de refoulement.*



Figure 4 - Soupape d'arrêt

Pour un système d'installation permanent pour la distribution d'air comprimé, calculer la longueur du système et choisir la taille du tuyau selon le tableau. Enterrer les lignes souterraines sous le niveau de gelée et éviter les poches où la condensation pourrait s'accumuler et geler.

Appliquer la pression d'air à la tuyauterie et assurer que toutes les jointures sont sans fuites AVANT de couvrir les lignes souterraines. Rechercher et réparer toutes les fuites dans les tuyaux et raccords avant d'utiliser le compresseur.

Câblage

AVERTISSEMENT *Tout le câblage et les connexions électriques doivent être exécutés par un électricien qualifié au courant des contrôles à moteurs industriels. L'installation doit conformer aux codes locaux et nationaux.*

AVERTISSEMENT *Un câblage inadéquat mènera à la surchauffe, les court-circuits et les dommages d'incendie.*

L'installation de fils doit conformer aux National Electrical Code et aux codes et règlements locaux concernant les appareils électriques et l'installation de fils. Consulter avec et observer ceux-ci. Utiliser la taille correcte de fil et assurer que:

1. L'ampérage du service soit suffisant.
2. La ligne d'alimentation corresponde au moteur (tension, cycles et phase).
3. La taille du fil de ligne est correcte et qu'il n'y a pas d'autre équipement qui fonctionne sur la même ligne. Le tableau indique la taille minimum de fil pour les installations de compresseurs.

Taille de fil minimum utiliser le fil en cuivre 75°C

S'assurer que la tension est correcte avec le câblage du moteur.

REMARQUE: Si l'on utilise une monophasé de 208 volts, s'assurer que la plaque signalétique du moteur indique une valeur nominale de 208 volts en monophasé. Les moteurs monophasés de 230 volts ne fonctionnent pas à 208 volts à moins que ce ne soit une valeur de 208 volts.

HP	AMPS	MONOPHASÉ
		230V
1-4 HP	JUSQU'À 22,0	10 AWG
5.0		8 AWG

Les tailles de fils recommandées peuvent être plus larges que la configuration minimum des ordonnances locales. Si c'est le cas, utiliser le fil d'une taille plus large pour prévenir toute chute de tension excessive sur la ligne. Le coût supplémentaire du fil est très petit comparativement au coût de réparation ou de remplacement d'un moteur « épuisé » électriquement par l'utilisation de fils d'alimentation trop petits.

INSTRUCTIONS D'INSTALLATION (SUITE)

Mise à la terre



⚠ AVERTISSEMENT

Les composantes électriques qui ne sont pas correctement mise à la terre tiennent le risque de secousse électrique. S'assurer que toutes les pièces soient mise à la terre correctement pour éviter les blessures personnelles ou la perte de vie.

Ce produit **doit** être mise à la terre pour diminuer le risque de secousse électrique en fournissant un fil d'échappement s'il y arrive un court-circuit. Ce produit doit être installé avec et utilisé avec un cordon d'alimentation qui a un fil de terre.

Disjoncteurs et Fusibles

Tout le système électrique doit être vérifié par un électricien agréé. Des fusibles et disjoncteurs à retardement sont nécessaires pour ce compresseur. Un fusible grillé ou un disjoncteur déclenché peut indiquer un court-circuit direct à la terre, un tirage élevé de courant, un mauvais câblage, un fusible ou un disjoncteur de mauvaise taille et/ou type. Ceci doit être évalué par un électricien agréé.

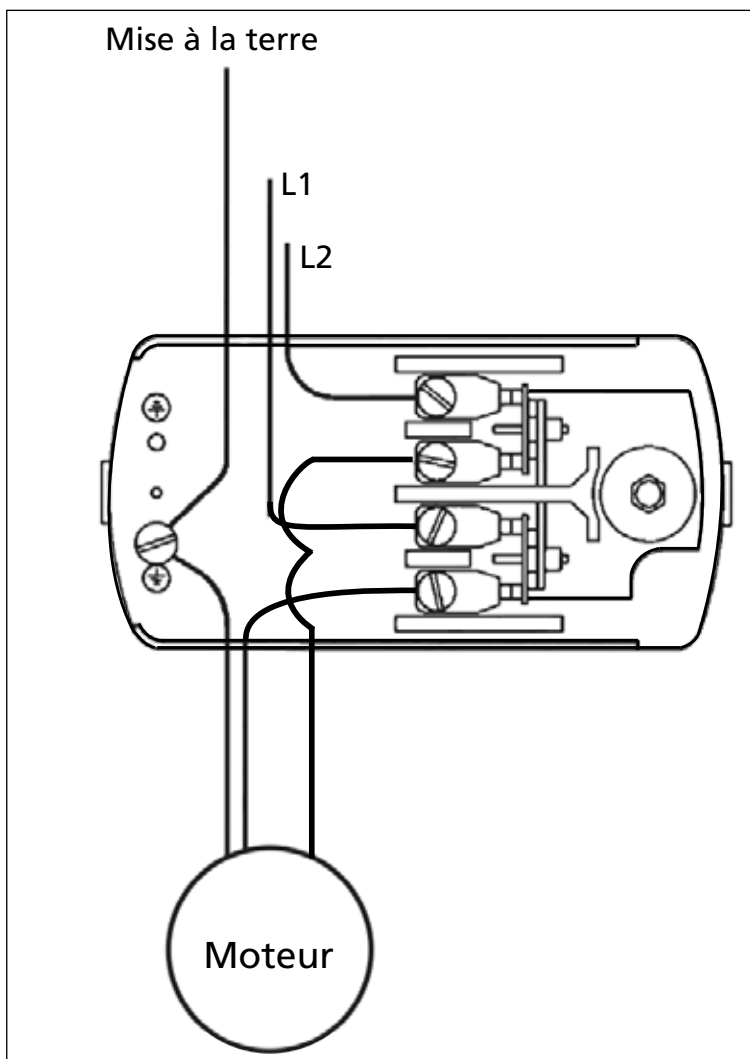


Figure 5 - Schéma de câblage

INSTRUCTIONS D'INSTALLATION

Graissage

⚠ ATTENTION *CE MODÈLE NE CONTIENT PAS D'HUILE. Avant d'utiliser le compresseur. Remplir au centre de la jauge visuelle (voir la figure 6).*

⚠ ATTENTION *L'utilisation d'un autre type d'huile pourrait raccourcir la durée de la pompe et endommager les soupapes.*

Recommended Oil (2 Options)

Huile de compresseur sans détergent à viscosité simple, SAE 30 ISO. N° de pièce ST126700AV.

Huile synthétique 10W30 telle que Mobil 1®.

Capacité D'Huile

Environ 1,18 L.

Remplir la pompe d'huile au centre de la jauge visuelle en utilisant l'ouverture de remplissage d'huile (voir la figure 6). **NE PAS remplir la pompe jusqu'à l'ouverture du bouchon de reniflard, car ceci pourrait mener à une fuite d'huile et une pulvérisation vers l'extérieur durant l'utilisation.**

REMARQUE: Il pourrait y avoir des résidus d'huile dans la pompe des tests en usine laissant une mince couche sur la jauge visuelle, mais il n'y a pas assez d'huile pour faire fonctionner l'unité.

FONCTIONNEMENT

IMPORTANT: Vérifier la rotation du moteur avant d'utiliser le compresseur.

Toutes les pompes de compresseur graissées débitent un peu d'humidité et d'huile avec l'air comprimé. Installer l'équipement pour l'enlèvement d'eau/huile et commandes convenables à l'application.

AVIS *Manque d'installer l'équipement pour l'élevage d'eau/huile peut endommager les machines ou l'objet de travail.*

Carters

⚠ AVERTISSEMENT *Le carter de courroie fournit doit être installé avant l'utilisation du modèle.*

Toutes les pièces mobiles doivent être protégées. Tous les couvercles électriques doivent être installés avant de mettre en circuit.

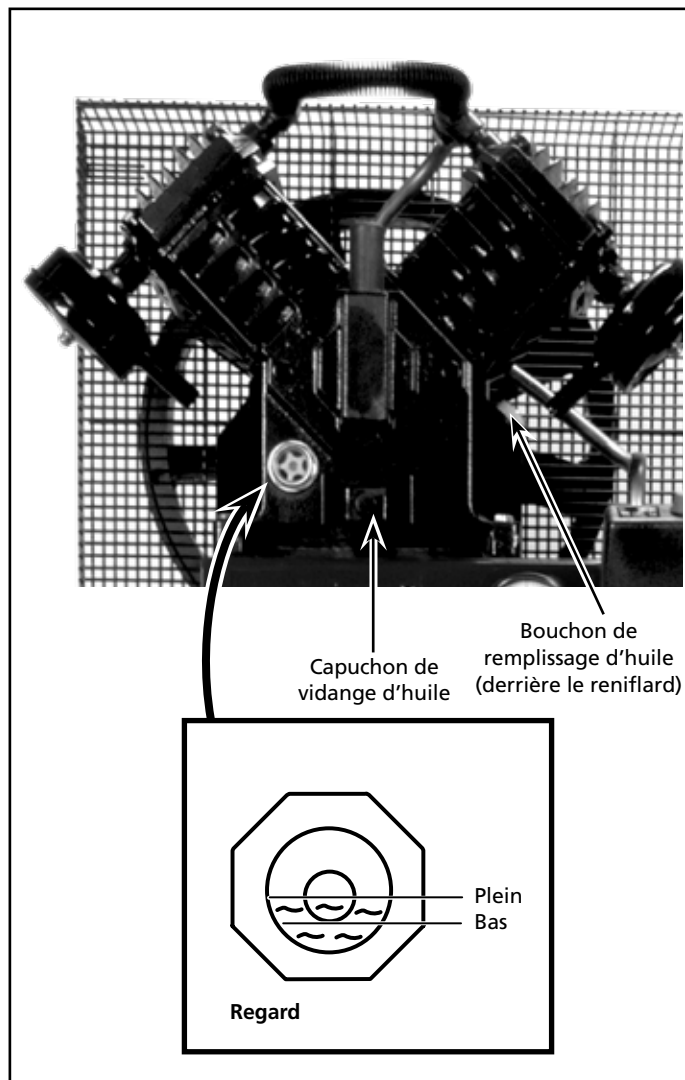


Figure 6 - Graissage

FONCTIONNEMENT (SUITE)

Rodage Recommandé

Le compresseur devrait fonctionner en continu pendant une heure à moins de 621 kPa pour permettre aux bagues de piston d'être dans la bonne position.

1. Ouvrir le robinet de purge et faire fonctionner le compresseur pour 60 minutes.
2. Mettre le compresseur hors circuit et fermer le robinet de purge. Le compresseur est maintenant prêt à utiliser.

Si le compresseur fonctionne dans des conditions humides pendant de courtes périodes, l'humidité se condensera dans le carter et donnera à l'huile une apparence crémeuse. L'huile contaminée par de l'eau condensée n'offrira pas la lubrification nécessaire et devra être changée immédiatement. L'utilisation d'huile contaminée endommagera les roulements, les pistons, les cylindres et les joints et n'est pas couverte par la garantie. Pour éviter la condensation de l'eau dans l'huile, faites périodiquement fonctionner le compresseur avec une pression au réservoir près de 827 kPa pour un compresseur à deux phases ou 120 psi pour un compresseur à phase unique, en ouvrant le robinet de vidange ou un robinet d'admission d'air branché au réservoir ou à un tuyau. Faites fonctionner la pompe pendant une heure à la fois, au moins une fois par semaine ou plus fréquemment si la condensation se produit encore.

IMPORTANT : Changez l'huile après les premières 50 heures d'utilisation ou toutes les 200 heures après.

Manostat Démarrage - Arrêt

REMARQUE: La pression de fonctionnement maximale est de 965 kPa pour les compresseurs monophasés. Ne pas altérer les réglages de pression sur les pièces de commandes afin qu'ils dépassent cette limite.

Le compresseur démarre et s'arrête selon les configurations de pressostat pré-réglées de 758 kPa de fermeture et de 965 kPa de coupure. Le manostat a un appareil de déchargement qui est une soupape qui sert à ventiler l'air et permet le démarrage facile du modèle (Voir la Figure 7).

La soupape de décharge du pressostat devrait siffler pendant un certain temps lorsque le compresseur s'éteint. Ceci dégage la hauteur de charge et le tube d'échappement de toute pression et permet au compresseur de démarrer sans charge. Puisque les compresseurs ont un couple de démarrage élevé, il faut la décharge pour un démarrage approprié du compresseur.

Le clapet de non-retour est un clapet d'une direction qui conserve l'air dans le réservoir lorsque l'appareil est éteint. Le moyen le plus facile pour déterminer si le clapet de non-retour fonctionne correctement est de s'assurer que la décharge de pressostat cesse de siffler après que le compresseur s'éteint. Ce sifflement devrait durer quelques secondes, puis s'arrêter.

Reniflard du Carter

Un peu d'huile peut s'accumuler à l'ouverture du reniflard du carter pendant les conditions de fonctionnement sévères ou pendant le premier démarrage. Ceci est normal et diminuera après le rodage et une fois que les segments de piston soient ajustés.

Vidange du Reservoir

Le condensat doit être vidé du réservoir chaque jour. Pour les modèles de série d'air d'atelier, utiliser un drain de réservoir manuel (voir la figure 8).



Figure 8 - Drain de réservoir manuel

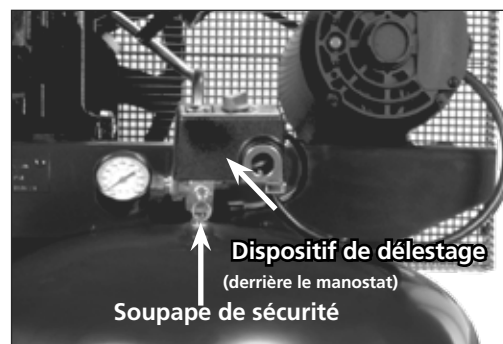


Figure 7 - Pressostat

GUIDE DE DÉPANNAGE

SYMPTÔME	CAUSE(S) POSSIBLE(S)	ACTION CORRECTIVE
Bruit excessif pendant le fonctionnement	<ol style="list-style-type: none"> 1. Poulie, volant, courroie, carter de courroie, etc, dégagés 2. Manque d'huile dans le carter 3. Montage du compresseur dégagé 4. Fonctionnement défectueux du clapet 5. L'appareil n'est pas placé sur des coussinets de vibration 	<ol style="list-style-type: none"> 1. Serrer 2. Inspecter les roulements pour le dommage, remplir l'huile 3. Caler, niveler et serrer ou placer sur des tampons isolateurs 4. Remplacer le clapet 5. Installez des coussinets de vibration sous les pieds du compresseur
Huile laiteux dans le réservoir d'huile	Condensation d'eau dans le carter causé par l'humidité élevée	Canaliser l'air à une source d'air moins humide. Faire fonctionner la pompe continuellement pour une heure
Consommation d'huile excessive ou huile dans les canalisations d'air	<ol style="list-style-type: none"> 1. Vérifier s'il y a un problème 2. Restriction à la prise d'air 3. Viscosité d'huile incorrecte 4. Segments de piston usés 5. Fuites d'huile 6. Cylindre rayé 	<ol style="list-style-type: none"> 1. Diagnostiquer les problèmes de contamination d'huile en vérifiant l'air de débit ou la consommation d'huile du carter 2. Nettoyer ou remplacer le filtre d'air 3. Vidanger l'huile et remplir à nouveau avec de l'huile de viscosité correcte 4. Remplacer les segments de piston 5. Serrer les boulons, remplacer les joints d'étanchéités ou les joints toriques 6. Remplacer le cylindre
De l'eau dans l'air d'évacuation	<ol style="list-style-type: none"> 1. Eau excessive dans le réservoir 2. Temps chaud et humide 	<ol style="list-style-type: none"> 1. Purger le réservoir 2. Acheter un sécheur
Air qui souffle hors de l'orifice d'admission	<ol style="list-style-type: none"> 1. Soupape d'admission de première étage en panne (compresseur à deux étages) 2. Panne de la soupape d'admission (compresseur à une étage) 	<ol style="list-style-type: none"> 1. Remplacer l'assemblage de soupape 2. Remplacer l'assemblage de soupape
Pression insuffisante	<ol style="list-style-type: none"> 1. Demande d'air trop haute 2. Fuites ou restrictions dans tuyaux ou tubes 3. Patinage de courroies 	<ol style="list-style-type: none"> 1. Limiter l'utilisation d'air 2. Vérifier pour les fuites ou restrictions dans les tuyaux ou tubes 3. Serrer les courroies
Le réservoir ne tient pas la pression quand le compresseur est hors circuit et la soupape d'arrêt est fermée	<ol style="list-style-type: none"> 1. Clapet usé 2. Vérifier tous les connexions et les raccords pour le serrage 3. Vérifier le réservoir pour des fentes ou trous d'épingle 	<ol style="list-style-type: none"> 1. Remplacer le clapet 2. Serrer 3. Remplacer le réservoir. Ne jamais réparer un réservoir endommagé
Usure excessive de courroie. (La poussière légère est normale. Les courroies usées se séparent aux couches)	<ol style="list-style-type: none"> 1. Poulie hors d'alignement 2. Courroies trop serrées ou dégagées 	<ol style="list-style-type: none"> 1. Redresser la poulie du moteur 2. Ajuster la tension
La pression du réservoir s'accumule lentement	<ol style="list-style-type: none"> 1. Filtre à air sale 2. Joint de culasse de cylindre crevé 3. Soupapes d'admission/de sortie usées/ cassées 4. Fuites d'air 	<ol style="list-style-type: none"> 1. Nettoyer ou remplacer la cartouche filtrante 2. Installer un nouveau joint 3. Installer un nouveau montage de plaque de soupape 4. Serrer les joints
La pression du réservoir s'accumule rapidement sur le compresseur	Eau excessive dans le réservoir	Purger le réservoir. Vérifier la vitesse. Voir le tableau Rendement
Soupape de sûreté ASME s'ouvre pendant que le compresseur fonctionne	<ol style="list-style-type: none"> 1. Réglage incorrect du manostat 2. Fonctionnement défectueux de la soupape de sûreté ASME 3. Contacts du manostat soudés 	<ol style="list-style-type: none"> 1. Régler à une pression de fonctionnement plus basse de 965 kPa pour une unité monophasée (Voir Fonctionnement) 2. Remplacer la soupape de sûreté ASME 3. Remplacer le manostat
Le manostat souffle l'air continuellement de la soupape de déchargement	Fonctionnement défectueux du clapet	Remplacer le clapet si le déchargeur purge continuellement
La soupape de déchargement du manostat ne lâche pas l'air lorsque le modèle s'arrête	Fonctionnement défectueux de la soupape de déchargement sur le manostat	Remplacer le manostat si le modèle ne siffle pas un peu quand le modèle s'arrête

⚠ DANGER

Ne pas démonter le clapet s'il y a de l'air dans le réservoir.

GUIDE DE DÉPANNAGE (SUITE)

SYMPTÔME	CAUSE(S) POSSIBLE(S)	ACTION CORRECTIVE
Le moteur ronron et fonctionne lentement ou pas du tout	1. Tension basse ou manque de tension	1. Vérifier avec un voltmètre, vérifiez la tension secteur à l'unité. Si le disjoncteur à réenclenchement se déclenche à maintes reprises, le problème n'est pas avec le moteur.
	2. BobinEage de moteur raccourci ou ouvert	2. Remplacer le moteur
	3. Fonctionnement défectueux du clapet ou de la soupape de déchargement	3. Remplacer le clapet ou la soupape de déchargement
	4. Fonctionnement défectueux du manostat - les contacts ne se ferment pas	4. Réparer ou remplacer le manostat
Appareil de réenclenchement se coupe à maintes reprises ou les fusibles sautent à maintes reprises	1. Réglage du manostat trop haut	1. Ajuster ou remplacer
	2. Fonctionnement défectueux du clapet	2. Nettoyer ou remplacer la soupape défectueuse
	3. Taille du disjoncteur/sectionneur incorrecte	3. S'assurer que les disjoncteurs/sectionneurs soient de classification adéquate
	4. Fonctionnement défectueux du moteur	4. Remplacer le moteur
	5. Fils desserrés	5. Vérifier tous les raccordements électriques

INSTRUCTIONS D'ENTRETIEN ET D'INSPECTION



⚠ AVERTISSEMENT

Débrancher, étiquetter, verrouiller la source de puissance et ensuite dissiper toute la pression du système avant d'essayer d'installer, réparer, déplacer ou de procéder à l'entretien.

Vérifier le filtre à air et le niveau d'huile avant chaque utilisation afin de garder le système de compresseur en bon état de marche. Inspecter la soupape de sûreté ASME quotidiennement (Voir la Figure 9). Tirer sur la bague de la soupape de sûreté et la laisser revenir à sa position normale. Cette soupape laisse échapper de l'air automatiquement si la pression dans le réservoir dépasse la pression maximale réglée d'avance. Remplacer la soupape de sûreté ASME s'il y a une fuite d'air une fois que la soupape soit lâchée ou si la soupape est grippée.

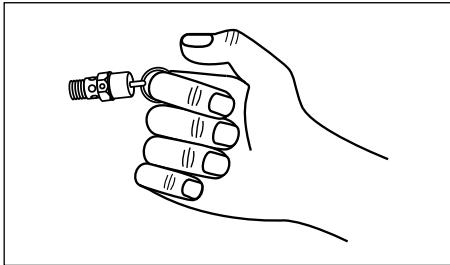


Figure 9 - Soupape de sûreté ASME

⚠ AVERTISSEMENT

Ne pas toucher la soupape de sûreté ASME.

Réservoir

⚠ AVERTISSEMENT

Ne jamais essayer de réparer ou d'altérer un réservoir! Le soudage, perçage ou n'importe quelle autre modification peut affaiblir le réservoir et peut résulter en rupture ou en explosion. Toujours remplacer les réservoirs usés, fendus ou endommagés.

AVIS

Purger le réservoir quotidiennement.

Le réservoir doit être inspecté soigneusement au moins une fois par année. Vérifier pour des fissures près des soudures. S'il y a une fissure, dissiper la pression du réservoir et le remplacer immédiatement.

Graissage du Compresseur

Voir la section de Fonctionnement. Ajouter de l'huile si nécessaire. Changer l'huile et le filtre chaque trois mois ou après chaque 200 heures d'opération, selon laquelle arrive en premier.

Si le compresseur est utilisé sous les conditions humides pour durées courtes, l'humidité peut se condenser dans le carter et l'huile peut paraître crémeuse. L'huile qui est contaminée avec de l'eau condensée ne fournit pas de lubrification suffisante et doit être remplacée immédiatement. L'utilisation de l'huile contaminée peut endommager les roulements, pistons, cylindres et bagues et n'est pas couverte par la garantie. Pour éviter la condensation de l'eau dans l'huile, faites périodiquement fonctionner le compresseur avec une pression au réservoir près de 827 kPA pour un compresseur à deux phases ou 120 psi pour un compresseur à phase unique, en ouvrant le robinet de vidange ou un robinet d'admission d'air branché au réservoir ou à un tuyau. Faire fonctionner la pompe pendant une heure au moins une fois par semaine ou plus souvent si la condensation se manifeste.

IMPORTANT: Changer l'huile après les premières 50 heures de fonctionnement.

Filtre à Air

Ne jamais utiliser le compresseur sans un filtre à air d'admission ou avec un filtre à air d'admission obstrué. L'élément du filtre d'air doit être vérifié chaque mois (voir la figure 10). L'utilisation d'un compresseur avec un filtre sale peut augmenter la consommation d'huile et peut augmenter la contamination d'huile dans l'air. Si le filtre d'air est sale, il faut le remplacer.

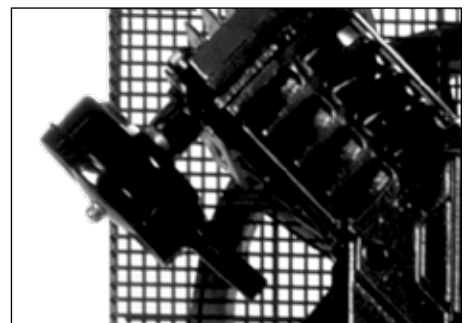


Figure 10 - Filtre d'air

INSTRUCTIONS D'ENTRETIEN ET D'INSPECTION (SUITE)

Pièces détachées

Éteignez l'appareil et nettoyez la culasse, le moteur, les hélices de ventilateur, les conduites d'air, le postrefroidisseur et le réservoir tous les mois.

Courroies



AVERTISSEMENT Mettre hors circuit et étiqueter la source de puissance et dissiper toute pression du réservoir pour éviter le mouvement inattendu du modèle.

Vérifier la rigidité des courroies chaque 3 mois. Ajuster la rigidité des courroies afin de permettre une déflexion de 9,5 mm - 12,7 mm (3/8 po - 1/2 po) avec pression du pouce normale. Aligner les courroies en utilisant une limande contre la face du volant et en touchant le limbe sur les deux bords de la face. Les courroies devraient être parallèles à la limande (Voir la Figure 11). Dimension A devrait être la même que B et C pour assurer l'alignement correct des courroies.

Des fentes dans la plaque permettent que le moteur glisse en avant et en arrière pour ajuster la tension de la courroie.

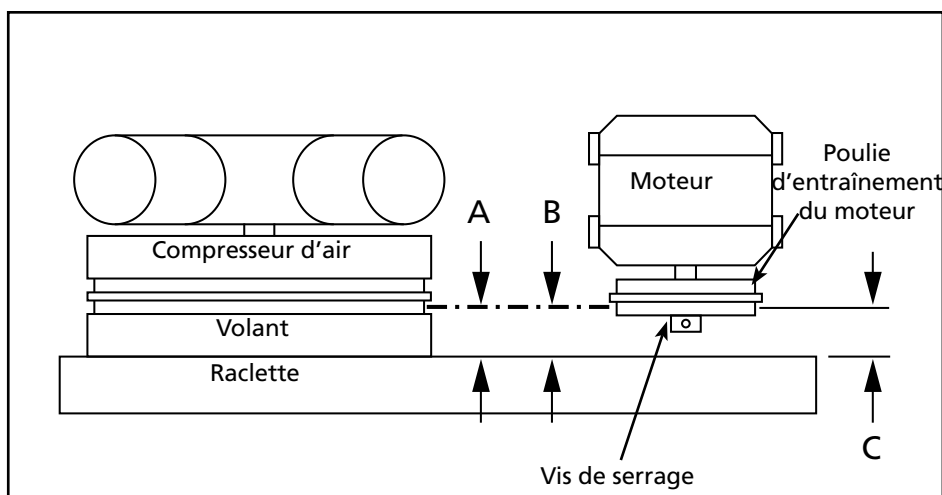


Figure 11 - Vue du dessus

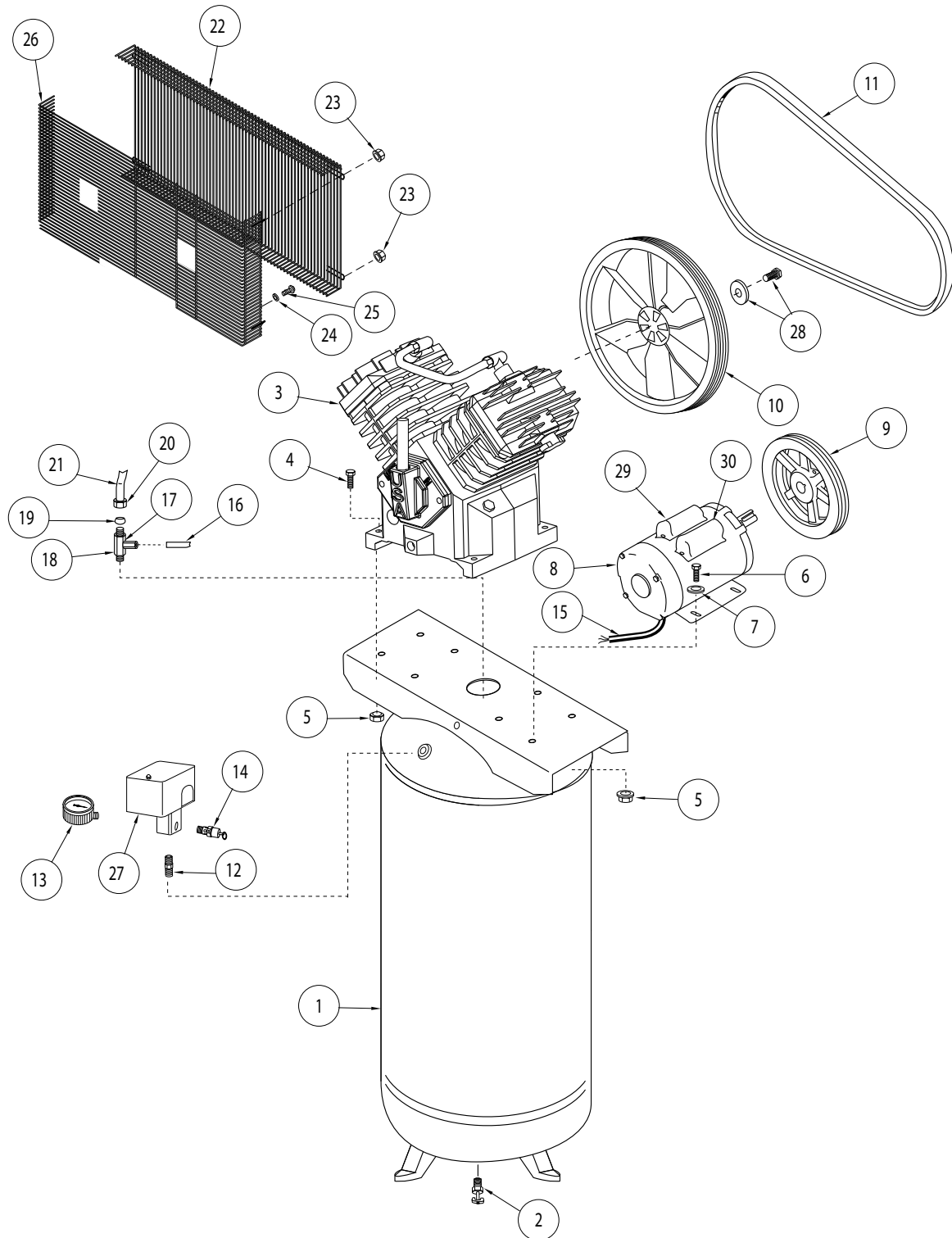
Entreposage

Pour l'entreposage à court terme, assurer que le compresseur soit rangé dans une position normale et qu'il soit dans un endroit frais et protégé.

Horaire D'entretien

FONCTIONNEMENT	QUOTIDIENNEMENT	MENSUELLEMENT	3 MOIS
Vérifier la soupape de sûreté	●		
Purger le réservoir (Voir la Figure 8)	●		
Vérifier le niveau d'huile	●		
Nettoyer ou changer le filtre à air		●	
Vérifier le refroidisseur		●	
Nettoyer les pièces du modèle		●	
Vérifier le serrage de la courroie			●
Changer l'huile (Voir la Figure 6)			●

ILLUSTRATION DES PIÈCES DÉTACHÉES POUR LE MODÈLE CE4104 ET TQ3104



**Pour de l'information sur les pièces détachées, visitez
www.campbellhausfeld.com**

24 heures par jour – 365 jours par an

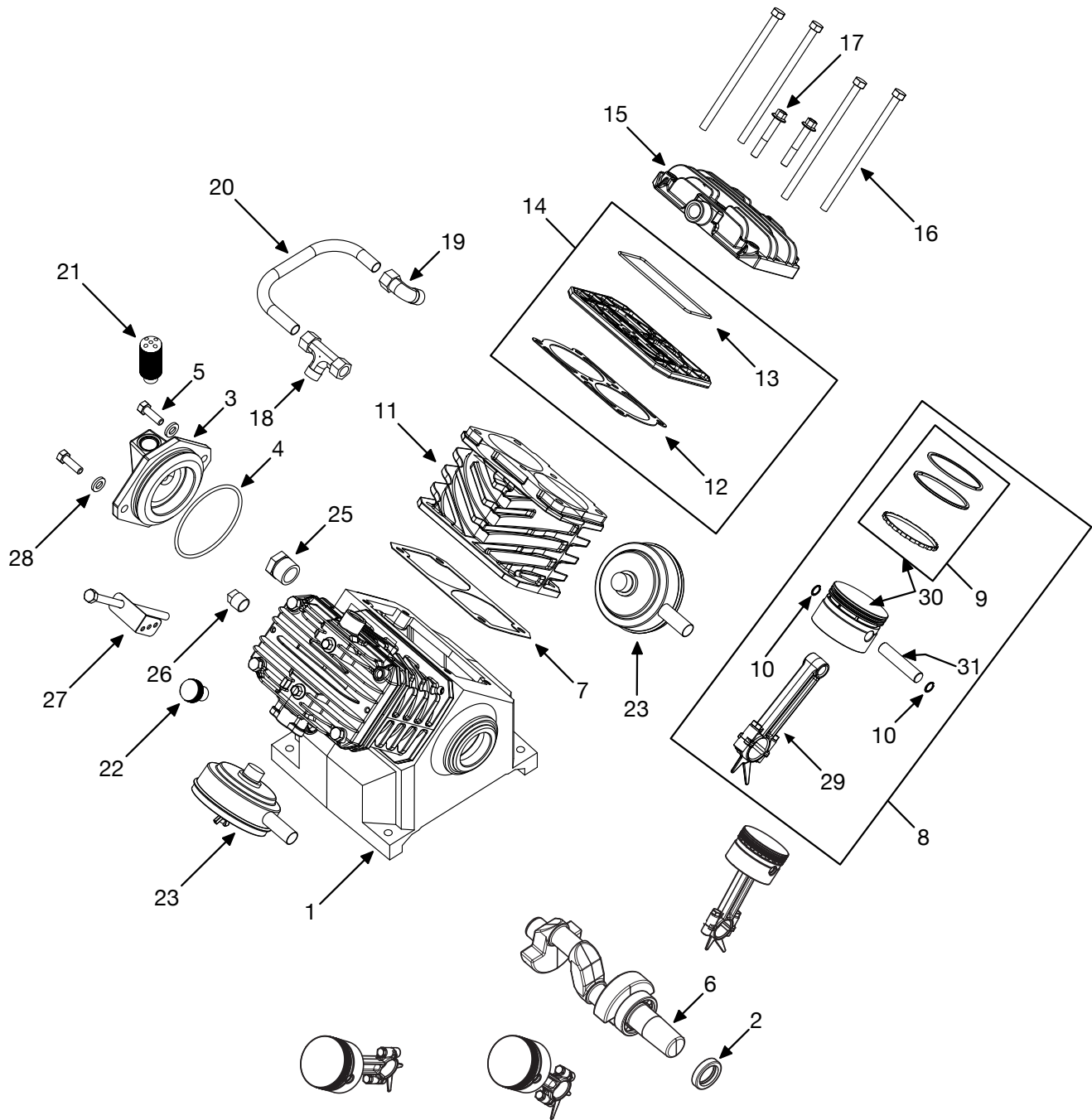
Fournir les informations suivantes :

- Numéro de modèle
- Numéro de série (s'il y en a un)
- Description et numéro de pièce comme indiqué sur la liste des pièces

LISTE DES PIÈCES DÉTACHÉES POUR LE MODÈLE CE4104 ET TQ3104

N° de réf.	Description	Numéro de pièce :	Qté
1	RÉSERVOIR D'AIR	AG232401CG	1
2	ROBINET DE PURGE	ST127700AV	1
3	POMPE D'AIR COMPRIMÉ AVEC VOLANT	TQ3010	1
4	BOULON HEXAGONAL 5/16 PO - 18 x 1-1/2 PO	†	4
5	ÉCROU DE BLOCAGE 5/16 PO - 18	†	8
6	BOULON HEXAGONAL 5/16 PO - 18 x 3/4 PO	†	
7	RONDELLE 5/16 PO	†	4
8	MOTEUR ÉLECTRIQUE	MC035700AV	1
9	POULIE DE MOTEUR	PU017001AV	1
10	VOLANT	PU017100AV	1
11	COURROIE	BT013101AV	1
12	MAMELON DE TUYAU	HF002401AV ▲	1
13	MANOMÈTRE	GA031900AV ▲	1
14	SOUPAPE DE SÛRETÉ	V-215105AV ▲	1
15	CORDON D'ALIMENTATION	EC014800AV	1
16	TUYAU DE DÉCHARGEMENT	ST117802AV	1
17	RACCORD POUSSOIR DROIT	ST081301AV	1
18	CLAPET	CV223300AV	1
19	MANCHON DE COMPRESSION 1/2 PO	ST032900AV	1
20	ÉCROU DE COMPRESSION DE 1/2 PO	ST033001AV	1
21	TUYAU DE DÉCHARGE	TQ901600AP	1
22	CARTER DE COURROIE (AVANT)	BG307400AV	1
23	ÉCROU HEXAGONAL 10-24	ST116201AV	5
24	RONDELLE 7,9 MM (5/16 PO)	ST011200AV	2
25	VIS AUTO-TARAUDEUSE 5/16 PO	ST016500AV	4
26	CARTER DE COURROIE (ARRIÈRE)	BG307500AV	1
27	MANOSTAT (AVEC SOUPAPE DE DÉCOMPRESSION)	CW212201AV ▲	1
28	ENSEMBLE DE FIXATION DU VOLANT-MOTEUR	TQ901400AV	1
29	CONDENSATEUR - DÉMARRAGE	MC507025AV	1
30	CONDENSATEUR - EXÉCUTION	MC506912AV	1
	AVERTISSEMENT (NON AFFICHÉ)	DK747600AV	1
	SOUPAPE DE DÉCOMPRESSION DU MANOSTAT (NON AFFICHÉ)	CW210001AV ▲	1
	COUVERCLE DU MANOSTAT (NON AFFICHÉ)	CW217800AV ▲	1
▲	ASSEMBLAGE DU MANOSTAT MULTIPORT		
--	PAS DISPONIBLE		
†	ARTICLE DISPONIBLE CHEZ VOTRE QUINCAILLERIE LOCALE		

ILLUSTRATION DES PIÈCES DÉTACHÉES POUR LE MODÈLE TQ3010



**Pour de l'information sur les pièces détachées, visitez
www.campbellhausfeld.com**

24 heures par jour – 365 jours par an

Fournir les informations suivantes :

- Numéro de modèle
- Numéro de série (s'il y en a un)
- Description et numéro de pièce comme indiqué sur la liste des pièces

LISTE DES PIÈCES DÉTACHÉES POUR LE MODÈLE TQ3010

N° de réf.	Description	Numéro de pièce :	Qté
1	CARTER	TQ010001AV	1
2	BAGUE D'ÉTANCHÉITÉ D'HUILE	ST120000AV	1
3	CHAPEAU DE PALIER	TQ010201AV	1
4	JOINT TORIQUE	●	1
5	VIS À TÊTE HEXAGONALE M8 X 1-1/4 PO X 25 MM	†	2
6	ASSEMBLAGE DE ROULEMENT À BILLES ET VILEBREQUIN	TQ900201AJ	1
7	JOINT D'ÉTANCHÉITÉ DE CARTER	●	2
8	ASSEMBLAGE DE BIELLE	■	4
9	JEU DE SEGMENTS DE PISTON (DEUX JEUX)	VT911200AV ■	2
10	ANNEAU DE RETENUE INTERNE	■	8
11	CYLINDRE	VT040915AV	2
12	JOINT D'ÉTANCHÉITÉ DE CYLINDRE	●	2
13	JOINT TORIQUE MOULÉ QUAD	●	2
14	JEU DE PLAQUE DE SOUPAPE	VT470800AJ	2
15	TÊTE DU CYLINDRE	▲	2
16	VIS À TÊTE HEXAGONALE M8 X 150 MM	▲	8
17	VIS D'ACCOUPLLEMENT	▲	4
18	RACCORD EN T D'ÉCHAPPEMENT	TQ901100AV	1
19	RACCORD EN COUDE D'ÉCHAPPEMENT	TQ901200AV	1
20	TUYAU D'ÉCHAPPEMENT	TQ901300AV	1
21	RENIFLARD	VH901100AV	1
22	BOUCHON DE REMPLISSAGE D'HUILE	VH900800AV	1
23	FILTRE D'AIR AVEC ÉLÉMENT	VH901700AV	2
24 ▼	ÉLÉMENT DE FILTRE D'AIR SEULEMENT	VH901800AV	2
25	REGARD	VH901000AV	1
26	BOUCHON DE TUYAU DE 1/4 PO (6,4 MM) NPT	ST072915AV	1
27	SUPPORT DE CARTER DE COURROIE	TQ012000AV	1
28	RONDELLE DE LAITON	ST070925AV	2
29	BIELLE DE CONNEXION	TQ010901AJ	4
30	TROUSSE DE PISTON AVEC ANNEAUX	TQ901700AV	4
31	TROUSSE DE GOUPILLE DE BIELLE (#10 (2) COMPRIS)	TQ901800AV	4
NÉCESSAIRES DE PIÈCES DE RECHANGE			
▲	TROUSSE D'ATTACHES ET CULASSE	TQ900800AJ	
■	TROUSSE D'ASSEMBLAGE D'ANNEAU DE PISTON / BIELLE	TQ901500AV	
●	NÉCESSAIRE DE JOINT D'ÉTANCHÉITÉ	TQ901001AJ	
▼	PAS INDIQUÉE		
†	ARTICLE NORMAL DE QUINCAILLERIE		

Mémento: Gardez votre preuve datée d'achat à fin de la garantie! Joignez-la à ce manuel ou classez-la dans un dossier pour plus de sécurité.

GARANTIE LIMITÉE

1. **DURÉE:** La pompe du compresseur et le récepteur d'air sont garantis pour trois ans de la date d'achat par l'acheteur original. Le reste du compresseur est garanti pendant un an de la date d'achat par l'acheteur original.
2. **GARANTIE ACCORDÉE PAR (GARANT) :** Campbell Hausfeld a Marmon/Berkshire Hathaway Company, 100 Production Drive, Harrison, Ohio, 45030. Visit www.campbellhausfeld.com
3. **BÉNÉFICIAIRE DE CETTE GARANTIE (ACHETEUR) :** L'acheteur original (sauf en cas de revente) du compresseur d'air Campbell Hausfeld.
4. **PRODUITS COUVERTS PAR CETTE GARANTIE :** Compresseurs d'air de séries CE4104 et TQ3104 de Campbell Hausfeld.
5. **COUVERTURE DE LA PRÉSENTE GARANTIE :** Les pièces et la main d'oeuvre pour corriger les défauts de matériaux et/ou de main d'oeuvre avec les exceptions indiquées ci-dessous.
6. **LA PRÉSENTE GARANTIE NE COUVRE PAS :**
 - A. Les garanties implicites, y compris celles de commercialisation et D'ADAPTATION À UNE FONCTION PARTICULIÈRE SONT LIMITÉES À PARTIR DE LA DATE D'ACHAT INITIALE TELLE QU'INDIQUÉE DANS LA SECTION DURÉE. Certaines Provinces (États) n'autorisent pas de limitations de durée pour les garanties implicites, donc les limitations précédentes peuvent donc ne pas s'appliquer.
 - B. TOUT DOMMAGE, PERTE OU DÉPENSE FORTUIT OU INDIRECT POUVANT RÉSULTER DE TOUT DÉFAUT, PANNE OU MAUVAIS FONCTIONNEMENT DU PRODUIT CAMPBELL HAUSFELD. Quelques Provinces (États) n'autorisent pas l'exclusion ni la limitation des dommages fortuits ou indirects. La limitation ou l'exclusion précédente peut donc ne pas s'appliquer.
 - C. Resserer les attaches desserrées:
 1. Accident ou abus de l'acheteur
 2. Mauvaise installation
 3. L'équipement qui n'a pas été utilisé ou entretenu conformément aux instructions de Campbell Hausfeld selon les détails du manuel d'utilisation fourni avec le compresseur.
 4. Équipement qui a été réparé ou modifié sans autorisation de Campbell Hausfeld.
 - D. Service avant livraison; le montage, l'huile ou la graisse et les réglages par exemple.
 - E. Les effets d'usure normale.
 - F. Les moteurs à essence et les pièces détachées sont expressément exclus de cette garantie limitée. L'acheteur doit observer la garantie du fabricant de moteur qui est fournie avec le produit.
 - G. Équipement qui a été endommagé en transit.
7. **RESPONSABILITÉS DU GARANT AUX TERMES DE CETTE GARANTIE :** Réparation ou remplacement, au choix du Garant, d'un compresseur ou d'une pièce détachée qui s'est révélé défectueux ou qui n'est pas conforme pendant la durée de validité de la garantie. Les réparations garanties seront faites au site de l'acheteur.
8. **RESPONSABILITÉS DE L'ACHETEUR AUX TERMES DE CETTE GARANTIE :**
 - A. Fournir une preuve d'achat datée et un état d'entretien.
 - B. Utilisation et entretien du produit avec un soin raisonnable, ainsi que le décri(vent)t le(s) manuel(s) d'utilisation.
 - C. Réparations qui exigent de temps additionnel, taux de charge de fin de semaine, ou tout problème au-delà du taux normal de remboursement par main d'œuvre de réparations sous garantie du fabriquant.
 - D. Temps nécessaire pour tout contrôle de sécurité, entraînement de sécurité, ou situation semblable parce que le personnel de service puisse obtenir l'accès à l'installation.
 - E. L'emplacement de l'unité doit être facilement accessible et avoir l'espace suffisant parce que le personnel de service puisse effectuer les réparations.
9. **RÉPARATION OU REMPLACEMENT EFFECTUÉ PAR LE GARANT AUX TERMES DE LA PRÉSENTE GARANTIE :** La réparation ou le remplacement sera prévu et exécuté en fonction de la charge de travail dans le centre de service et dépendra de la disponibilité des pièces de rechange.

Cette Garantie Limitée s'applique aux É.-U., au Canada et au Mexique seulement et vous donne des droits juridiques précis. L'acheteur peut également jouir d'autres droits qui varient d'une Province, d'un État ou d'un Pays à l'autre.



Compresor de aire de etapa única

Manual de Instrucciones y Lista de Piezas



Modelos: CE4104 y TQ3104

SP



Por favor, lea y guarde estas instrucciones. Lealas cuidadosamente antes de tratar de montar, instalar, operar o dar mantenimiento al producto aquí descrito.

Protejase usted mismo y a los demás observando toda la información de seguridad. ¡El no cumplir con las instrucciones puede ocasionar daños, tanto personales como a la propiedad! Guarde estas instrucciones para referencia en el futuro.

RECORDATORIO: ¡guarde su comprobante de compra con fecha para fines de la garantía! Adjúntela a este manual o archívela en lugar seguro.

Para ordenar repuestos, información de productos y servicios visítenos en www.campbellhausfeld.com

Modelo #: _____

No. de Serie #: _____

Fecha de Compra: _____

Campbell Hausfeld
100 Production Drive
Harrison, Ohio 45030

**¡REGISTRE SU PRODUCTO EN LÍNEA AHORA MISMO! www.campbellhausfeld.com
LEA Y SIGA TODAS LAS INSTRUCCIONES • GUARDE ESTAS INSTRUCCIONES • NO LAS DESECHE**

ANTES DE COMENZAR

Introducción

Las unidades de compresor de aire están diseñadas para proporcionar aire comprimido para herramientas neumáticas, para operar pistolas rociadoras y para suministrar aire a válvulas y actuadores neumáticos. Las bombas suministradas con estas unidades tienen rodamientos lubricados con aceite. Hay una pequeña cantidad de aceite presente en el flujo de aire comprimido. Las aplicaciones que requieran de aire libre de vapores de aceite deben tener instalados los filtros apropiados. Las unidades de compresor de aire deben ser montadas en un piso sólido de acuerdo con las instrucciones proporcionadas. Cualquier otro uso de estas unidades anulará la garantía y el fabricante no será responsable de los problemas o daños causados por este mal uso.

REFERENCIA RÁPIDA
ACEITE RECOMENDADO (2 OPCIONES)
Aceite no detergente de viscosidad única SAE 30 ISO100 para compresores. Número de parte ST126700AV.
Aceite sintético 10W30 como Mobil 1®.
CAPACIDAD DE ACEITE
Aproximadamente 1,18 L.

DESEMPAQUE

⚠ PRECAUCION *No levante ni mueva la unidad sin equipo con capacidad apropiada. Asegúrese de que la unidad está bien sujeta al dispositivo de levantamiento utilizado. No levante la unidad sujetando los tubos o enfriadores. No use la unidad para levantar otros equipos anexos.*

Después de desempacar la unidad, inspecciónela cuidadosamente para detectar cualquier daño que pueda haber ocurrido durante el traslado. Verifique que no haya partes flojas, faltantes o dañadas. Verifique que todos los accesorios incluidos se encuentran con la unidad. En caso de preguntas, partes dañadas o faltantes, please visit www.campbellhausfeld.com for customer assistance.

⚠ ADVERTENCIA *No opere la unidad si se ha dañado durante el envío, manejo o uso. El daño puede ocasionar explosiones y causar lesiones o daños materiales.*





Artículos requeridos - No incluidos

- Aceite

INSTRUCCIONES GENERALES DE SEGURIDAD

Medidas de Seguridad

Este manual contiene información que es muy importante que sepa y comprenda. Esta información se la suministramos como medida de SEGURIDAD y para EVITAR PROBLEMAS CON EL EQUIPO. Debe reconocer los siguientes símbolos.

-  **PELIGRO** Esto le indica que hay una situación inmediata que LE OCASIONARIA la muerte o heridas de gravedad.
-  **ADVERTENCIA** Esto le indica que hay una situación que PODRIA ocasionarle la muerte o heridas de gravedad.
-  **PRECAUCION** Esto le indica que hay una situación que PODRIA ocasionarle heridas no muy graves.
-  **AVIS** Esto le indica una información importante, que de no seguirla, le podría ocasionar daños al equipo.

NOTA: Nota indica información adicional referente al producto o a su uso correcto.

Símbolos de Seguridad

Los siguientes símbolos de seguridad aparecen a lo largo de este manual para advertirle de importantes peligros y precauciones de seguridad.



Use protección para los ojos y máscara



Lea primero el manual



Riesgo de incendio



Riesgo de piezas móviles



Riesgo de piezas calientes



Riesgo de explosión



Riesgo de vapores




Riesgo de presión




Riesgo de choque eléctrico

Proposición 65 de California

 **ADVERTENCIA** Este producto, cuando se usa para soldar, produce humos o gases que contienen químicos los cuales, según lo ha determinado el estado de California, causan defectos congénitos (u otros daños de la función reproductiva), y en algunos casos, el cáncer (Ley sobre Seguridad y Salud de California No. 25249.5 y siguientes)



 **ADVERTENCIA** Este producto y su cable de corriente contienen plomo, un químico que es conocido por el Estado de California como causante de cáncer y defectos de nacimiento u otros daños reproductivos. Lávese las manos después de manipularlo.

Información Importante de Seguridad

Por favor lea y guarde estas instrucciones. Lea cuidadosamente antes de intentar armar, instalar, operar o dar mantenimiento al producto descrito. Protéjase a sí mismo y a otros al seguir toda la información de seguridad. No cumplir con estas instrucciones podría resultar en lesiones personales y/o daños materiales. Conserve las instrucciones para futura referencia.

Este manual contiene información importante concierne a la seguridad operacional y mantenimiento. Si tiene alguna pregunta, por favor visite www.campbellhausfeld.com para asistencia al cliente.

Dado que el compresor de aire y otros componentes (bomba de material, pistolas rociadoras, filtros lubricantes, mangueras, etc.) utilizados forman un sistema de bombeo de alta presión, las siguientes precauciones de seguridad deben cumplirse en todo momento:

Información Importante de Seguridad (Continuación)

⚠ PELIGRO

ADVERTENCIA SOBRE EL AIRE RESPIRABLE

Este compresor/cabezal no viene listo de fábrica para suministrarle aire respirable. Antes de utilizarlos con este fin, deberá instalarle un sistema de seguridad y alarma incorporado a la línea. Este sistema adicional es necesario para filtrar y purificar el aire adecuadamente, para cumplir con las especificaciones mínimas sobre aire respirable de Grado D descritas en la Especificación de Productos G 7.1 de la Asociación de Aire Comprimido. Igualmente, deberá cumplir los requisitos establecidos por el Artículo 29 CFR 1910. 134 de la Organización norteamericana OSHA y/o la Canadian Standards Associations (CSA).

RENUNCIA A LAS GARANTIAS

Si el compresor se utiliza para producir aire respirable SIN haberle instalado el sistema de seguridad y alarma, todas la garantías se anularán y la compañía Campbell Hausfeld no asumirá NINGUNA responsabilidad por pérdidas, heridas personales o daños.

Informaciones Generales de Seguridad



- Lea con cuidado todos los manuales incluidos con este producto. Familiarícese con los controles y el uso adecuado del equipo.
- Siga todos los códigos de seguridad laboral y electricidad establecidos en su país, por ejemplo, los de la NEC y OSHA en EUA.
- Este compresor sólo debe ser usado por personas que estén bien familiarizadas con las reglas de seguridad de manejo.
- Mantenga a los visitantes alejados y NUNCA permita la presencia de niños en el área de trabajo.
- Siempre use anteojos de seguridad y protéjase los oídos para operar el cabezal o el compresor.
- No se encarama sobre el cabezal, ni lo use para sostenerse.
- Antes de cada uso, inspeccione el sistema de aire comprimido y los componentes eléctricos para ver si están dañados, deteriorados, desgastados o tienen fugas. Repare o reemplace las piezas dañadas antes de usar el equipo.
- Chequee todas las conexiones frecuentemente para cerciorarse de que estén bien apretadas.



⚠ ADVERTENCIA *Los motores, equipos eléctricos y controles, pueden ocasionar arcos eléctricos que se encenderían con gases o vapores inflamables. Nunca utilice o repare el compresor cerca de gases o vapores inflamables. Nunca almacene líquidos o gases inflamables cerca del compresor.*



⚠ ADVERTENCIA *Nunca utilice el compresor sin la tapa de las bandas. Los compresores se pueden encender automáticamente sin previo aviso. Las piezas en movimiento podrían ocasionarle heridas o daños a su propiedad.*

- No se ponga ropa muy holgada o joyas, ya que éstas se le podrían enredar en las piezas en movimiento.



⚠ PRECAUCION *Las piezas del compresor podrían estar calientes, inclusive cuando la unidad esté apagada.*

- Mantenga los dedos alejados del compresor cuando éste esté funcionando; las piezas en movimiento o calientes, le ocasionarían heridas y/o quemaduras.
- Si el equipo comienza a vibrar excesivamente, APAGUE el motor y chequéelo inmediatamente para determinar la razón. Generalmente, la vibración excesiva se debe a una falla.
- Para reducir el peligro de incendio, mantenga el exterior del motor libre de aceite, solventes o exceso de grasa.

Información Importante de Seguridad (Continuación)

⚠ ADVERTENCIA

Es obligación instalar en la tubería de aire o en el tanque de este compresor una válvula de desfogue según las normas de seguridad ASME con ajuste no superior a la Presión Máxima Admisible de Trabajo (MAWP) del tanque. Esta válvula debe estar diseñada para los valores máximos de flujo y presión para proteger los componentes contra el peligro de explosión. Los límites máximos del flujo se indican en el manual de repuestos. La válvula de seguridad del sistema de enfriamiento interno no protege el sistema.

⚠ ADVERTENCIA

La presión de operación máxima es 9. bar para compresores de etapa única. No opere con el interruptor de presión o las válvulas de piloto configuradas a más de 9.7 bar (etapa única).

- Nunca trate de ajustar la válvula de seguridad ASME. Evite que se le acumule pintura u otro residuos.

⚠ ADVERTENCIA

¡Nunca trate de reparar o modificar el tanque! Si lo suelda, taladra o modifica de cualquier otra manera, el tanque se debilitará y podría romperse o explotar. Siempre reemplace los tanques desgastados, rotos o dañados.

AVISO

Drene el líquido del tanque diariamente.

- Los tanques se oxidan debido a la acumulación de humedad y ésto debilita el tanque. Cerciórese de drenar el tanque con regularidad e inspeccionarlo periódicamente, para ver si está en malas condiciones, por ejemplo, si está oxidado.
- La circulación rápida de aire podría levantar polvo y desperdicios dañinos. Siempre libere el aire lentamente para drenar el tanque o liberar la presión del sistema.

Precauciones Para Rociar

⚠ ADVERTENCIA

Nunca rocíe materiales inflamables cerca de llamas al descubierto o fuentes de ignición, incluyendo el compresor.

- No fume mientras esté rociando pintura, insecticidas u otras sustancias inflamables.
- Use una máscara/respirador cuando vaya a rociar y siempre rocíe en un área bien ventilada, para evitar peligros de salud e incendios.
- Nunca rocíe pintura ni otros materiales, directamente hacia el compresor. Coloque el compresor lo más lejos posible del área de trabajo, para minimizar la acumulación de residuos en el compresor.
- Al rociar o limpiar con solventes o químicos tóxicos, siga las instrucciones del fabricante de dichos químicos.

Guarde estas instrucciones – no las deseche

Los símbolos de **PELIGRO**, **ADVERTENCIA**, **PRECAUCIÓN**, y **AVISO** y las instrucciones en este manual no pueden posiblemente cubrir todas las condiciones y situaciones posibles que puedan presentarse. El operador debe entender que la precaución es un factor que no puede ser incluido en el producto, sino que debe ser proporcionada por el operador.



Conozca su Compresor

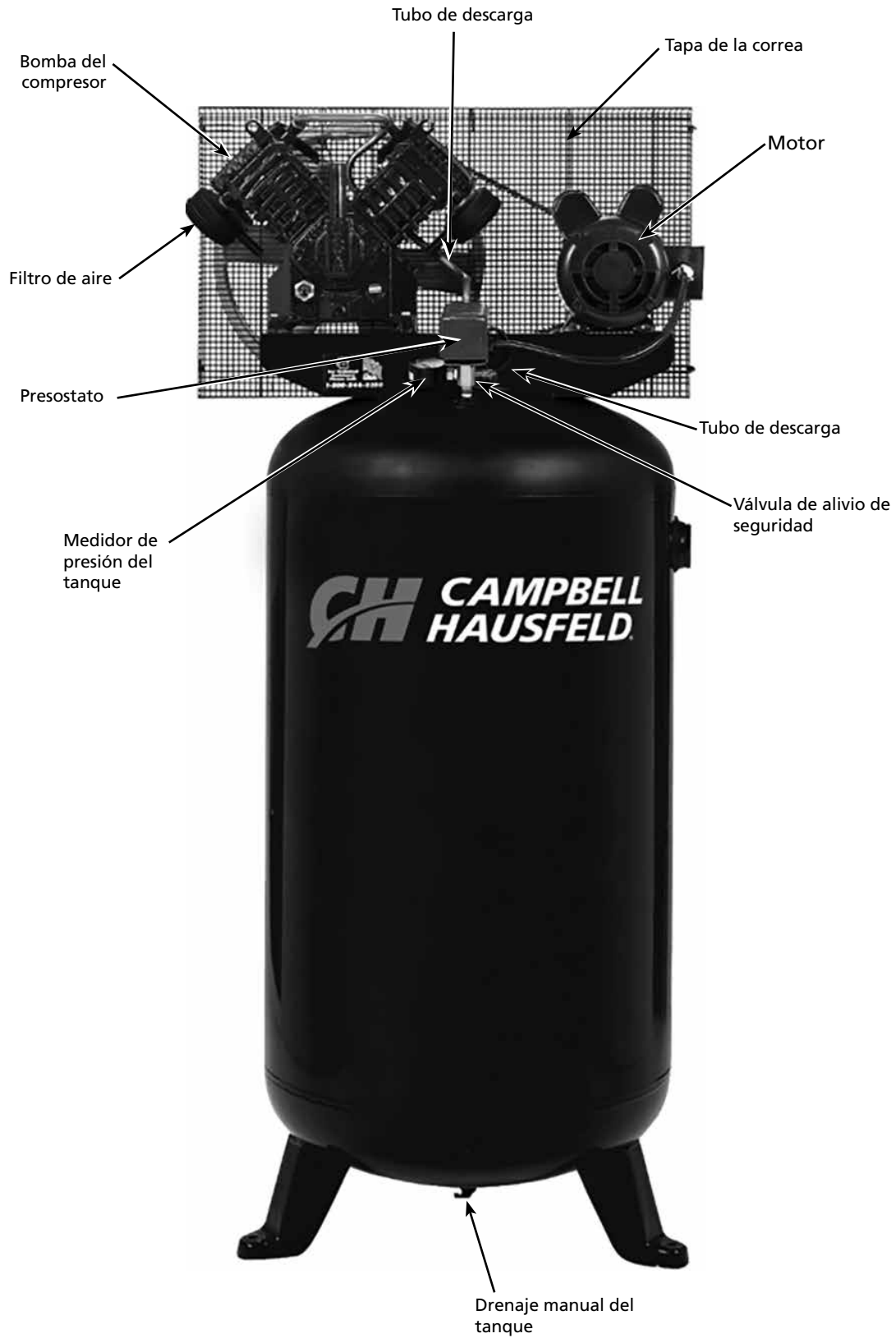


Figura 1 - Identificación de la Unidad Vertical

ESPECIFICACIONES

CE4104 y TQ3104	
HP del Motor	5
Potencia	208-230V
Fase	1
Desplazamiento CFM	658.1 l/min
Entrega de aire CFM a 6.2 bar	489.9 l/min
Entrega de aire CFM a 9.7 bar	402.1 l/min
Presión máxima en bar	9.7
RPM de la Bomba	950
Capacidad del Tanque	302.80 L
Peso de la unidad	185.98 kg
Carga en amperes	21.0
Ciclo máximo de uso	80/20
Salida del Tanque	19,1 mm (3/4 pulg.) (F) NPT

DIMENSIONES

CE4104 y TQ3104	
Longitud	58.42 cm
Ancho	78.74 cm
Altura	180.34 cm

INSTALACIÓN



⚠ ADVERTENCIA Desconecte el cordón eléctrico, amárrelo y aléjelo del tomacorrientes, después libere toda la presión del tanque antes de tratar de instalar el compresor, darle servicio, moverlo de sitio o darle cualquier tipo de mantenimiento.

⚠ PRECAUCION Nunca alce o mueva la unidad sin usar un equipo adecuado. Cerciérese de que la unidad esté bien segura. No la tome por los tubos o piezas del sistema de enfriamiento para levantarla. No use la unidad para alzar otros equipos.

⚠ PRECAUCION Nunca instale el compresor sobre la base de madera en la que se envió de la fábrica.

Elección Del Lugar

Siempre debe instalar y utilizar el compresor en un área limpia y bien ventilada y a una distancia de por lo menos 46 cm (18 pulg) de cualquier obstrucción. La temperatura del medio ambiente no debe exceder los 38,08o C. Ésto le garantizará el flujo normal de aire para enfriar el compresor y suficiente espacio para darle mantenimiento.

⚠ PRECAUCION Nunca coloque la entrada de aire del compresor cerca de un área donde haya vapor, donde se rocíe pintura o arena, o haya otras fuentes de contaminación.

NOTA: Cuando utilice el compresor en un ambiente cálido y húmedo le debe suministrar aire limpio y seco del exterior al cabezal. Utilice una tubería para suministrarle el aire del exterior.

Para Instalar El Tanque

El tanque se debe instalar sobre un piso plano y nivelado de concreto, o sobre una base de concreto separada. Debe colocarle aislantes entre las patas del tanque y el piso. Se recomiendan almohadillas aislantes con número de parte MP345700AJ para las unidades.

Cuando use las almohadillas aislantes, **no apriete los pernos excesivamente**. Debe permitir que las almohadillas absorban la vibración. Cuando use las almohadillas aislantes, debe instalar una manguera flexible o acoplador, entre el tanque y las tuberías de servicio.

⚠ ADVERTENCIA Si no instala el tanque adecuadamente, las soldaduras se podrían romper y el tanque podría explotar.



Tuberías

⚠ ADVERTENCIA Nunca use tuberías de plástico (PVC) con aire comprimido. Ésto podría ocasionarle heridas graves.

Cualquier tipo de tuberías o manguera que conecte al compresor deben estar diseñados para el tipo de temperaturas y presiones generadas. Todos los componentes presurizados del sistema de aire deben tener una clasificación de presión de 13,79 bar o superior. Si selecciona e instala una tubería o manguera incorrecta, éstas podrían explotar y ocasionarle heridas. Para conectar las tuberías al tanque, utilice conexiones del mismo tamaño que el orificio de salida.

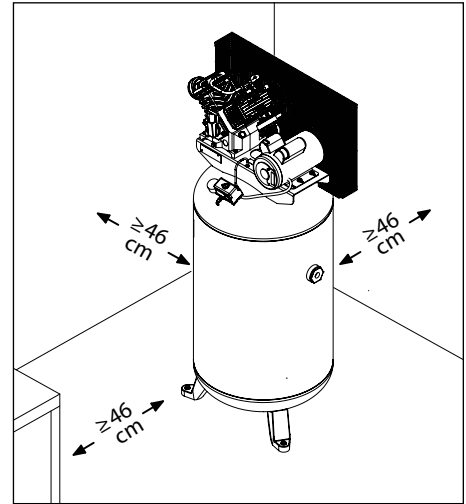


Figura 2 - Ubicación

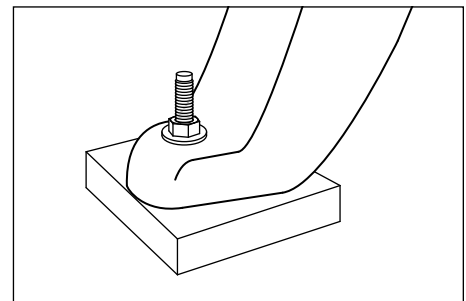


Figura 3 - Almohadillas aisladoras

Tamaño Mínimo de las Tuberías de las Líneas de Aire Comprimido

l/min	Longitud de las Tuberías			
	7,62 m	15,24 m	30,48 m	76,2 m
283.2	12,7 mm	12,7 mm	19,1 mm	19,1 mm
566.3	19,1 mm	19,1 mm	19,1 mm	2,54 cm
1132.7	19,1 mm	2,54 cm	2,54 cm	2,54 cm
1699.0	19,1 mm	2,54 cm	2,54 cm	2,54 cm
2831.7	2,54 cm	2,54 cm	2,54 cm	3,18 cm

INSTALACIÓN (CONTINUACIÓN)

Para Instalarle Una Valvula de Cierre

Debe instalarle una válvula de cierre en la salida del tanque para controlar el flujo de aire que sale del tanque. La válvula se debe colocar entre el tanque y las tuberías.

⚠ ADVERTENCIA *Nunca instale una válvula de cierre entre el cabezal y el tanque. Ésto le podría ocasionar heridas y/o daños a su propiedad. Nunca use reductores en las tuberías de salida.*

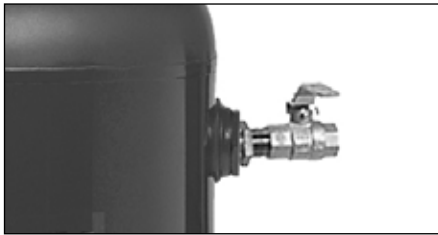


Figura 4 - Valvula de cierre

Cuando vaya a instalar un sistema permanente de distribución de aire comprimido, debe calcular la longitud total del sistema y seleccionar las tuberías adecuadas según la tabla que le ofrecemos en este manual. Las tuberías se deben instalar bajo el nivel de congelamiento, para evitar que creen vacío donde se pueda concentrar la condensación y se congelen.

Aplíquele presión de aire a las tuberías y cerciórese de que ninguna conexión tenga fugas ANTES de cubrirlas. Antes de utilizar el compresor, cerciórese de que no haya fugas en las tuberías y conexiones y repárelas de haberlas.

Alambrado

⚠ ADVERTENCIA *Todo el cableado e instalaciones eléctricas deberán ser realizados por un electricista calificado familiarizado con los controles de motores de inducción. Las instalaciones se deben hacer según los códigos locales y nacionales.*

⚠ ADVERTENCIA *Si el sistema de alambrado no se instala adecuadamente podría ocasionar sobrecalentamiento, cortocircuitos e incendios.*

El alambrado se debe hacer según todos los códigos nacionales de electricidad y los reglamentos sobre artefactos eléctricos y de alambrado. Consúltele a un técnico especializado en la materia y cumpla con todas la ordenanzas. Cerciórese de usar los cables adecuados y de que:

1. El amperaje sea adecuado.
2. La línea de suministro eléctrico sea similar a la del motor (voltaje, ciclaje y fases).
3. Los alambres sean del calibre adecuado y de que no hayan otros artefactos eléctricos conectados a la misma línea. Aquí le ofrecemos una tabla con los tamaños adecuados para instalar el compresor.

Tamaño Mínimo del alambre (use alambres de cobre de 75°C)

Asegúrese de que el voltaje concuerde con el cableado del motor.

NOTA: Si usa corriente monofásica de 208 voltios, asegúrese de que la placa de nombre del motor diga que está clasificado para corriente monofásica de 208 voltios. Los motores para corriente monofásica de 230 voltios no funcionan con 208 voltios a menos que tengan la clasificación de 208 voltios.

CP	AMPS	MONOPHASÉ
		230V
1-4 CP	HASTA 22.0	10 AWG
5.0		8 AWG

Los tamaños de cables recomendados podrían ser mayores al mínimo establecido por las ordenanzas locales. En ese caso debe utilizarse el cable más grande para evitar una caída excesiva de voltaje en la línea. El costo adicional del cable es muy pequeño en comparación con el costo de reparar o reemplazar un motor al que le falte alimentación debido al uso de cables eléctricos que sean demasiado pequeños.

INSTALACIÓN (CONTINUACIÓN)

Conexión a Tierra



⚠ ADVERTENCIA

Los artefactos eléctricos conectados a tierra incorrectamente constituyen un riesgo de electrocución. Cerciórese de que todas las conexiones a tierra estén hechas adecuadamente para evitar la muerte o heridas de gravedad.

Este producto se **debe** conectar a tierra. Al conectarlo a tierra reduce el riesgo de choque eléctrico ya que, si ocurre un cortocircuito, la conexión a tierra le ofrece un desvío a la corriente eléctrica. Este producto se debe utilizar con un cordón eléctrico o cable que tenga conexión a tierra.

Disyuntores y Fusibles

El sistema eléctrico completo debe ser verificado por un electricista certificado. Los disyuntores con retraso y fusibles son necesarios para este compresor. Un disyuntor disparado o fusible quemado puede indicar que falta una conexión directa a tierra, un alto consumo de corriente, cableado inadecuado o tamaño y/o tipo incorrecto de fusible o disyuntor. Esto debe ser evaluado por un electricista certificado.

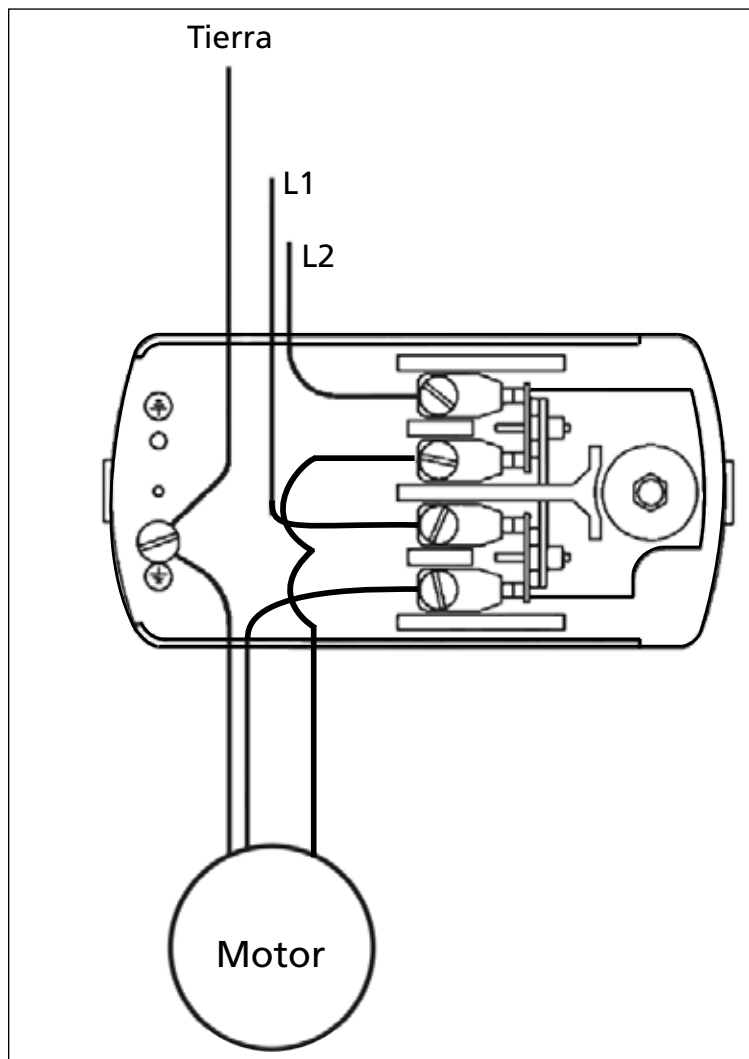


Figura 5 - Diagrama de cableado

INSTALACIÓN (CONTINUACIÓN)

Lubricacion

⚠ PRECAUCION *ESTA UNIDAD NO TIENE ACEITE. Antes de utilizar el compresor. Llene hasta el centro del calibrador visual (ver Figura 6).*

⚠ PRECAUCION *Si utiliza cualquier otro tipo de aceite podria disminuir la duracion del cabezal y dañar las válvulas.*

ACEITE RECOMENDADO (2 OPCIONES)

Aceite no detergente de viscosidad única SAE 30 ISO100 para compresores. Número de parte ST126700AV.

Aceite sintético 10W30 como Mobil 1®.

CAPACIDAD DE ACEITE

Aproximadamente 1,18 L.

Llene la bomba con aceite hasta el centro del calibrador visual usando la abertura de llenado de aceite (ver Figura 6). **NO llene la bomba a través de la abertura de la tapa de la válvula de aire ya que esto podría causar una pérdida de aceite y que la misma rociara durante el funcionamiento.**

NOTA: puede haber algo de aceite residual aún en la bomba por las pruebas realizadas en la fábrica que dejan una capa fina en el calibrador visual, sin embargo, no hay aceite suficiente para hacer funcionar la unidad.

FUNCIONAMIENTO

IMPORTANTE: Chequee la rotacion del motor antes de utilizar el compresor.

Todos los cabezales que requieren lubricación expulsan agua condensada y aceite con el aire comprimido. Por lo tanto, en ciertos casos, deberá instalar le filtros adecuados para eliminar agua/aceite.

AVISO

Si no le instala los filtros adecuados para eliminar el agua/aceite podría ocasionarle daños a al aire operado equipos

Proteccion

⚠ ADVERTENCIA *Antes de utilizar el compresor le debe instalar la tapa de las bandas.*

Todas las piezas que se mueven deben estar protegidas con una tapa. Debe colocarle todas las tapas al sistema eléctrico antes de encender el compresor.

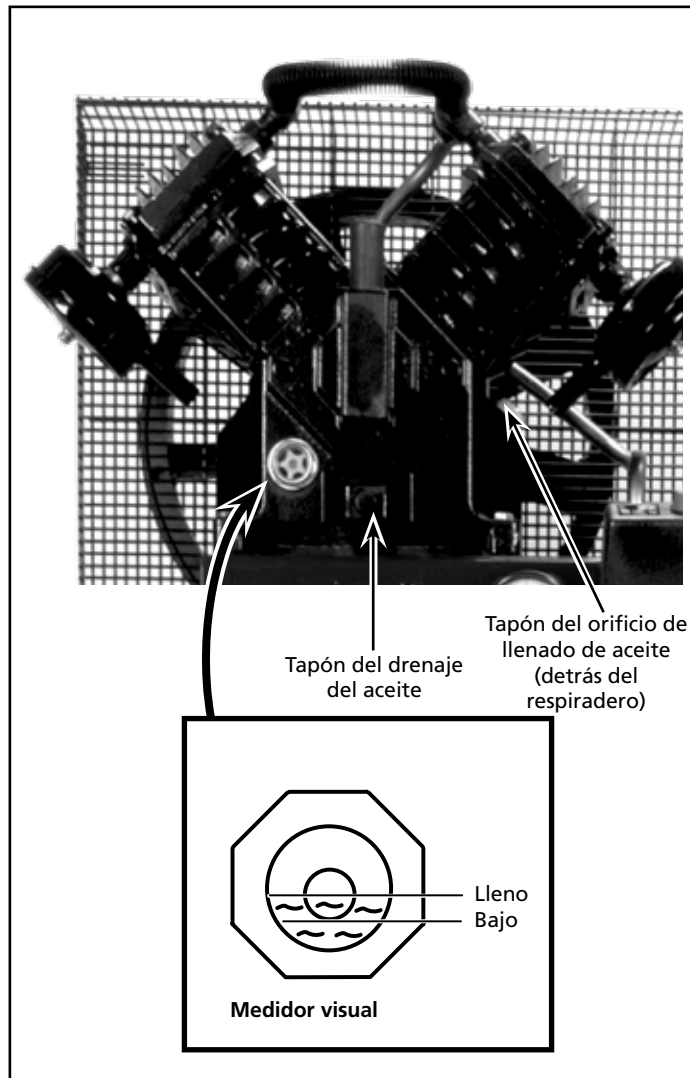


Figura 6 - Lubricacion

FUNCIONAMIENTO (CONTINUACIÓN)

Periodo De Uso Inicial Recomendado

El compresor debe operarse de manera continua a 6.2 bar o menos por una hora para permitir que los anillos de pistón se asienten apropiadamente.

1. Abra la llave de drenaje del tanque y deje que el compresor funcione durante 60 minutos.
2. Apague el compresor y cierre la llave de drenaje. El compresor está listo para funcionar.

Si el compresor se opera bajo condiciones húmedas por períodos cortos de tiempo, la humedad se condensará en el cárter y hará que el aceite se vea cremoso. El aceite contaminado con agua condensada no proporcionará una lubricación adecuada y debe cambiarse de inmediato. El uso de aceite contaminado dañará los rodamientos, pistones, cilindros y anillos y no está cubierto por la garantía. Para evitar la condensación del agua en el aceite, haga funcionar periódicamente el compresor con una presión de tanque cercana a 8.3 bar para compresores de etapa única abriendo la válvula de purga o una válvula de aire conectada al tanque o la manguera. Haga funcionar la bomba durante una hora continua al menos una vez a la semana o con más frecuencia si vuelve a ocurrir la condensación.

IMPORTANTE: Cambie el aceite después de las primeras 50 horas de operación y cada 200 horas después.

Presostato, Arranque - Paro

NOTA: Los compresores de etapa única tienen una presión de operación máxima de 9.7 bar. Nunca exceda esta presión en ninguno de los controles de los componentes.

La unidad de compresión se inicia y se detiene basándose en la configuración del presostato preestablecida de 7,6 bar de inicio y 9,7 bar de corte. El interruptor de presión contiene una pequeña válvula de descarga que permite la salida del aire para que el motor pueda arrancar fácilmente (ver Figura 7).

La válvula de descarga en el presostato silbará durante un breve período de tiempo cuando el compresor se apague. Esto libera el cabezal y la tubería de salida de toda presión y permite que el compresor se inicie sin carga. Debido a que los compresores tienen una alta torsión de arranque, es necesaria una válvula de descarga para iniciar el compresor correctamente.

La válvula de retención es una válvula de un solo sentido que mantiene el aire en el tanque cuando la unidad se apaga. La forma más fácil de determinar si la válvula de retención no está funcionando correctamente es asegurarse de que la válvula de descarga del presostato deje de silbar luego de que se apaga el compresor. El silbido debe durar por varios segundos y luego dejar de sonar.

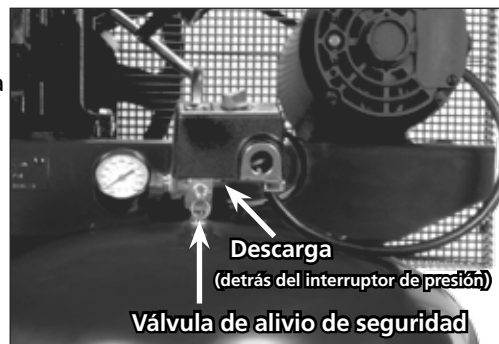


Figura 7 - Presostato

Respirador De La Caja Del Cigüeñal

Durante condiciones severas de funcionamiento o al encenderlo por primera vez, podría crearse una acumulación de aceite en el orificio del respirador de la caja del cigüeñal. Ésto es normal y disminuirá con el uso, ya que los anillos se fijarán.

Drenaje Del Tanque

Se debe drenar la condensación del tanque diariamente. En los modelos de la serie de taller use el drenaje manual del tanque (ver Figura 8).

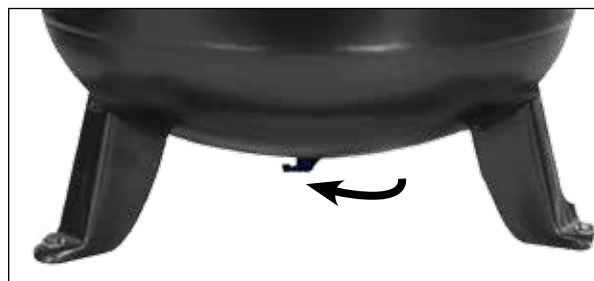


Figura 8 - Drenaje manual del tanque

GUÍA DE DIAGNÓSTICO DE AVERÍAS

PROBLEMA	POSIBLE(S) CAUSA(S)	ACCIÓN A TOMAR
Hace mucho ruido al funcionar	<ol style="list-style-type: none"> 1. La polea, el volante, la banda, la tapa de las bandas, etc está floja 2. Le falta aceite a la caja del cigüeñal 3. La base del compresor está floja 4. La válvula de chequeo está dañada 5. La unidad no está sobre almohadillas para la vibración 	<ol style="list-style-type: none"> 1. Apriéte los 2. Chequee los cojinetes a ver si están dañados, póngale aceite 3. Nivele la base y apriéte la o colóquela sobre unas almohadillas 4. Reemplace la válvula de chequeo 5. Instale almohadillas para la vibración debajo de las patas del compresor
El aceite luce cremoso	El agua se está condensando en la caja del cigüeñal debido a la alta humedad	Conecte la entrada de aire a una fuente de aire menos húmedo. Deje que el cabezal funcione continuamente por 1 hora
Consumo excesivo de aceite o presencia de aceite en las líneas de aire	<ol style="list-style-type: none"> 1. Cerciórese de que haya un problema 2. La entrada de aire está restringida 3. Está usando un aceite de viscosidad inadecuada 4. Los anillos del pistón están dañados 5. Hay fugas de aceite 6. El cilindro está rayado 	<ol style="list-style-type: none"> 1. Chequee a ver si hay problemas de contaminación del aceite: pruebe el aire expulsado o mida el consumo del aceite de la caja del cigüeñal 2. Limpie o reemplace el filtro de aire 3. Drene el aceite. Póngale aceite de viscosidad adecuada 4. Reemplace los anillos 5. Apriete los pernos, reemplace los empaques o anillos en o 6. Reemplace el cilindro
Agua en el aire expulsado	<ol style="list-style-type: none"> 1. Exceso de agua en el tanque 2. El clima es calido y húmedo 	<ol style="list-style-type: none"> 1. Drene el tanque 2. Compre un secador
Aire sale por el orificio de entrada	<ol style="list-style-type: none"> 1. La válvula de entrada de la primera etapa está dañada (en los compresores de 2 etapas) 2. La válvula de entrada está dañada (en los compresores de una etapa) 	<ol style="list-style-type: none"> 1. Reemplace la válvula 2. Reemplace la válvula
Presión insuficiente	<ol style="list-style-type: none"> 1. Se requiere demasiado aire 2. Hay fugas u obstrucciones en las mangueras o tuberías 3. Las bandas están desajustadas 	<ol style="list-style-type: none"> 1. Limite el uso del aire 2. Chequee las mangueras y tuberías a ver si hay fugas o restricciones 3. Apriete las bandas
El tanque no mantiene la presión cuando el compresor está apagado y la válvula de cierre está cerrada	<ol style="list-style-type: none"> 1. La válvula de chequeo está desgastada 2. Chequee todas las conexiones a ver si están bien apretadas 3. Chequee el tanque a ver si está partido o tiene orificios 	<ol style="list-style-type: none"> 1. Reemplace la válvula de chequeo 2. Apriéte los 3. Reemplace el tanque. Nunca repare un tanque dañado
Desgaste excesivo de las bandas. (Es normal que se desboronen un poco al principio. Cuando se desgastan las bandas se separan en capas)	<ol style="list-style-type: none"> 1. La polea está desalineada 2. Las bandas están muy apretadas o muy flojas 	<ol style="list-style-type: none"> 1. Debe alinear la polea del motor 2. Ajuste la tensión
El tanque se demora en alcanzar la presión deseada	<ol style="list-style-type: none"> 1. El filtro de aire está dañado 2. El empaque de la culata del cilindro está dañada 3. La válvula de entrada/salida está desgastada/dañada 4. Hay fugas de aire 	<ol style="list-style-type: none"> 1. Limpie o reemplace el elemento del filtro 2. Cambie el empaque 3. Instale un ensamblaje nuevo de la placa de la válvula 4. Apriete las conexiones
La presión en el compresor aumenta demasiado rápido	Excessive water in tank	Drene el tanque, chequee la velocidad. Vea la tabla de rendimiento
La válvula de seguridad se abre mientras el compresor está funcionando	<ol style="list-style-type: none"> 1. Wrong pressure switch setting 2. Malfunctioning ASME safety valve 3. Pressure switch contacts welded 	<ol style="list-style-type: none"> 1. Ajuste a la presión menor de 9.7 bar para unidades de etapa única. (Vea la sección Funcionamiento) 2. Reemplace la válvula de seguridad ASME 3. Reemplace el presostato
El presostato expulsa aire continuamente pos la válvula de desfogue	Malfunctioning check valve	Reemplace la válvula de chequeo si la válvula de desfogue se activa constantemente
La válvula de desfogue del presostato no libera aire cuando la unidad se apaga	Malfunctioning unloader valve on pressure switch	Reemplace el presostato si la unidad no expulsa aire por un período corto cuando la apaga

⚠ PELIGRO

No desmonte la valvula de retencion con aire en el tanque.

GUÍA DE DIAGNÓSTICO DE AVERÍAS (CONTINUACIÓN)

PROBLEMA	POSIBLE(S) CAUSA(S)	ACCIÓN A TOMAR
El motor hace ruido y funciona lentamente o no funciona	1. Voltaje bajo o nulo	1. Check with voltmeter, check line voltage to unit. Si alguno de estos interruptores se desconectan constantemente, ubique el problema y corríjalo. Vea el próximo paso
	2. La bobina del motor tiene un cortocircuito o está desactivada	2. Reemplace el motor
	3. La válvula de chequeo o la válvula de desfogue están dañadas	3. Reemplace la válvula de chequeo o de desfogue
	4. El presostato está dañado - los contactos no cierran	4. Repare o reemplace el presostato
El sistema de encendido se desactiva constantemente o los fusibles se queman constantemente	1. El presostato está fijado a una presión muy alta	1. Ajústelo o reemplácelo
	2. La válvula de chequeo está dañada	2. Limpie o reemplace la válvula dañada
	3. Tamaño incorrecto de disyuntor/desconector	3. Asegúrese de que los disyuntores/desconectores sean de la capacidad apropiada
	4. El motor está dañado	4. Reemplace el motor
	5. Algún cable está desconectado	5. Revise todas las conexiones del sistema eléctrico

INSTRUCCIONES DE MANTENIMIENTO E INSPECCIÓN



⚠ ADVERTENCIA

Desconecte el cordón eléctrico, amárrelo y aléjelo del tomacorrientes, después libere toda la presión del tanque antes de tratar de instalar el compresor, darle servicio, moverlo de sitio o darle cualquier tipo de mantenimiento.

Para mantener el funcionamiento eficiente del sistema del compresor, chequee el filtro de aire y mida el nivel del aceite antes de cada uso. La válvula de seguridad ASME también se debe chequear a diario (Vea la Figura 9). Hále el anillo de la válvula de seguridad y déjelo que regrese de nuevo en su posición original. Esta válvula automáticamente libera el aire del tanque, si la presión excede el nivel máximo fijado de fábrica. Si hay una fuga de aire después que ha soltado el anillo, o si la válvula está atascada y no la puede activar con el anillo, deberá reemplazar la válvula de seguridad ASME.

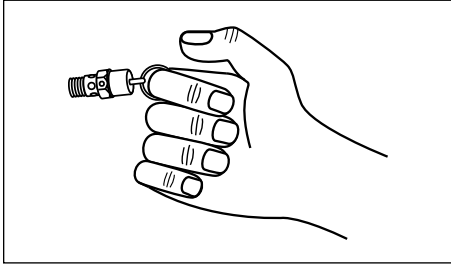


Figura 9 - Válvula de seguridad ASME

⚠ ADVERTENCIA

No modifique la válvula de retención ASME.

Tanque

⚠ ADVERTENCIA

¡Nunca trate de reparar o modificar el tanque! Si lo suelda, taladra o modifica de cualquier otra manera, el tanque se debilitará y se podría dañar al romperse o explotar. Siempre reemplace los tanques desgastados, rotos o dañados.



AVISO

Drene el líquido del tanque diariamente.

El tanque se debe inspeccionar cuidadosamente por lo menos una vez al año. Cerciórese de que no haya ranuras en las soldaduras. De haberlas, libere la presión del tanque inmediatamente y reemplácelo.

Lubricación del Compresor

Vea la sección de Funcionamiento Añádale aceite al cabezal cuando sea necesario. Debe cambiar el aceite y el filtro cada 3 meses o después de 200 horas de funcionamiento; lo que ocurra primero.

Si el compresor se utiliza bajo condiciones húmedas por períodos cortos, la humedad se condensará en la caja del cigüeñal y ocasionará que el aceite luzca cremoso. El aceite contaminado por el agua no le proveerá la lubricación adecuada y lo debe cambiar inmediatamente. Si usa aceite contaminado, los cojinetes, pistones, cilindros y anillos se dañarán y estos daños no están cubiertos por la garantía. Para evitar la condensación del agua en el aceite, haga funcionar periódicamente el compresor con una presión de tanque cercana a 8.3 bar para compresores de etapa única abriendo la válvula de purga o una válvula de aire conectada al tanque o la manguera. Deje que el cabezal funcione por una hora en estas condiciones por lo menos una vez a la semana, o con más frecuencia, en caso de que el problema ocurra.

IMPORTANTE: Cámbiele el aceite después de 50 horas de operación.

Filtro de aire

Nunca utilice el cabezal del compresor sin instalarle el filtro de la entrada de aire o con un filtro obstruido. El elemento del filtro de aire debe verificarse mensualmente (ver Figura 10). Si utiliza el compresor con el filtro sucio, podría aumentar el consumo de aceite y la contaminación con aceite del aire expulsado. Si el filtro de aire está sucio, debe reemplazarse.

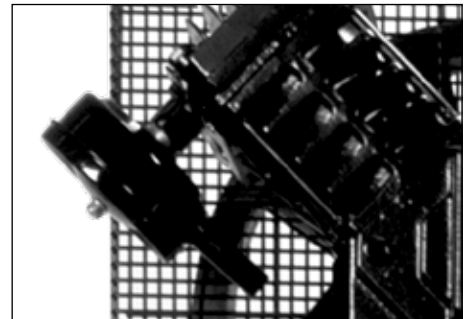


Figura 10 - Filtro de aire

INSTRUCCIONES DE MANTENIMIENTO E INSPECCIÓN (CONTINUACIÓN)

Componente

Corte el suministro eléctrico y limpie la cabeza del cilindro, el motor, las aspas del ventilador, las líneas de aire, el enfriador posterior y el tanque una vez al mes.

Correa



ADVERTENCIA

Apague el compresor, cerciéndose de que el interruptor no se pueda activar y después libere la presión del tanque, para evitar que la unidad se mueva sin previo aviso.

Chequee la tensión de las bandas cada 3 meses. Ajuste la tensión de las bandas para permitir una deflexión de 9,5 mm a 12,7 mm (3/8 pulg - 1/2 pulg) al ejercer una presión normal con el dedo. Igualmente, debe alinear las bandas usando como referencia un objeto recto que toque el volante y dos puntos del borde a ambos lados del volante. Las bandas deben estar paralelas a esta línea recta de referencia (vea la Figura 11). Las distancias A, B y C deben ser iguales para asegurar que las bandas estén alineadas adecuadamente. Las ranuras en la base le permiten mover el motor, en ambas direcciones, para ajustar la tensión de las bandas.

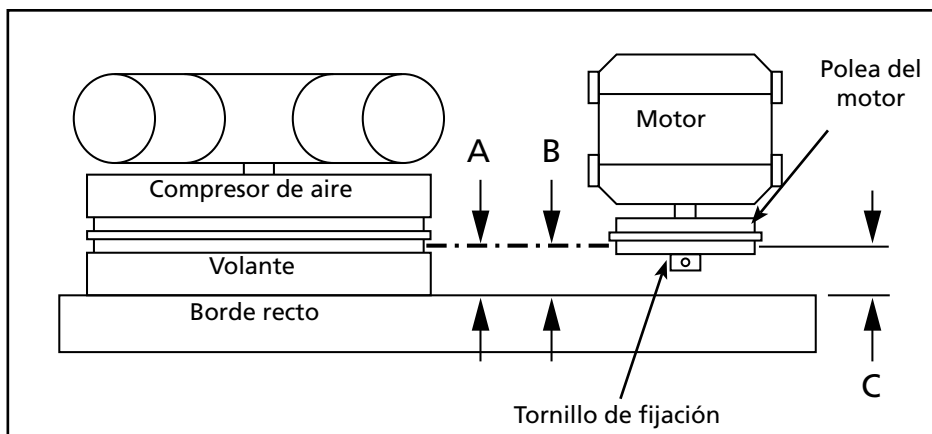


Figura 11 - Vista superior

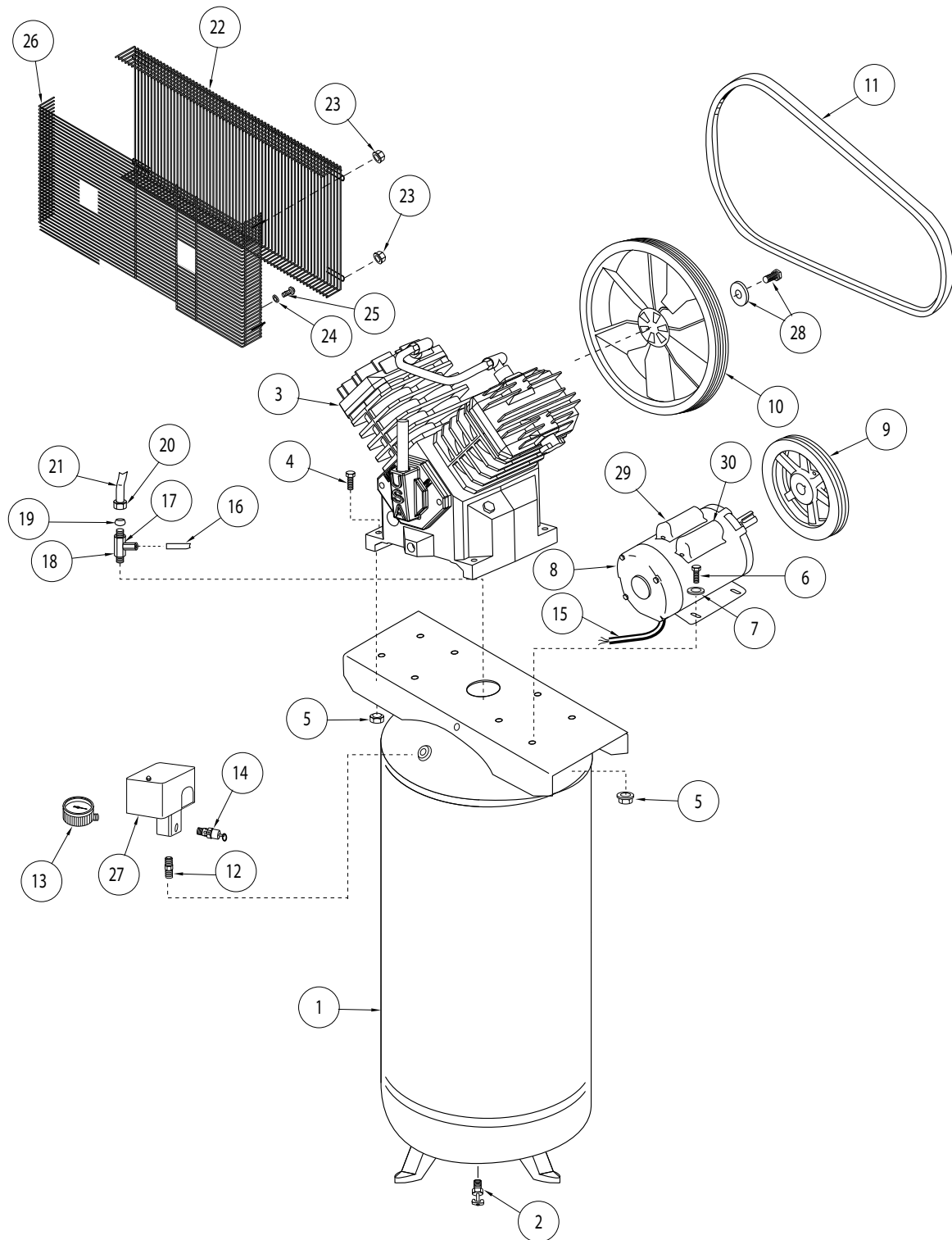
Almacenamiento

Si va a almacenar el compresor por un período corto, cerciéndose de que esté en su posición normal y en un área fría y bien protegida.

Programa De Mantenimiento

SERVICIO NECESARIO	DIARIAMENTE	MENSUALMENTE	TRIMESTRALMENTE
Chequee la válvula de seguridad	●		
Drene el tanque (Vea la Figura 8)	●		
Mida el nivel de aceite	●		
Limpie o cambie el filtro de aire		●	
Chequee el sistema de enfriamiento interno		●	
Limpie los componentes		●	
Chequee la tensión de las bandas			●
Cambie el aceite (Vea la Figura 6)			●

ILUSTRACION DE LAS PARTES DE REPARACION PARA CE4104 Y TQ3104



**Para reparación de partes, visite www.campbellhausfeld.com
24 horas al día, 365 días al año**

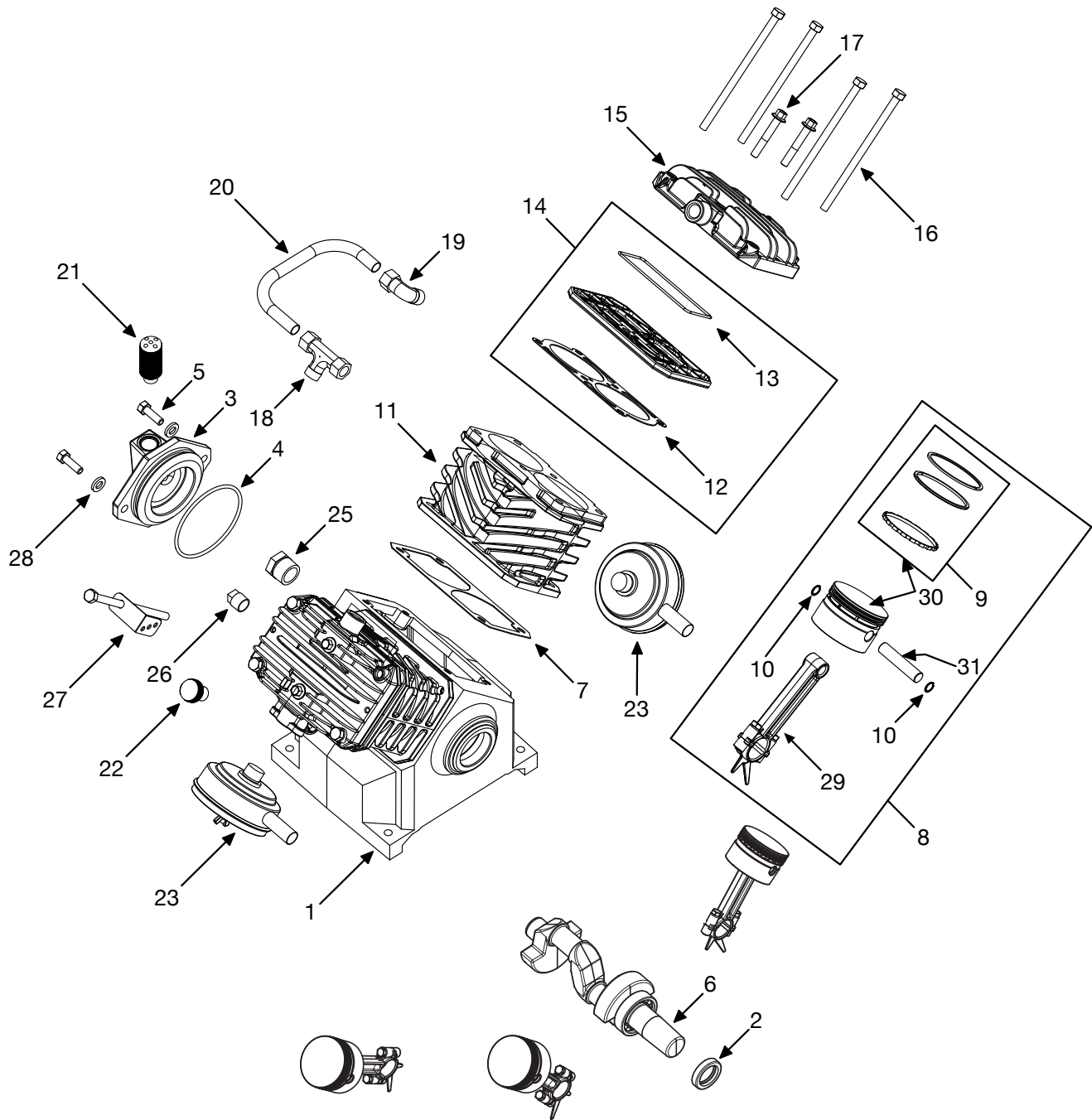
Por favor proporcione la siguiente información:

- Número de modelo
- Número de serie (si lo tiene)
- Descripción de la parte y número que le corresponde en la lista de partes

LISTA DE PARTES DE REPARACION PARA CE4104 Y TQ3104

No. de Ref.	Descripción	Número de Parte:	Cant.
1	TANQUE DE AIRE	AG232401CG	1
2	VÁLVULA DE DRENAJE	ST127700AV	1
3	BOMBA DE COMPRESOR DE AIRE CON VOLANTE	TQ3010	1
4	PERNO HEXAGONAL DE 5/16 PULG. - 18 X 1-1/2 PULG.	†	4
5	CONTRATUERCA DE 5/16 PULG. - 18	†	8
6	PERNO HEXAGONAL DE 5/16 PULG. - 18 X 3/4 PULG.	†	
7	ARANDELA DE 5/16 PULG.	†	4
8	MOTOR ELÉCTRICO	MC035700AV	1
9	POLEA DEL MOTOR	PU017001AV	1
10	VOLANTE	PU017100AV	1
11	CORREA	BT013101AV	1
12	NIPLE PARA TUBERÍAS	HF002401AV ▲	1
13	MANÓMETRO	GA031900AV ▲	1
14	VÁLVULA DE SEGURIDAD	V-215105AV ▲	1
15	CORDÓN ELÉCTRICO	EC014800AV	1
16	TUBO DE DESCARGA	ST117802AV	1
17	CONECTOR A PRESIÓN	ST081301AV	1
18	VÁLVULA DE RETENCIÓN	CV223300AV	1
19	MANGA DE COMPRESIÓN 12,7 MM (1/2 PULG.)	ST032900AV	1
20	TUERCA DE COMPRESIÓN DE 12,7 MM (1/2 PULG.)	ST033001AV	1
21	TUBO DE DESCARGA	TQ901600AP	1
22	TAPA FRONTAL DE LAS CORREAS	BG307400AV	1
23	TUERCA DE BRIDA HEXAGONAL 10 - 24	ST116201AV	5
24	ARANDELA DE 7,9 MM (5/16 PULG.)	ST011200AV	2
25	TORNILLO AUTORROSCANTE DE 5/16 PULG.	ST016500AV	4
26	TAPA POSTERIOR DE LA CORREA	BG307500AV	1
27	INTERRUPTOR DE PRESIÓN (CON VÁLVULA DE DESCARGA)	CW212201AV ▲	1
28	EQUIPO SUJETADOR PARA VOLANTE	TQ901400AV	1
29	CAPACITOR DE ARRANQUE	MC507025AV	1
30	CAPACITOR DE OPERACIÓN	MC506912AV	1
	CALCOMANÍA DE ADVERTENCIA (NO SE MUESTRA)	DK747600AV	1
	VÁLVULA DE DESCARGA DEL INTERRUPTOR DE PRESIÓN (NO SE MUESTRA)	CW210001AV ▲	1
	CUBIERTA DEL INTERRUPTOR DE PRESIÓN (NO SE MUESTRA)	CW217800AV ▲	1
▲	ENSAMBLAJE DEL INTERRUPTOR DE PRESIÓN MULTI-PUERTO		
--	NO DISPONIBLE		
†	ARTÍCULO DISPONIBLE EN FERRETERÍAS LOCALES		

ILUSTRACION DE LAS PARTES DE REPARACION PARA TQ3010



**Para reparación de partes, visite www.campbellhausfeld.com
24 horas al día, 365 días al año**

Por favor proporcione la siguiente información:

- Número de modelo
- Número de serie (si lo tiene)
- Descripción de la parte y número que le corresponde en la lista de partes

LISTA DE PARTES DE REPARACION PARA TQ3010

No. de Ref.	Descripción	Número de Parte:	Cant.
1	CAJA DEL CIGÜEÑAL	TQ010001AV	1
2	SELLO DEL SISTEMA DE LUBRICACIÓN	ST120000AV	1
3	TAPA DE LOS COJINETES	TQ010201AV	1
4	ANILLO EN O	●	1
5	TORNILLO DE CABEZA HEXAGONAL M8 X 3,18 CM X 25 MM	†	2
6	CIGÜEÑAL Y ENSAMBLAJE DEL COJINETE	TQ900201AJ	1
7	EMPAQUE DE LA CAJA DEL CIGÜEÑAL	●	2
8	ENSAMBLAJE DE LA BARRA CONECTORA	■	4
9	JUEGO DE ANILLOS DEL PISTÓN (DOS JUEGOS)	VT911200AV ■	2
10	ANILLO DE RETENCIÓN INTERNO	■	8
11	CILINDRO	VT040915AV	2
12	JUNTA DEL CILINDRO	●	2
13	ANILLO EN O MOLDEADO DE SECCIÓN	●	2
14	KIT DE PLACA DE VÁLVULA	VT470800AJ	2
15	CABEÇA DO CILINDRO	▲	2
16	TORNILLO DE CABEZA HEXAGONAL M8 X 150 MM	▲	8
17	TORNILLO DE CABEZA CON PESTAÑA	▲	4
18	CONEXIÓN EN T DE SALIDA	TQ901100AV	1
19	CONEXIÓN ACODADA DE SALIDA	TQ901200AV	1
20	TUBO DE ESCAPE	TQ901300AV	1
21	RESPIRADERO	VH901100AV	1
22	TAPÓN DEL ORIFICIO DE LLENADO DE ACEITE	VH900800AV	1
23	FILTRO DE AIRE CON ELEMENTO	VH901700AV	2
24 ▼	ELEMENTO DEL FILTRO DE AIRE ÚNICAMENTE	VH901800AV	2
25	VENTANILLA	VH901000AV	1
26	TAPÓN DE LA TUBERÍA DE 6,4 MM (1/4 PULG.) NPT	ST072915AV	1
27	SOPORTE DE PROTECTOR DE CORREA	TQ012000AV	1
28	ARANDELA DE BRONCE	ST070925AV	2
29	BARRA CONECTORA	TQ010901AJ	4
30	PISTÓN CON JUEGO DE ANILLOS	TQ901700AV	4
31	JUEGO DE PASADORES DE ARTICULACIÓN (INCLUYE N.º 10 (2))	TQ901800AV	4
JUEGOS DE REPUESTOS			
▲	CULATA DEL CILINDRO Y KIT DE SUJETADORES	TQ900800AJ	
■	JUEGO DEL ENSAMBLE DE BIELA / ANILLO DEL PISTÓN	TQ901500AV	
●	JUEGO DE EMPAQUES	TQ901001AJ	
▼	NO SE MUESTRA		
†	ARTÍCULO ESTÁNDAR DE FERRETERÍA		



Recordatorio: ¡Guarde su comprobante de compra con fecha para fines de la garantía! Adjúntela a este manual o archívela en lugar seguro.

GARANTÍA LIMITADA

1. **DURACIÓN:** La bomba del compresor y el receptor de aire tienen una garantía de tres años a partir de la fecha de compra del comprador original. El equilibrio del paquete del compresor tiene una garantía de tres años a partir de la fecha de compra del comprador original.
2. **QUIEN OTORGA ESTA GARANTÍA (EL GARANTE:** Campbell Hausfeld a Marmon/Berkshire Hathaway Company, 100 Production Drive, Harrison, Ohio 45030. Visite www.campbellhausfeld.com
3. **QUIEN RECIBE ESTA GARANTÍA (EL COMPRADOR):** El comprador original (sin fines de reventa) del compresor de aire Campbell Hausfeld.
4. **PRODUCTOS CUBIERTOS POR ESTA GARANTÍA:** Compresores de aire Campbell Hausfeld series CE4104 y TQ3104.
5. **COBERTURA DE LA GARANTÍA:** Piezas y mano de obra para remediar los defectos de material y/o mano de obra con excepción de lo que se indica a continuación.
6. **LO QUE NO ESTÁ CUBIERTO POR ESTA GARANTÍA:**
 - A. Las garantías implícitas, incluyendo aquéllas de comerciabilidad e IDONEIDAD PARA FINES PARTICULARES, ESTÁN LIMITADAS A PARTIR DE LA FECHA DE COMPRA ORIGINAL DE ACUERDO CON LO ESPECIFICADO EN EL PÁRRAFO DE DURACIÓN. En algunos estados no se permiten las limitaciones a la duración de una garantía implícita, por lo cual las limitaciones antedichas pueden no ser aplicables en su caso.
 - B. CUALQUIER PÉRDIDA DAÑO INCIDENTAL, INDIRECTO O CONSECUENTE QUE PUEDA RESULTAR DE UN DEFECTO, FALLA O MALFUNCIONAMIENTO DEL PRODUCTO CAMPBELL HAUSFELD. En algunos estados no se permite la exclusión o limitación de daños incidentales o consecuentes, por lo tanto, en tales casos esta limitación o exclusión no es aplicable
 - C. Cualquier falla debida a:
 1. Accidente o abuso del comprador
 2. Instalación incorrecta
 3. Equipo que no ha sido operado o mantenido de acuerdo con las instrucciones detalladas de Campbell Hausfeld según lo detallado en el manual de operaciones que se entrega con el compresor.
 4. Equipo que ha sido reparado o modificado sin autorización de Campbell Hausfeld.
 - D. Los servicios requeridos antes de la entrega tales como: ensamblaje, aceite o lubricantes y ajustes.
 - E. Los efectos del uso y desgaste normales.
 - F. Los motores de gasolina están específicamente excluidos de la cobertura de esta garantía limitada. El comprador debe seguir las cláusulas de la garantía otorgada por el fabricante del motor de gasolina que se suministra con el producto.
 - G. Equipo que ha sido dañado en el tránsito.
7. **RESPONSABILIDADES DEL GARANTE BAJO ESTA GARANTÍA:** Reparar o reemplazar, como lo decida el Garante, el compresor o componentes que estén defectuosos, se hayan dañado o hayan dejado de funcionar adecuadamente, durante el período de validez de la garantía. Las reparaciones cubiertas por la garantía se realizarán en la ubicación del comprador.
8. **RESPONSABILIDADES DEL COMPRADOR BAJO ESTA GARANTÍA:**
 - A. Suministrar prueba fechada de compra y la historia de mantenimiento del producto.
 - B. Tener cuidado al utilizar el producto, tal como se indica(n) en el (los) manual(es) del propietario.
 - C. Reparaciones que requieran tiempo adicional al horario normal de trabajo, o cualquier asunto que exceda la tarifa normal de reembolso por mano de obra para reparaciones bajo la garantía del fabricante.
 - D. El tiempo requerido por cualquier control de seguridad, capacitación relacionada con seguridad, o asuntos similares necesarios para que el personal de servicio pueda tener acceso a las instalaciones.
 - E. La ubicación de la unidad debe tener espacio suficiente para que el personal de servicio pueda realizar reparaciones y debe ser fácilmente accesible.
9. **CUÁNDO EFECTUARÁ EL GARANTE LA REPARACIÓN O REEMPLAZO CUBIERTO BAJO ESTA GARANTÍA:** La reparación o reemplazo dependerá del flujo normal de trabajo del centro de servicio y de la disponibilidad de repuestos.

Esta garantía limitada es válida sólo en los EE.UU., Canadá y México y otorga derechos legales específicos. Usted también puede tener otros derechos que varían de un Estado a otro, o de un país a otro.